

Narva Judo Cup 2014 13.09.2014 D-50

Competitors: 3

Competitors

| # | Name | Club | 1 | 2 | 3 | Wins | Pts | Pos |
|---|---------------|----------|----|---|---|------|-----|-----|
| 1 | ZAITSEV Vadim | Kibuvits | | | | 0 | 0 | 3 |
| 2 | URSAKI Ruslan | Kibuvits | 10 | | | 1 | 10 | 2 |
| 3 | PAVLOV Roman | Pskov | 10 | 7 | | 2 | 17 | 1 |

Matches

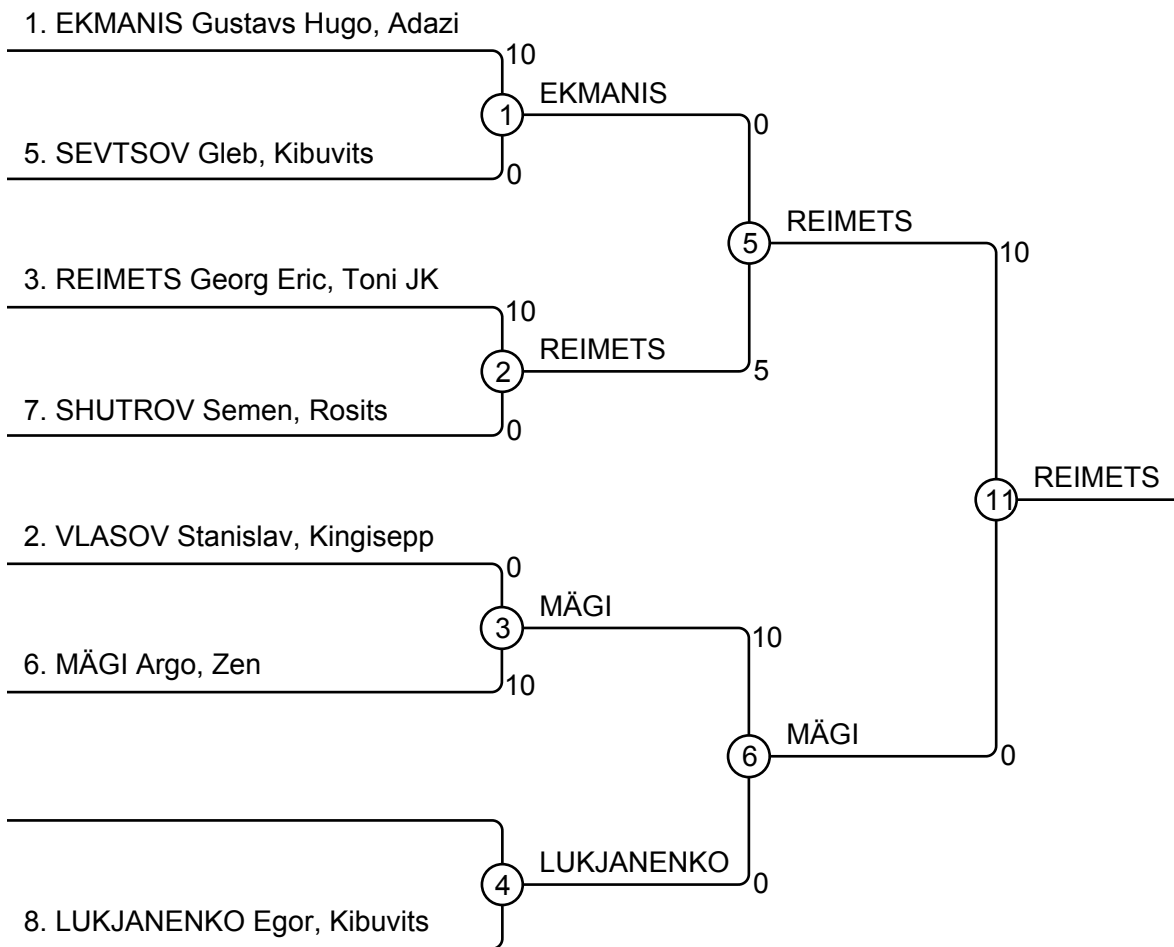
| Match | White | | | Blue | Result | Time |
|-------|---------------|---|---|---------------|--------|------|
| 1 | ZAITSEV Vadim | 1 | 2 | URSAKI Ruslan | 0 - 10 | 0:27 |
| 2 | ZAITSEV Vadim | 1 | 3 | PAVLOV Roman | 0 - 10 | 1:20 |
| 3 | URSAKI Ruslan | 2 | 3 | PAVLOV Roman | 0 - 7 | 2:00 |

Results

| Pos | Name |
|-----|-------------------------|
| 1 | PAVLOV Roman, Pskov |
| 2 | URSAKI Ruslan, Kibuvits |
| 3 | ZAITSEV Vadim, Kibuvits |

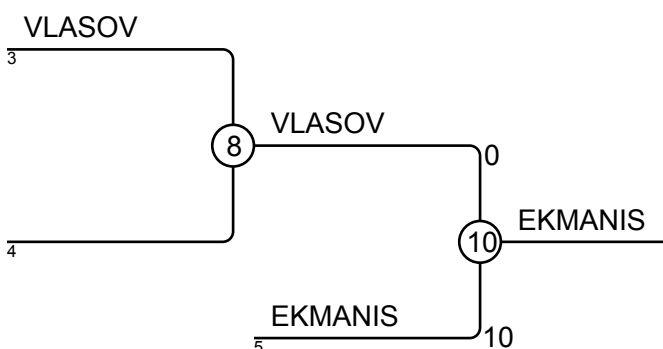
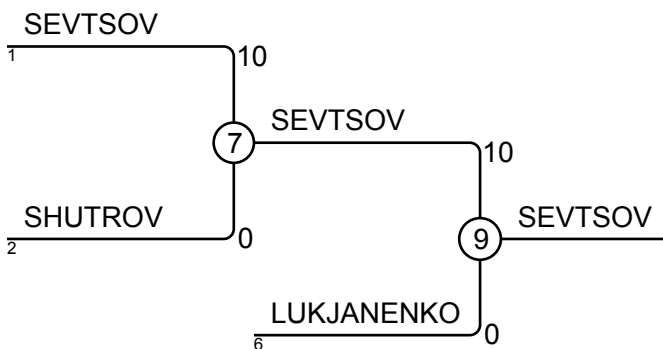
Narva Judo Cup 2014 13.09.2014 D-46

Competitors: 7



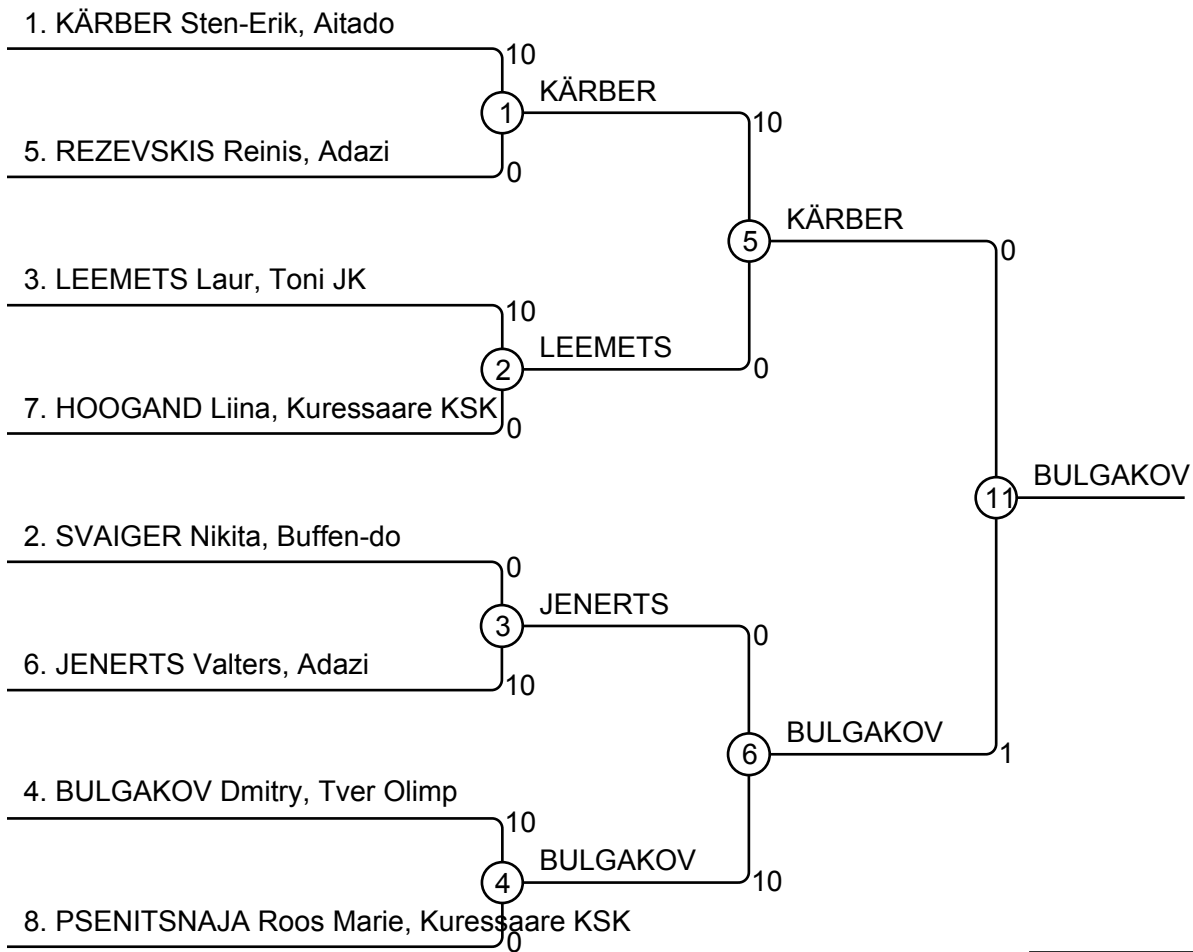
Results

| Pos | Name |
|-----|------------------------------|
| 1 | REIMETS Georg Eric, Toni JK |
| 2 | MÄGI Argo, Zen |
| 3 | SEVTSOV Gleb, Kibuvits |
| 3 | EKMANNIS Gustavs Hugo, Adazi |
| 5 | LUKJANENKO Egor, Kibuvits |
| 5 | VLASOV Stanislav, Kingisepp |
| 7 | SHUTROV Semen, Rosits |
| 7 | |



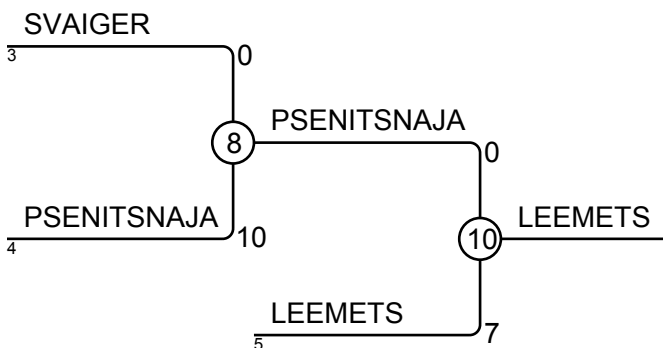
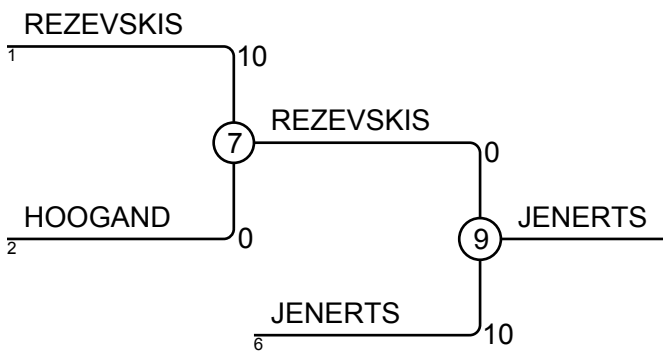
Narva Judo Cup 2014 13.09.2014 D-42

Competitors: 8



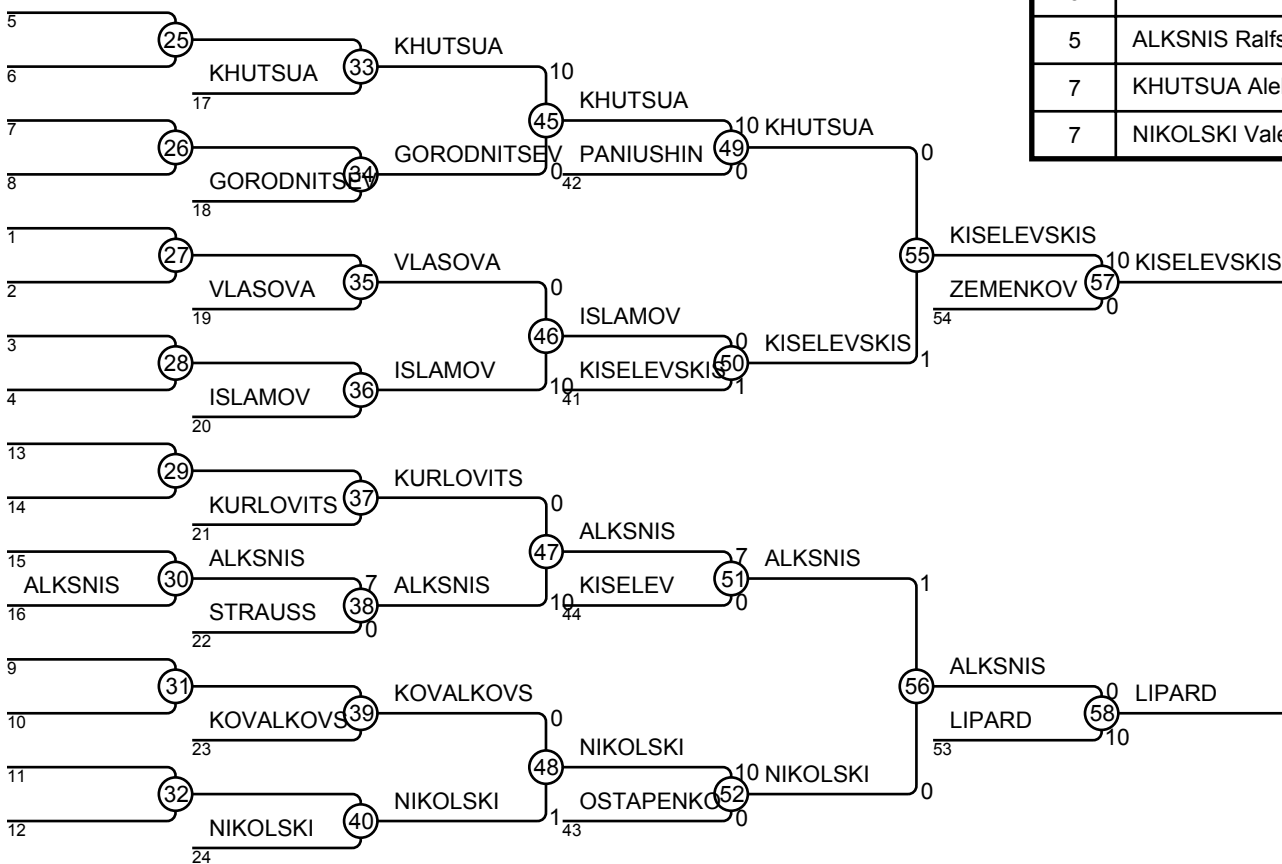
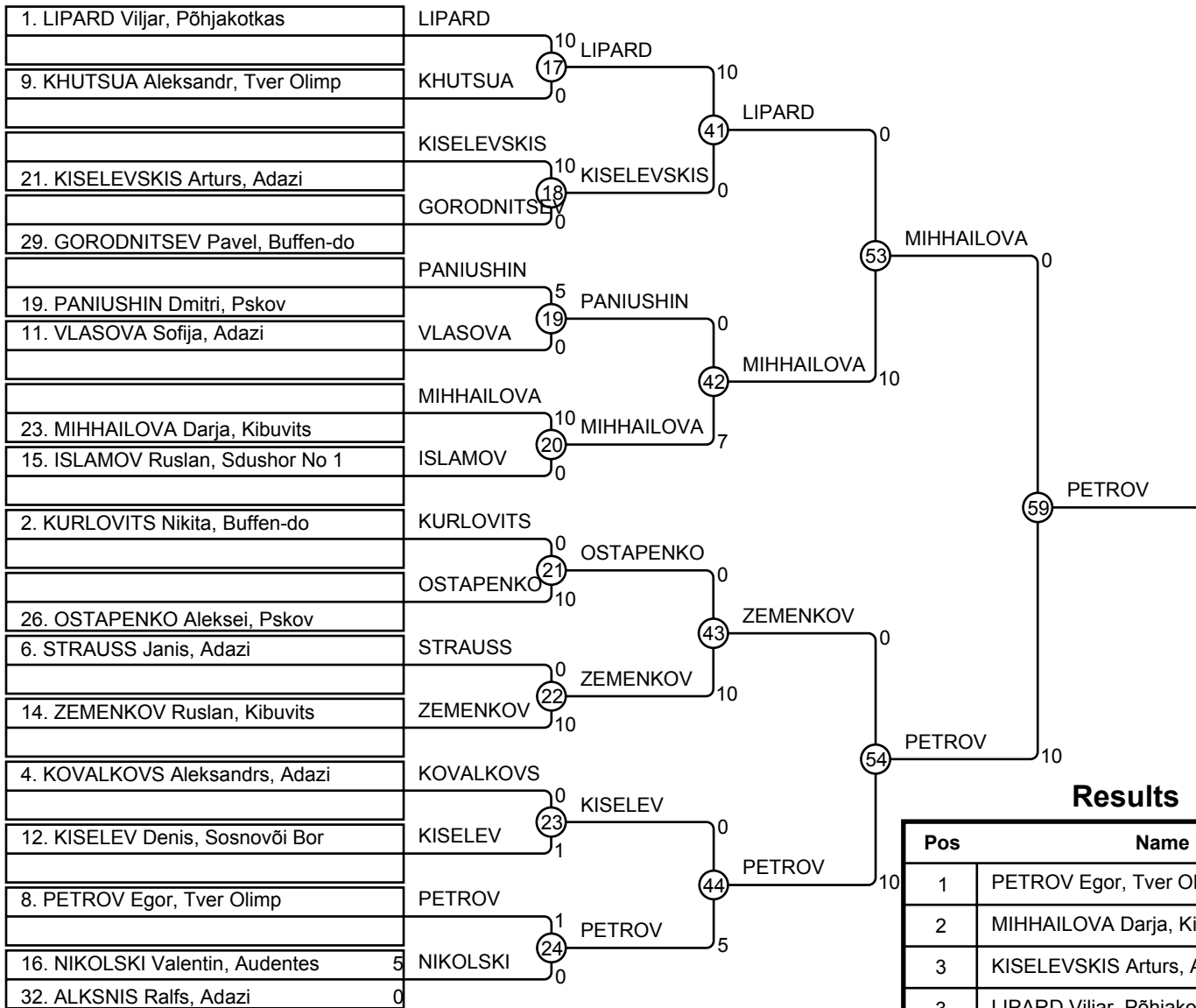
Results

| Pos | Name |
|-----|--|
| 1 | BULGAKOV Dmitry, Tver Olimp |
| 2 | KÄRBER Sten-Erik, Aitado |
| 3 | JENERTS Valters, Adazi |
| 3 | LEEMETS Laur, Toni JK |
| 5 | REZEVSKIS Reinis, Adazi |
| 5 | PSENITSNAJA Roos Marie, Kuressaare KSK |
| 7 | HOOGAND Liina, Kuressaare KSK |
| 7 | SVAIGER Nikita, Buffen-do |



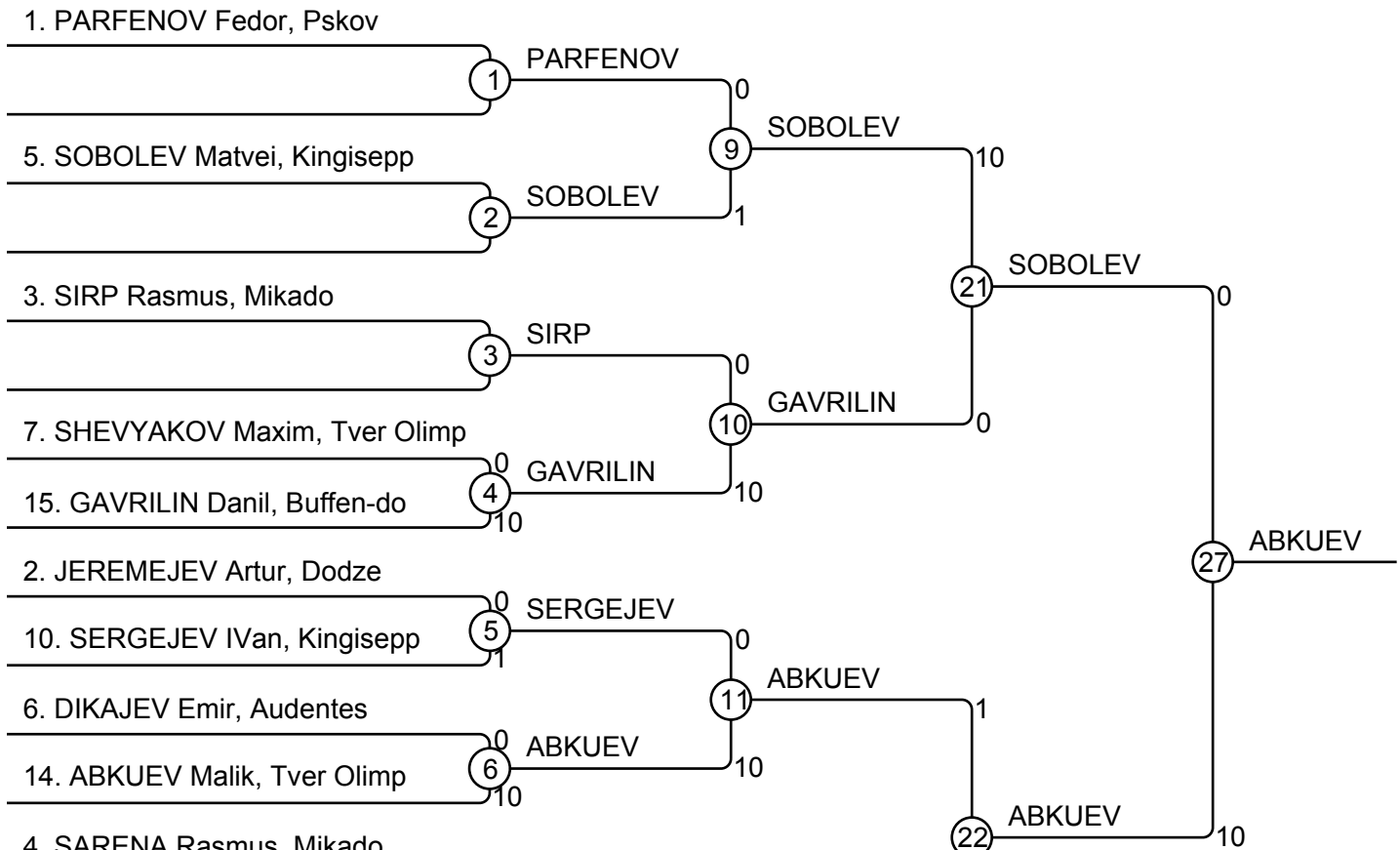
Narva Judo Cup 2014 13.09.2014 D-38

Competitors: 17



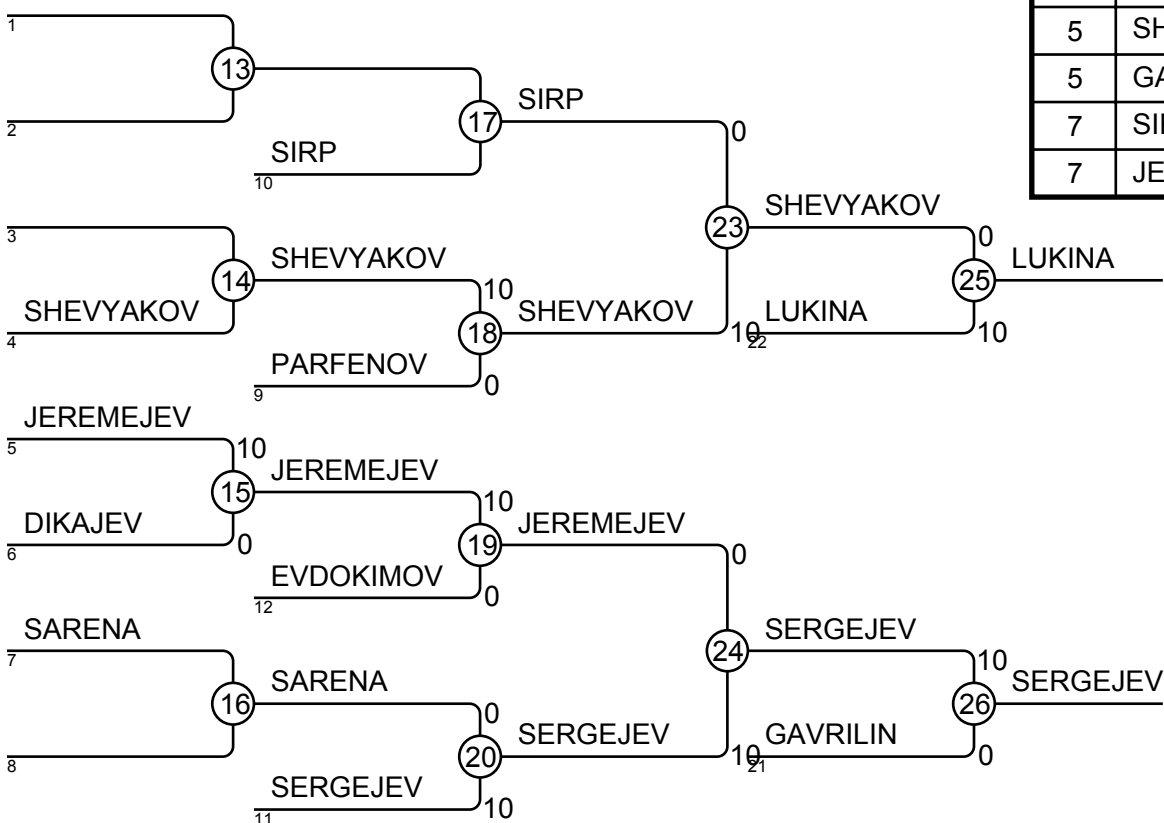
Narva Judo Cup 2014 13.09.2014 D-34

Competitors: 12



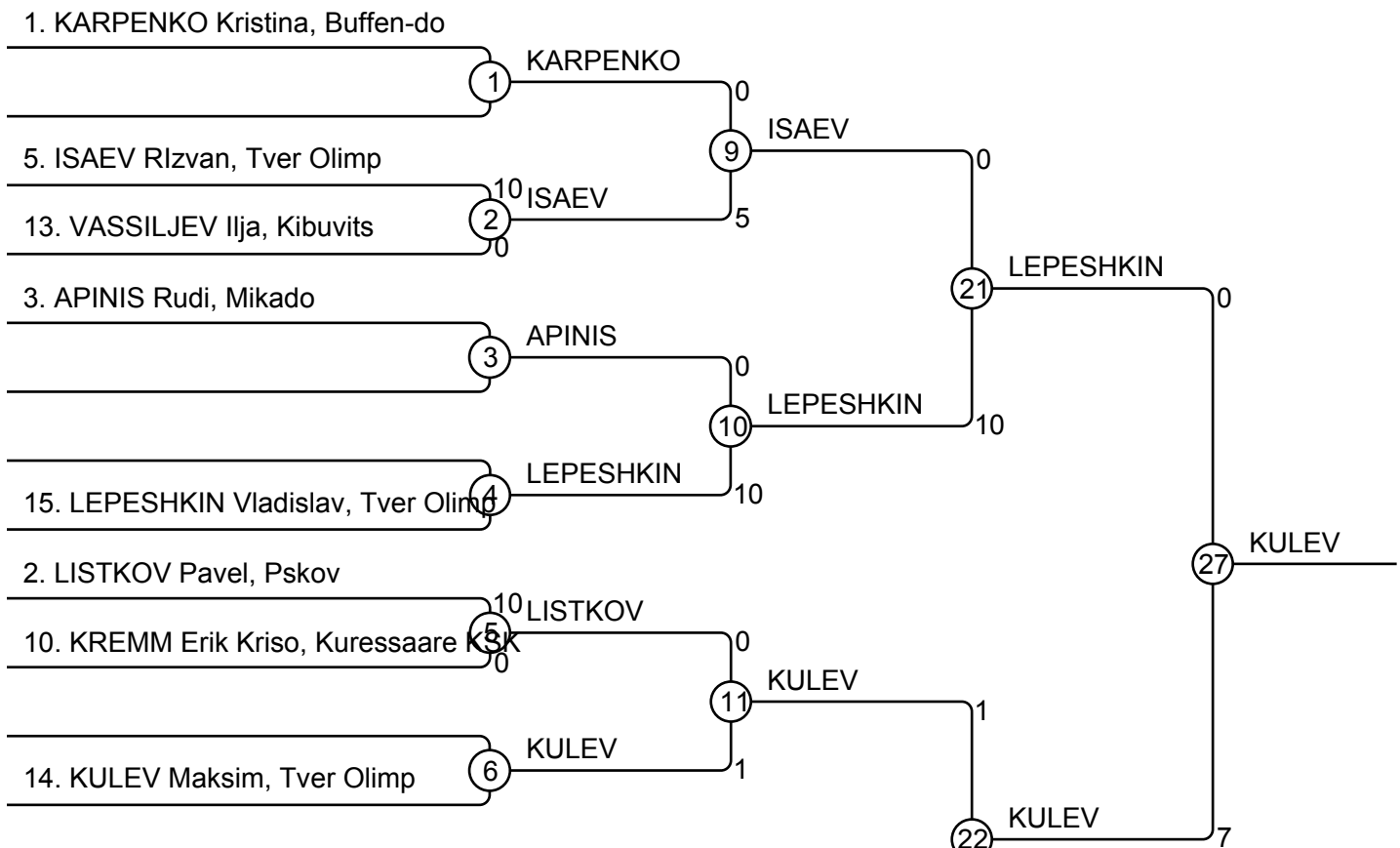
Results

| Pos | Name |
|-----|-----------------------------|
| 1 | ABKUEV Malik, Tver Olimp |
| 2 | SOBOLEV Matvei, Kingisepp |
| 3 | LUKINA Julia, St.Petersburg |
| 3 | SERGEJEV IVan, Kingisepp |
| 5 | SHEVYAKOV Maxim, Tver Olimp |
| 5 | GAVRILIN Danil, Buffen-do |
| 7 | SIRP Rasmus, Mikado |
| 7 | JEREMEJEV Artur, Dodze |



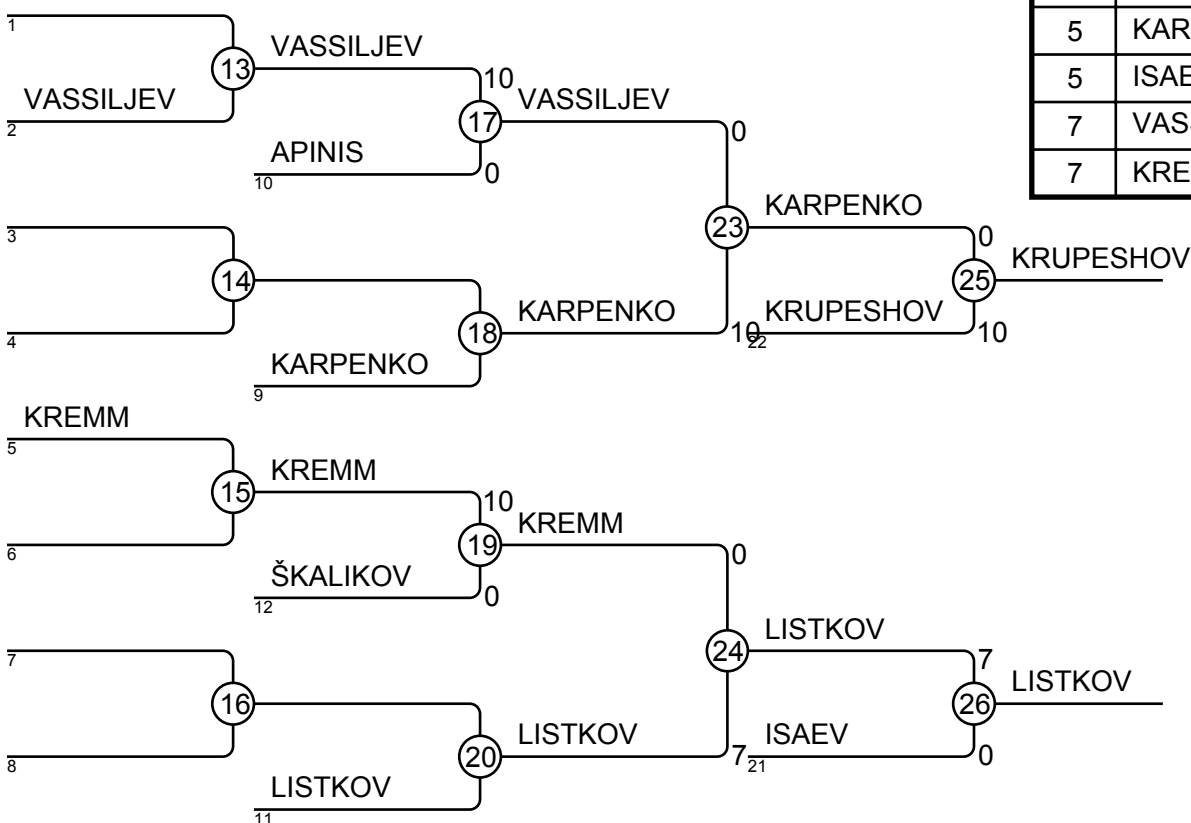
Narva Judo Cup 2014 13.09.2014 D-30

Competitors: 10



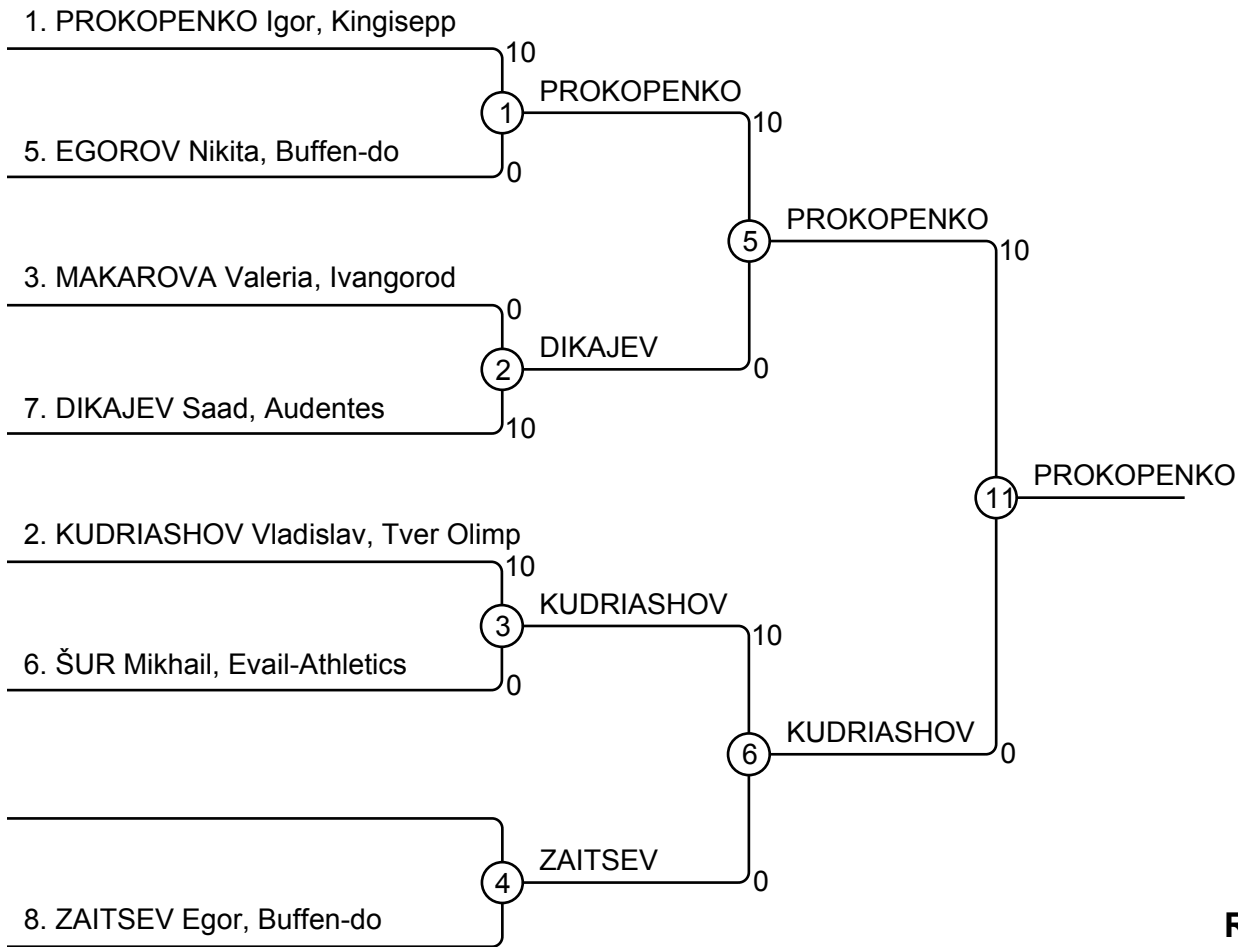
Results

| Pos | Name |
|-----|----------------------------------|
| 1 | KULEV Maksim, Tver Olimp |
| 2 | LEPESHKIN Vladislav, Tver Olimp |
| 3 | KRUPESHOV Ivan, Tver Olimp |
| 3 | LISTKOV Pavel, Pskov |
| 5 | KARPENKO Kristina, Buffen-do |
| 5 | ISAEV Rizvan, Tver Olimp |
| 7 | VASSILJEV Ilja, Kibuvits |
| 7 | KREMM Erik Kriso, Kuressaare KSK |



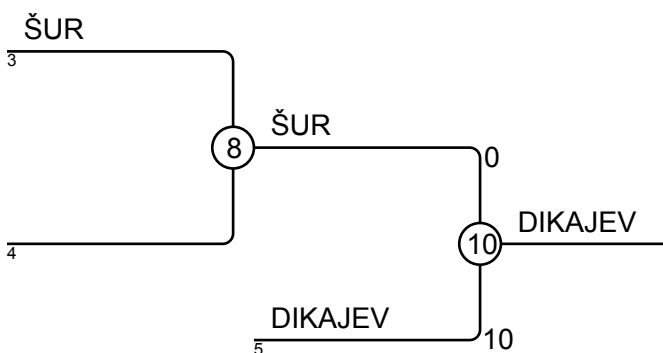
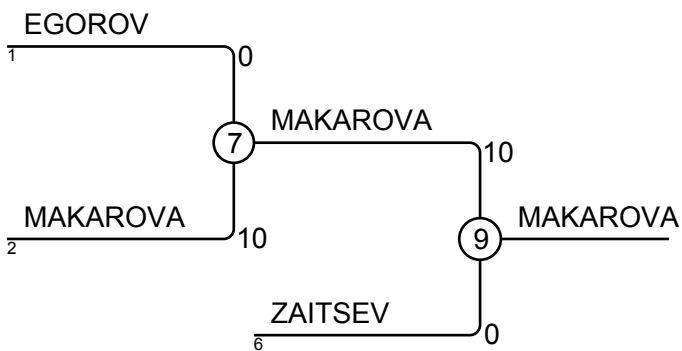
Narva Judo Cup 2014 13.09.2014 D-27

Competitors: 7



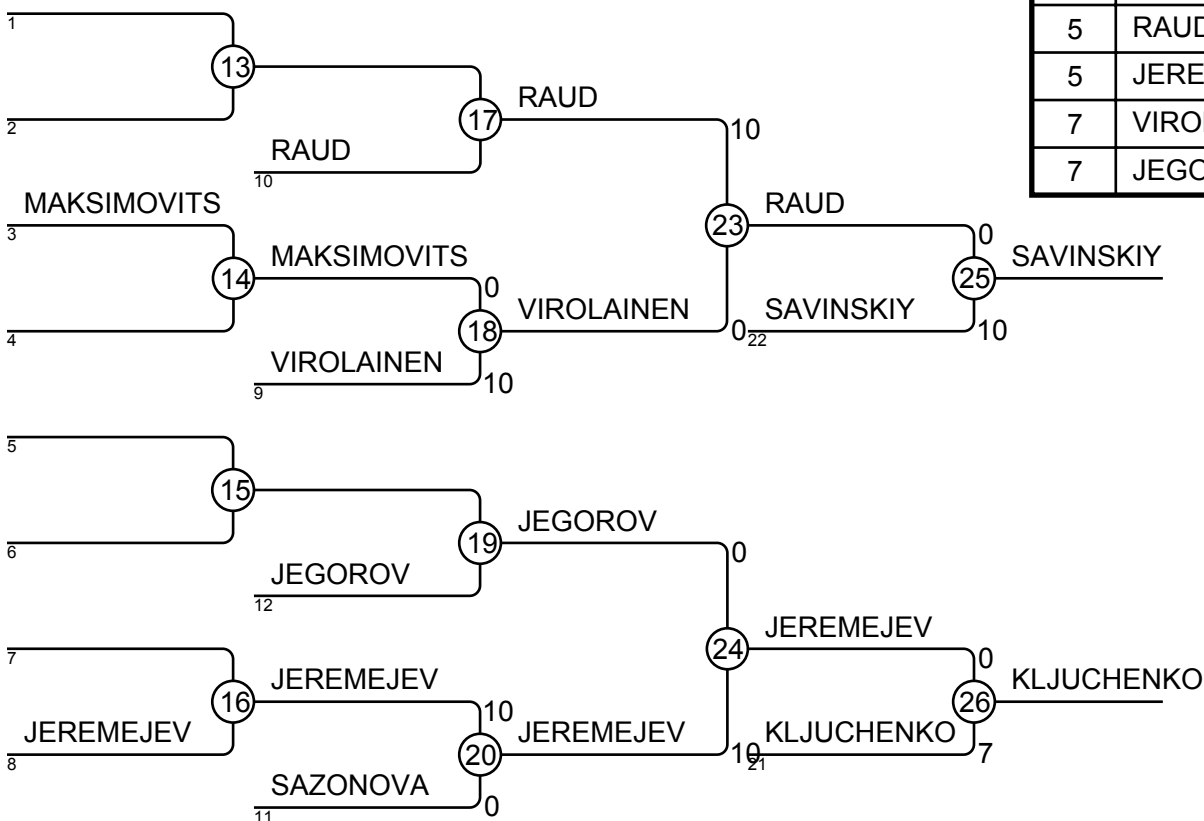
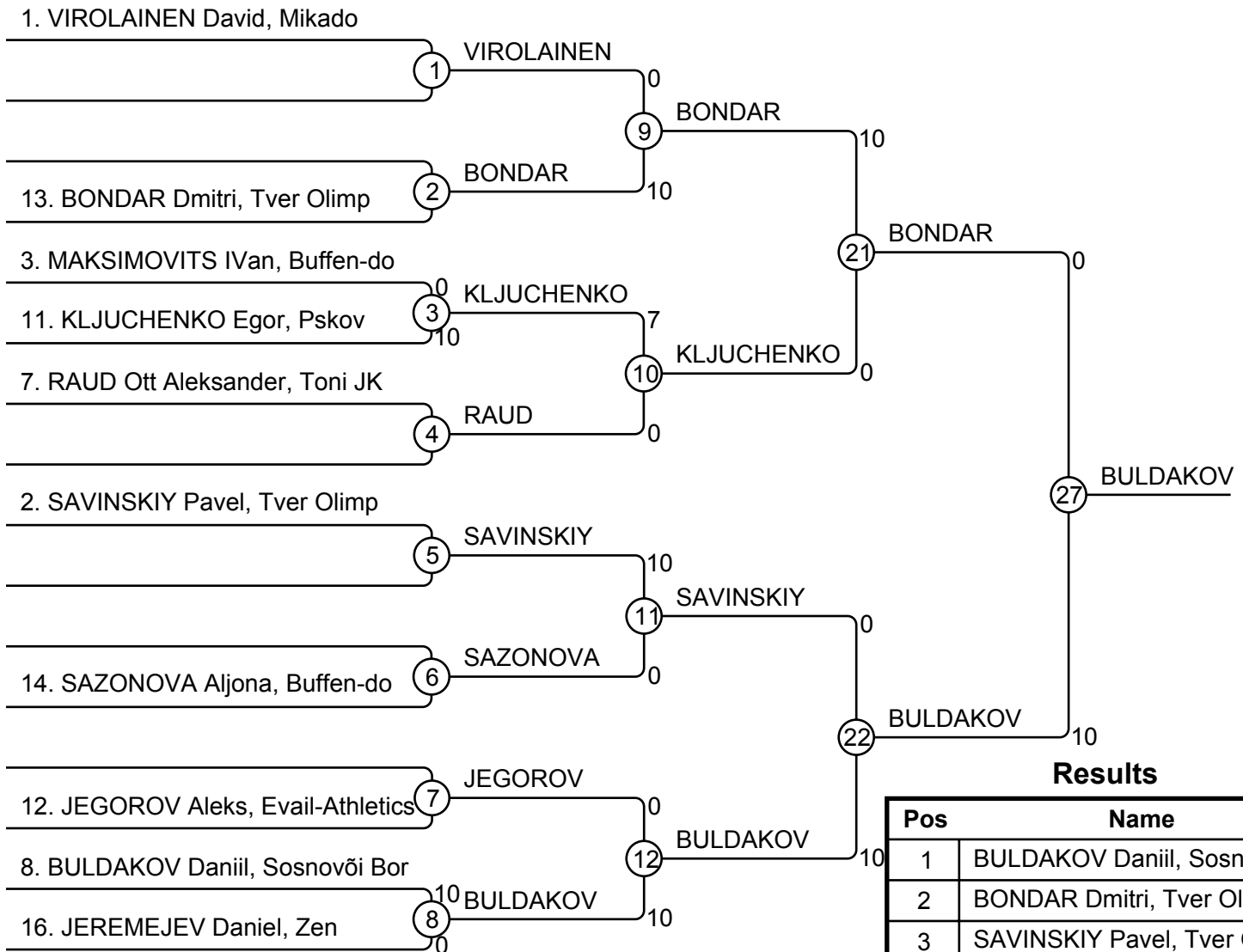
Results

| Pos | Name |
|-----|----------------------------------|
| 1 | PROKOPENKO Igor, Kingisepp |
| 2 | KUDRIASHOV Vladislav, Tver Olimp |
| 3 | MAKAROVA Valeria, Ivangorod |
| 3 | DIKAJEV Saad, Audentes |
| 5 | ZAITSEV Egor, Buffen-do |
| 5 | ŠUR Mikhail, Evail-Athletics |
| 7 | EGOROV Nikita, Buffen-do |
| 7 | |



Narva Judo Cup 2014 13.09.2014 D-25

Competitors: 10



Narva Judo Cup 2014 13.09.2014 D+50

Competitors: 5

Competitors

| # | Name | Club | 1 | 2 | 3 | 4 | 5 | Wins | Pts | Pos |
|---|-------------------|----------|----|---|---|---|----|------|-----|-----|
| 1 | PÄÄREN Karl-Alex | Mikado | | | | | | 0 | 0 | 5 |
| 2 | GAILITIS Klavs | Adazi | 10 | | | 1 | 10 | 3 | 21 | 2 |
| 3 | DRANCHIKOV Ivan | Pskov | 10 | 1 | | 5 | 5 | 4 | 21 | 1 |
| 4 | ROOSTFELDT Patrik | Aitado | 10 | | | | 10 | 2 | 20 | 3 |
| 5 | MERKUSEV Martin | Kibuvits | 10 | | | | | 1 | 10 | 4 |

Matches

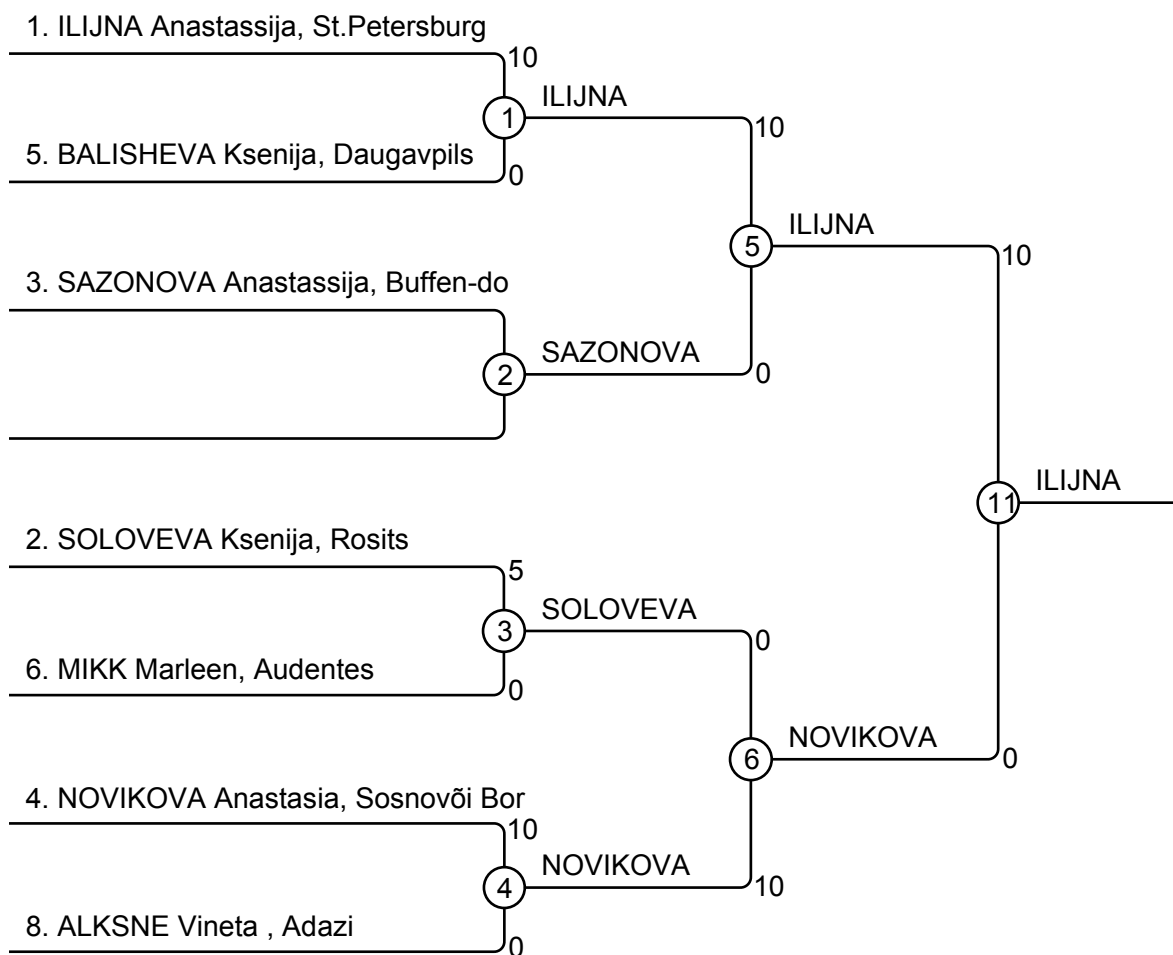
| Match | White | | Blue | | Result | Time |
|-------|-------------------|---|------|-------------------|--------|------|
| 1 | ROOSTFELDT Patrik | 4 | 5 | MERKUSEV Martin | 10 - 0 | 1:30 |
| 2 | PÄÄREN Karl-Alex | 1 | 2 | GAILITIS Klavs | 0 - 10 | 0:25 |
| 3 | DRANCHIKOV Ivan | 3 | 4 | ROOSTFELDT Patrik | 5 - 0 | 2:00 |
| 4 | PÄÄREN Karl-Alex | 1 | 5 | MERKUSEV Martin | 0 - 10 | 0:18 |
| 5 | GAILITIS Klavs | 2 | 3 | DRANCHIKOV Ivan | 0 - 1 | 2:00 |
| 6 | PÄÄREN Karl-Alex | 1 | 4 | ROOSTFELDT Patrik | 0 - 10 | 0:14 |
| 7 | DRANCHIKOV Ivan | 3 | 5 | MERKUSEV Martin | 5 - 0 | 2:00 |
| 8 | GAILITIS Klavs | 2 | 4 | ROOSTFELDT Patrik | 1 - 0 | 2:00 |
| 9 | PÄÄREN Karl-Alex | 1 | 3 | DRANCHIKOV Ivan | 0 - 10 | 0:01 |
| 10 | GAILITIS Klavs | 2 | 5 | MERKUSEV Martin | 10 - 0 | 0:08 |

Results

| Pos | Name |
|-----|---------------------------|
| 1 | DRANCHIKOV Ivan, Pskov |
| 2 | GAILITIS Klavs, Adazi |
| 3 | ROOSTFELDT Patrik, Aitado |
| 4 | MERKUSEV Martin, Kibuvits |
| 5 | PÄÄREN Karl-Alex, Mikado |

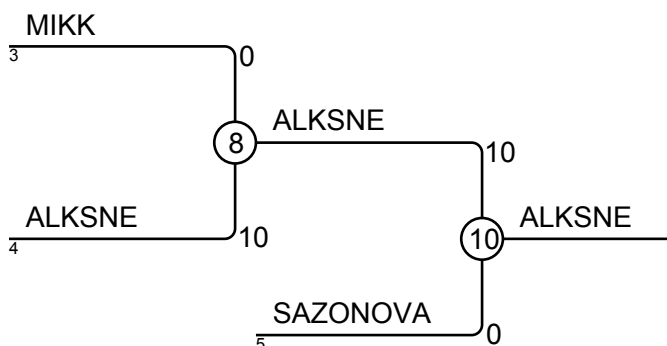
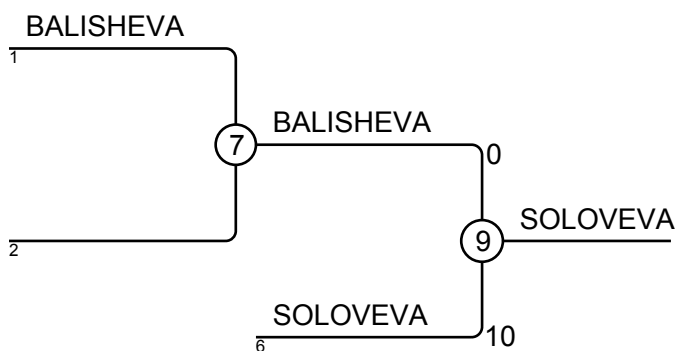
Narva Judo Cup 2014 13.09.2014 CG-52

Competitors: 7



Results

| Pos | Name |
|-----|-----------------------------------|
| 1 | ILIJNA Anastassija, St.Petersburg |
| 2 | NOVIKOVA Anastasia, Sosnovõi Bor |
| 3 | SOLOVEVA Ksenija, Rosits |
| 3 | ALKSNE Vineta, Adazi |
| 5 | BALISHEVA Ksenija, Daugavpils |
| 5 | SAZONOVA Anastassija, Buffen-do |
| 7 | |
| 7 | MIKK Marleen, Audentes |



Narva Judo Cup 2014 13.09.2014 CG-45

Competitors: 4

Competitors

| # | Name | Club | 1 | 2 | 3 | 4 | Wins | Pts | Pos |
|---|----------------------------|--------------|---|---|---|----|------|-----|-----|
| 1 | JEVSTIGNEJEVA Eliza Marija | Adazi | | 5 | 7 | 10 | 3 | 22 | 1 |
| 2 | NIKA Andra | Adazi | | | 5 | 1 | 2 | 6 | 2 |
| 3 | SHADRINA Vitalia | Rosits | | | | | 0 | 0 | 4 |
| 4 | MEDUSON Sofiy | Sosnovõi Bor | | | 1 | | 1 | 1 | 3 |

Matches

| Match | White | | Blue | | Result | Time |
|-------|----------------------------|---|------|------------------|--------|------|
| 1 | JEVSTIGNEJEVA Eliza Marija | 1 | 2 | NIKA Andra | 5 - 0 | 2:00 |
| 2 | SHADRINA Vitalia | 3 | 4 | MEDUSON Sofiy | 0 - 1 | 2:00 |
| 3 | JEVSTIGNEJEVA Eliza Marija | 1 | 3 | SHADRINA Vitalia | 7 - 0 | 2:00 |
| 4 | NIKA Andra | 2 | 4 | MEDUSON Sofiy | 1 - 0 | 2:33 |
| 5 | JEVSTIGNEJEVA Eliza Marija | 1 | 4 | MEDUSON Sofiy | 10 - 0 | 1:36 |
| 6 | NIKA Andra | 2 | 3 | SHADRINA Vitalia | 5 - 0 | 2:00 |

Results

| Pos | Name |
|-----|-----------------------------------|
| 1 | JEVSTIGNEJEVA Eliza Marija, Adazi |
| 2 | NIKA Andra, Adazi |
| 3 | MEDUSON Sofiy, Sosnovõi Bor |
| 4 | SHADRINA Vitalia , Rosits |

Narva Judo Cup 2014 13.09.2014 CG-40

Competitors: 2

Competitors

| # | Name | Club | 1 | 2 | 1 | 2 | 1 | 2 | Wins | Pts | Pos |
|---|------------------|---------------|----|---|----|---|---|---|------|-----|-----|
| 1 | PIKULOVA Larina | Individuaalne | | | | | | | 0 | 0 | 2 |
| 2 | MIHHAILOVA Darja | Kibuvits | 10 | | 10 | | | | 2 | 20 | 1 |

Matches

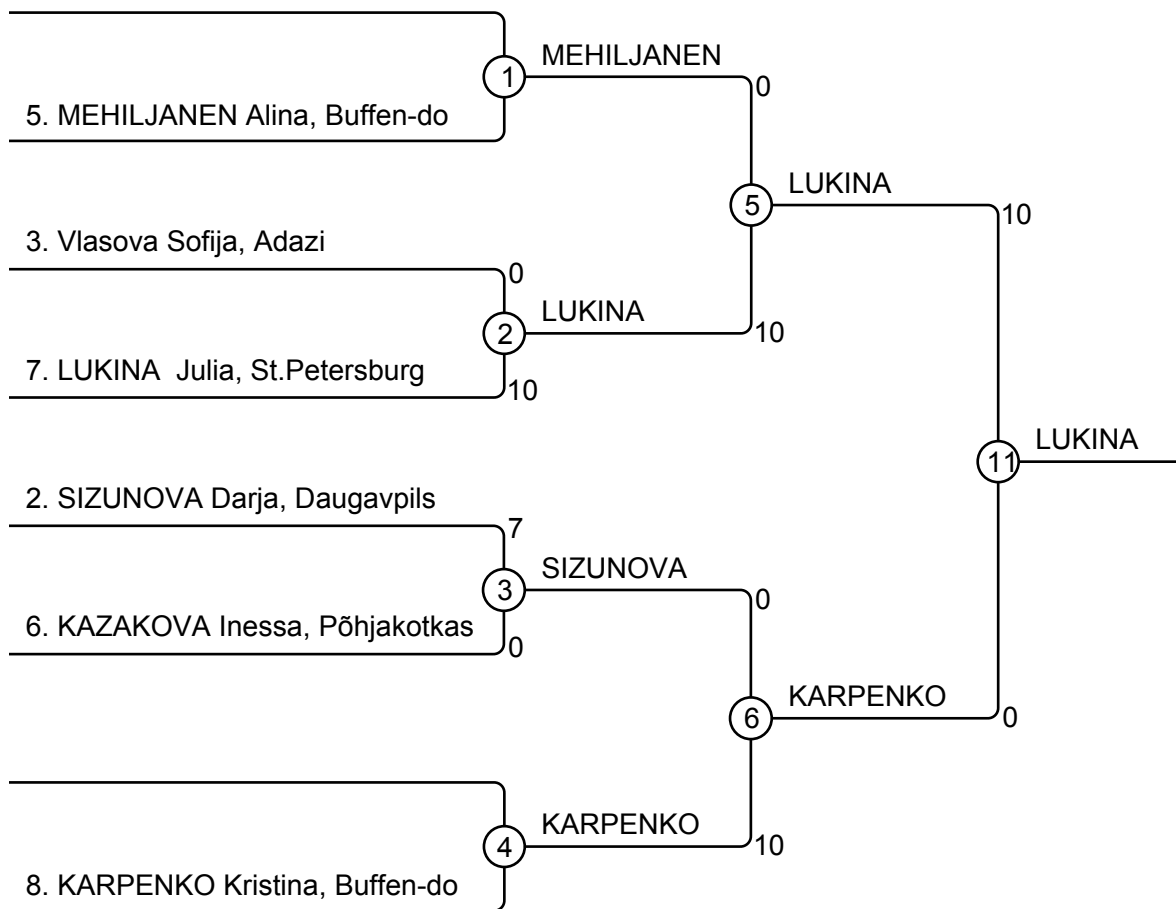
| Match | White | | Blue | Result | Time |
|-------|-----------------|-----|------------------|--------|------|
| 1 | PIKULOVA Larina | 1 2 | MIHHAILOVA Darja | 0 - 10 | 0:12 |
| 2 | PIKULOVA Larina | 1 2 | MIHHAILOVA Darja | 0 - 10 | 0:10 |
| 3 | PIKULOVA Larina | 1 2 | MIHHAILOVA Darja | | |

Results

| Pos | Name |
|-----|--------------------------------|
| 1 | MIHHAILOVA Darja, Kibuvits |
| 2 | PIKULOVA Larina, Individuaalne |

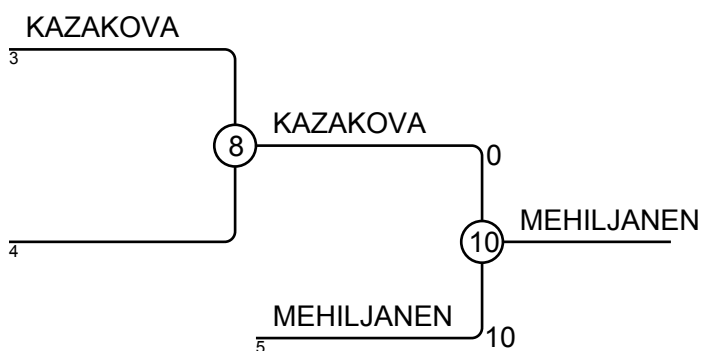
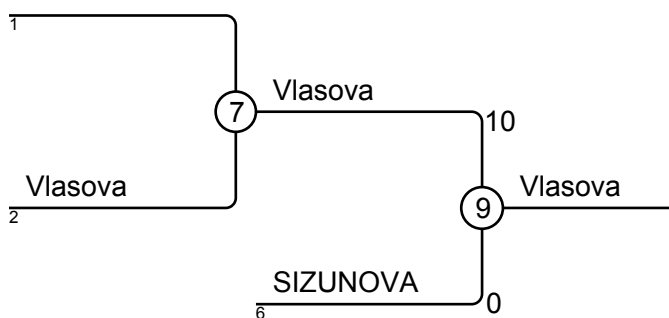
Narva Judo Cup 2014 13.09.2014 CG-36

Competitors: 6



Results

| Pos | Name |
|-----|------------------------------|
| 1 | LUKINA Julia, St.Petersburg |
| 2 | KARPENKO Kristina, Buffen-do |
| 3 | Vlasova Sofija, Adazi |
| 3 | MEHILJANEN Alina, Buffen-do |
| 5 | SIZUNOVA Darja, Daugavpils |
| 5 | KAZAKOVA Inessa, Põhjakotkas |
| 7 | |
| 7 | |



Narva Judo Cup 2014 13.09.2014 CG+52

Competitors: 3

Competitors

| # | Name | Club | 1 | 2 | 3 | Wins | Pts | Pos |
|---|-------------------|---------------|----|----|---|------|-----|-----|
| 1 | SHIROKOVA Olga | St.Petersburg | | 10 | | 1 | 10 | 2 |
| 2 | SHIROKOVA Valeria | St.Petersburg | | | | 0 | 0 | 3 |
| 3 | SMILDZINA Darta | Adazi | 10 | 10 | | 2 | 20 | 1 |

Matches

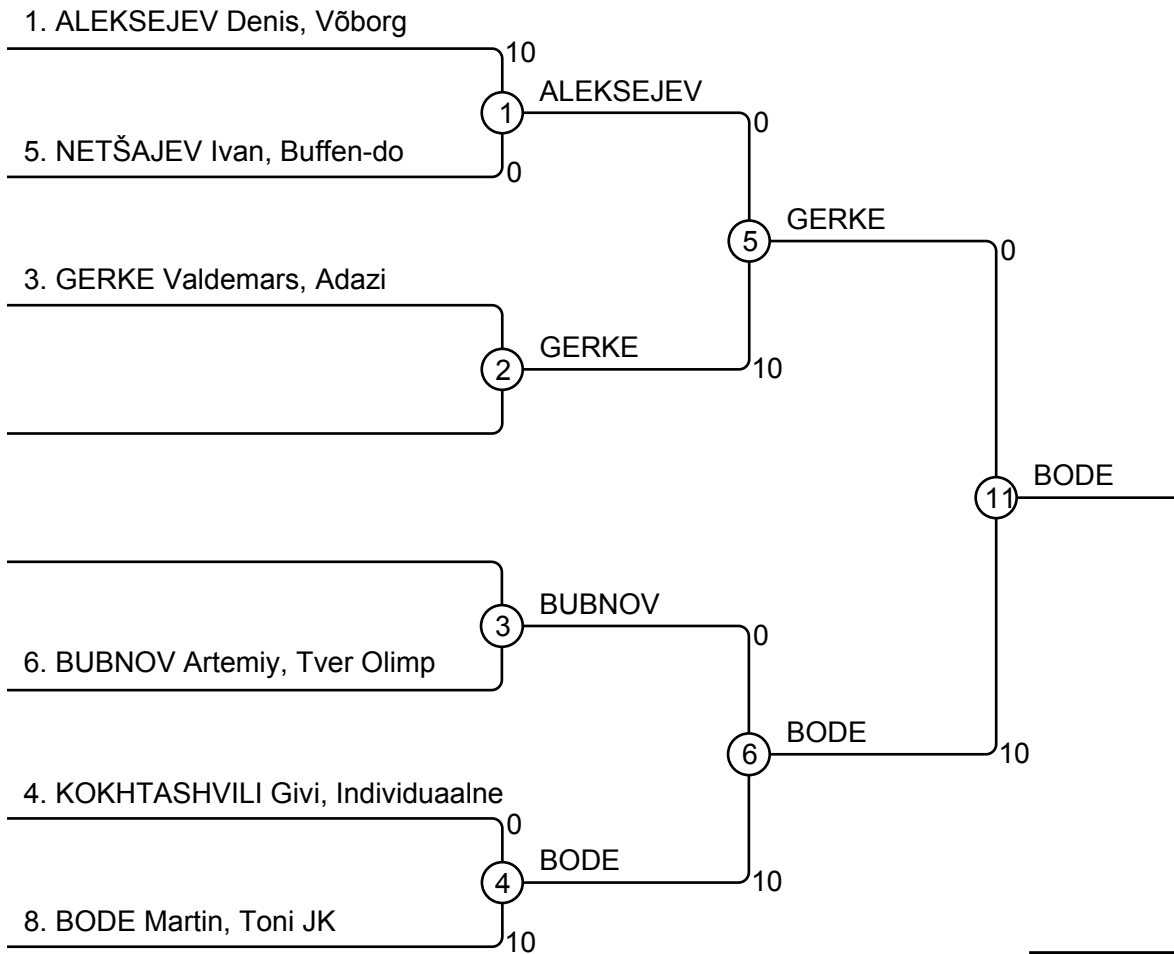
| Match | White | | | Blue | Result | Time |
|-------|-------------------|---|---|-------------------|--------|------|
| 1 | SHIROKOVA Olga | 1 | 2 | SHIROKOVA Valeria | 10 - 0 | 0:17 |
| 2 | SHIROKOVA Olga | 1 | 3 | SMILDZINA Darta | 0 - 10 | 0:08 |
| 3 | SHIROKOVA Valeria | 2 | 3 | SMILDZINA Darta | 0 - 10 | 0:32 |

Results

| Pos | Name |
|-----|----------------------------------|
| 1 | SMILDZINA Darta, Adazi |
| 2 | SHIROKOVA Olga, St.Petersburg |
| 3 | SHIROKOVA Valeria, St.Petersburg |

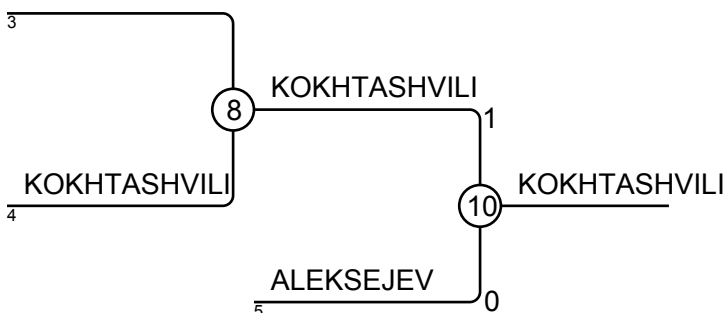
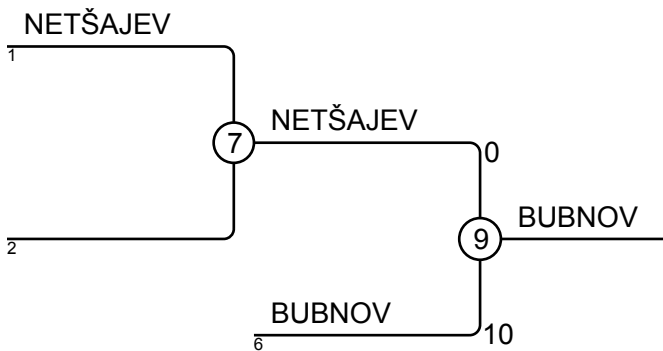
Narva Judo Cup 2014 13.09.2014 CB-70

Competitors: 6



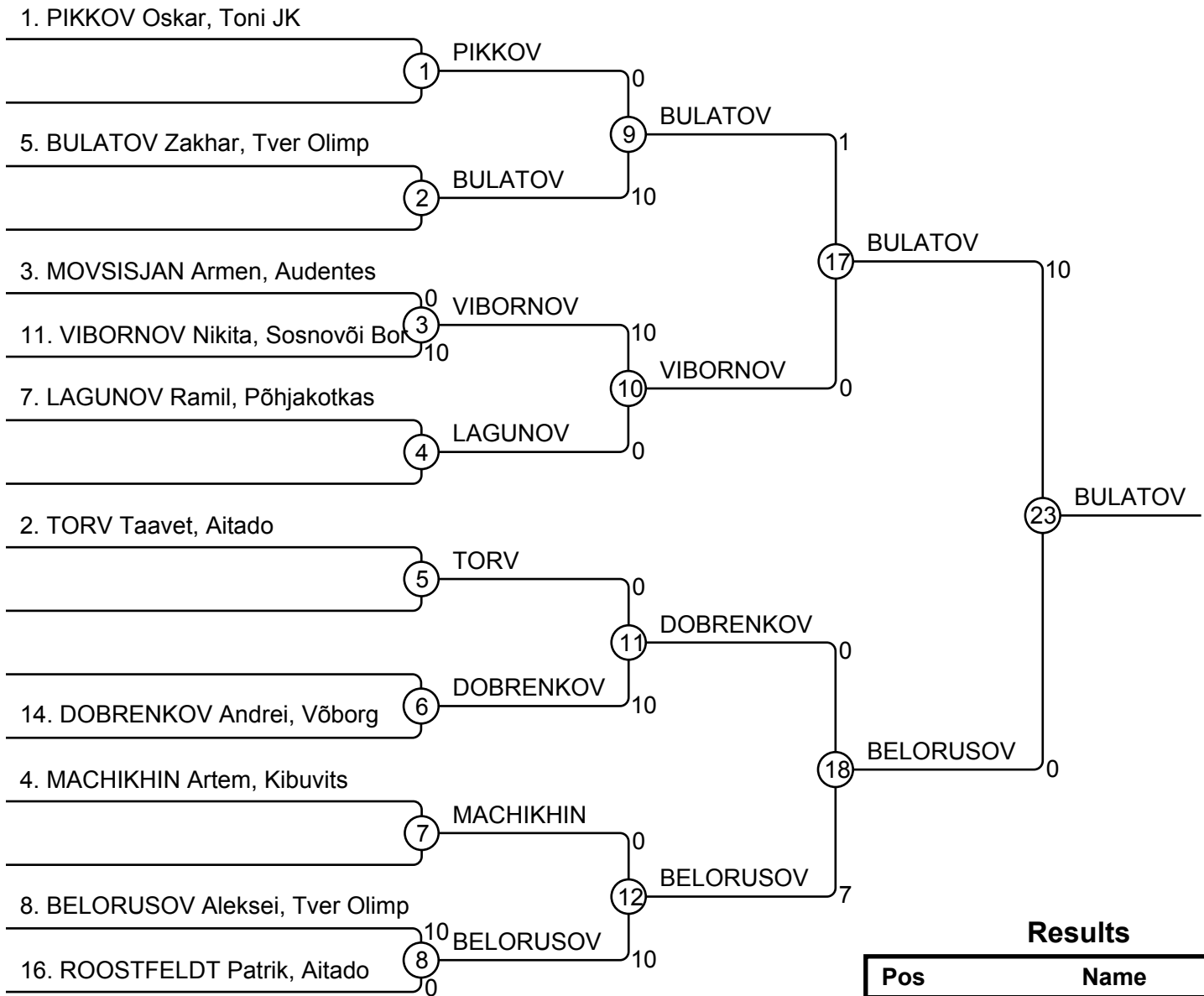
Results

| Pos | Name |
|-----|----------------------------------|
| 1 | BODE Martin, Toni JK |
| 2 | GERKE Valdemars, Adazi |
| 3 | BUBNOV Artemiy, Tver Olimp |
| 3 | KOKHTASHVILI Givi, Individuaalne |
| 5 | NETŠAJEV Ivan, Buffen-do |
| 5 | ALEKSEJEV Denis, Võborg |
| 7 | |
| 7 | |



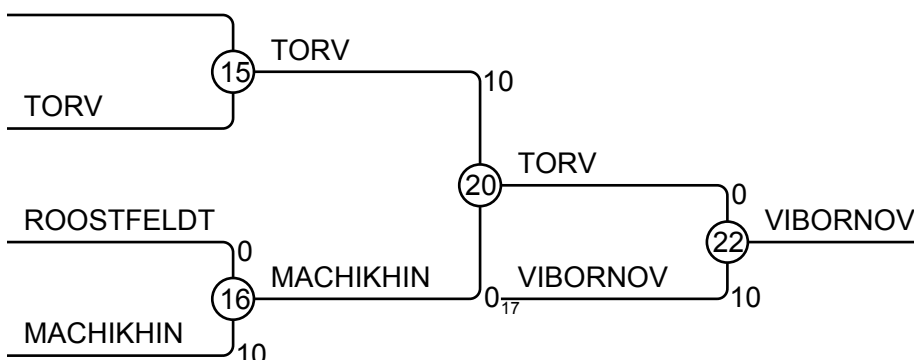
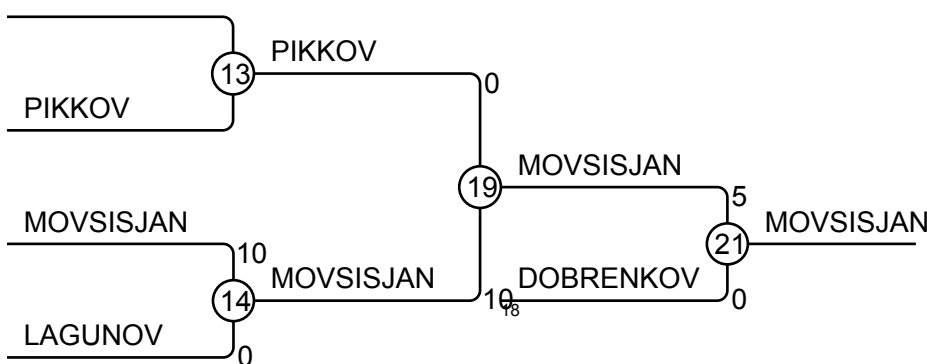
Narva Judo Cup 2014 13.09.2014 CB-62

Competitors: 10



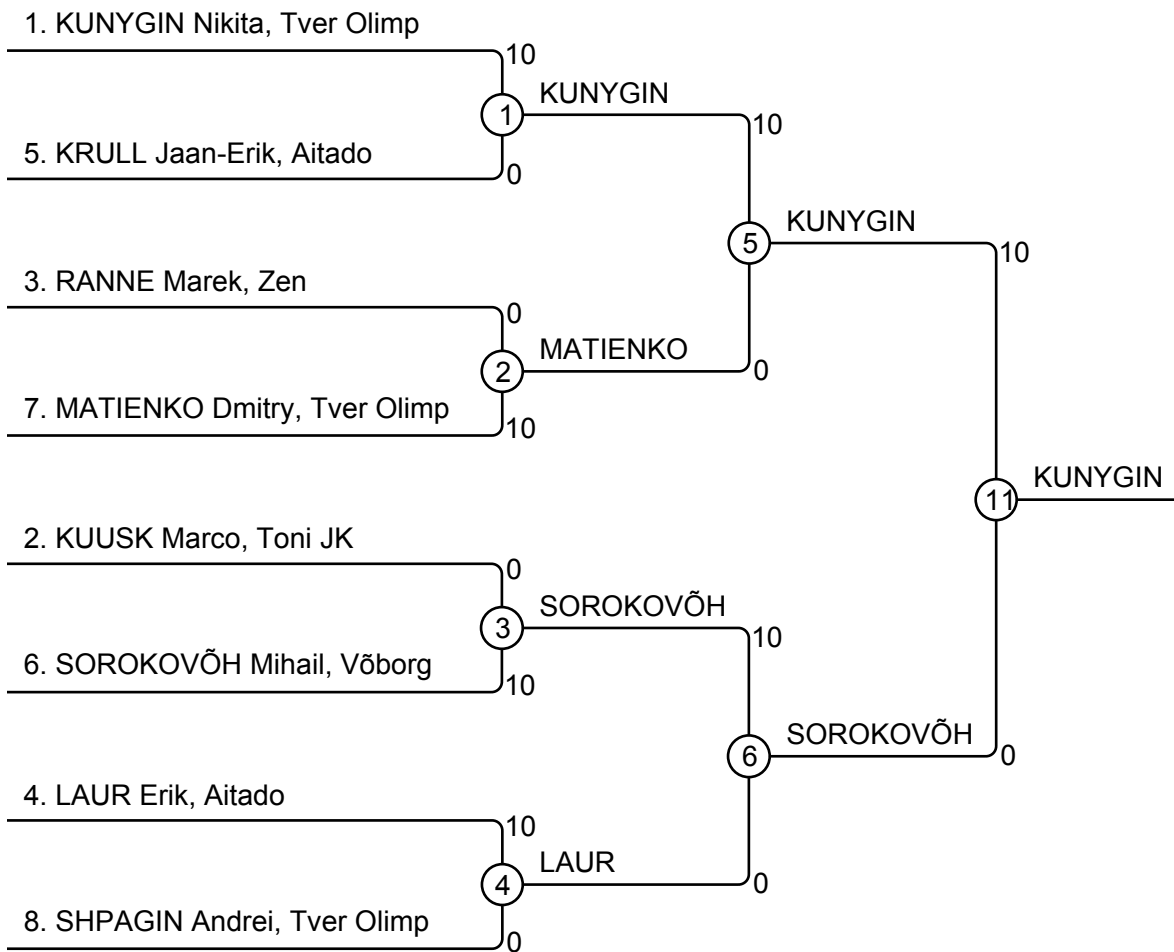
Results

| Pos | Name |
|-----|-------------------------------|
| 1 | BULATOV Zakhar, Tver Olimp |
| 2 | BELORUSOV Aleksei, Tver Olimp |
| 3 | MOVSISJAN Armen, Audentes |
| 3 | VIBORNOV Nikita, Sosnovõi Bor |
| 5 | DOBRENKOV Andrei, Võborg |
| 5 | TORV Taavet, Aitado |
| 7 | PIKKOV Oskar, Toni JK |
| 7 | MACHIKHIN Artem, Kibuvits |



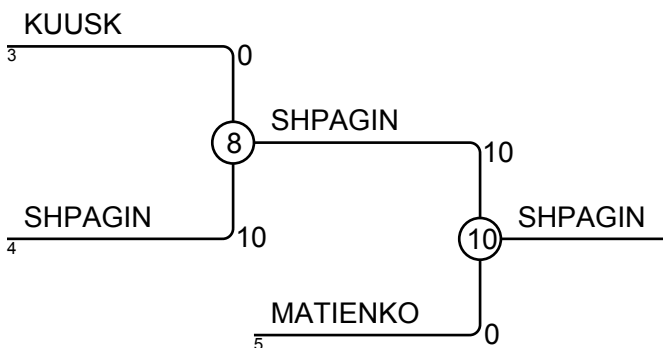
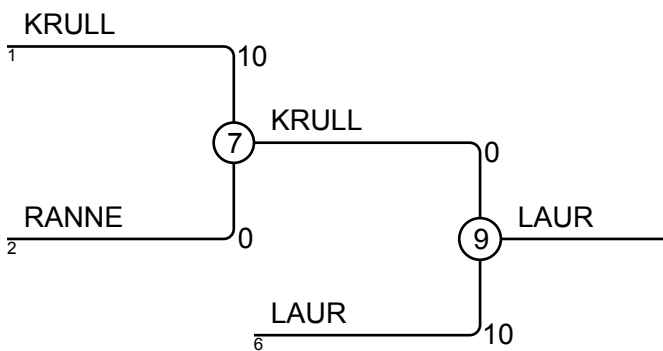
Narva Judo Cup 2014 13.09.2014 CB-55

Competitors: 8



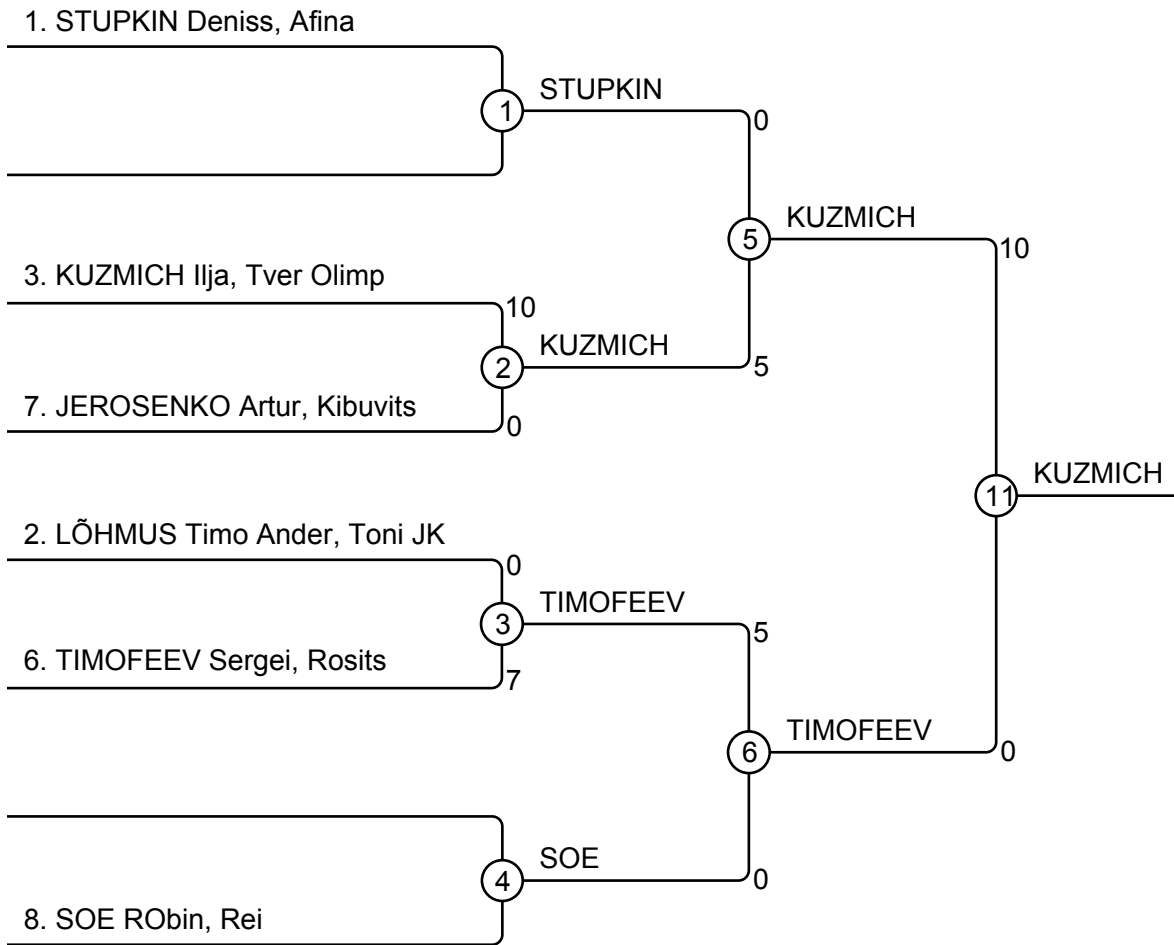
Results

| Pos | Name |
|-----|-----------------------------|
| 1 | KUNYGIN Nikita, Tver Olimp |
| 2 | SOROKOVÕH Mihail, Võborg |
| 3 | LAUR Erik, Aitado |
| 3 | SHPAGIN Andrei, Tver Olimp |
| 5 | KRULL Jaan-Erik, Aitado |
| 5 | MATIENKO Dmitry, Tver Olimp |
| 7 | RANNE Marek, Zen |
| 7 | KUUSK Marco, Toni JK |



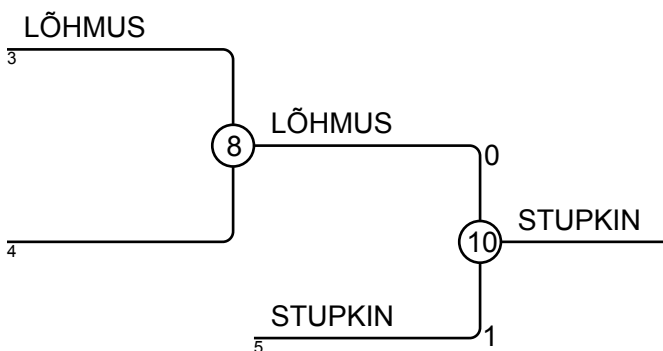
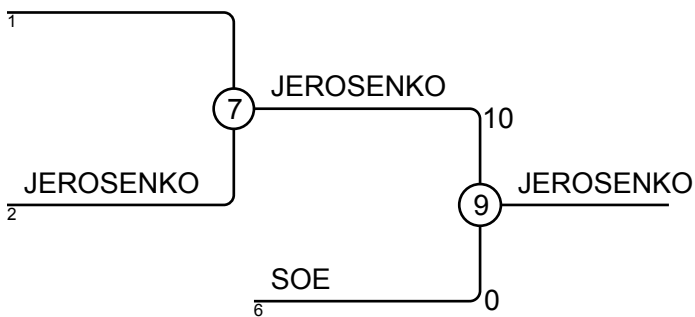
Narva Judo Cup 2014 13.09.2014 CB-50

Competitors: 6



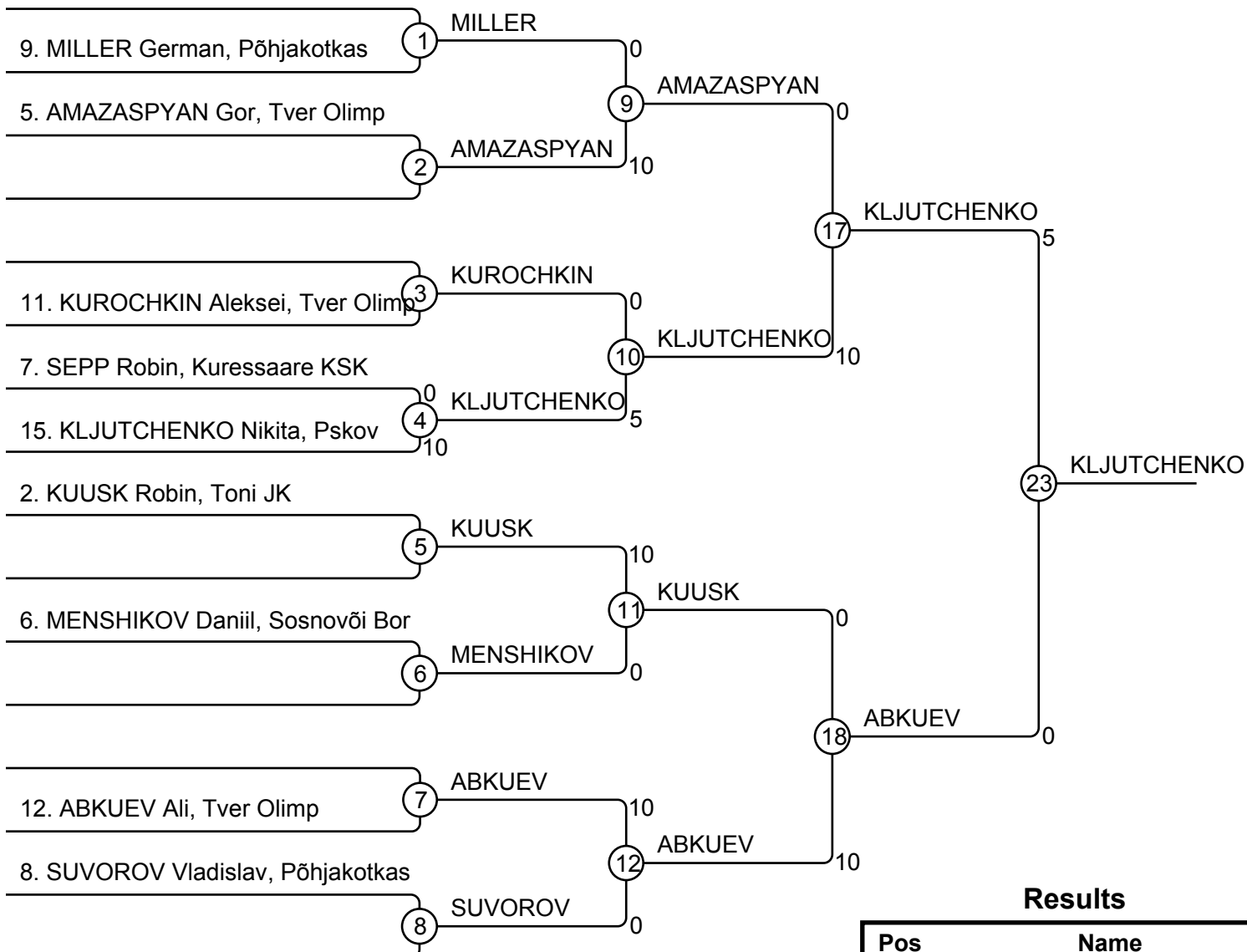
Results

| Pos | Name |
|-----|----------------------------|
| 1 | KUZMICH Ilja, Tver Olimp |
| 2 | TIMOFEEV Sergei, Rosits |
| 3 | JEROSENKO Artur, Kibuvits |
| 3 | STUPKIN Deniss, Afina |
| 5 | SOE RObin, Rei |
| 5 | LÖHMUS Timo Ander, Toni JK |
| 7 | |
| 7 | |



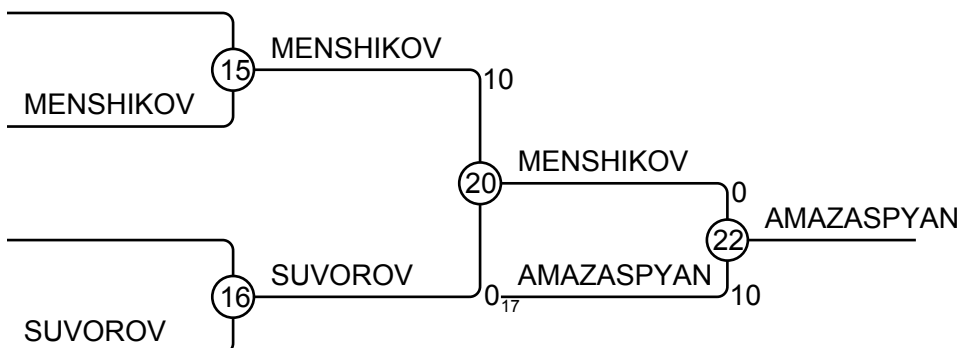
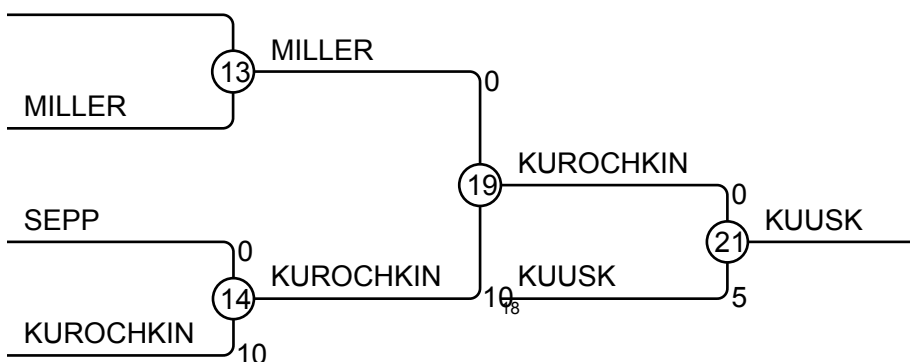
Narva Judo Cup 2014 13.09.2014 CB-46

Competitors: 9



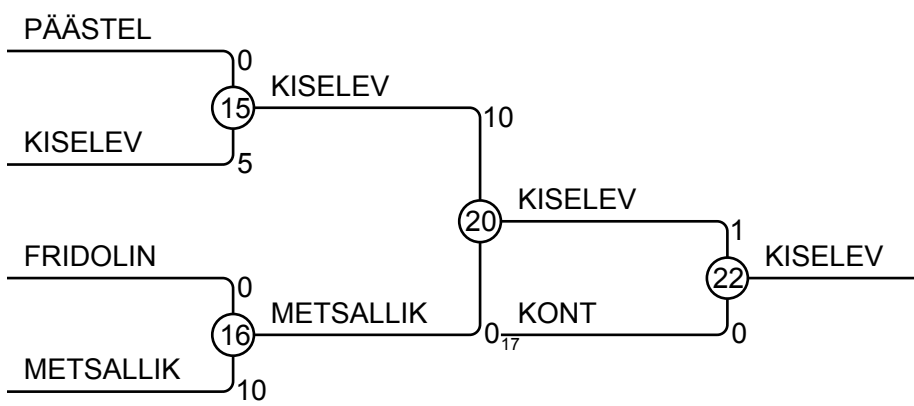
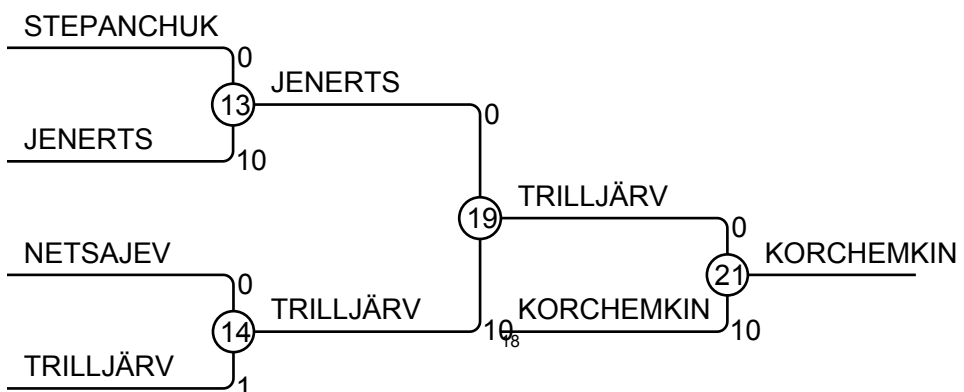
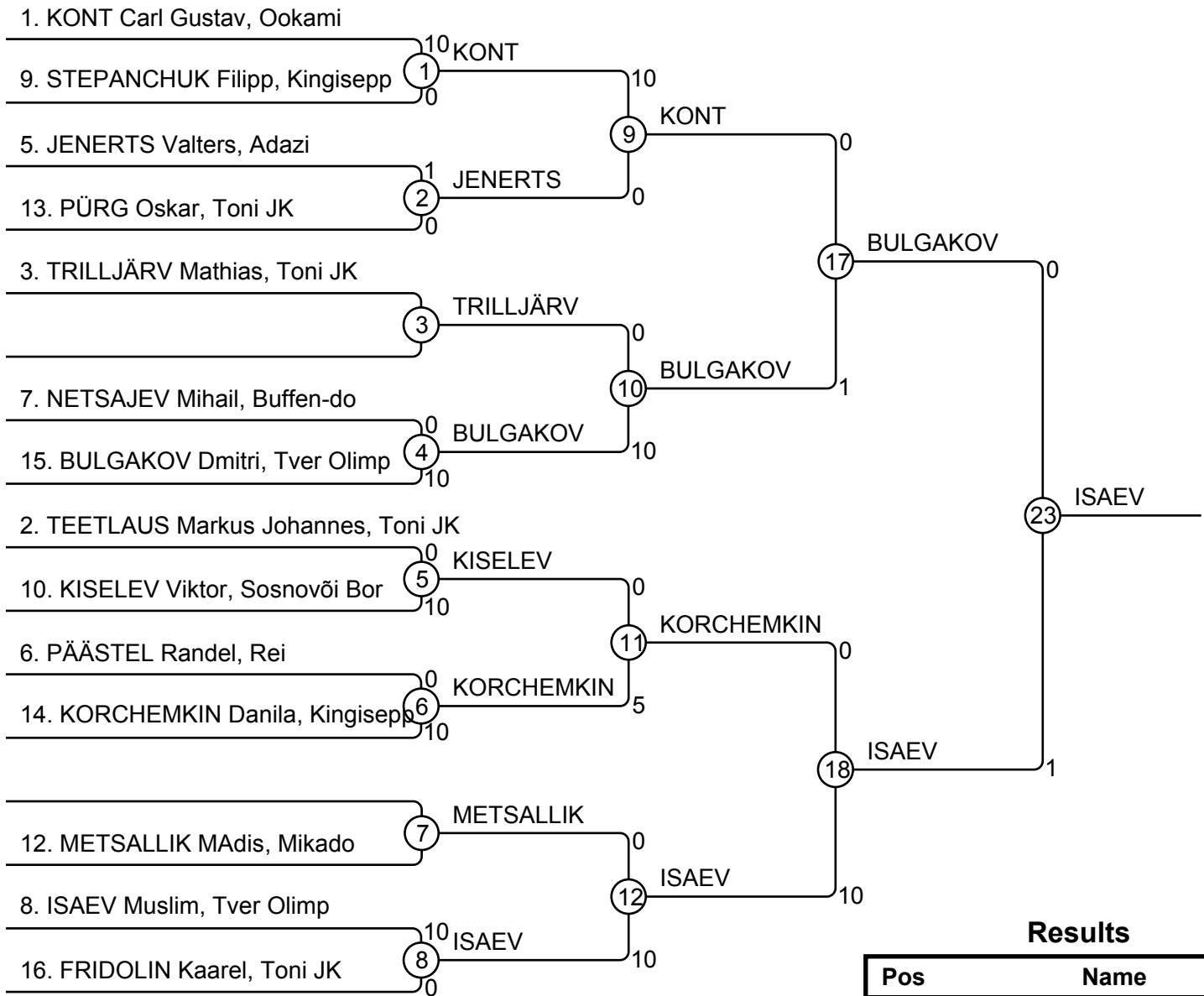
Results

| Pos | Name |
|-----|--------------------------------|
| 1 | KLJUTCHENKO Nikita, Pskov |
| 2 | ABKUEV Ali, Tver Olimp |
| 3 | KUUSK Robin, Toni JK |
| 3 | AMAZASPYAN Gor, Tver Olimp |
| 5 | KUROCHKIN Aleksei, Tver Olimp |
| 5 | MENSHIKOV Daniil, Sosnovõi Bor |
| 7 | MILLER German, Põhjakotkas |
| 7 | SUVOROV Vladislav, Põhjakotkas |



Narva Judo Cup 2014 13.09.2014 CB-42

Competitors: 14

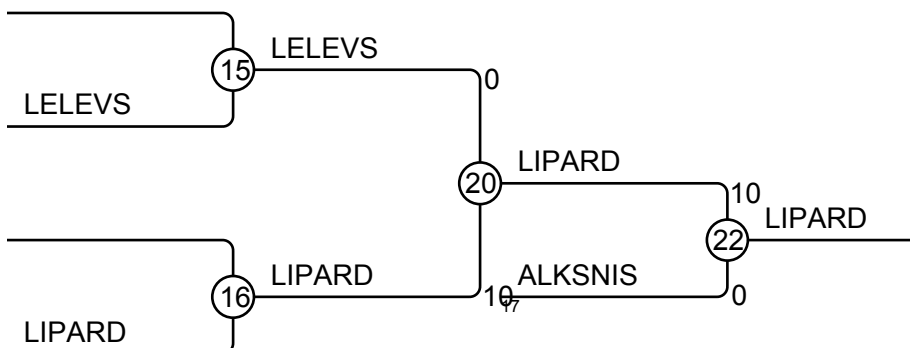
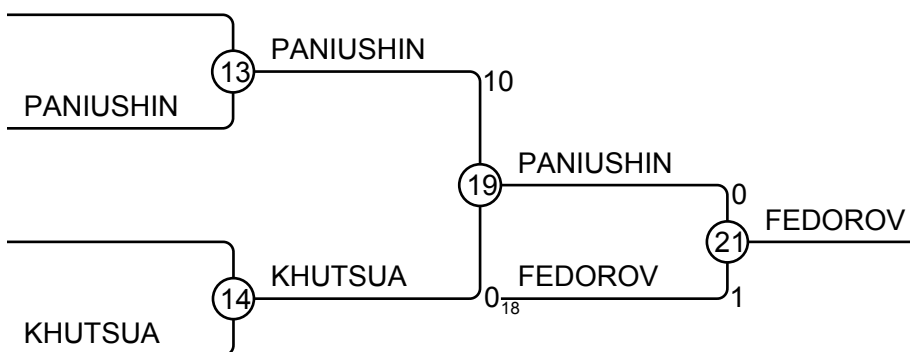
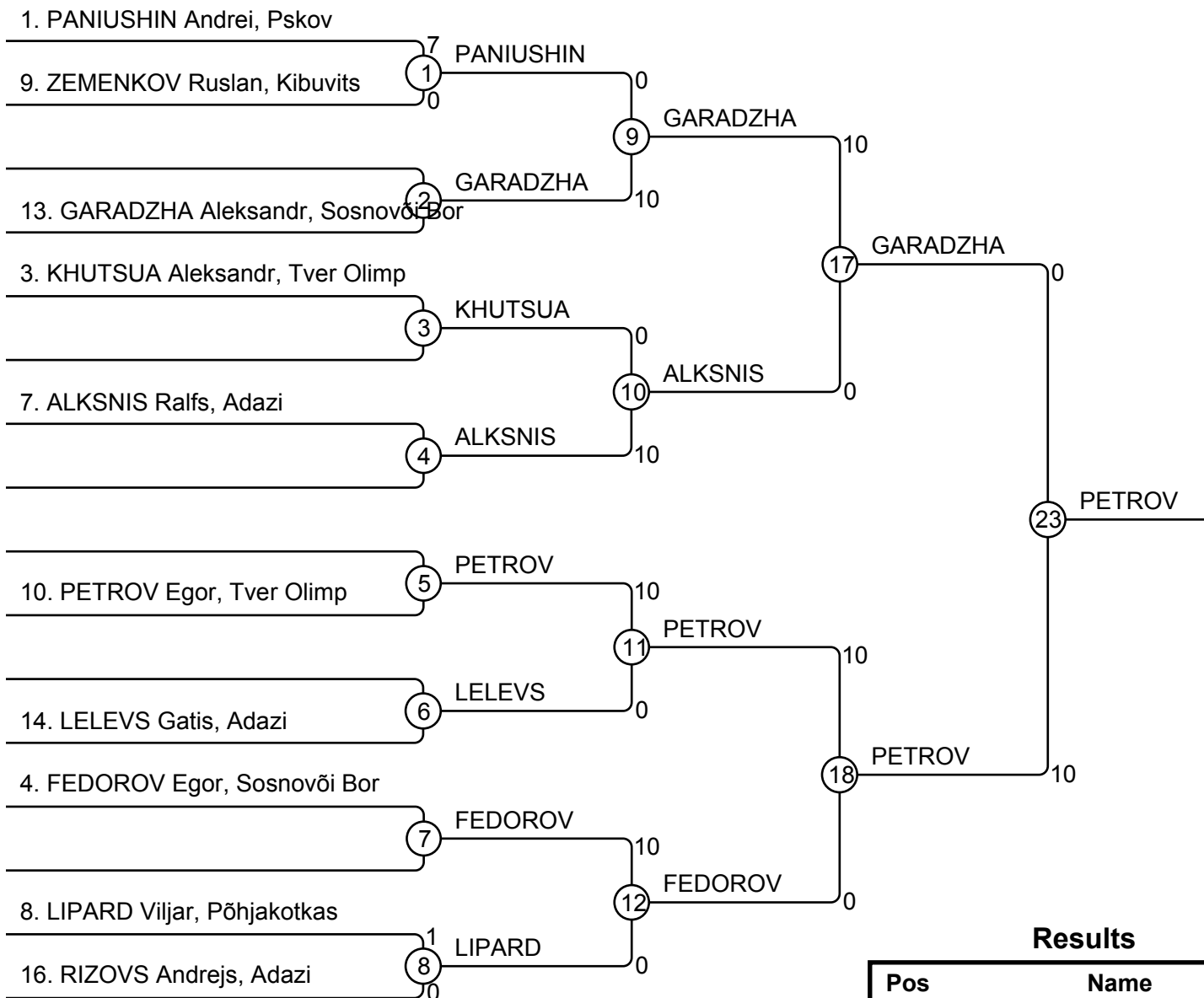


Results

| Pos | Name |
|-----|------------------------------|
| 1 | ISAEV Muslim, Tver Olimp |
| 2 | BULGAKOV Dmitri, Tver Olimp |
| 3 | KORCHEMKIN Danila, Kingisepp |
| 3 | KISELEV Viktor, Sosnovõi Bor |
| 5 | TRILLJÄRV Mathias, Toni JK |
| 5 | KONT Carl Gustav, Ookami |
| 7 | JENERTS Valters, Adazi |
| 7 | METSALLIK MAdis, Mikado |

Narva Judo Cup 2014 13.09.2014 CB-38

Competitors: 10

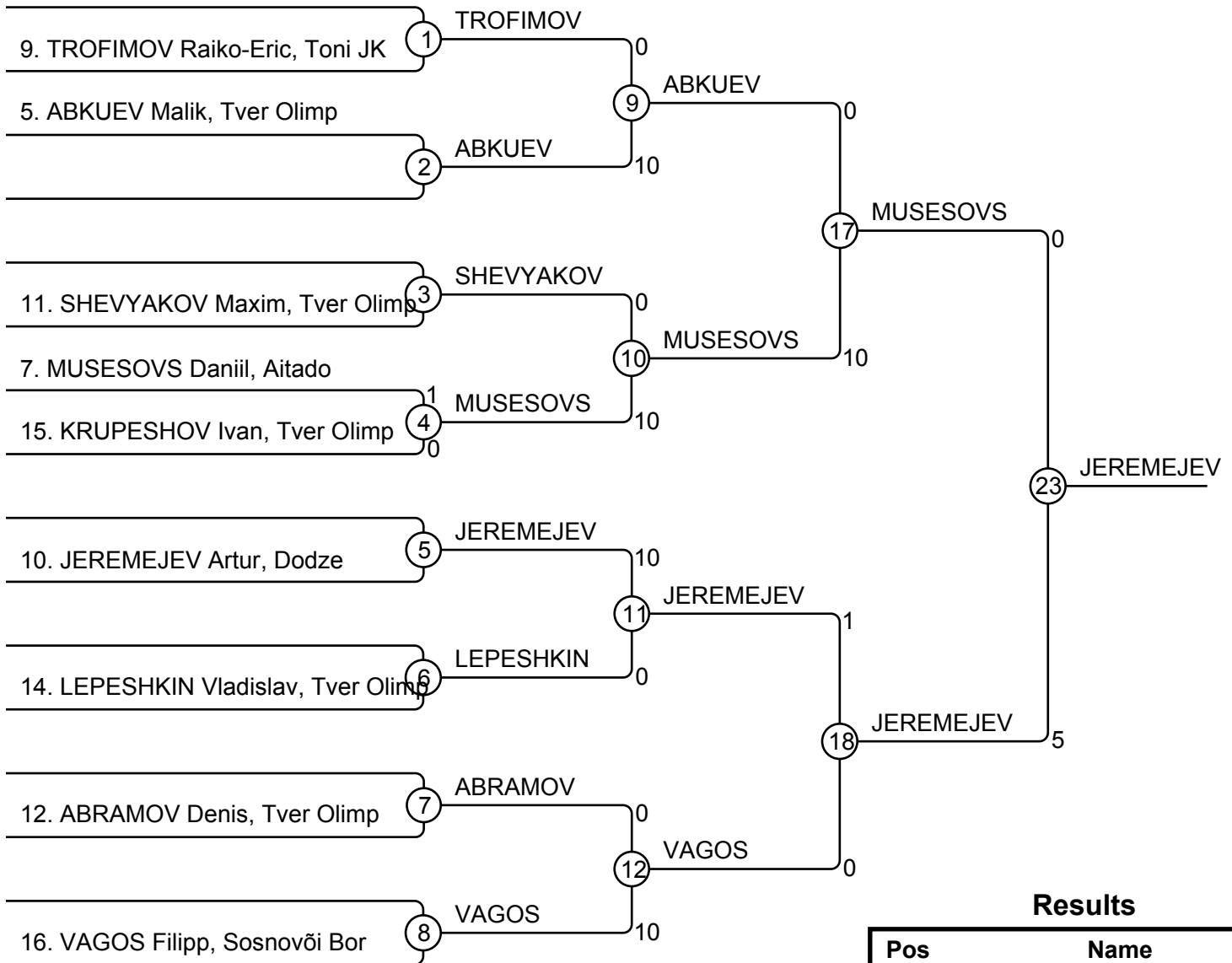


Results

| Pos | Name |
|-----|---------------------------------|
| 1 | PETROV Egor, Tver Olimp |
| 2 | GARADZHA Aleksandr, Sosnovõi Bo |
| 3 | FEDOROV Egor, Sosnovõi Bor |
| 3 | LIPARD Viljar, Põhjakotkas |
| 5 | PANIUSHIN Andrei, Pskov |
| 5 | ALKSNIS Ralfs, Adazi |
| 7 | KHUTSUA Aleksandr, Tver Olimp |
| 7 | LELEVS Gatis, Adazi |

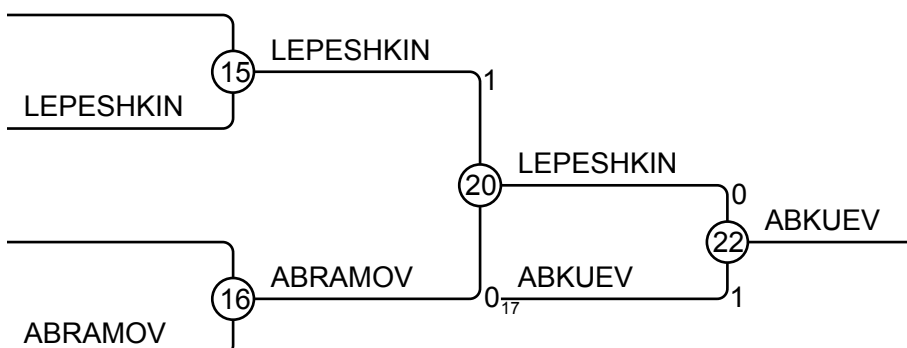
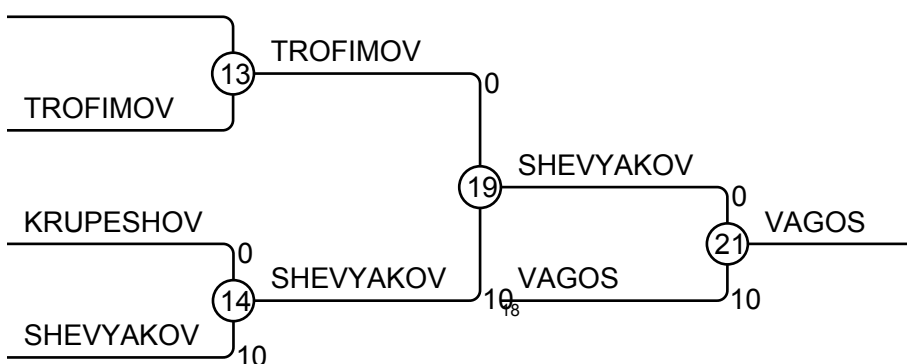
Narva Judo Cup 2014 13.09.2014 CB-34

Competitors: 9



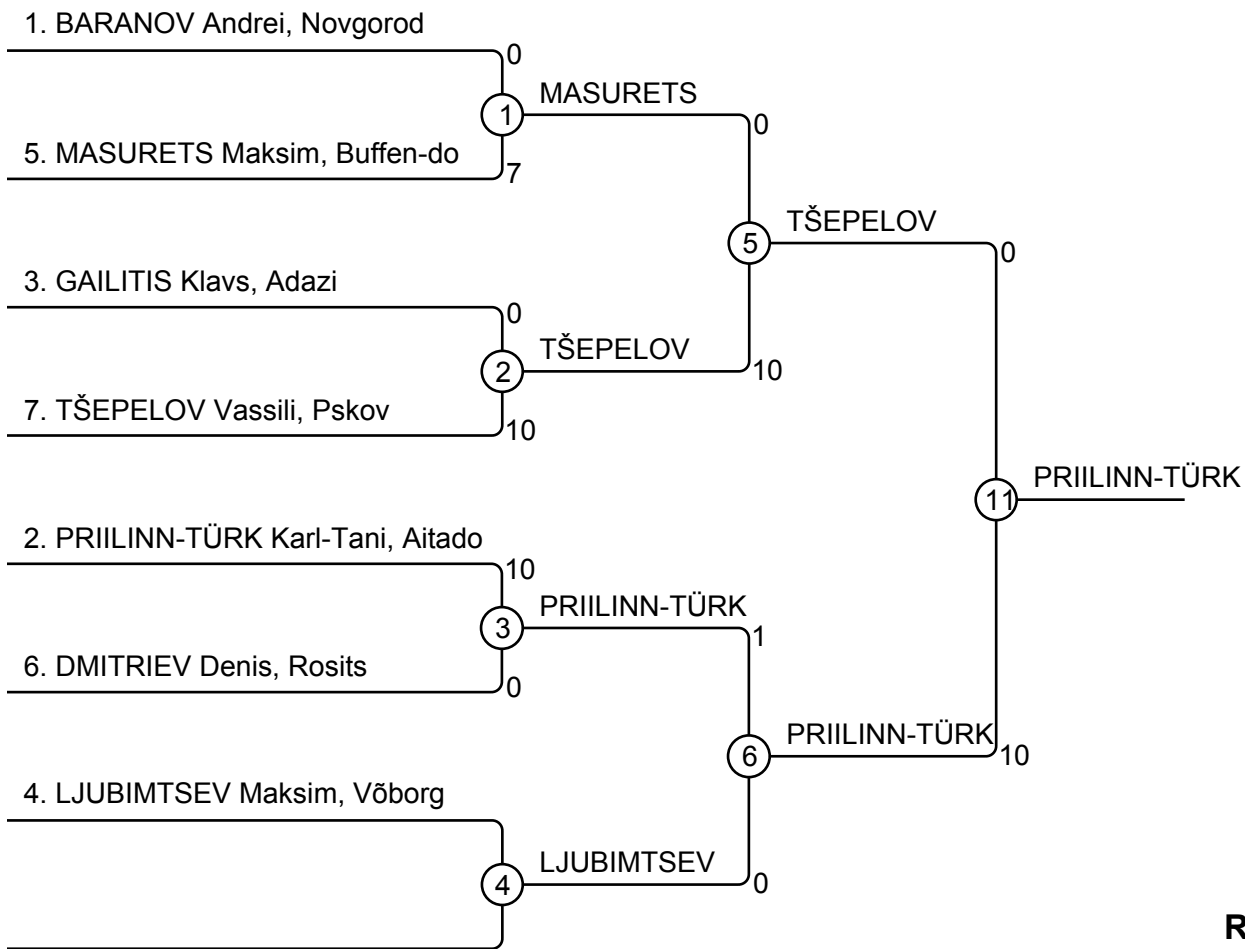
Results

| Pos | Name |
|-----|---------------------------------|
| 1 | JEREMEJEV Artur, Dodze |
| 2 | MUSESOVS Daniil, Aitado |
| 3 | VAGOS Filipp, Sosnovõi Bor |
| 3 | ABKUEV Malik, Tver Olimp |
| 5 | SHEVYAKOV Maxim, Tver Olimp |
| 5 | LEPESHKIN Vladislav, Tver Olimp |
| 7 | TROFIMOV Raiko-Eric, Toni JK |
| 7 | ABRAMOV Denis, Tver Olimp |



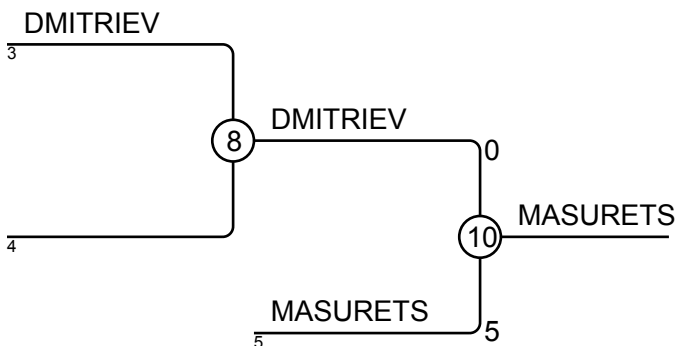
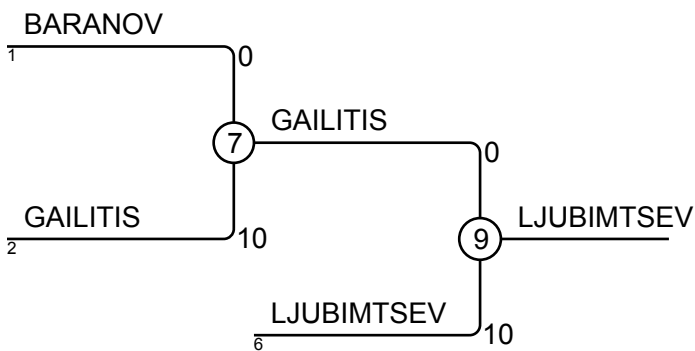
Narva Judo Cup 2014 13.09.2014 CB+70

Competitors: 7



Results

| Pos | Name |
|-----|---------------------------------|
| 1 | PRIILINN-TÜRК Karl-Tani, Aitado |
| 2 | TŠEPELOV Vassili, Pskov |
| 3 | LJUBIMTSEV Maksim, Vöborg |
| 3 | MASURETS Maksim, Buffen-do |
| 5 | GAILITIS Klavs, Adazi |
| 5 | DMITRIEV Denis, Rosits |
| 7 | BARANOV Andrei, Novgorod |
| 7 | |



Narva Judo Cup 2014 13.09.2014 BG-63

Competitors: 5

Competitors

| # | Name | Club | 1 | 2 | 3 | 4 | 5 | Wins | Pts | Pos |
|---|---------------------|---------------|----|----|---|---|----|------|-----|-----|
| 1 | SHIROKOVA Valeria | St.Petersburg | | | | | | 0 | 0 | 5 |
| 2 | VINOGRADOVA Valeria | Tver Olimp | 10 | | | | | 1 | 10 | 4 |
| 3 | LEHTSALU Debora | Audentes | 10 | 10 | | | 10 | 3 | 30 | 2 |
| 4 | KITELE Darja | Singitaj | 10 | 10 | 5 | | 10 | 4 | 35 | 1 |
| 5 | VLASOVA Tatjana | Adazi | 10 | 10 | | | | 2 | 20 | 3 |

Matches

| Match | White | | Blue | | Result | Time |
|-------|---------------------|---|------|---------------------|--------|------|
| 1 | KITELE Darja | 4 | 5 | VLASOVA Tatjana | 10 - 0 | 0:16 |
| 2 | SHIROKOVA Valeria | 1 | 2 | VINOGRADOVA Valeria | 0 - 10 | 0:13 |
| 3 | LEHTSALU Debora | 3 | 4 | KITELE Darja | 0 - 5 | 3:00 |
| 4 | SHIROKOVA Valeria | 1 | 5 | VLASOVA Tatjana | 0 - 10 | 0:27 |
| 5 | VINOGRADOVA Valeria | 2 | 3 | LEHTSALU Debora | 0 - 10 | 0:53 |
| 6 | SHIROKOVA Valeria | 1 | 4 | KITELE Darja | 0 - 10 | 0:07 |
| 7 | LEHTSALU Debora | 3 | 5 | VLASOVA Tatjana | 10 - 0 | 0:15 |
| 8 | VINOGRADOVA Valeria | 2 | 4 | KITELE Darja | 0 - 10 | 1:40 |
| 9 | SHIROKOVA Valeria | 1 | 3 | LEHTSALU Debora | 0 - 10 | 0:10 |
| 10 | VINOGRADOVA Valeria | 2 | 5 | VLASOVA Tatjana | 0 - 10 | 1:14 |

Results

| Pos | Name |
|-----|----------------------------------|
| 1 | KITELE Darja, Singitaj |
| 2 | LEHTSALU Debora, Audentes |
| 3 | VLASOVA Tatjana, Adazi |
| 4 | VINOGRADOVA Valeria, Tver Olimp |
| 5 | SHIROKOVA Valeria, St.Petersburg |

Narva Judo Cup 2014 13.09.2014 BG-57

Competitors: 4

Competitors

| # | Name | Club | 1 | 2 | 3 | 4 | Wins | Pts | Pos |
|---|-------------------|---------------|----|----|---|---|------|-----|-----|
| 1 | SEVERTSEVA Ksenja | Vöborg | | 10 | | | 1 | 10 | 3 |
| 2 | SHIROKOVA Olga | St.Petersburg | | | | | 0 | 0 | 4 |
| 3 | TOKMANTSEVA Darja | Buffen-do | 10 | 10 | | 7 | 3 | 27 | 1 |
| 4 | STANKEVITSA Julia | Singitaj | 10 | 10 | | | 2 | 20 | 2 |

Matches

| Match | White | | Blue | | Result | Time |
|-------|-------------------|---|------|-------------------|--------|------|
| 1 | SEVERTSEVA Ksenja | 1 | 2 | SHIROKOVA Olga | 10 - 0 | 2:36 |
| 2 | TOKMANTSEVA Darja | 3 | 4 | STANKEVITSA Julia | 7 - 0 | 3:00 |
| 3 | SEVERTSEVA Ksenja | 1 | 3 | TOKMANTSEVA Darja | 0 - 10 | 1:18 |
| 4 | SHIROKOVA Olga | 2 | 4 | STANKEVITSA Julia | 0 - 10 | 0:32 |
| 5 | SEVERTSEVA Ksenja | 1 | 4 | STANKEVITSA Julia | 0 - 10 | 0:49 |
| 6 | SHIROKOVA Olga | 2 | 3 | TOKMANTSEVA Darja | 0 - 10 | 0:49 |

Results

| Pos | Name |
|-----|-------------------------------|
| 1 | TOKMANTSEVA Darja, Buffen-do |
| 2 | STANKEVITSA Julia , Singitaj |
| 3 | SEVERTSEVA Ksenja, Vöborg |
| 4 | SHIROKOVA Olga, St.Petersburg |

Narva Judo Cup 2014 13.09.2014 BG-52

Competitors: 4

Competitors

| # | Name | Club | 1 | 2 | 3 | 4 | Wins | Pts | Pos |
|---|----------------------|---------------|----|---|---|----|------|-----|-----|
| 1 | ILINA Anastassija | St.Petersburg | | | | 10 | 1 | 10 | 3 |
| 2 | KRASILNIKOVA Uliana | Tver Olimp | 10 | | | 10 | 2 | 20 | 2 |
| 3 | SOKOREVICHIA Violeta | Daugavpils | 10 | 7 | | 10 | 3 | 27 | 1 |
| 4 | KAZAKOVA Diana | Dvigatel | | | | | 0 | 0 | 4 |

Matches

| Match | White | | Blue | | Result | Time |
|-------|----------------------|---|------|----------------------|--------|------|
| 1 | ILINA Anastassija | 1 | 2 | KRASILNIKOVA Uliana | 0 - 10 | 0:26 |
| 2 | SOKOREVICHIA Violeta | 3 | 4 | KAZAKOVA Diana | 10 - 0 | 0:38 |
| 3 | ILINA Anastassija | 1 | 3 | SOKOREVICHIA Violeta | 0 - 10 | 1:35 |
| 4 | KRASILNIKOVA Uliana | 2 | 4 | KAZAKOVA Diana | 10 - 0 | 0:14 |
| 5 | ILINA Anastassija | 1 | 4 | KAZAKOVA Diana | 10 - 0 | 0:00 |
| 6 | KRASILNIKOVA Uliana | 2 | 3 | SOKOREVICHIA Violeta | 0 - 7 | 3:00 |

Results

| Pos | Name |
|-----|----------------------------------|
| 1 | SOKOREVICHIA Violeta, Daugavpils |
| 2 | KRASILNIKOVA Uliana, Tver Olimp |
| 3 | ILINA Anastassija, St.Petersburg |
| 4 | KAZAKOVA Diana, Dvigatel |

Narva Judo Cup 2014 13.09.2014 BG-48

Competitors: 3

Competitors

| # | Name | Club | 1 | 2 | 3 | Wins | Pts | Pos |
|---|-------------------|-----------|---|----|----|------|-----|-----|
| 1 | SOLOVEVA Ksenija | Rosits | | 10 | 10 | 2 | 20 | 1 |
| 2 | Alksne Vineta | Adazi | | | | 0 | 0 | 3 |
| 3 | ŠKALIKOVA Natalja | Buffen-do | | 10 | | 1 | 10 | 2 |

Matches

| Match | White | | | Blue | Result | Time |
|-------|------------------|---|---|-------------------|--------|------|
| 1 | SOLOVEVA Ksenija | 1 | 2 | Alksne Vineta | 10 - 0 | 2:01 |
| 2 | SOLOVEVA Ksenija | 1 | 3 | ŠKALIKOVA Natalja | 10 - 0 | 2:52 |
| 3 | Alksne Vineta | 2 | 3 | ŠKALIKOVA Natalja | 0 - 10 | 0:10 |

Results

| Pos | Name |
|-----|------------------------------|
| 1 | SOLOVEVA Ksenija, Rosits |
| 2 | ŠKALIKOVA Natalja, Buffen-do |
| 3 | Alksne Vineta , Adazi |

Narva Judo Cup 2014 13.09.2014 BG-44

Competitors: 4

Competitors

| # | Name | Club | 1 | 2 | 3 | 4 | Wins | Pts | Pos |
|---|----------------------------|--------|----|----|---|----|------|-----|-----|
| 1 | JEVSTIGNEJEVA Eliza Marija | Adazi | | | | | 0 | 0 | 4 |
| 2 | NIKA Andra | Adazi | 10 | | | | 1 | 10 | 3 |
| 3 | ALBEKOVA Veronika | Rosits | 5 | 10 | | 10 | 3 | 25 | 1 |
| 4 | KÜTT Ines | Zen | 5 | 10 | | | 2 | 15 | 2 |

Matches

| Match | White | | Blue | | Result | Time |
|-------|----------------------------|---|------|-------------------|--------|------|
| 1 | JEVSTIGNEJEVA Eliza Marija | 1 | 2 | NIKA Andra | 0 - 10 | 0:33 |
| 2 | ALBEKOVA Veronika | 3 | 4 | KÜTT Ines | 10 - 0 | 1:07 |
| 3 | JEVSTIGNEJEVA Eliza Marija | 1 | 3 | ALBEKOVA Veronika | 0 - 5 | 3:00 |
| 4 | NIKA Andra | 2 | 4 | KÜTT Ines | 0 - 10 | 0:30 |
| 5 | JEVSTIGNEJEVA Eliza Marija | 1 | 4 | KÜTT Ines | 0 - 5 | 3:00 |
| 6 | NIKA Andra | 2 | 3 | ALBEKOVA Veronika | 0 - 10 | 1:42 |

Results

| Pos | Name |
|-----|-----------------------------------|
| 1 | ALBEKOVA Veronika, Rosits |
| 2 | KÜTT Ines, Zen |
| 3 | NIKA Andra, Adazi |
| 4 | JEVSTIGNEJEVA Eliza Marija, Adazi |

Narva Judo Cup 2014 13.09.2014 BG+63

Competitors: 5

Competitors

| # | Name | Club | 1 | 2 | 3 | 4 | 5 | Wins | Pts | Pos |
|---|------------------|--------|----|----|----|----|---|------|-----|-----|
| 1 | LUTSAR Merilin | Aitado | | 10 | 10 | | | 2 | 20 | 3 |
| 2 | SMILDZINA Darta | Adazi | | | 10 | | | 1 | 10 | 4 |
| 3 | SIMAITE Radvile | Birzai | | | | | | 0 | 0 | 5 |
| 4 | KARILAIID Annika | Aitado | 10 | 10 | 10 | | | 3 | 30 | 2 |
| 5 | RÄÄMET Siret | Aitado | 10 | 10 | 10 | 10 | | 4 | 40 | 1 |

Matches

| Match | White | | Blue | | Result | Time |
|-------|------------------|---|------|------------------|--------|------|
| 1 | KARILAIID Annika | 4 | 5 | RÄÄMET Siret | 0 - 10 | 0:10 |
| 2 | LUTSAR Merilin | 1 | 2 | SMILDZINA Darta | 10 - 0 | 0:30 |
| 3 | SIMAITE Radvile | 3 | 4 | KARILAIID Annika | 0 - 10 | 1:32 |
| 4 | LUTSAR Merilin | 1 | 5 | RÄÄMET Siret | 0 - 10 | 2:05 |
| 5 | SMILDZINA Darta | 2 | 3 | SIMAITE Radvile | 10 - 0 | 1:44 |
| 6 | LUTSAR Merilin | 1 | 4 | KARILAIID Annika | 0 - 10 | 2:36 |
| 7 | SIMAITE Radvile | 3 | 5 | RÄÄMET Siret | 0 - 10 | 1:02 |
| 8 | SMILDZINA Darta | 2 | 4 | KARILAIID Annika | 0 - 10 | 0:19 |
| 9 | LUTSAR Merilin | 1 | 3 | SIMAITE Radvile | 10 - 0 | 0:44 |
| 10 | SMILDZINA Darta | 2 | 5 | RÄÄMET Siret | 0 - 10 | 1:27 |

Results

| Pos | Name |
|-----|--------------------------|
| 1 | RÄÄMET Siret, Aitado |
| 2 | KARILAIID Annika, Aitado |
| 3 | LUTSAR Merilin, Aitado |
| 4 | SMILDZINA Darta, Adazi |
| 5 | SIMAITE Radvile, Birzai |

Narva Judo Cup 2014 13.09.2014 BB-81

Competitors: 4

Competitors

| # | Name | Club | 1 | 2 | 3 | 4 | Wins | Pts | Pos |
|---|----------------|---------|----|---|----|----|------|-----|-----|
| 1 | AGASIAN Artjom | Pskov | | | 10 | 10 | 2 | 20 | 2 |
| 2 | CHUROV Ilja | Kirishi | 10 | | 10 | 10 | 3 | 30 | 1 |
| 3 | MAKAROV Nikita | Adazi | | | | 10 | 1 | 10 | 3 |
| 4 | KROON Enriko | Toni JK | | | | | 0 | 0 | 4 |

Matches

| Match | White | | Blue | | Result | Time |
|-------|----------------|---|------|----------------|--------|------|
| 1 | AGASIAN Artjom | 1 | 2 | CHUROV Ilja | 0 - 10 | 0:13 |
| 2 | MAKAROV Nikita | 3 | 4 | KROON Enriko | 10 - 0 | 0:13 |
| 3 | AGASIAN Artjom | 1 | 3 | MAKAROV Nikita | 10 - 0 | 0:54 |
| 4 | CHUROV Ilja | 2 | 4 | KROON Enriko | 10 - 0 | 0:07 |
| 5 | AGASIAN Artjom | 1 | 4 | KROON Enriko | 10 - 0 | 1:51 |
| 6 | CHUROV Ilja | 2 | 3 | MAKAROV Nikita | 10 - 0 | 0:24 |

Results

| Pos | Name |
|-----|------------------------|
| 1 | CHUROV Ilja, Kirishi |
| 2 | AGASIAN Artjom , Pskov |
| 3 | MAKAROV Nikita, Adazi |
| 4 | KROON Enriko, Toni JK |

Narva Judo Cup 2014 13.09.2014 BB-73

Competitors: 5

Competitors

| # | Name | Club | 1 | 2 | 3 | 4 | 5 | Wins | Pts | Pos |
|---|----------------------|--------------|---|---|----|----|----|------|-----|-----|
| 1 | LESTSENKO Klimeti | Põhjakohtkas | | | 10 | 10 | | 2 | 20 | 3 |
| 2 | ANGAR Ruslan | Tver Olimp | 7 | | 10 | 10 | 10 | 4 | 37 | 1 |
| 3 | KHEMELIAINEN Maksim | Kirishi | | | | 10 | | 1 | 10 | 4 |
| 4 | TAMMELA Tanel Markus | Toni JK | | | | | | 0 | 0 | 5 |
| 5 | MARKILOV Roman | Buffen-do | 7 | | 10 | 10 | | 3 | 27 | 2 |

Matches

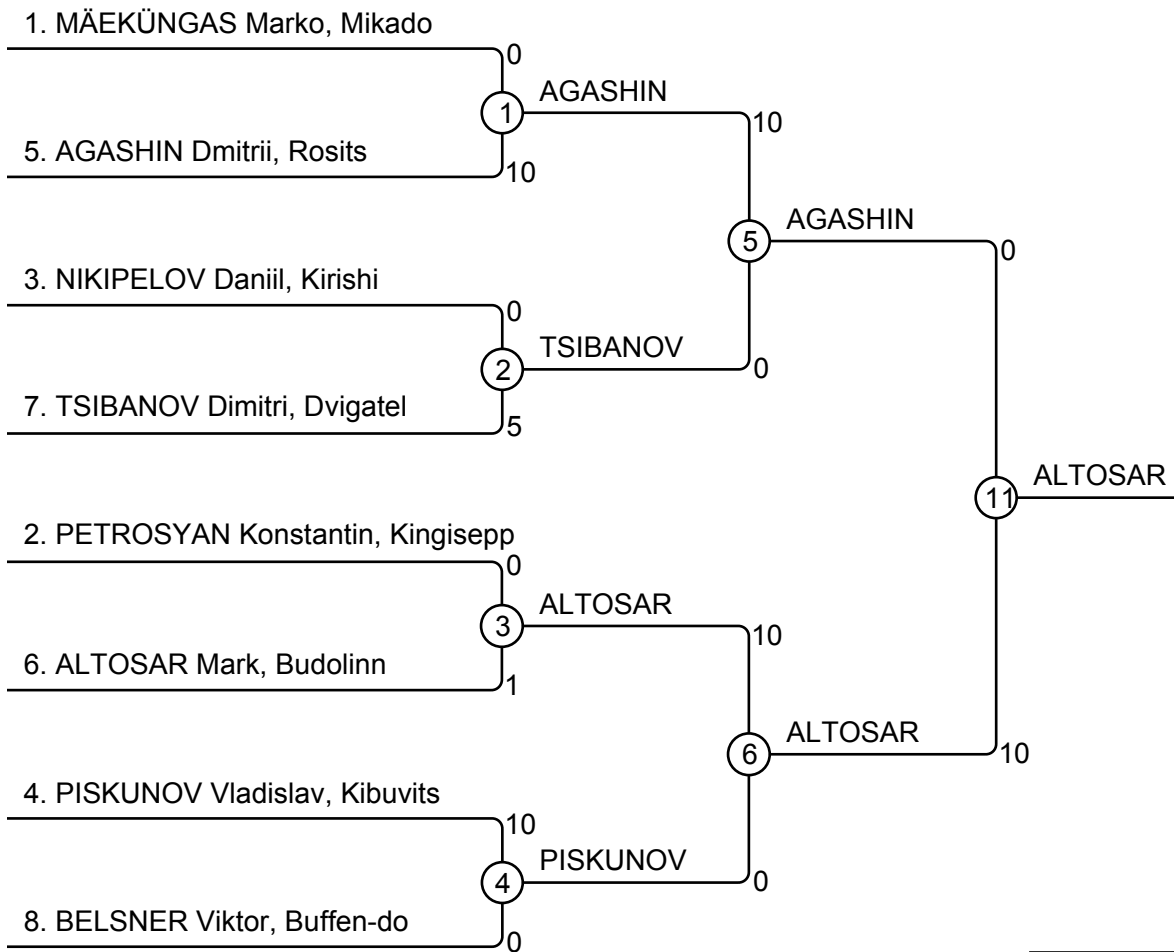
| Match | White | | Blue | | Result | Time |
|-------|----------------------|---|------|----------------------|--------|------|
| 1 | TAMMELA Tanel Markus | 4 | 5 | MARKILOV Roman | 0 - 10 | 0:09 |
| 2 | LESTSENKO Klimeti | 1 | 2 | ANGAR Ruslan | 0 - 7 | 3:00 |
| 3 | KHEMELIAINEN Maksim | 3 | 4 | TAMMELA Tanel Markus | 10 - 0 | 0:07 |
| 4 | LESTSENKO Klimeti | 1 | 5 | MARKILOV Roman | 0 - 7 | 3:00 |
| 5 | ANGAR Ruslan | 2 | 3 | KHEMELIAINEN Maksim | 10 - 0 | 0:24 |
| 6 | LESTSENKO Klimeti | 1 | 4 | TAMMELA Tanel Markus | 10 - 0 | 0:16 |
| 7 | KHEMELIAINEN Maksim | 3 | 5 | MARKILOV Roman | 0 - 10 | 2:29 |
| 8 | ANGAR Ruslan | 2 | 4 | TAMMELA Tanel Markus | 10 - 0 | 0:07 |
| 9 | LESTSENKO Klimeti | 1 | 3 | KHEMELIAINEN Maksim | 10 - 0 | 1:09 |
| 10 | ANGAR Ruslan | 2 | 5 | MARKILOV Roman | 10 - 0 | 0:16 |

Results

| Pos | Name |
|-----|---------------------------------|
| 1 | ANGAR Ruslan, Tver Olimp |
| 2 | MARKILOV Roman, Buffen-do |
| 3 | LESTSENKO Klimeti, Põhjakohtkas |
| 4 | KHEMELIAINEN Maksim, Kirishi |
| 5 | TAMMELA Tanel Markus, Toni JK |

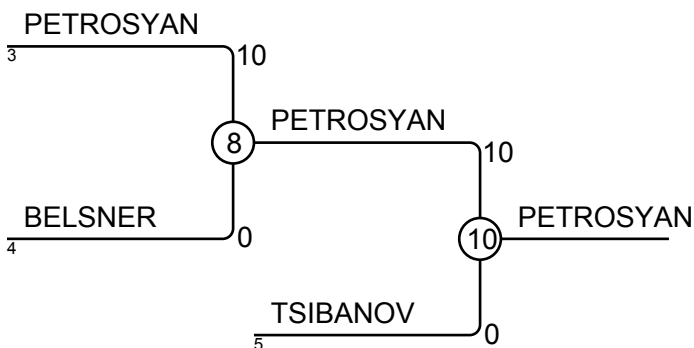
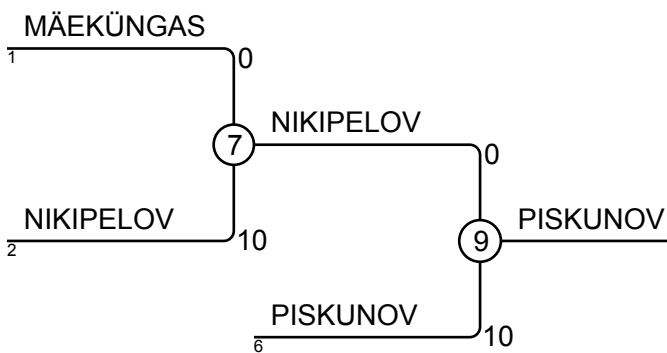
Narva Judo Cup 2014 13.09.2014 BB-66

Competitors: 8



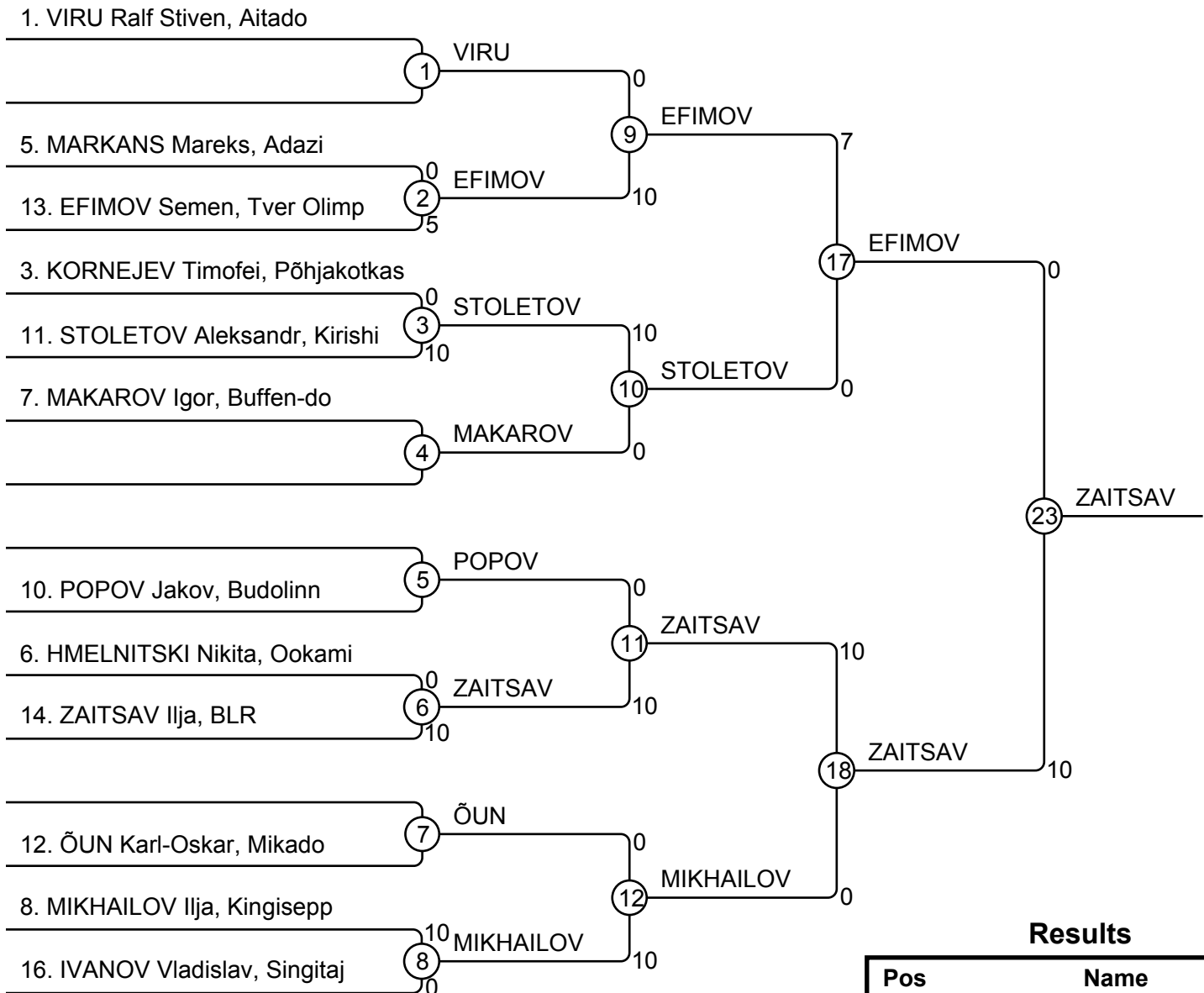
Results

| Pos | Name |
|-----|---------------------------------|
| 1 | ALTOSAR Mark, Budolinn |
| 2 | AGASHIN Dmitrii, Rosits |
| 3 | PISKUNOV Vladislav, Kibuvits |
| 3 | PETROSYAN Konstantin, Kingisepp |
| 5 | NIKIPELOV Daniil, Kirishi |
| 5 | TSIBANOV Dimitri, Dvigatel |
| 7 | MÄEKÜNGAS Marko, Mikado |
| 7 | BELSNER Viktor, Buffen-do |



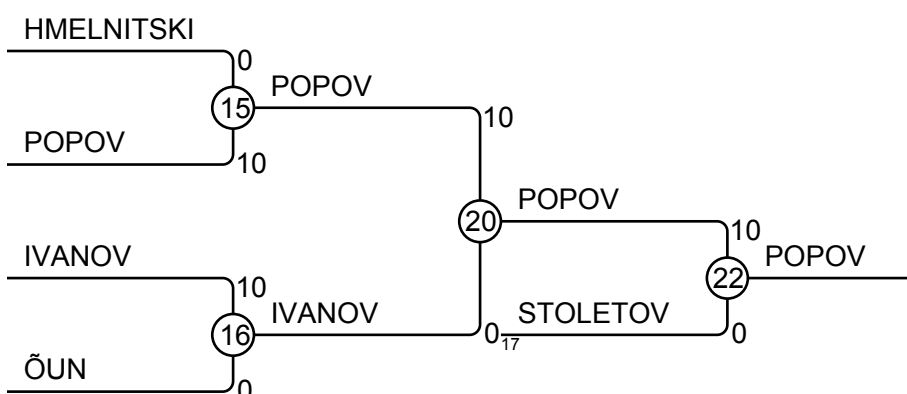
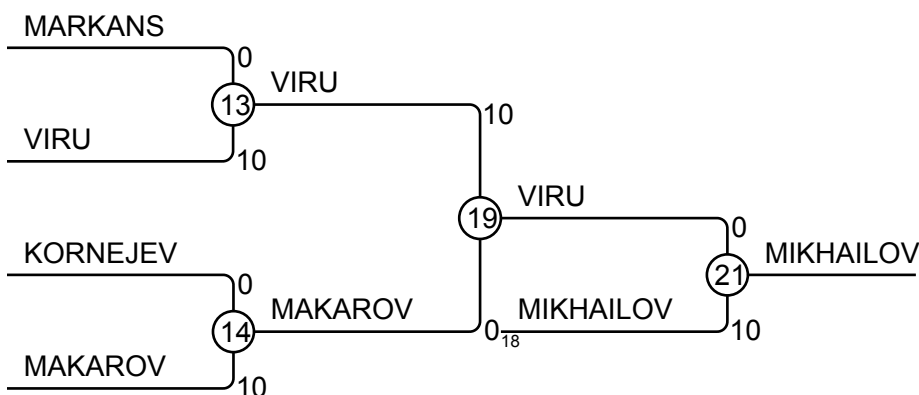
Narva Judo Cup 2014 13.09.2014 BB-60

Competitors: 12



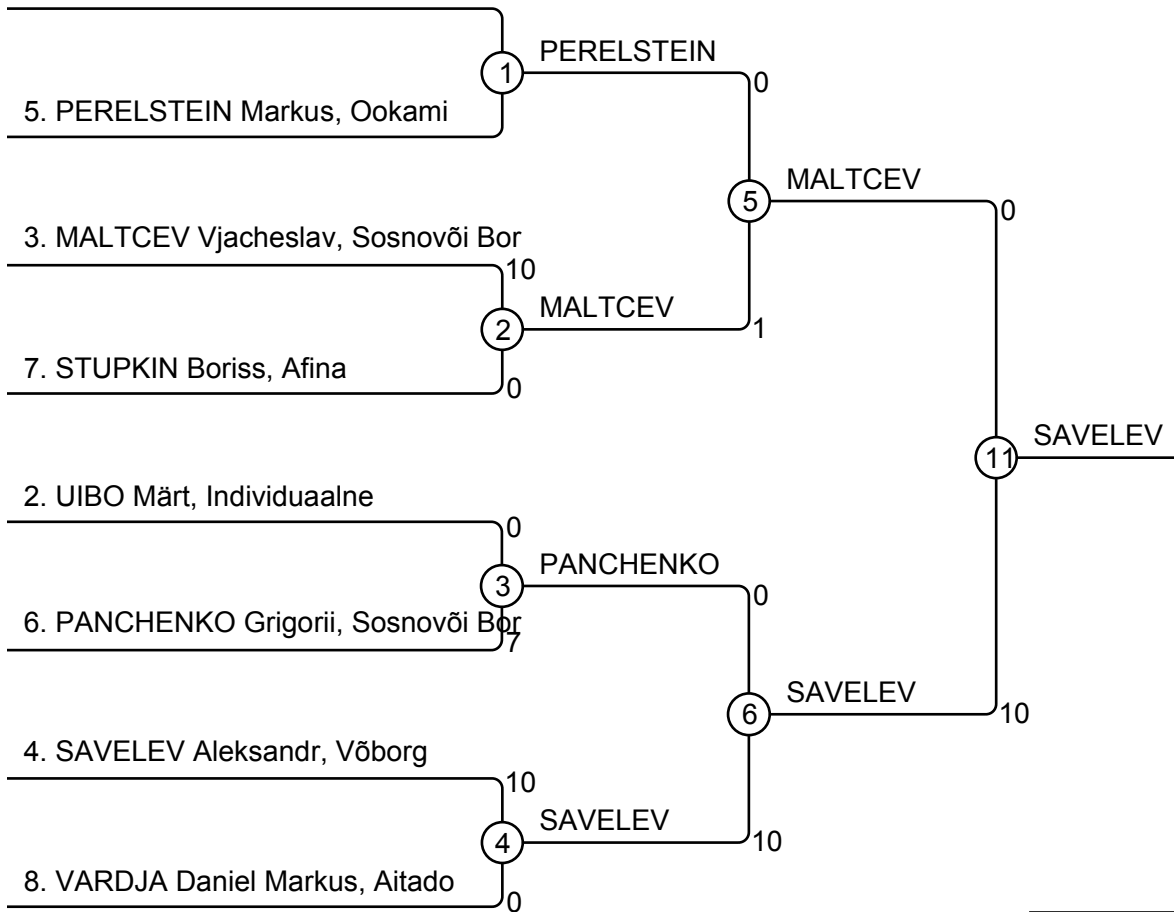
Results

| Pos | Name |
|-----|-----------------------------|
| 1 | ZAITSAV Ilja, BLR |
| 2 | EFIMOV Semen, Tver Olimp |
| 3 | MIKHAILOV Ilja, Kingisepp |
| 3 | POPOV Jakov, Budolinn |
| 5 | VIRU Ralf Stiven, Aitado |
| 5 | STOLETOV Aleksandr, Kirishi |
| 7 | MAKAROV Igor, Buffen-do |
| 7 | IVANOV Vladislav, Singitaj |



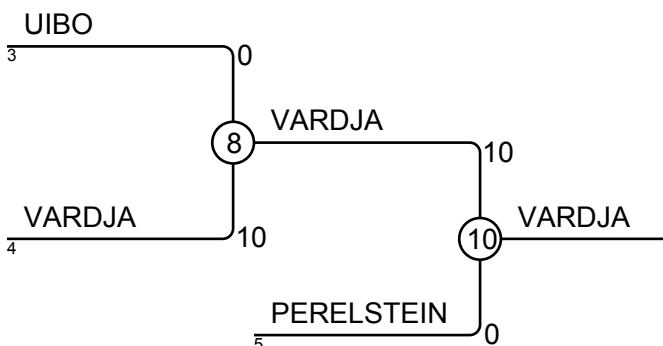
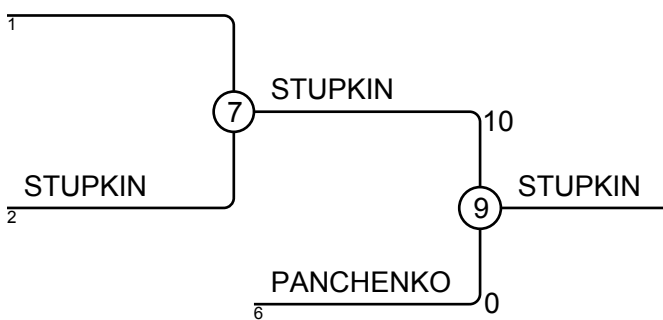
Narva Judo Cup 2014 13.09.2014 BB-55

Competitors: 7



Results

| Pos | Name |
|-----|----------------------------------|
| 1 | SAVELEV Aleksandr, Vöborg |
| 2 | MALTCEV Vjacheslav, Sosnovõi Bor |
| 3 | STUPKIN Boriss, Afina |
| 3 | VARDJA Daniel Markus, Aitado |
| 5 | PANCHENKO Grigorii, Sosnovõi Bor |
| 5 | PERELSTEIN Markus, Ookami |
| 7 | |
| 7 | UIBO Märt, Individuaalne |



Narva Judo Cup 2014 13.09.2014 BB-50

Competitors: 4

Competitors

| # | Name | Club | 1 | 2 | 3 | 4 | Wins | Pts | Pos |
|---|-------------------|------------|----|----|----|---|------|-----|-----|
| 1 | HARLAMOV Vladimir | Buffen-do | | 10 | | | 1 | 10 | 3 |
| 2 | SOE RObin | Rei | | | | | 0 | 0 | 4 |
| 3 | ISAEV Ramzan | Tver Olimp | 7 | 10 | | | 2 | 17 | 2 |
| 4 | KNOLIK Aleksandr | BLR | 10 | 10 | 10 | | 3 | 30 | 1 |

Matches

| Match | White | | Blue | | Result | Time |
|-------|-------------------|---|------|------------------|--------|------|
| 1 | HARLAMOV Vladimir | 1 | 2 | SOE RObin | 10 - 0 | 0:08 |
| 2 | ISAEV Ramzan | 3 | 4 | KNOLIK Aleksandr | 0 - 10 | 2:09 |
| 3 | HARLAMOV Vladimir | 1 | 3 | ISAEV Ramzan | 0 - 7 | 3:00 |
| 4 | SOE RObin | 2 | 4 | KNOLIK Aleksandr | 0 - 10 | 1:11 |
| 5 | HARLAMOV Vladimir | 1 | 4 | KNOLIK Aleksandr | 0 - 10 | 0:34 |
| 6 | SOE RObin | 2 | 3 | ISAEV Ramzan | 0 - 10 | 0:31 |

Results

| Pos | Name |
|-----|------------------------------|
| 1 | KNOLIK Aleksandr, BLR |
| 2 | ISAEV Ramzan, Tver Olimp |
| 3 | HARLAMOV Vladimir, Buffen-do |
| 4 | SOE RObin, Rei |

Narva Judo Cup 2014 13.09.2014 BB-46

Competitors: 4

Competitors

| # | Name | Club | 1 | 2 | 3 | 4 | Wins | Pts | Pos |
|---|-----------------|--------------|---|----|---|----|------|-----|-----|
| 1 | AMAZASPYAN Gor | Tver Olimp | | 1 | | 10 | 2 | 11 | 3 |
| 2 | ABKUEV Ali | Tver Olimp | | | | | 0 | 0 | 4 |
| 3 | SERGEJEV Viktor | BLR | 5 | 10 | | | 2 | 15 | 2 |
| 4 | AKHMETOV Rifat | Sosnovõi Bor | | 10 | 7 | | 2 | 17 | 1 |

Matches

| Match | White | | Blue | | Result | Time |
|-------|-----------------|---|------|-----------------|--------|------|
| 1 | AMAZASPYAN Gor | 1 | 2 | ABKUEV Ali | 1 - 0 | 2:00 |
| 2 | SERGEJEV Viktor | 3 | 4 | AKHMETOV Rifat | 0 - 7 | 3:00 |
| 3 | AMAZASPYAN Gor | 1 | 3 | SERGEJEV Viktor | 0 - 5 | 3:00 |
| 4 | ABKUEV Ali | 2 | 4 | AKHMETOV Rifat | 0 - 10 | 1:37 |
| 5 | AMAZASPYAN Gor | 1 | 4 | AKHMETOV Rifat | 10 - 0 | 1:54 |
| 6 | ABKUEV Ali | 2 | 3 | SERGEJEV Viktor | 0 - 10 | 0:15 |

Results

| Pos | Name |
|-----|------------------------------|
| 1 | AKHMETOV Rifat, Sosnovõi Bor |
| 2 | SERGEJEV Viktor, BLR |
| 3 | AMAZASPYAN Gor, Tver Olimp |
| 4 | ABKUEV Ali, Tver Olimp |

Narva Judo Cup 2014 13.09.2014 BB-42

Competitors: 5

Competitors

| # | Name | Club | 1 | 2 | 3 | 4 | 5 | Wins | Pts | Pos |
|---|-------------------|------------|----|---|----|----|----|------|-----|-----|
| 1 | ISAEV Muslim | Tver Olimp | | | | | 10 | 1 | 10 | 4 |
| 2 | KORCHEMKIN Danila | Kingisepp | 7 | | 10 | 10 | 10 | 4 | 37 | 1 |
| 3 | SAVI Markus | Aitado | 10 | | | 5 | 1 | 3 | 16 | 2 |
| 4 | RIZOVS Andrejs | Adazi | 10 | | | | 10 | 2 | 20 | 3 |
| 5 | MARINS Maksims | Adazi | | | | | | 0 | 0 | 5 |

Matches

| Match | White | | Blue | | Result | Time |
|-------|-------------------|---|------|-------------------|--------|------|
| 1 | RIZOVS Andrejs | 4 | 5 | MARINS Maksims | 10 - 0 | 1:27 |
| 2 | ISAEV Muslim | 1 | 2 | KORCHEMKIN Danila | 0 - 7 | 3:00 |
| 3 | SAVI Markus | 3 | 4 | RIZOVS Andrejs | 5 - 0 | 3:00 |
| 4 | ISAEV Muslim | 1 | 5 | MARINS Maksims | 10 - 0 | 1:17 |
| 5 | KORCHEMKIN Danila | 2 | 3 | SAVI Markus | 10 - 0 | 0:59 |
| 6 | ISAEV Muslim | 1 | 4 | RIZOVS Andrejs | 0 - 10 | 1:12 |
| 7 | SAVI Markus | 3 | 5 | MARINS Maksims | 1 - 0 | 3:08 |
| 8 | KORCHEMKIN Danila | 2 | 4 | RIZOVS Andrejs | 10 - 0 | 1:09 |
| 9 | ISAEV Muslim | 1 | 3 | SAVI Markus | 0 - 10 | 2:13 |
| 10 | KORCHEMKIN Danila | 2 | 5 | MARINS Maksims | 10 - 0 | 0:06 |

Results

| Pos | Name |
|-----|------------------------------|
| 1 | KORCHEMKIN Danila, Kingisepp |
| 2 | SAVI Markus, Aitado |
| 3 | RIZOVS Andrejs, Adazi |
| 4 | ISAEV Muslim, Tver Olimp |
| 5 | MARINS Maksims, Adazi |

Narva Judo Cup 2014 13.09.2014 BB-38

Competitors: 1

Competitors

| # | Name | Club | 1 | Wins | Pts | Pos |
|---|----------------|-------|---|------|-----|-----|
| 1 | RIZOVS Andreja | Adazi | | 0 | 0 | 1 |

Matches

| Match | White | Blue | Result | Time |
|-------|-------|------|--------|------|
|-------|-------|------|--------|------|

Results

| Pos | Name |
|-----|-----------------------|
| 1 | RIZOVS Andreja, Adazi |

Narva Judo Cup 2014 13.09.2014 BB+81

Competitors: 4

Competitors

| # | Name | Club | 1 | 2 | 3 | 4 | Wins | Pts | Pos |
|---|--------------------------|------------|----|----|---|----|------|-----|-----|
| 1 | TORBEK Tarmo Eric | Zen | | 5 | | | 1 | 5 | 3 |
| 2 | HAINLA Ervin | Audentes | | | | | 0 | 0 | 4 |
| 3 | VAKALAS Aldas | Birzai | 10 | 10 | | 10 | 3 | 30 | 1 |
| 4 | KHARKHARDINOV Vjacheslav | Tver Olimp | 10 | 10 | | | 2 | 20 | 2 |

Matches

| Match | White | | Blue | | Result | Time |
|-------|-------------------|---|------|--------------------------|--------|------|
| 1 | TORBEK Tarmo Eric | 1 | 2 | HAINLA Ervin | 5 - 0 | 3:00 |
| 2 | VAKALAS Aldas | 3 | 4 | KHARKHARDINOV Vjacheslav | 10 - 0 | 1:47 |
| 3 | TORBEK Tarmo Eric | 1 | 3 | VAKALAS Aldas | 0 - 10 | 0:26 |
| 4 | HAINLA Ervin | 2 | 4 | KHARKHARDINOV Vjacheslav | 0 - 10 | 0:46 |
| 5 | TORBEK Tarmo Eric | 1 | 4 | KHARKHARDINOV Vjacheslav | 0 - 10 | 0:09 |
| 6 | HAINLA Ervin | 2 | 3 | VAKALAS Aldas | 0 - 10 | 0:42 |

Results

| Pos | Name |
|-----|--------------------------------------|
| 1 | VAKALAS Aldas, Birzai |
| 2 | KHARKHARDINOV Vjacheslav, Tver Olimp |
| 3 | TORBEK Tarmo Eric, Zen |
| 4 | HAINLA Ervin, Audentes |