

XLI Juniors Estonian Open 28.02.2015 Tartu M+100

Competitors: 2

Competitors

#	Name	Club	1	2	1	2	1	2	Wins	Pts	Pos
1	RUSINS RALFS	ADAZU BJSS		10		10			2	20	1
2	KARRO TANEL	AUDENTES							0	0	2

Matches

Match	White			Blue	Result	Time
1	RUSINS RALFS	1	2	KARRO TANEL	10 - 0	1:24
2	RUSINS RALFS	1	2	KARRO TANEL	10 - 0	0:53
3	RUSINS RALFS	1	2	KARRO TANEL		

Results

Pos	Name
1	RUSINS RALFS, ADAZU BJSS
2	KARRO TANEL, AUDENTES

XLI Juniors Estonian Open 28.02.2015 Tartu M-100

Competitors: 7

Competitors A

#	Name	Club	1	2	3	4	Wins	Pts	Pos
1	BONDAR NIKITA	LIDO		10			1	10	3
2	SKREBELS Rojs	LaT					0	0	4
3	KUZNETSOV JEVGENI	AFINA	1	1			2	2	2
4	TURUNEN TATU	FINLAND	10	10	10		3	30	1

Matches A

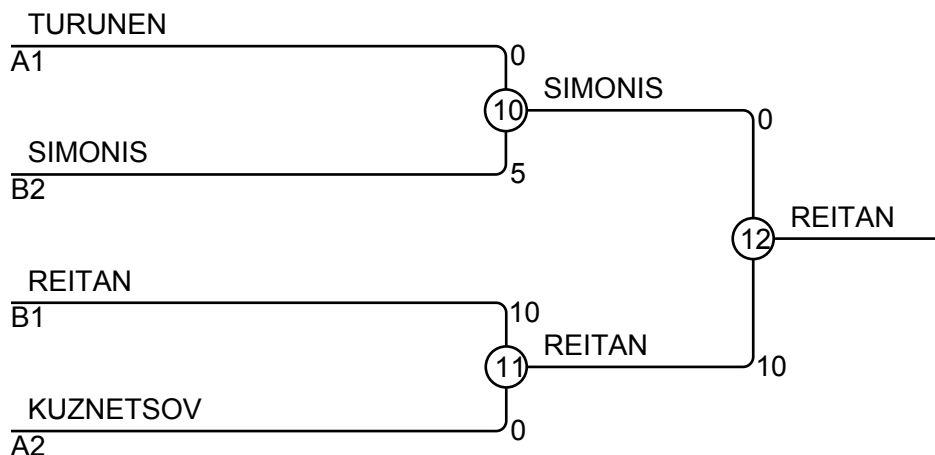
Match	White	Blue	Result	Time
1	BONDAR NIKITA 1 2	SKREBELS Rojs	10 - 0	2:51
2	KUZNETSOV JEVGENI 3 4	TURUNEN TATU	0 - 10	3:26
4	BONDAR NIKITA 1 3	KUZNETSOV JEVGENI	0 - 1	4:30
5	SKREBELS Rojs 2 4	TURUNEN TATU	0 - 10	2:14
7	BONDAR NIKITA 1 4	TURUNEN TATU	0 - 10	2:29
8	SKREBELS Rojs 2 3	KUZNETSOV JEVGENI	0 - 1	4:00

Competitors B

#	Name	Club	5	6	7	Wins	Pts	Pos
5	KOPMANIS ELVIS	ALUKSNE				0	0	3
6	REITAN HENRIK	NORWAY	10		10	2	20	1
7	SIMONIS Rokas	LTU	10			1	10	2

Matches B

Match	White	Blue	Result	Time
3	KOPMANIS ELVIS 5 6	REITAN HENRIK	0 - 10	0:51
6	KOPMANIS ELVIS 5 7	SIMONIS Rokas	0 - 10	0:39
9	REITAN HENRIK 6 7	SIMONIS Rokas	10 - 0	2:32



Results

Pos	Name
1	REITAN HENRIK, NORWAY
2	SIMONIS Rokas, LTU
3	TURUNEN TATU, FINLAND
3	KUZNETSOV JEVGENI, AFINA

XLI Juniors Estonian Open 28.02.2015 Tartu M-60

Competitors: 7

Competitors A

#	Name	Club	1	2	3	4	Wins	Pts	Pos
1	NÖRDSTROM JOHAN	IK SÖDRA		10	10	10	3	30	1
2	TUURALA HENRI	FINLAND			10	10	2	20	2
3	LITJASOVDS DMITRIJS	LJEPAJA KSS				10	1	10	3
4	SOONISTE BRETT	DO					0	0	4

Matches A

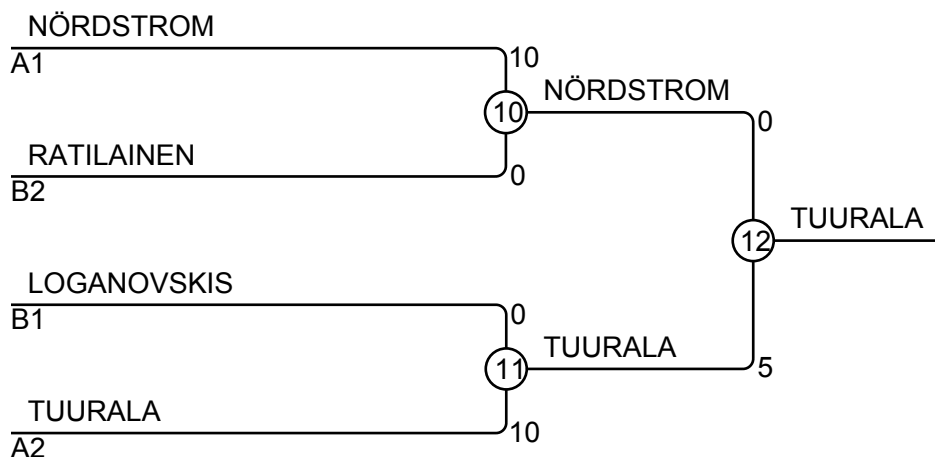
Match	White	Blue	Result	Time
1	NÖRDSTROM JOHAN 1	TUURALA HENRI 2	10 - 0	3:34
2	LITJASOVDS DMITRIJS 3	SOONISTE BRETT 4	10 - 0	1:27
4	NÖRDSTROM JOHAN 1	LITJASOVDS DMITRIJS 3	10 - 0	1:10
5	TUURALA HENRI 2	SOONISTE BRETT 4	10 - 0	0:13
7	NÖRDSTROM JOHAN 1	SOONISTE BRETT 4	10 - 0	2:52
8	TUURALA HENRI 2	LITJASOVDS DMITRIJS 3	10 - 0	0:11

Competitors B

#	Name	Club	5	6	7	Wins	Pts	Pos
5	RATILAINEN JANI	FINLAND			10	1	10	2
6	LOGANOVSKIS KIRILS	LJEPAJA KSS	10		10	2	20	1
7	HEFFERMEHL JOHAN	NORWAY				0	0	3

Matches B

Match	White	Blue	Result	Time
3	RATILAINEN JANI 5	LOGANOVSKIS KIRILS 6	0 - 10	3:06
6	RATILAINEN JANI 5	HEFFERMEHL JOHAN 7	10 - 0	3:01
9	LOGANOVSKIS KIRILS 6	HEFFERMEHL JOHAN 7	10 - 0	0:21

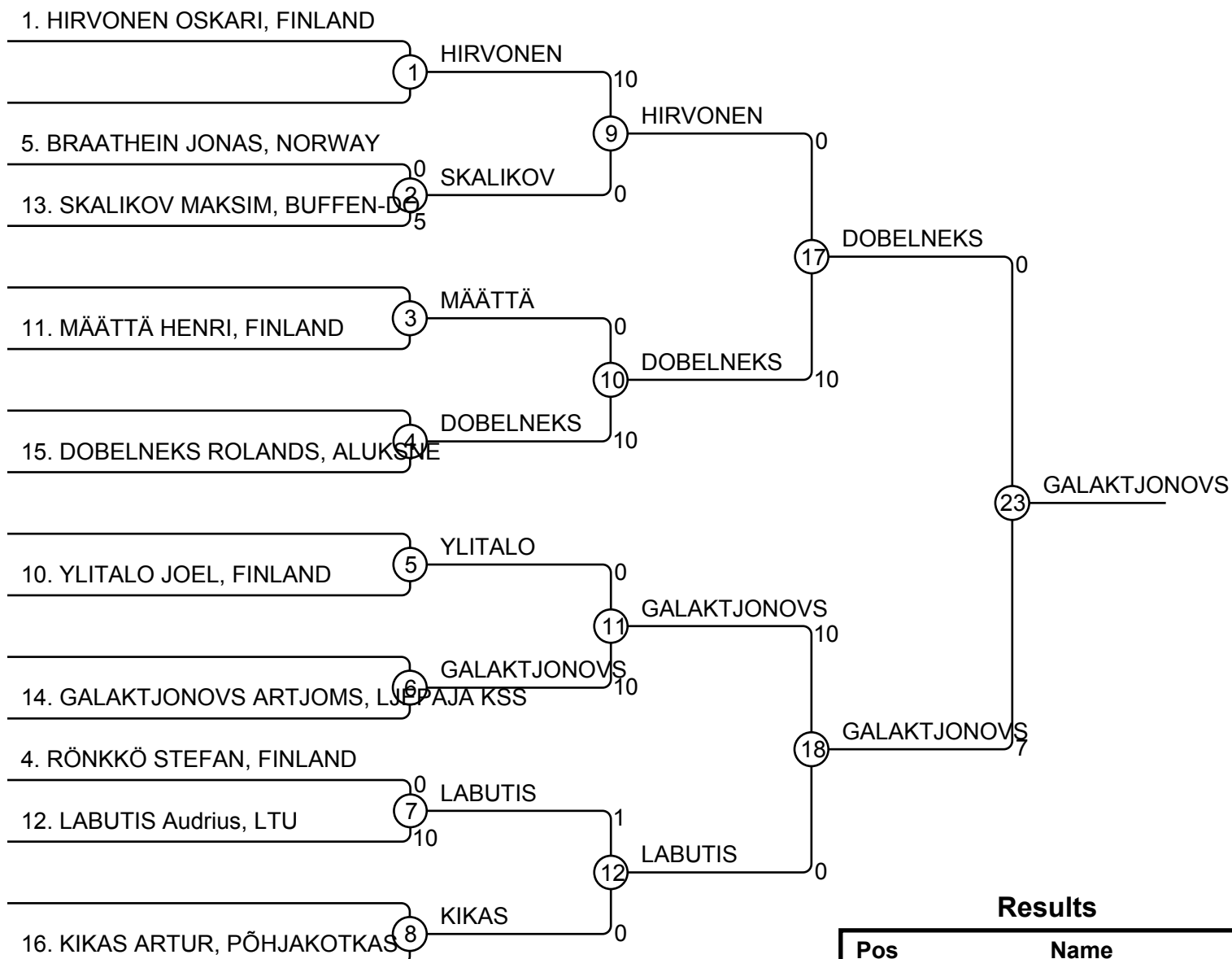


Results

Pos	Name
1	TUURALA HENRI, FINLAND
2	NÖRDSTROM JOHAN, IK SÖDRA
3	RATILAINEN JANI, FINLAND
3	LOGANOVSKIS KIRILS, LJEPAJA KSS

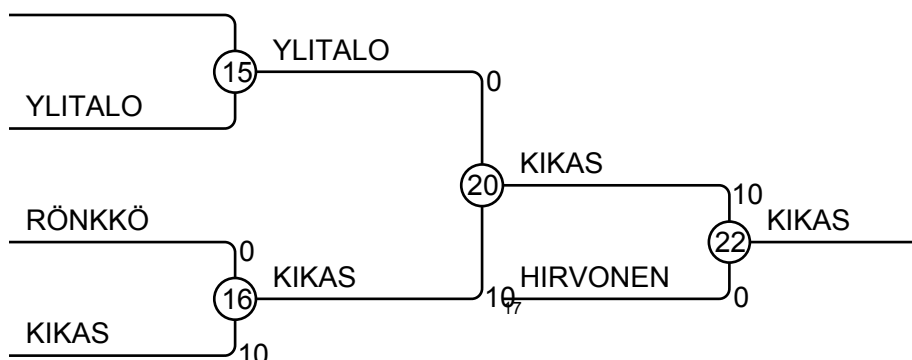
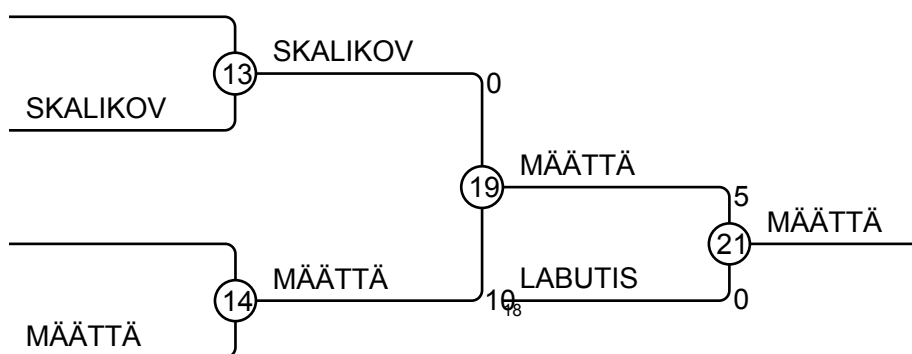
XLI Juniors Estonian Open 28.02.2015 Tartu M-66

Competitors: 10



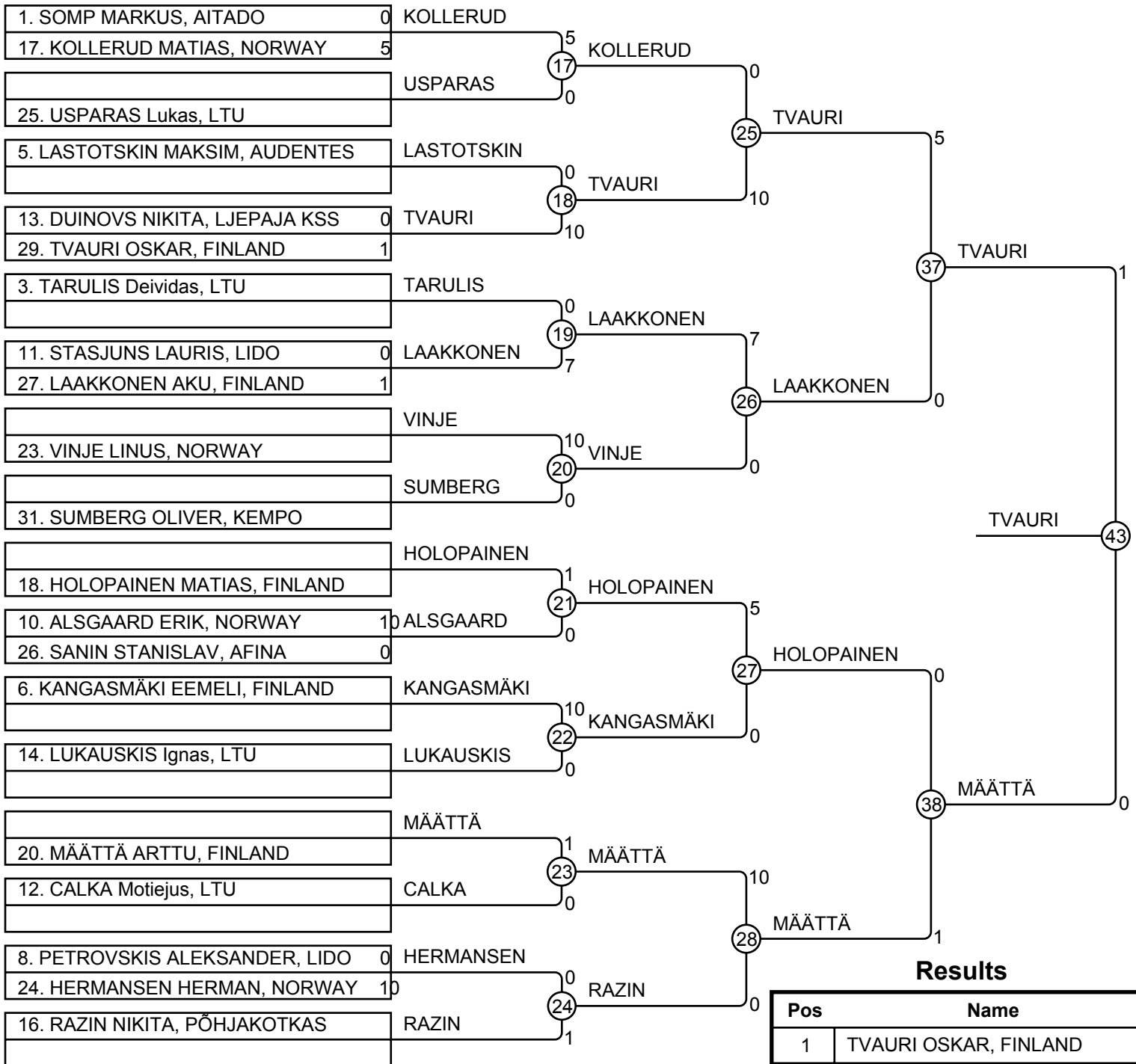
Results

Pos	Name
1	GALAKTJONOV S ARTJOMS, LJEPAJA KSS
2	DOBELNEKS ROLANDS, ALUKSNE
3	MÄÄTTÄ HENRI, FINLAND
3	KIKAS ARTUR, PÕHJAKOTKAS
5	LABUTIS Audrius, LTU
5	HIRVONEN OSKARI, FINLAND
7	SKALIKOV MAKSIM, BUFFEN-DO
7	YLITALO JOEL, FINLAND



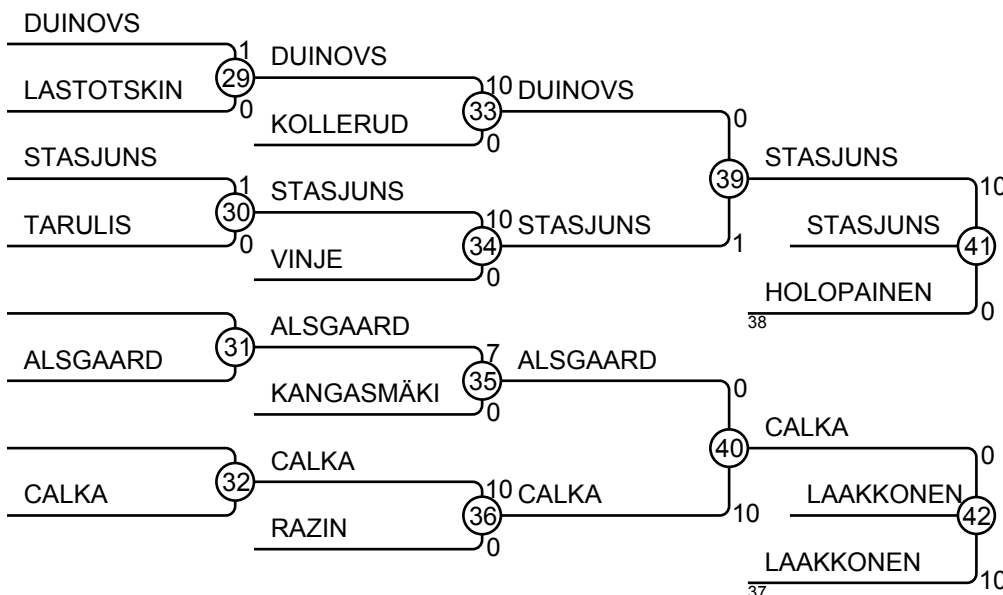
XLI Juniors Estonian Open 28.02.2015 Tartu M-73

Competitors: 21



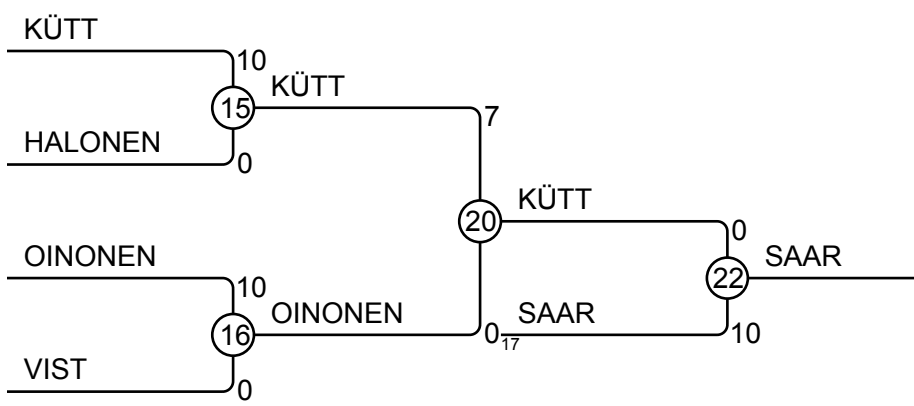
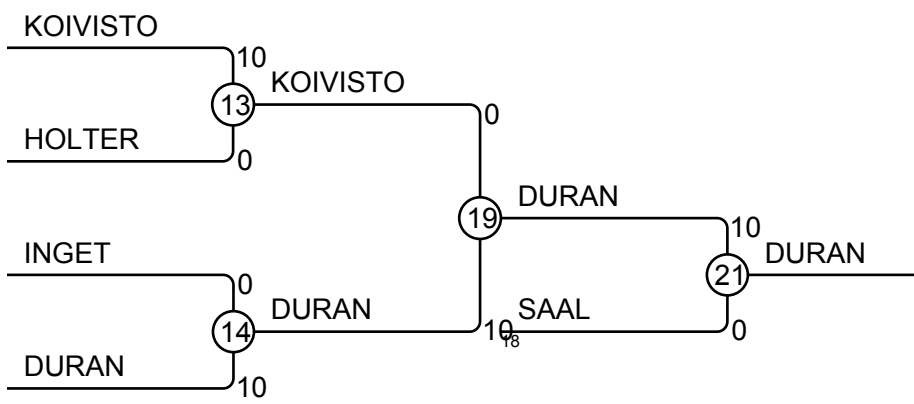
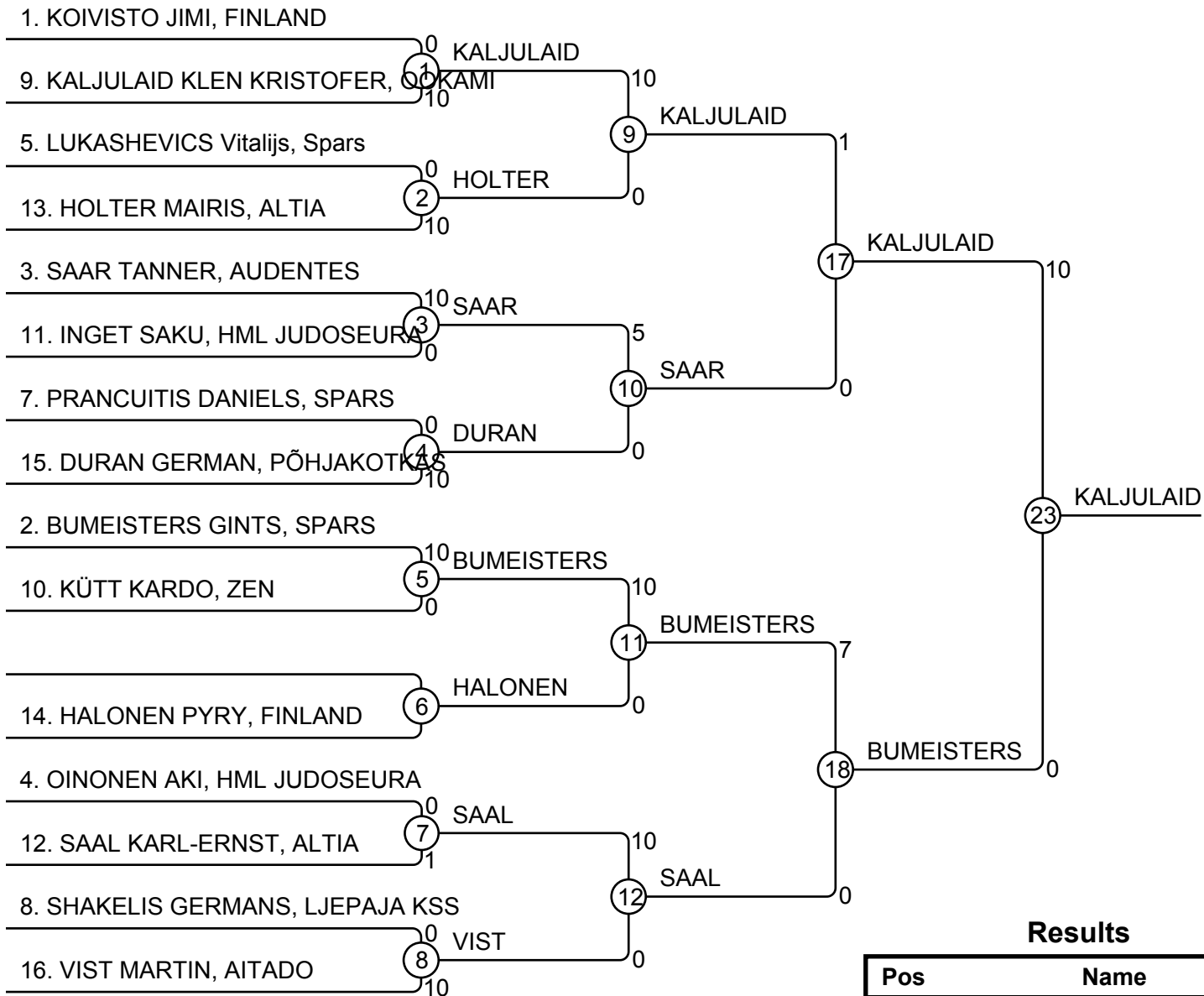
Results

Pos	Name
1	TVAURI OSKAR, FINLAND
2	MÄÄTTÄ ARTTU, FINLAND
3	STASJUNS LAURIS, LIDO
3	LAAKKONEN AKU, FINLAND
5	HOLOPAINEN MATIAS, FINLAND
5	CALKA Motiejus, LTU
7	DUINOVS NIKITA, LJEPAJA KSS
7	ALSGAARD ERIK, NORWAY



XLI Juniors Estonian Open 28.02.2015 Tartu M-81

Competitors: 15



Results

Pos	Name
1	KALJULAIID KLEN KRISTOFER, OOKAMI
2	BUMEISTERS GINTS, SPARS
3	DURAN GERMAN, PÕHJAKOTKAS
3	SAAR TANNER, AUDENTES
5	SAAL KARL-ERNST, ALTIA
5	KÜTT KARDO, ZEN
7	KOIVISTO JIMI, FINLAND
7	OINONEN AKI, HML JUDOSEURA

XLI Juniors Estonian Open 28.02.2015 Tartu M-90

Competitors: 5

Competitors

#	Name	Club	1	2	3	4	5	Wins	Pts	Pos
1	LAAMANEN AATU	FINLAND			10	10	7	3	27	1
2	HANNULA HENRI	HML JUDOSEURA	5		10	10		3	25	2
3	BENINS OSKARS	ALUKSNE				10	10	2	20	3
4	KALININ ALEKSANDER	AUDENTES						0	0	5
5	KUUSIK Mattias	Do		10		10		2	20	4

Matches

Match	White			Blue	Result	Time
1	KALININ ALEKSANDER	4	5	KUUSIK Mattias	0 - 10	1:13
2	LAAMANEN AATU	1	2	HANNULA HENRI	0 - 5	5:38
3	BENINS OSKARS	3	4	KALININ ALEKSANDER	10 - 0	0:30
4	LAAMANEN AATU	1	5	KUUSIK Mattias	7 - 0	4:00
5	HANNULA HENRI	2	3	BENINS OSKARS	10 - 0	1:11
6	LAAMANEN AATU	1	4	KALININ ALEKSANDER	10 - 0	1:31
7	BENINS OSKARS	3	5	KUUSIK Mattias	10 - 0	1:53
8	HANNULA HENRI	2	4	KALININ ALEKSANDER	10 - 0	0:18
9	LAAMANEN AATU	1	3	BENINS OSKARS	10 - 0	1:58
10	HANNULA HENRI	2	5	KUUSIK Mattias	0 - 10	3:25

Results

Pos	Name
1	LAAMANEN AATU, FINLAND
2	HANNULA HENRI, HML JUDOSEURA
3	BENINS OSKARS, ALUKSNE
4	KUUSIK Mattias, Do
5	KALININ ALEKSANDER, AUDENTES

XLI Juniors Estonian Open 28.02.2015 Tartu W-52

Competitors: 2

Competitors

#	Name	Club	1	2	1	2	1	2	Wins	Pts	Pos
1	BERZINA ANITA AIGA	ADAZU BJSS				10			1	10	2
2	KAUP CARIS HELENA	OOKAMI	10				10		2	20	1

Matches

Match	White			Blue	Result	Time
1	BERZINA ANITA AIGA	1	2	KAUP CARIS HELENA	0 - 10	0:00
2	BERZINA ANITA AIGA	1	2	KAUP CARIS HELENA	10 - 0	0:00
3	BERZINA ANITA AIGA	1	2	KAUP CARIS HELENA	0 - 10	0:00

Results

Pos	Name
1	KAUP CARIS HELENA, OOKAMI
2	BERZINA ANITA AIGA, ADAZU BJSS

XLI Juniors Estonian Open 28.02.2015 Tartu W-57

Competitors: 2

Competitors

#	Name	Club	1	2	Wins	Pts	Pos
1	JOKINEN ANNIINA	FINLAND		10	1	10	1
2	ROSSI EMMI	FINLAND			0	0	2

Matches

Match	White			Blue	Result	Time
1	JOKINEN ANNIINA	1	2	ROSSI EMMI	10 - 0	0:50

Results

Pos	Name
1	JOKINEN ANNIINA, FINLAND
2	ROSSI EMMI, FINLAND

XLI Juniors Estonian Open 28.02.2015 Tartu W-63

Competitors: 3

Competitors

#	Name	Club	1	2	3	Wins	Pts	Pos
1	NAZAROVA SERAFIMA	ADAZU BJSS				0	0	3
2	KRUMINA DIANA	LIDO	10			1	10	2
3	BARTON ALEXANDRA	FINLAND	10	10		2	20	1

Matches

Match	White			Blue	Result	Time
1	NAZAROVA SERAFIMA	1	2	KRUMINA DIANA	0 - 10	1:43
2	NAZAROVA SERAFIMA	1	3	BARTON ALEXANDRA	0 - 10	0:31
3	KRUMINA DIANA	2	3	BARTON ALEXANDRA	0 - 10	0:56

Results

Pos	Name
1	BARTON ALEXANDRA, FINLAND
2	KRUMINA DIANA, LIDO
3	NAZAROVA SERAFIMA, ADAZU BJSS

XLI Juniors Estonian Open 28.02.2015 Tartu W-70

Competitors: 2

Competitors

#	Name	Club	1	2	Wins	Pts	Pos
1	MAISTE BRITT	AITADO			0	0	2
2	NAELSO KRISTEL	TAIFU	10		1	10	1

Matches

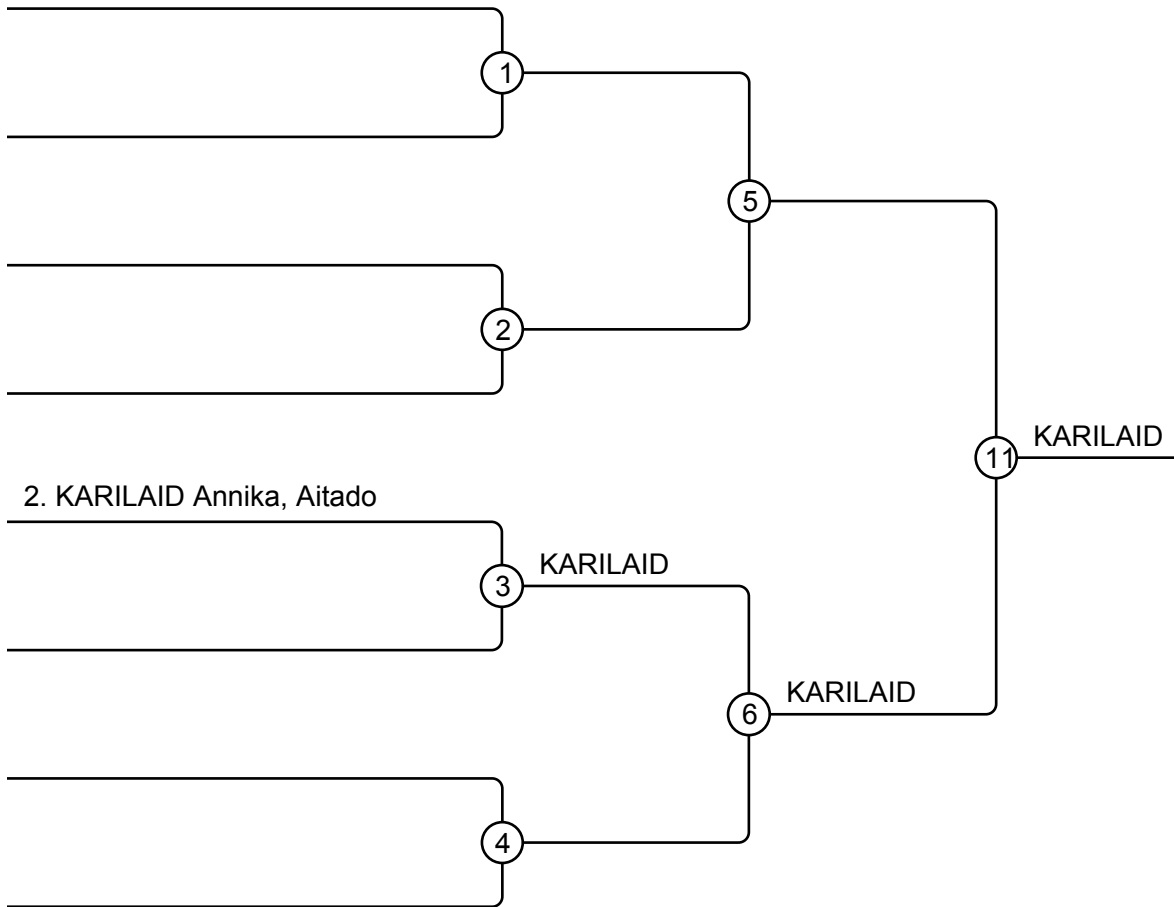
Match	White			Blue	Result	Time
1	MAISTE BRITT	1	2	NAELSO KRISTEL	0 - 10	0:29

Results

Pos	Name
1	NAELSO KRISTEL, TAIFU
2	MAISTE BRITT, AITADO

XLI Juniors Estonian Open 28.02.2015 Tartu W-78

Competitors: 1



Results

Pos	Name
1	KARILAID Annika, Aitado
2	
3	
3	
5	
5	
7	
7	

