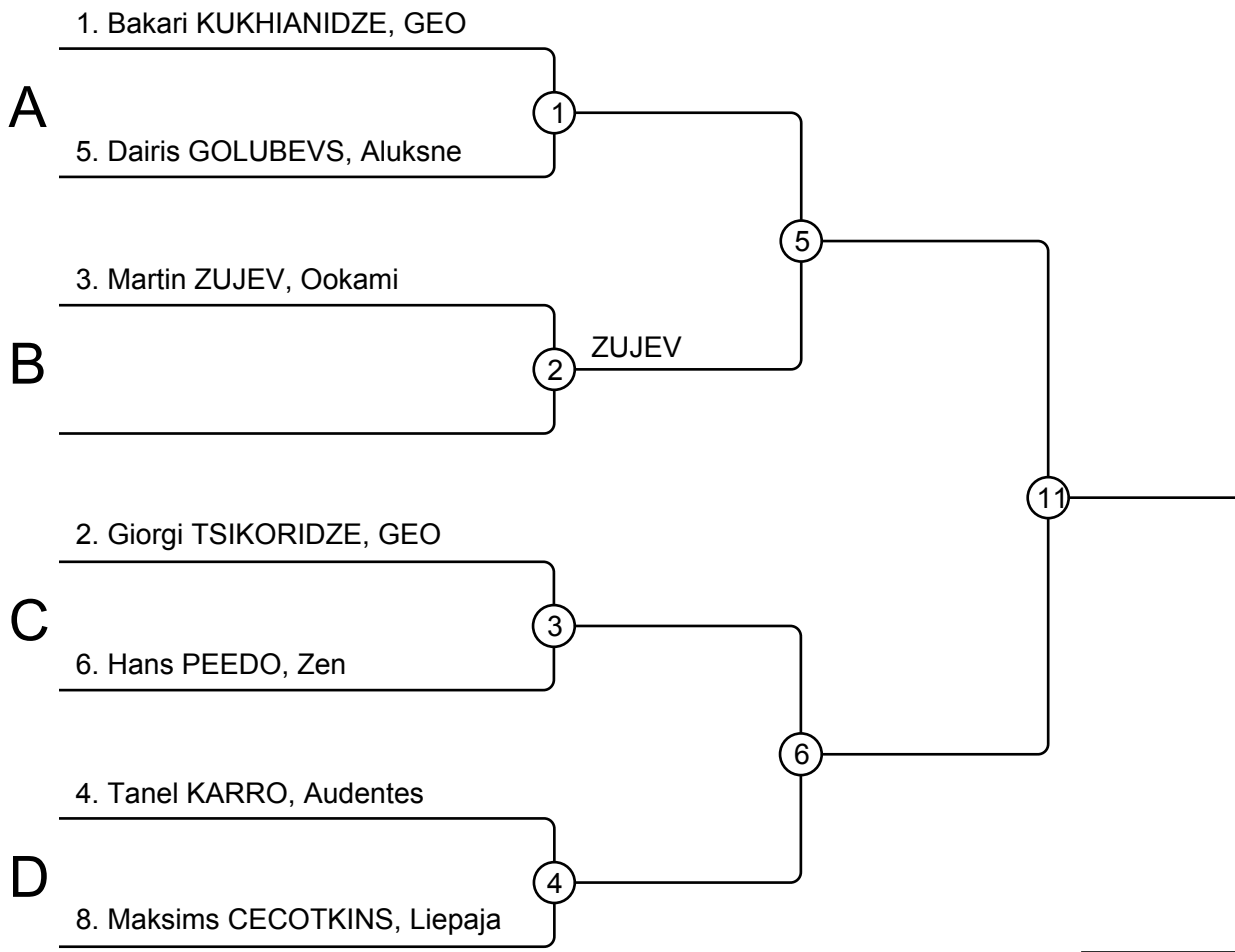


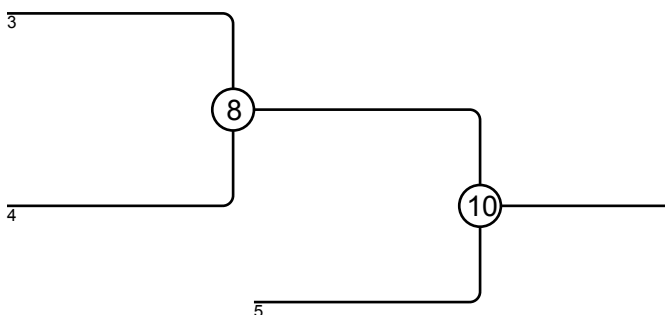
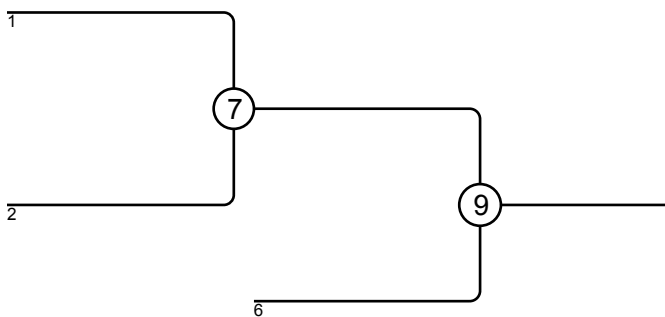
42nd Estonian Juniors Open 27.02.2016 Tartu M+100

Competitors: 7



Results

Pos	Name
1	
2	
3	
3	
5	
5	
7	
7	



42nd Estonian Juniors Open 27.02.2016 Tartu M-100

Competitors: 4

Competitors

#	Name	Grade	Club	1	2	3	4	Wins	Pts	Pos
1	Aleksejs AKIMENKO	?	VZDS							
2	Artjoms RATNIKOVS	?	Adazu BJSS							
3	Sander LUDVIG	?	Do							
4	Erik BECKER	?	JC Rüsselsheim							

Matches

Match	White			Blue	Result	Time
1	Aleksejs AKIMENKO	1	2	Artjoms RATNIKOVS		
2	Sander LUDVIG	3	4	Erik BECKER		
3	Aleksejs AKIMENKO	1	3	Sander LUDVIG		
4	Artjoms RATNIKOVS	2	4	Erik BECKER		
5	Aleksejs AKIMENKO	1	4	Erik BECKER		
6	Artjoms RATNIKOVS	2	3	Sander LUDVIG		

Results

Pos	Name
1	
2	
3	
4	

42nd Estonian Juniors Open 27.02.2016 Tartu M-55

Competitors: 5

Competitors

#	Name	Grade	Club	1	2	3	4	5	Wins	Pts	Pos
1	Sergejs HROMENKOVS	?	Liepaja								
2	Raimonds TAUBE	?	Adazu BJSS								
3	Giordi TUTASHVILI	?	GEO								
4	Theodor EHARI	?	Do								
5	Rasmus LEINASAAR	?	Kempo								

Matches

Match	White		Blue		Result	Time
1	Theodor EHARI	4	5	Rasmus LEINASAAR		
2	Sergejs HROMENKOVS	1	2	Raimonds TAUBE		
3	Giordi TUTASHVILI	3	4	Theodor EHARI		
4	Sergejs HROMENKOVS	1	5	Rasmus LEINASAAR		
5	Raimonds TAUBE	2	3	Giordi TUTASHVILI		
6	Sergejs HROMENKOVS	1	4	Theodor EHARI		
7	Giordi TUTASHVILI	3	5	Rasmus LEINASAAR		
8	Raimonds TAUBE	2	4	Theodor EHARI		
9	Sergejs HROMENKOVS	1	3	Giordi TUTASHVILI		
10	Raimonds TAUBE	2	5	Rasmus LEINASAAR		

Results

Pos	Name
1	
2	
3	
4	
5	

42nd Estonian Juniors Open 27.02.2016 Tartu M-60

Competitors: 9

1. Uldis NARTISS, Adazu BJSS

A

5. Henri TUURALA, FIN

B

11. Daniels MOROZS, Liepaja

15. Norbert Daniels DOVGANS, Aluksne

C

10. Joel YLITALO, FIN

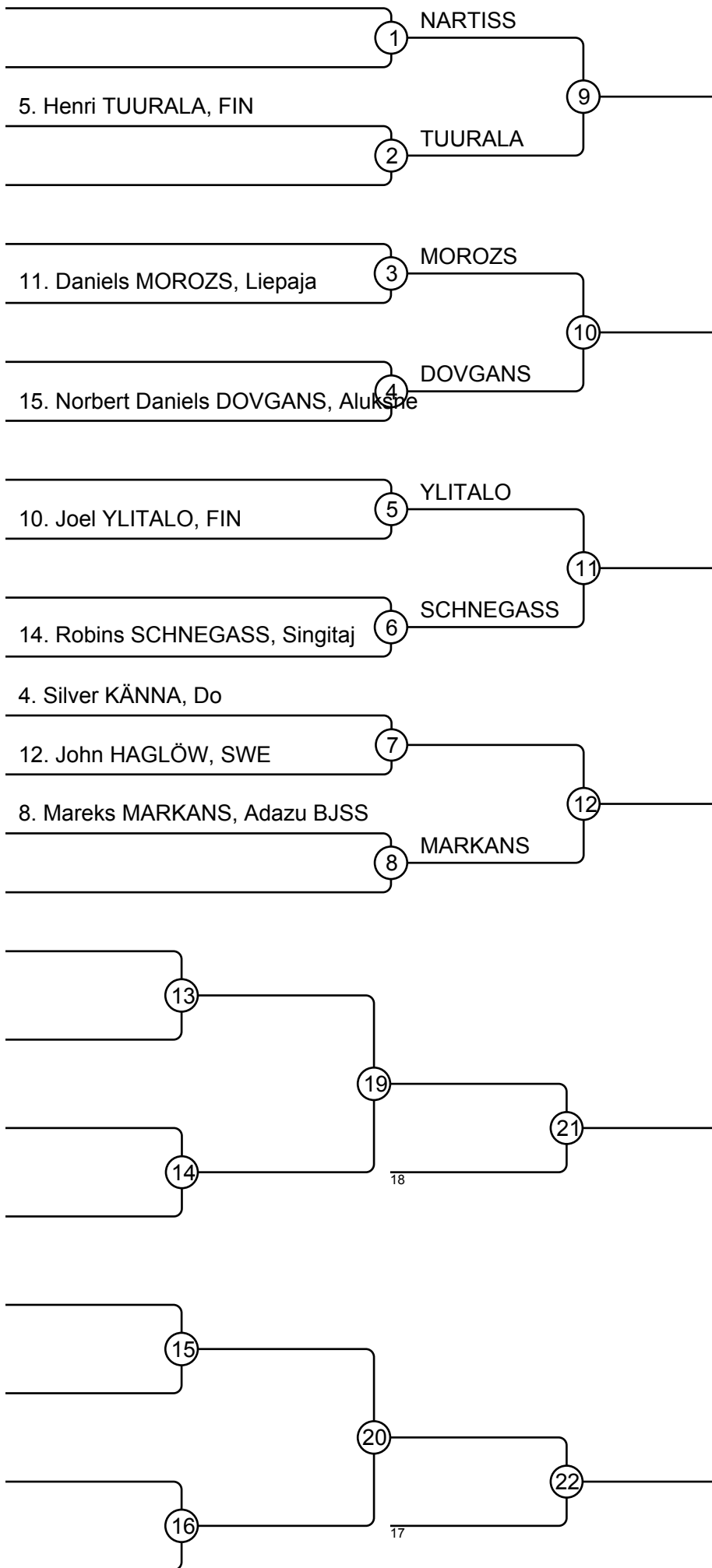
14. Robins SCHNEGASS, Singitaj

D

4. Silver KÄNNA, Do

12. John HAGLÖW, SWE

8. Mareks MARKANS, Adazu BJSS

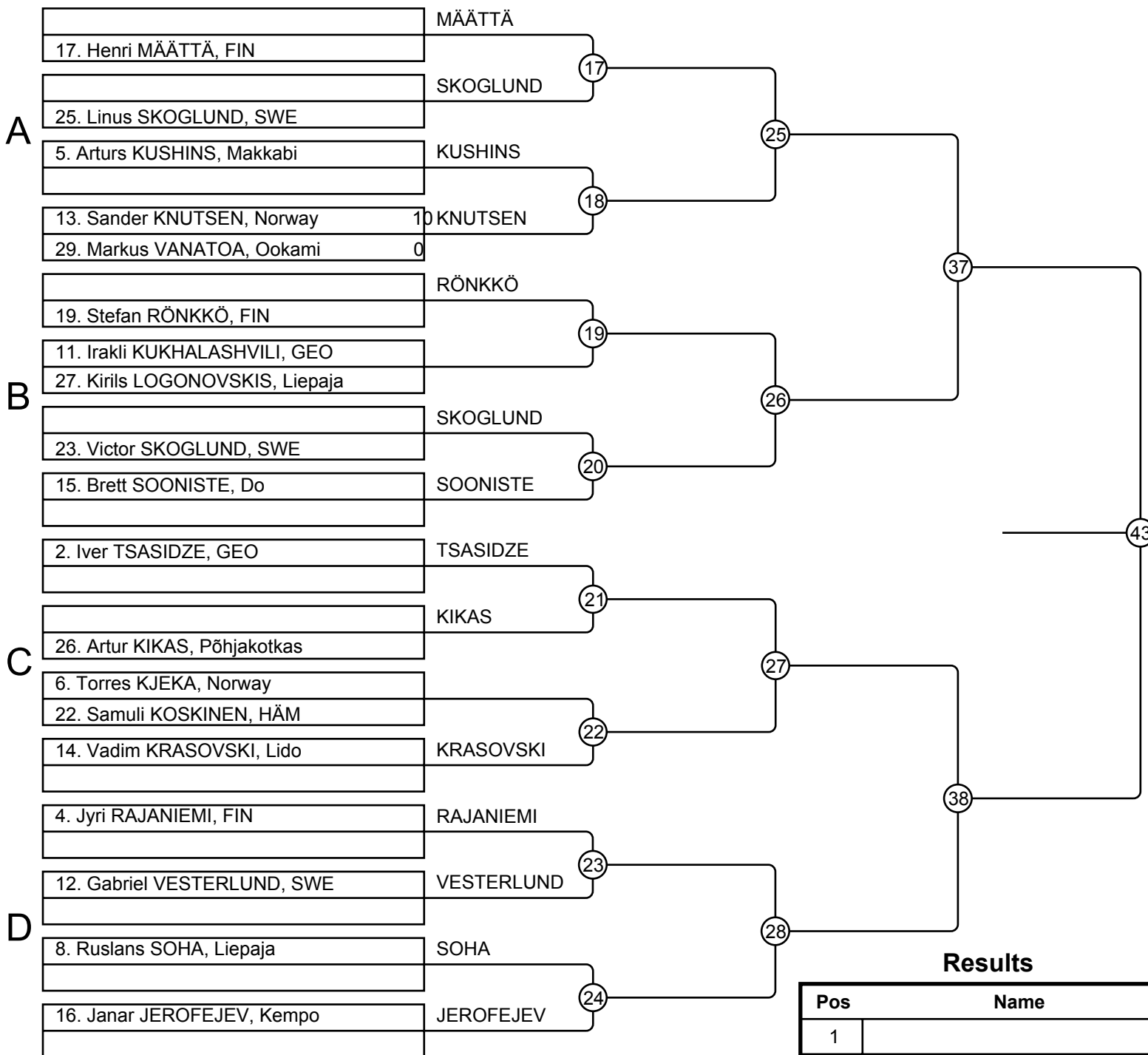


Results

Pos	Name
1	
2	
3	
3	
5	
5	
7	
7	

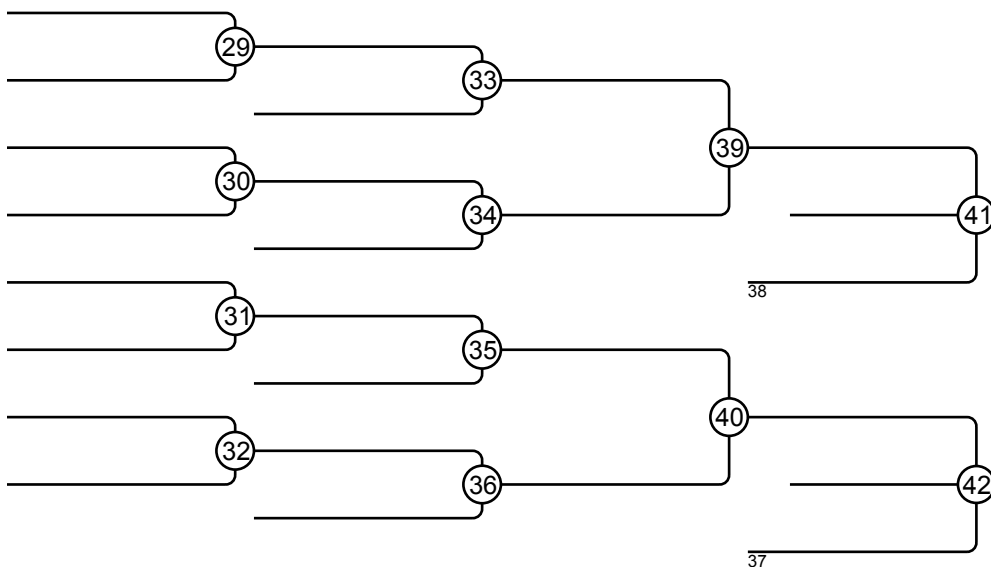
42nd Estonian Juniors Open 27.02.2016 Tartu M-66

Competitors: 19



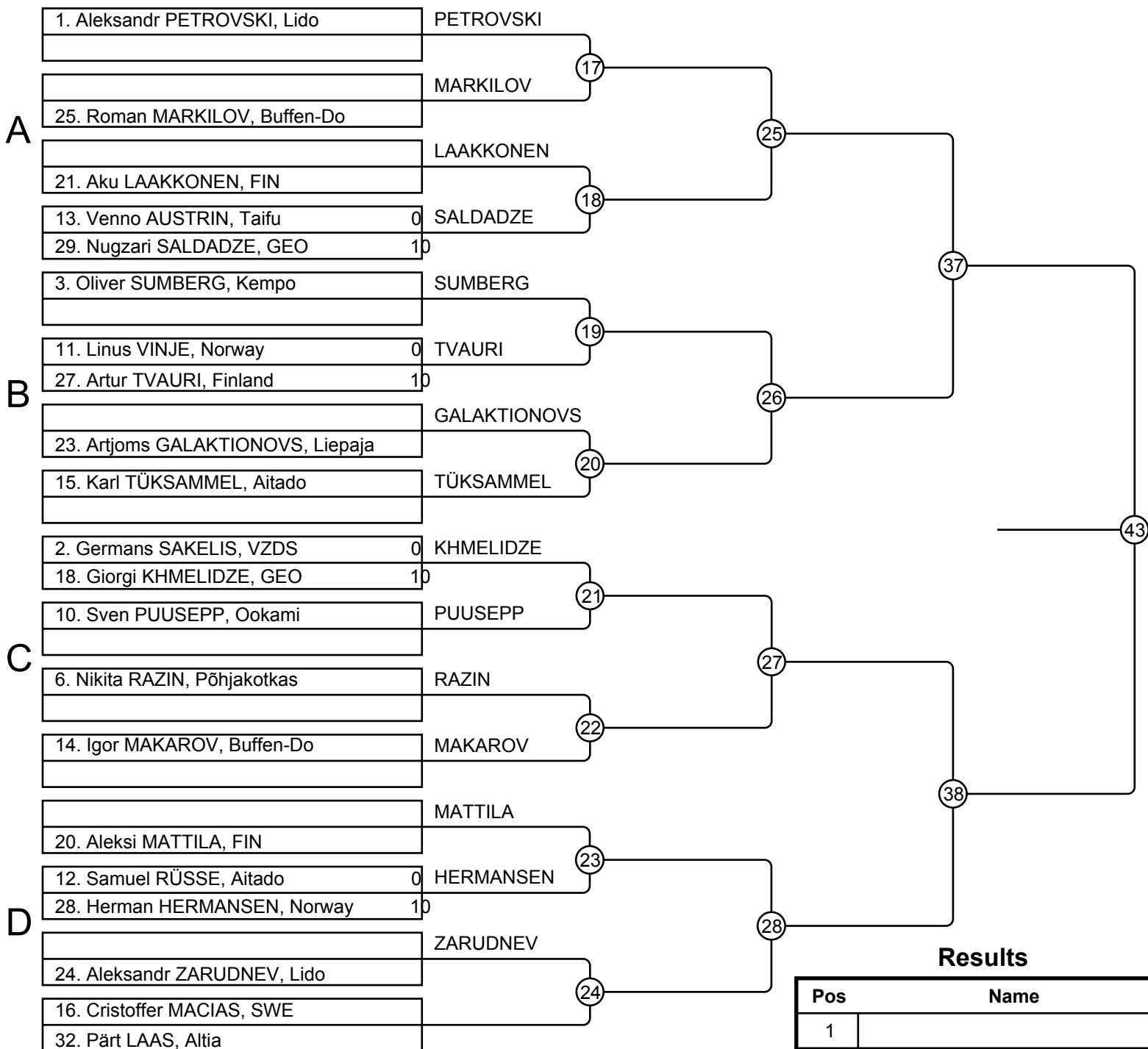
Results

Pos	Name
1	
2	
3	
3	
5	
5	
7	
7	



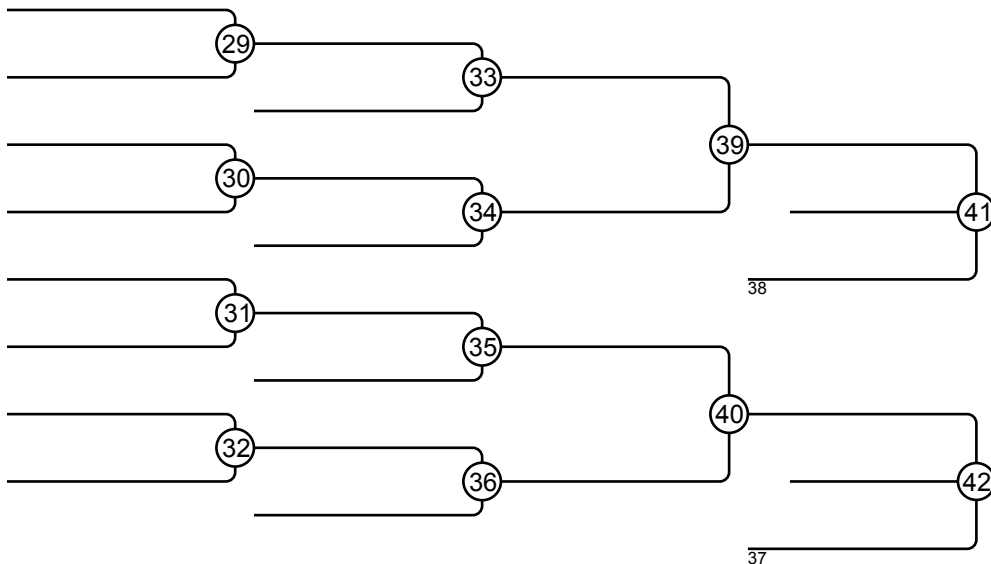
42nd Estonian Juniors Open 27.02.2016 Tartu M-73

Competitors: 21



Results

Pos	Name
1	
2	
3	
3	
5	
5	
7	
7	



42nd Estonian Juniors Open 27.02.2016 Tartu M-81

Competitors: 14

1. Aslanbeg PUHM, Dodze

A

5. Davis DUDA, Kyodai

13. Pyry HALONEN, FIN

3. Sherif-Turan GAYIBLI, Zen

11. Daviti TEVDORDZE, GEO

B

7. Karl-Ernst Saal, Altia

15. Marcus ENSTRÖM, SWE

10. Tanner SAAR, Audentes

C

6. Adrian GISSBERG, SWE

14. Raimonds GRAUMANIS, Lido

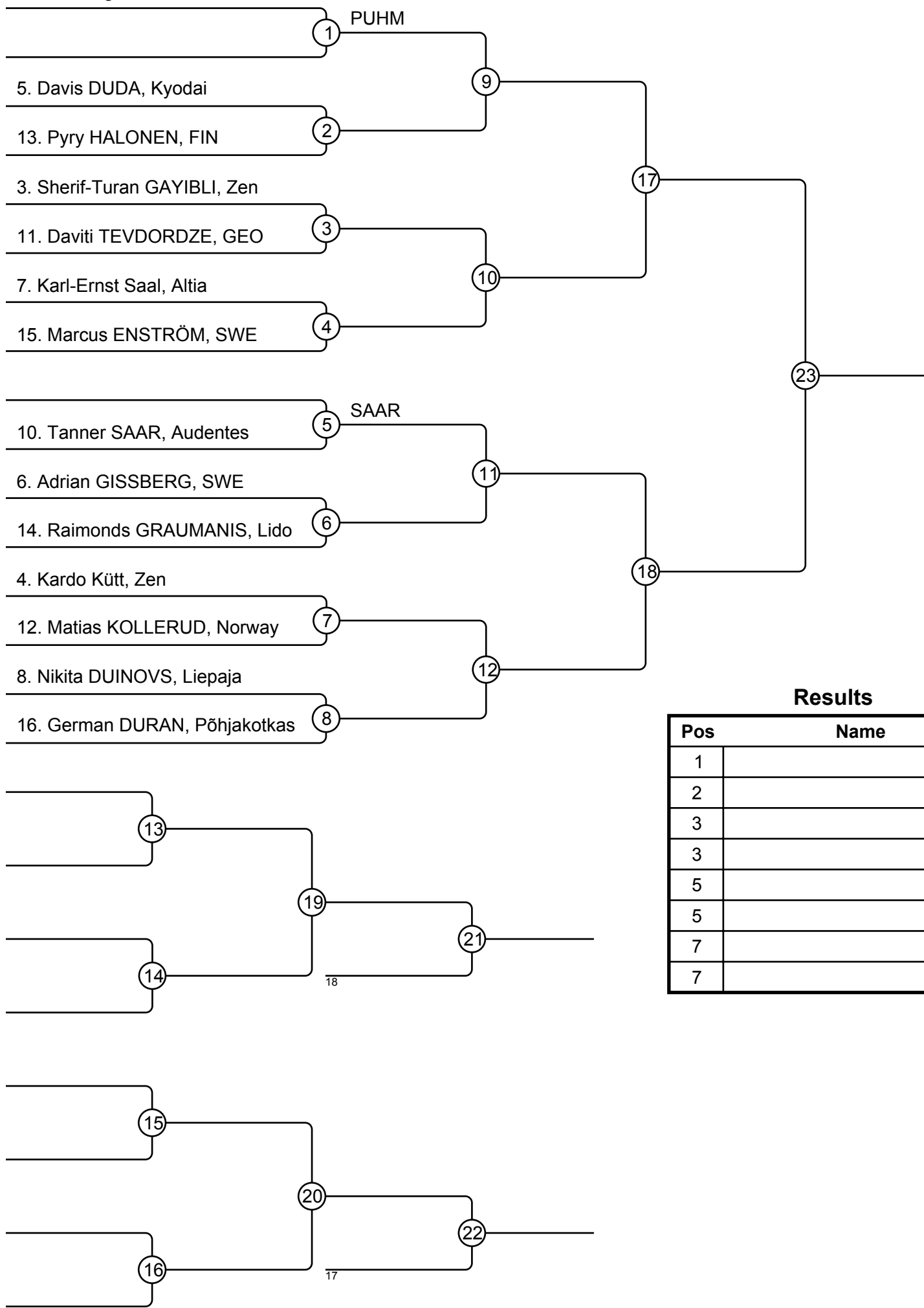
4. Kardo Kütt, Zen

12. Matias KOLLERUD, Norway

D

8. Nikita DUINOVS, Liepaja

16. German DURAN, Põhjakotkas



Results

Pos	Name
1	
2	
3	
3	
5	
5	
7	
7	

42nd Estonian Juniors Open 27.02.2016 Tartu M-90

Competitors: 9

1. Rinats SHAIHULOVS, Jelgavas BJSS

A

① SHAIHULOVS

13. Sivert POMERANTS, Aitado

② POMERANTS

3. Mattias KUUSIK, Do

③ KUUSIK

B

15. Henri HANNULA, HÄM

④ HANNULA

2. Rojs SKREBELS, Makkabi

⑤ SKREBELS

C

14. Theodor HUNSTAD, Norway

⑥ HUNSTAD

4. Pontus PERSSON, SWE

⑦

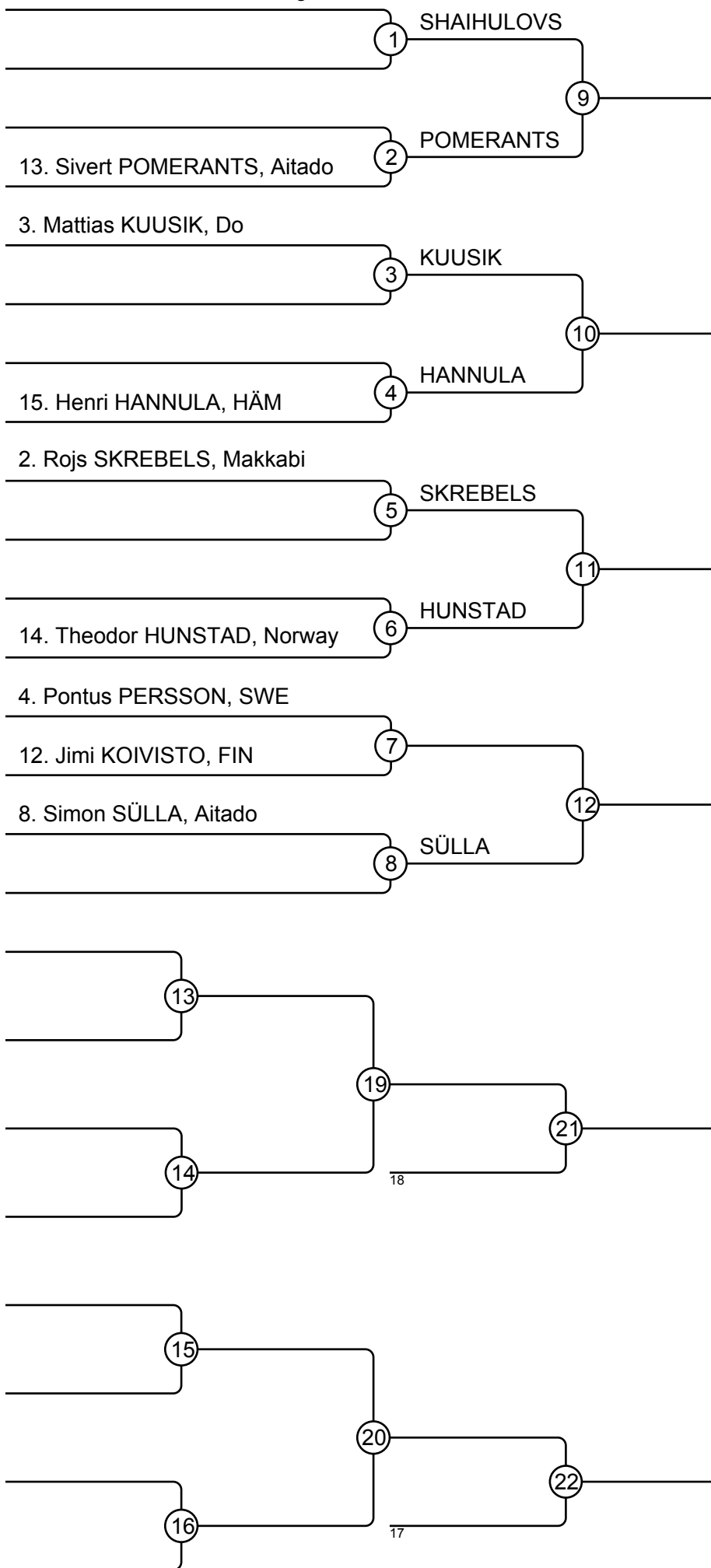
12. Jimi KOIVISTO, FIN

⑧

8. Simon SÜLLA, Aitado

⑧ SÜLLA

D



Results

Pos	Name
1	
2	
3	
3	
5	
5	
7	
7	

42nd Estonian Juniors Open 27.02.2016 Tartu W-78

Competitors: 3

Competitors

#	Name	Grade	Club	1	2	3	Wins	Pts	Pos
1	Annika KARILAID	?	Aitado						
2	Merilin LUTSAR	?	Aitado						
3	Linda BENINA	?	Aluksne						

Matches

Match	White			Blue	Result	Time
1	Annika KARILAID	1	2	Merilin LUTSAR		
2	Annika KARILAID	1	3	Linda BENINA		
3	Merilin LUTSAR	2	3	Linda BENINA		

Results

Pos	Name
1	
2	
3	

42nd Estonian Juniors Open 27.02.2016 Tartu W-70

Competitors: 2

Competitors

#	Name	Grade	Club	1	2	1	2	1	2	Wins	Pts	Pos
1	Britt MAISTE	?	Aitado									
2	Kristel NAELSO	?	Taifu									

Matches

Match	White			Blue	Result	Time
1	Britt MAISTE	1	2	Kristel NAELSO		
2	Britt MAISTE	1	2	Kristel NAELSO		
3	Britt MAISTE	1	2	Kristel NAELSO		

Results

Pos	Name
1	
2	

42nd Estonian Juniors Open 27.02.2016 Tartu W-63

Competitors: 4

Competitors

#	Name	Grade	Club	1	2	3	4	Wins	Pts	Pos
1	Serafima NAZAROVA	?	Adazu BJSS							
2	Milena RINKEVICA	?	Jelgavas BJSS							
3	Indira SILAGADZE	?	GEO							
4	Darya KITSEL	?	Singitaj							

Matches

Match	White	White	Blue	Blue	Result	Time
1	Serafima NAZAROVA	1	2	Milena RINKEVICA		
2	Indira SILAGADZE	3	4	Darya KITSEL		
3	Serafima NAZAROVA	1	3	Indira SILAGADZE		
4	Milena RINKEVICA	2	4	Darya KITSEL		
5	Serafima NAZAROVA	1	4	Darya KITSEL		
6	Milena RINKEVICA	2	3	Indira SILAGADZE		

Results

Pos	Name
1	
2	
3	
4	

42nd Estonian Juniors Open 27.02.2016 Tartu W-57

Competitors: 2

Competitors

#	Name	Grade	Club	1	2	1	2	1	2	Wins	Pts	Pos
1	Äli Agnes JÄRVE	?	Taifu									
2	Julija STANKEVICA	?	Singitaj									

Matches

Match	White			Blue	Result	Time
1	Äli Agnes JÄRVE	1	2	Julija STANKEVICA		
2	Äli Agnes JÄRVE	1	2	Julija STANKEVICA		
3	Äli Agnes JÄRVE	1	2	Julija STANKEVICA		

Results

Pos	Name
1	
2	

42nd Estonian Juniors Open 27.02.2016 Tartu W-52

Competitors: 6

Competitors

#	Name	Grade	Club	1	2	3	4	5	6	Wins	Pts	Pos
1	Caris Helena KAUP	?	Ookami									
2	Angelina SUSSI	?	Buffen-Do									
3	Anita Aiga BERZINA	?	Adazu BJSS									
4	Liudmila SILAGADZE	?	GEO									
5	Karina BEKERE	?	Saldus									
6	Sini OINONEN	?	Hämeenlinnan JS									

Matches

Match	White	White	Blue	Result	Time
1	Caris Helena KAUP	1	2	Angelina SUSSI	
2	Anita Aiga BERZINA	3	5	Karina BEKERE	
3	Angelina SUSSI	2	4	Liudmila SILAGADZE	
4	Caris Helena KAUP	1	6	Sini OINONEN	
5	Liudmila SILAGADZE	4	5	Karina BEKERE	
6	Angelina SUSSI	2	3	Anita Aiga BERZINA	
7	Liudmila SILAGADZE	4	6	Sini OINONEN	
8	Angelina SUSSI	2	5	Karina BEKERE	
9	Anita Aiga BERZINA	3	4	Liudmila SILAGADZE	
10	Caris Helena KAUP	1	5	Karina BEKERE	
11	Anita Aiga BERZINA	3	6	Sini OINONEN	
12	Caris Helena KAUP	1	4	Liudmila SILAGADZE	
13	Karina BEKERE	5	6	Sini OINONEN	
14	Caris Helena KAUP	1	3	Anita Aiga BERZINA	
15	Angelina SUSSI	2	6	Sini OINONEN	

Results

Pos	Name
1	
2	
3	
4	
5	
6	