

# A.Lutsari karikaetapp D ja C klassile 05.03.2016 C+70

Competitors: 3

## Competitors

#	Name	Grade	Club	1	2	3	Wins	Pts	Pos
1	daniil JAROĐEVITS	?	Dodze		10	10	2	20	1
2	Eduard LADŌGIN	?	audentes			5	1	5	2
3	Martin MERKUSEV	?					0	0	3

## Matches

Match	White			Blue	Result	Time
1	daniil JAROĐEVITS	1	2	Eduard LADŌGIN	10 - 0	0:00
2	daniil JAROĐEVITS	1	3	Martin MERKUSEV	10 - 0	0:00
3	Eduard LADŌGIN	2	3	Martin MERKUSEV	5 - 0	0:00

## Results

Pos	Name
1	daniil JAROĐEVITS, Dodze
2	Eduard LADŌGIN, audentes
3	Martin MERKUSEV,

# A.Lutsari karikaetapp D ja C klassile 05.03.2016 C-34

Competitors: 3

## Competitors

#	Name	Grade	Club	1	2	3	Wins	Pts	Pos
1	Ilja VASSILJEV	?			7	10	2	17	1
2	Saad DIKAJEV	?				7	1	7	2
3	Ott Aleksander RAUD	?	toni judokool				0	0	3

## Matches

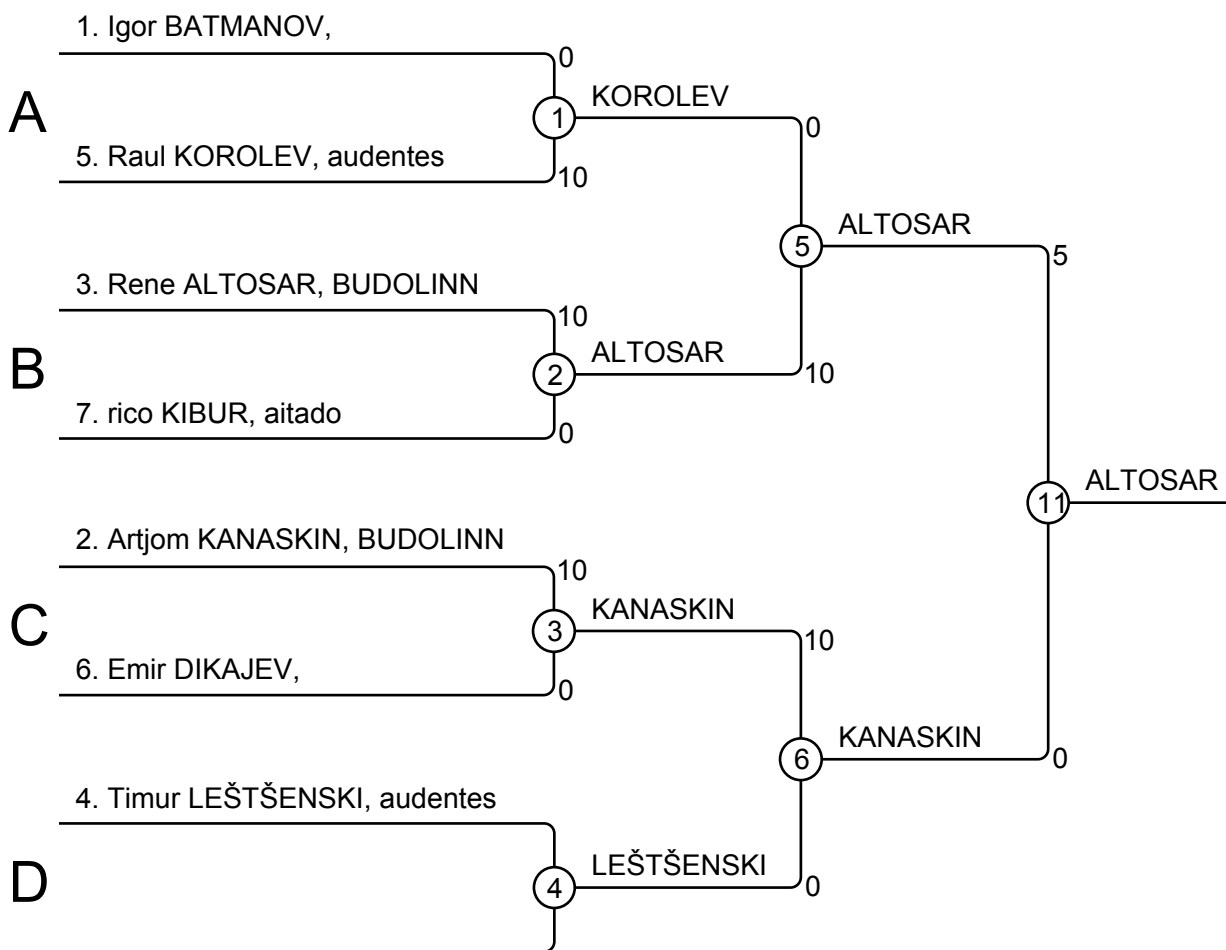
Match	White			Blue	Result	Time
1	Ilja VASSILJEV	1	2	Saad DIKAJEV	7 - 0	0:00
2	Ilja VASSILJEV	1	3	Ott Aleksander RAUD	10 - 0	0:00
3	Saad DIKAJEV	2	3	Ott Aleksander RAUD	7 - 0	0:00

## Results

Pos	Name
1	Ilja VASSILJEV,
2	Saad DIKAJEV,
3	Ott Aleksander RAUD, toni judokool

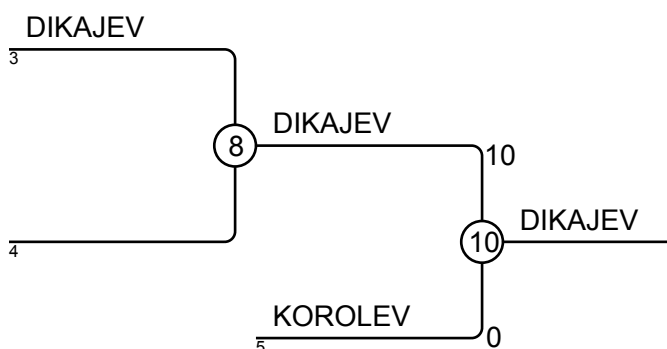
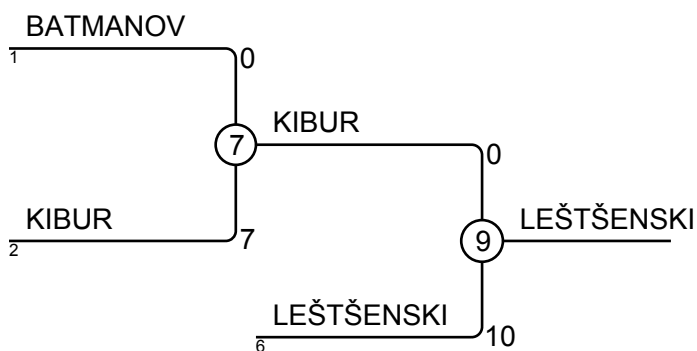
# A.Lutsari karikaetapp D ja C klassile 05.03.2016 C-38

Competitors: 7



## Results

Pos	Name
1	Rene ALTOSAR, BUDOLINN
2	Artjom KANASKIN, BUDOLINN
3	Timur LEŠTŠENSKI, audentes
3	Emir DIKAJEV,
5	rico KIBUR, aitado
5	Raul KOROLEV, audentes
7	Igor BATMANOV,
7	



# A.Lutsari karikaetapp D ja C klassile 05.03.2016 C-42

Competitors: 5

## Competitors

#	Name	Grade	Club	1	2	3	4	5	Wins	Pts	Pos
1	artur JEREMEJEV	?	Dodze		10	10	10	1	4	31	1
2	Alex PODĖIBJAKIN	?	BUDOLINN						0	0	5
3	Sebastian JUNG	?	toni judokool		10		10		2	20	3
4	Vjatzheslav ZAHHAROV	?	kibuvits		10				1	10	3
5	Konrad KUMM	?	audentes		10	10	10		3	30	2

## Matches

Match	White		Blue		Result	Time
1	Vjatzheslav ZAHHAROV	4	5	Konrad KUMM	0 - 10	0:00
2	artur JEREMEJEV	1	2	Alex PODĖIBJAKIN	10 - 0	0:00
3	Sebastian JUNG	3	4	Vjatzheslav ZAHHAROV	10 - 0	0:00
4	artur JEREMEJEV	1	5	Konrad KUMM	1 - 0	0:00
5	Alex PODĖIBJAKIN	2	3	Sebastian JUNG	0 - 10	0:00
6	artur JEREMEJEV	1	4	Vjatzheslav ZAHHAROV	10 - 0	0:00
7	Sebastian JUNG	3	5	Konrad KUMM	0 - 10	0:00
8	Alex PODĖIBJAKIN	2	4	Vjatzheslav ZAHHAROV	0 - 10	0:00
9	artur JEREMEJEV	1	3	Sebastian JUNG	10 - 0	0:00
10	Alex PODĖIBJAKIN	2	5	Konrad KUMM	0 - 10	0:00

## Results

Pos	Name
1	artur JEREMEJEV, Dodze
2	Konrad KUMM, audentes
3	Sebastian JUNG, toni judokool
3	Vjatzheslav ZAHHAROV, kibuvits
5	Alex PODĖIBJAKIN, BUDOLINN

# A.Lutsari karikaetapp D ja C klassile 05.03.2016 C-46

Competitors: 2

## Competitors

#	Name	Grade	Club	1	2	1	2	1	2	Wins	Pts	Pos
1	Aleksander SELEDTSOV	?			10		10			2	20	1
2	Edgar DEICH	?	dodze							0	0	2

## Matches

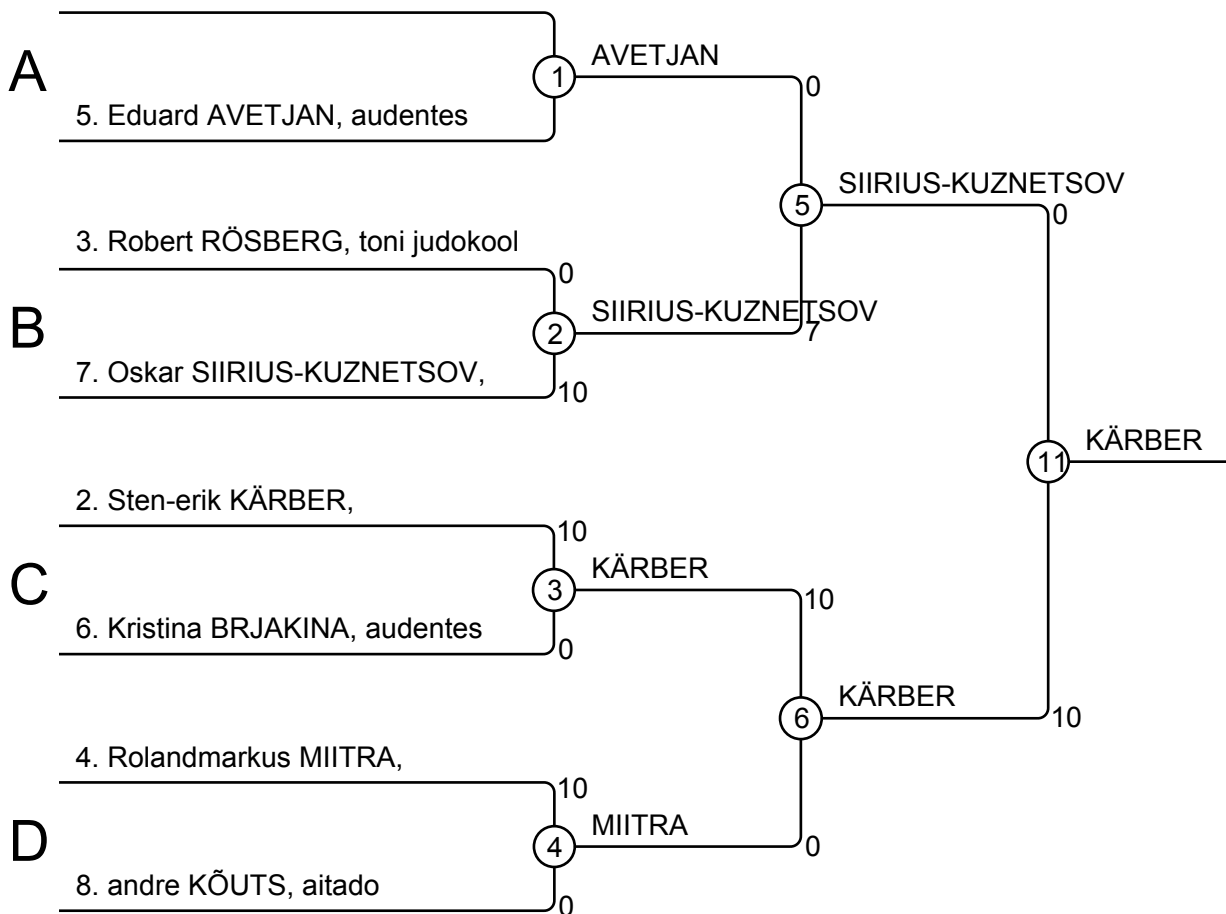
Match	White			Blue	Result	Time
1	Aleksander SELEDTSOV	1	2	Edgar DEICH	10 - 0	0:00
2	Aleksander SELEDTSOV	1	2	Edgar DEICH	10 - 0	0:00
3	Aleksander SELEDTSOV	1	2	Edgar DEICH		

## Results

Pos	Name
1	Aleksander SELEDTSOV,
2	Edgar DEICH, dodze

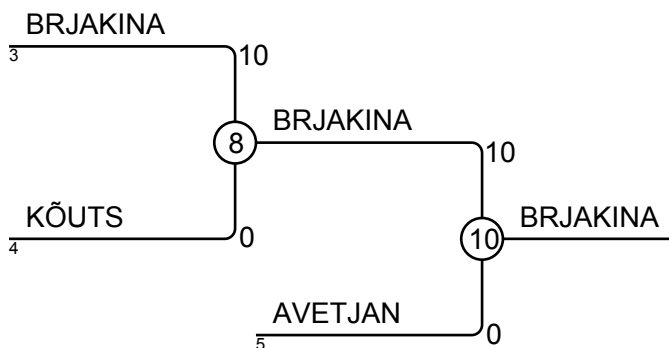
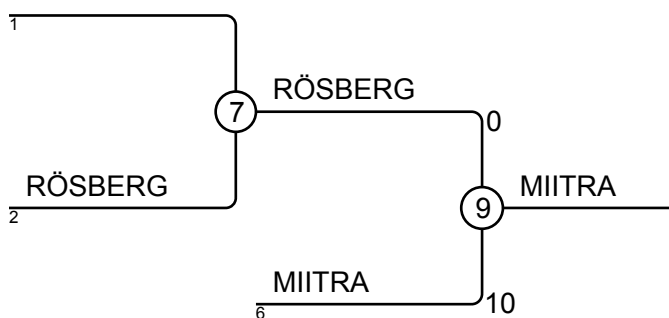
# A.Lutsari karikaetapp D ja C klassile 05.03.2016 C-50

Competitors: 7



## Results

Pos	Name
1	Sten-erik KÄRBER,
2	Oskar SIIRIUS-KUZNETSOV,
3	Rolandmarkus MIITRA,
3	Kristina BRJAKINA, audentes
5	Robert RÖSBERG, toni judokool
5	Eduard AVETJAN, audentes
7	
7	andre KÕUTS, aitado



# A.Lutsari karikaetapp D ja C klassile 05.03.2016 C-55

Competitors: 4

## Competitors

#	Name	Grade	Club	1	2	3	4	Wins	Pts	Pos
1	Stefan TEMNIKOV	?	BUDOLINN		5	5		2	10	2
2	Leon VELMAN	?	audentes			5		1	5	3
3	marcus KARU	?	aitado					0	0	3
4	edgar DEMITSEV	?	Dodze	10	10	5		3	25	1

## Matches

Match	White			Blue	Result	Time
1	Stefan TEMNIKOV	1	2	Leon VELMAN	5 - 0	0:00
2	marcus KARU	3	4	edgar DEMITSEV	0 - 5	0:00
3	Stefan TEMNIKOV	1	3	marcus KARU	5 - 0	0:00
4	Leon VELMAN	2	4	edgar DEMITSEV	0 - 10	0:00
5	Stefan TEMNIKOV	1	4	edgar DEMITSEV	0 - 10	0:00
6	Leon VELMAN	2	3	marcus KARU	5 - 0	0:00

## Results

Pos	Name
1	edgar DEMITSEV, Dodze
2	Stefan TEMNIKOV, BUDOLINN
3	Leon VELMAN, audentes
3	marcus KARU, aitado

# A.Lutsari karikaetapp D ja C klassile 05.03.2016 C-62

Competitors: 3

## Competitors

#	Name	Grade	Club	1	2	3	Wins	Pts	Pos
1	Kirill SLJUNKO	?	BUDOLINN		10		1	10	2
2	Maria Simona PAPP	?	toni judokool				0	0	3
3	Hannes HOLLO	?		10	10		2	20	1

## Matches

Match	White			Blue	Result	Time
1	Kirill SLJUNKO	1	2	Maria Simona PAPP	10 - 0	0:00
2	Kirill SLJUNKO	1	3	Hannes HOLLO	0 - 10	0:00
3	Maria Simona PAPP	2	3	Hannes HOLLO	0 - 10	0:00

## Results

Pos	Name
1	Hannes HOLLO,
2	Kirill SLJUNKO, BUDOLINN
3	Maria Simona PAPP, toni judokool



# A.Lutsari karikaetapp D ja C klassile 05.03.2016 C-70

Competitors: 2

## Competitors

#	Name	Grade	Club	1	2	1	2	1	2	Wins	Pts	Pos
1	Artjom LUKIN	?	BUDOLINN							0	0	2
2	Ruslan URSAKI	?		10		10				2	20	1

## Matches

Match	White			Blue	Result	Time
1	Artjom LUKIN	1	2	Ruslan URSAKI	0 - 10	0:00
2	Artjom LUKIN	1	2	Ruslan URSAKI	0 - 10	0:00
3	Artjom LUKIN	1	2	Ruslan URSAKI		

## Results

Pos	Name
1	Ruslan URSAKI,
2	Artjom LUKIN, BUDOLINN

# A.Lutsari karikaetapp D ja C klassile 05.03.2016 D+55

Competitors: 4

## Competitors

#	Name	Grade	Club	1	2	3	4	Wins	Pts	Pos
1	Ruslan URSAKI	?				10	10	2	20	1
2	Andrei MIHAILOV	?		5		1		2	6	3
3	rasmus TARASSOV	?	Viru judo					0	0	3
4	Gleb SHEVTSOV	?			7	10		2	17	2

## Matches

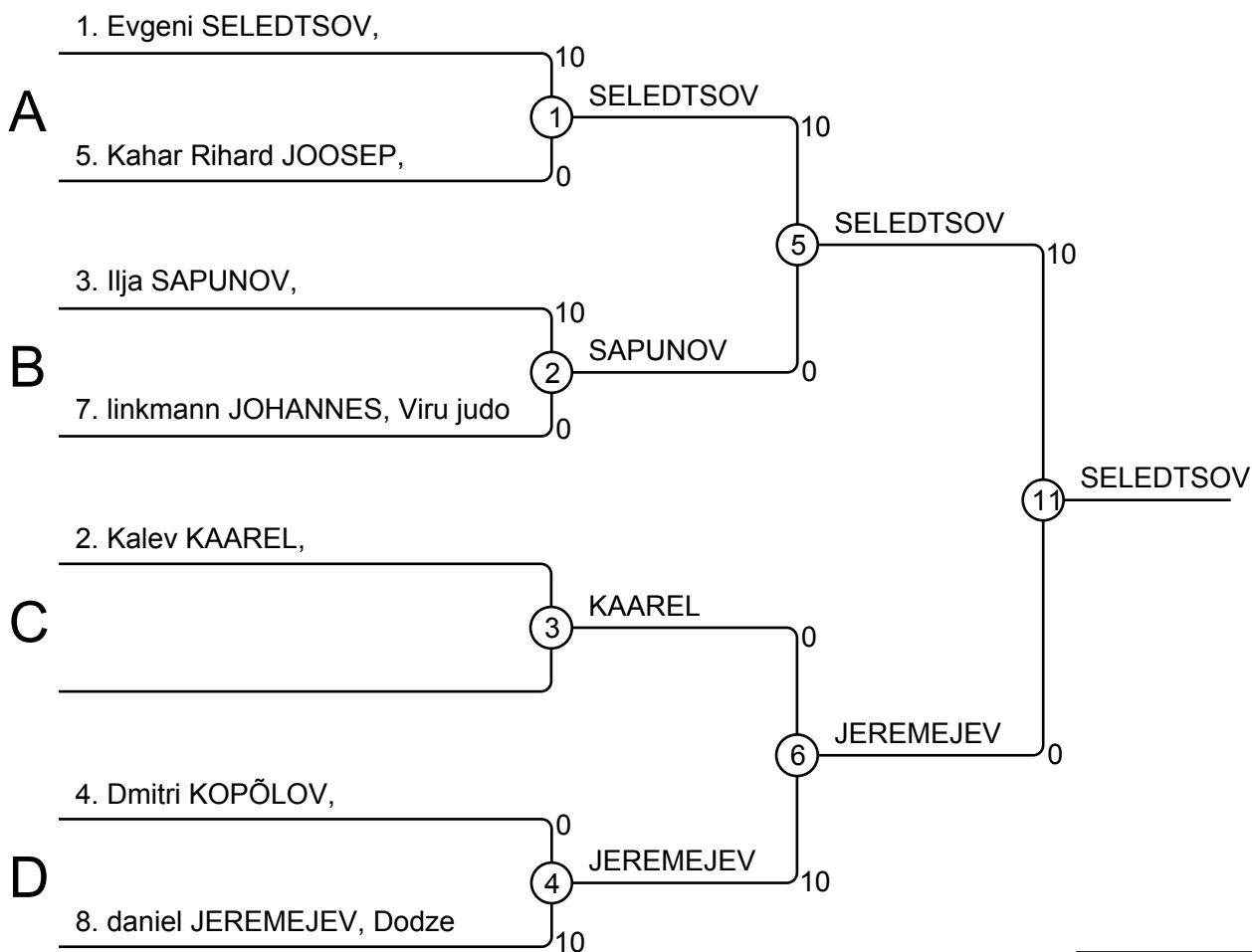
Match	White			Blue	Result	Time
1	Ruslan URSAKI	1	2	Andrei MIHAILOV	0 - 5	0:00
2	rasmus TARASSOV	3	4	Gleb SHEVTSOV	0 - 10	0:00
3	Ruslan URSAKI	1	3	rasmus TARASSOV	10 - 0	0:00
4	Andrei MIHAILOV	2	4	Gleb SHEVTSOV	0 - 7	0:00
5	Ruslan URSAKI	1	4	Gleb SHEVTSOV	10 - 0	0:00
6	Andrei MIHAILOV	2	3	rasmus TARASSOV	1 - 0	0:00

## Results

Pos	Name
1	Ruslan URSAKI,
2	Gleb SHEVTSOV,
3	Andrei MIHAILOV,
3	rasmus TARASSOV, Viru judo

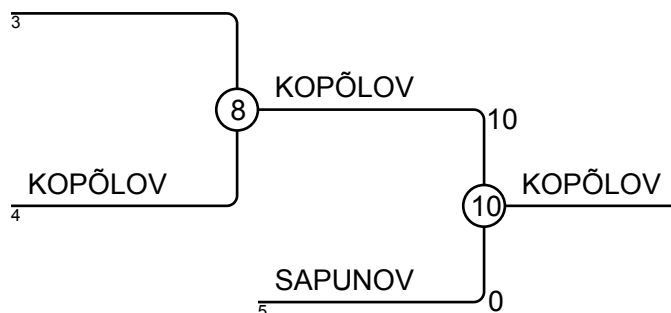
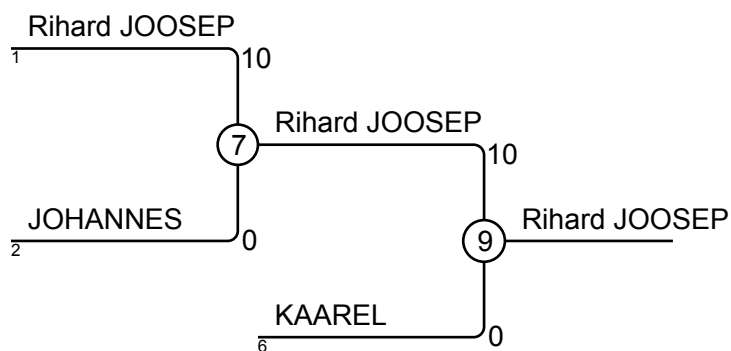
# A.Lutsari karikaetapp D ja C klassile 05.03.2016 D-27

Competitors: 7



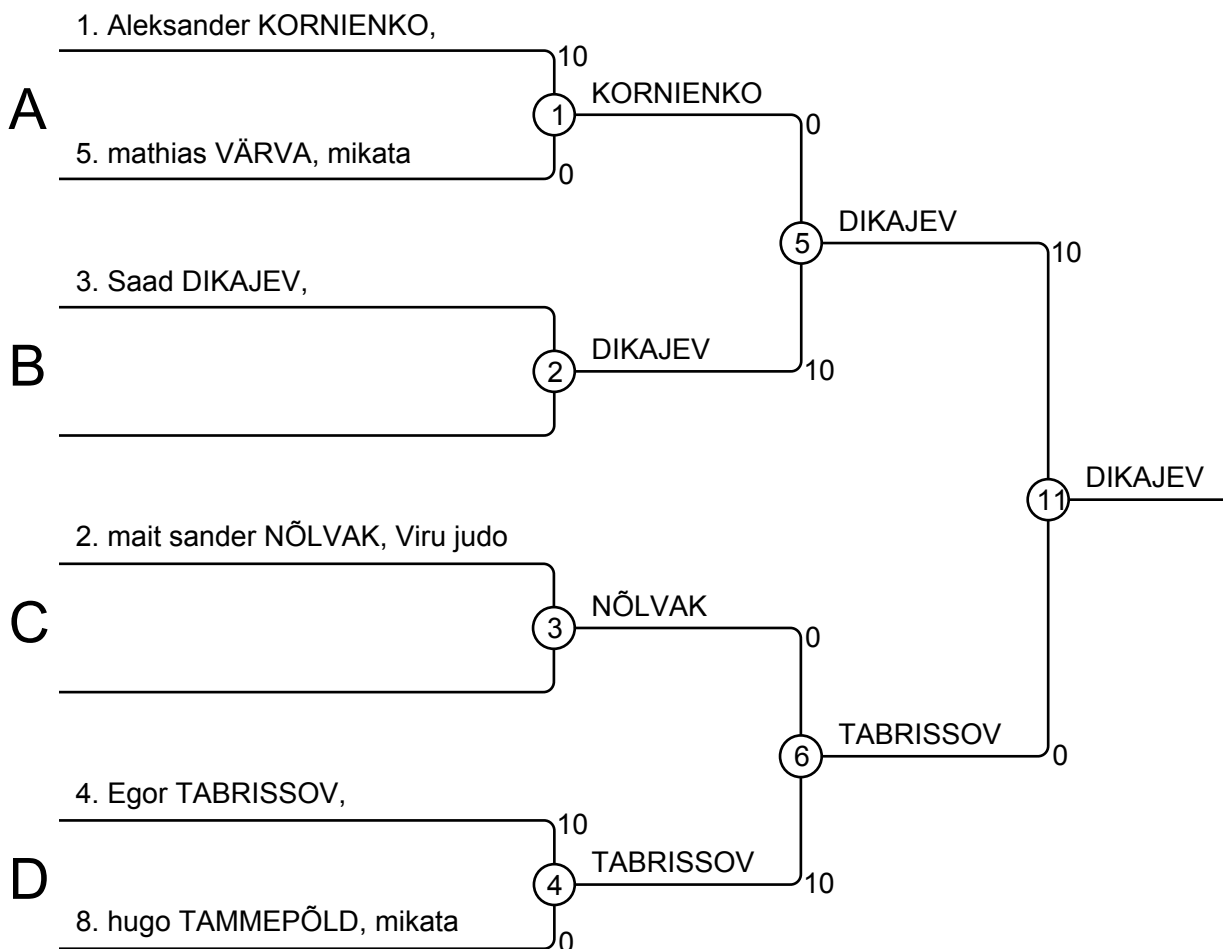
## Results

Pos	Name
1	Evgeni SELEDTSOV,
2	daniel JEREMEJEV, Dodze
3	Kahar Rihard JOOSEP,
3	Dmitri KOPÕLOV,
5	Kalev KAAREL,
5	Ilja SAPUNOV,
7	linkmann JOHANNES, Viru judo
7	



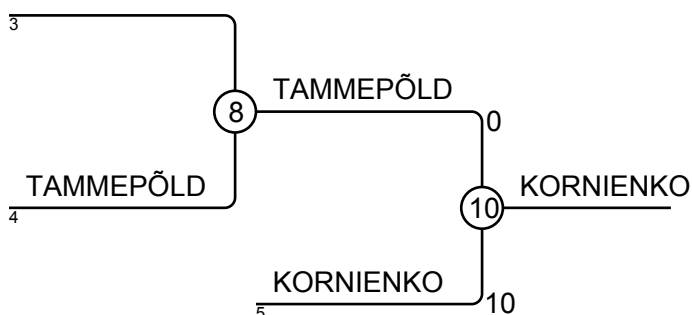
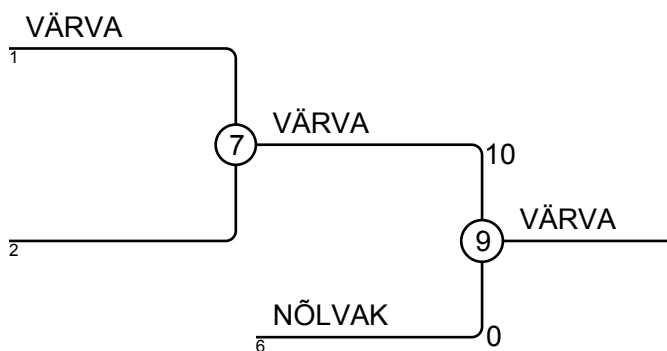
# A.Lutsari karikaetapp D ja C klassile 05.03.2016 D-30

Competitors: 6



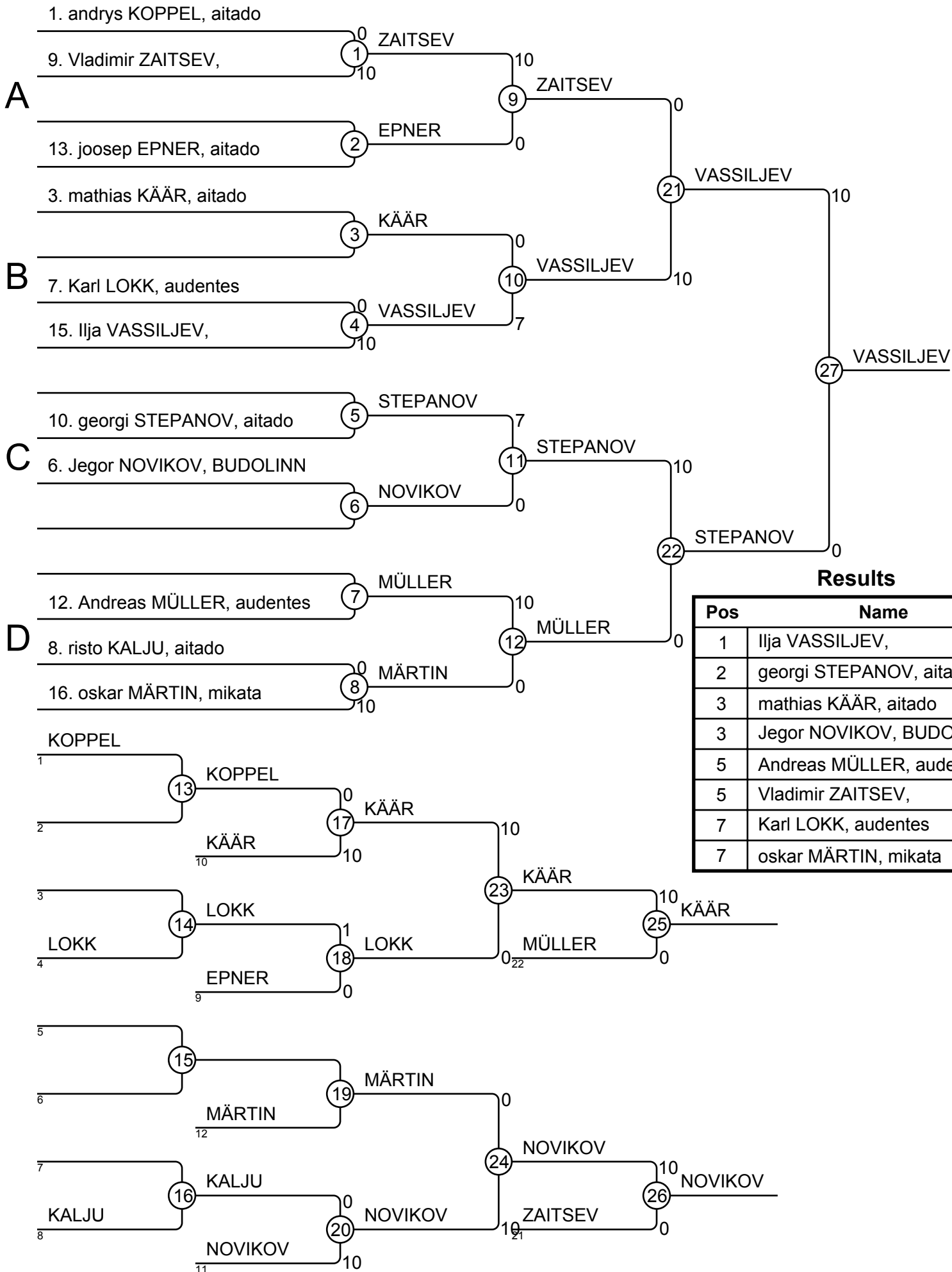
## Results

Pos	Name
1	Saad DIKAJEV,
2	Egor TABRISOV,
3	mathias VÄRVA, mikata
3	Aleksander KORNIENKO,
5	mait sander NÕLVAK, Viru judo
5	hugo TAMMEPÕLD, mikata
7	
7	



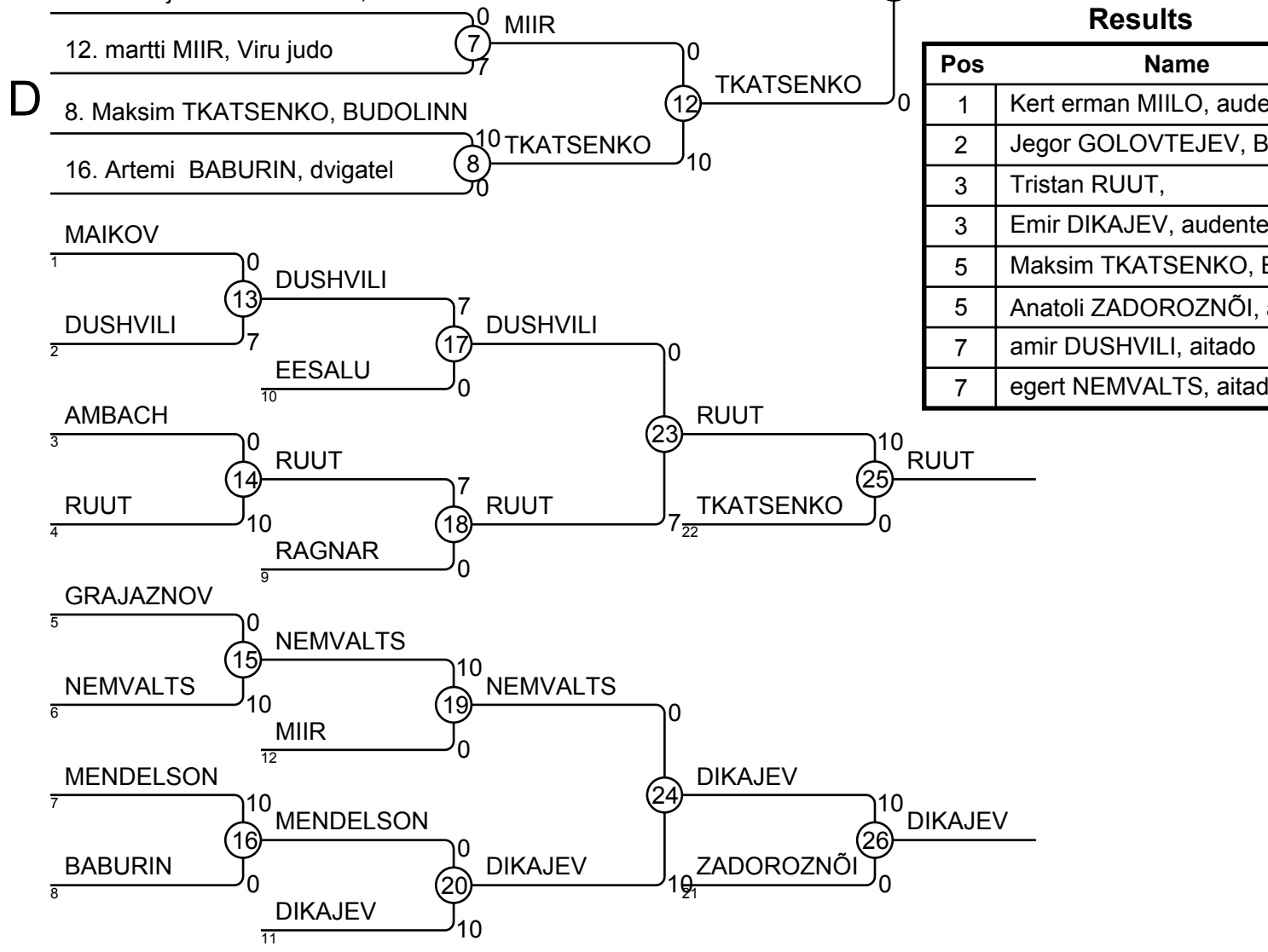
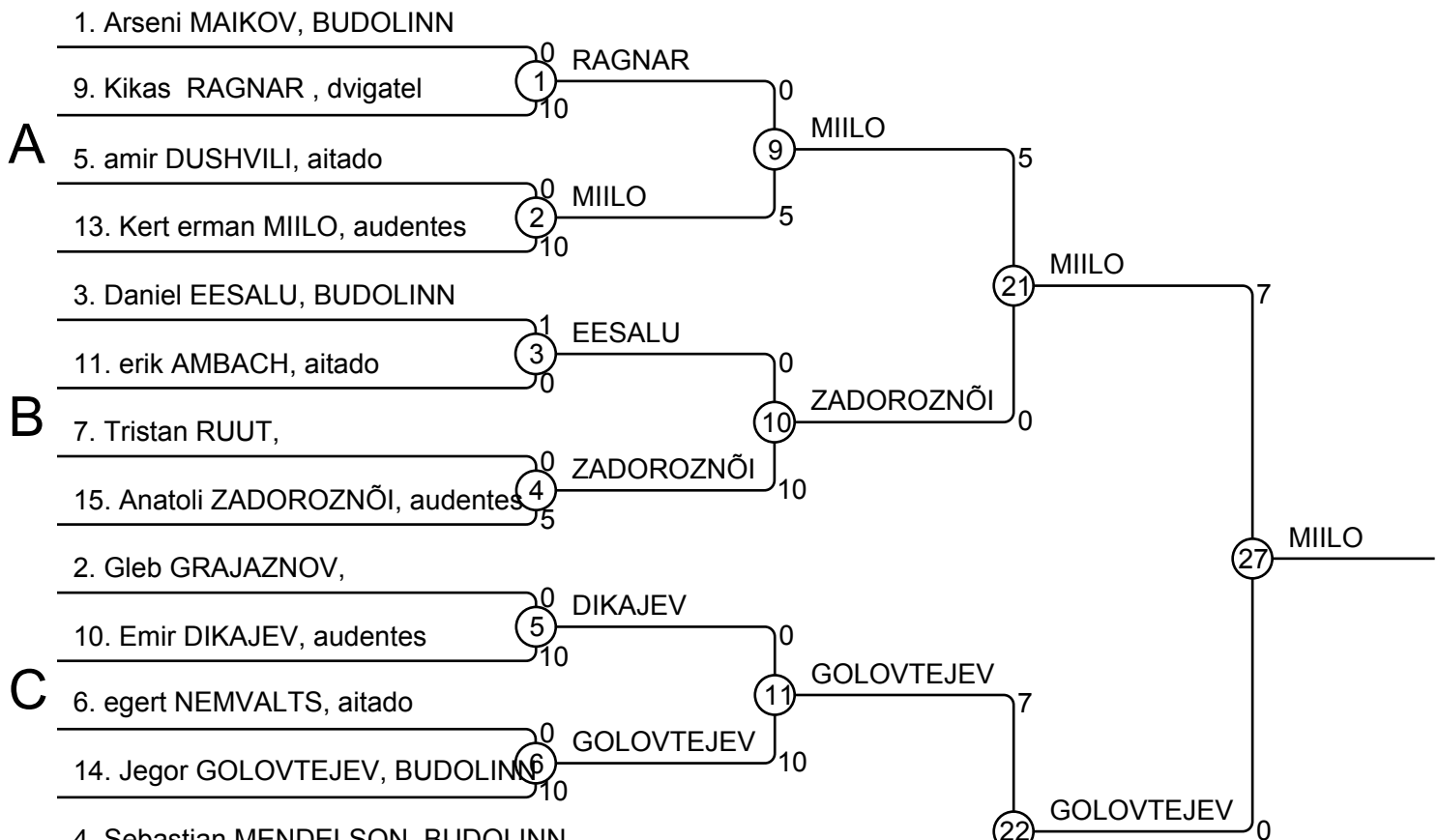
# A.Lutsari karikaetapp D ja C klassile 05.03.2016 D-34

Competitors: 11



# A.Lutsari karikaetapp D ja C klassile 05.03.2016 D-38

Competitors: 16

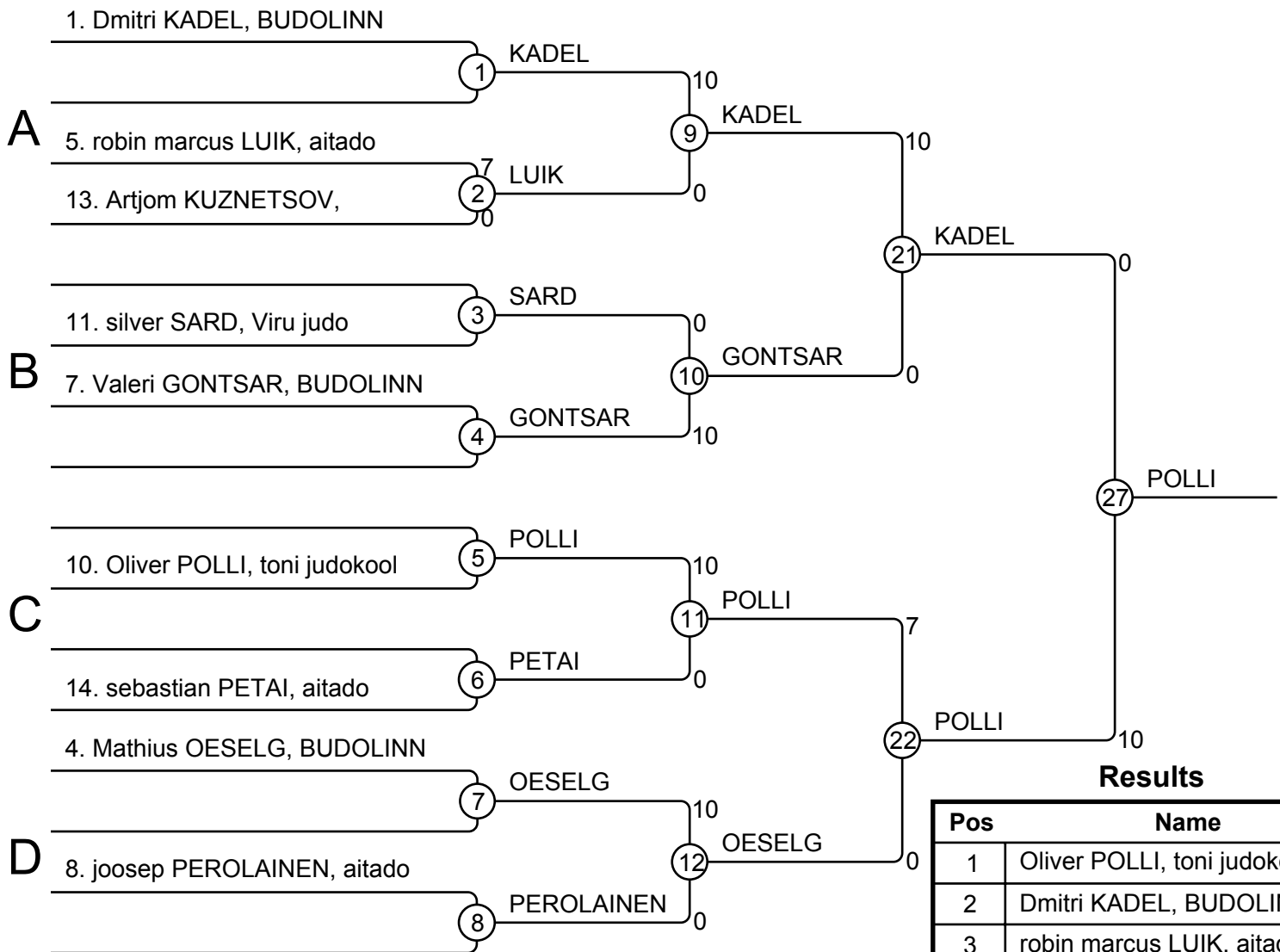


## Results

Pos	Name
1	Kert erman MIILO, audentes
2	Jegor GOLOVTEJEV, BUDOLINN
3	Tristan RUUT,
3	Emir DIKAJEV, audentes
5	Maksim TKATSENKO, BUDOLINN
5	Anatoli ZADOROZNÕI, audentes
7	amir DUSHVILI, aitado
7	egert NEMVALTS, aitado

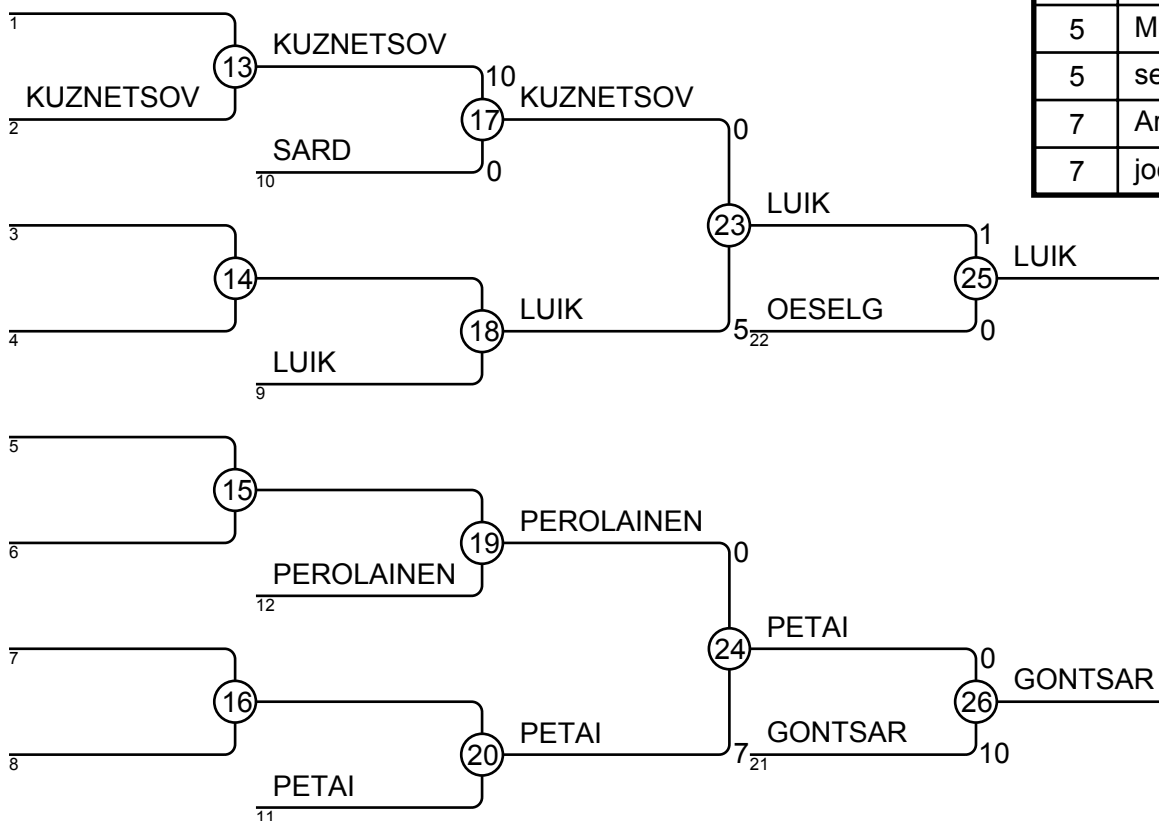
# A.Lutsari karikaetapp D ja C klassile 05.03.2016 D-42

Competitors: 9



## Results

Pos	Name
1	Oliver POLLI, toni judokool
2	Dmitri KADEL, BUDOLINN
3	robin marcus LUIK, aitado
3	Valeri GONTSAR, BUDOLINN
5	Mathius OESELG, BUDOLINN
5	sebastian PETAI, aitado
7	Artjom KUZNETSOV,
7	joosep PEROLAINEN, aitado



# A.Lutsari karikaetapp D ja C klassile 05.03.2016 D-46

Competitors: 4

## Competitors

#	Name	Grade	Club	1	2	3	4	Wins	Pts	Pos
1	Marko BORK	?	aitado		10		10	2	20	2
2	kert robert SARAPUU	?	aitado				5	1	5	3
3	mattias RANNIK	?	toni judokool	10	10		10	3	30	1
4	karl richard KALDA	?	toni judokool					0	0	3

## Matches

Match	White			Blue	Result	Time
1	Marko BORK	1	2	kert robert SARAPUU	10 - 0	0:00
2	mattias RANNIK	3	4	karl richard KALDA	10 - 0	0:00
3	Marko BORK	1	3	mattias RANNIK	0 - 10	0:00
4	kert robert SARAPUU	2	4	karl richard KALDA	5 - 0	0:00
5	Marko BORK	1	4	karl richard KALDA	10 - 0	0:00
6	kert robert SARAPUU	2	3	mattias RANNIK	0 - 10	0:00

## Results

Pos	Name
1	mattias RANNIK, toni judokool
2	Marko BORK, aitado
3	kert robert SARAPUU, aitado
3	karl richard KALDA, toni judokool



# A.Lutsari karikaetapp D ja C klassile 05.03.2016 D-50

Competitors: 3

## Competitors

#	Name	Grade	Club	1	2	3	Wins	Pts	Pos
1	Jevgeni LADÕGIN	?	audentes		10	7	2	17	1
2	Silver LAVITS	?	toni judokool			10	1	10	2
3	Kirill PELIH	?					0	0	3

## Matches

Match	White			Blue	Result	Time
1	Jevgeni LADÕGIN	1	2	Silver LAVITS	10 - 0	0:00
2	Jevgeni LADÕGIN	1	3	Kirill PELIH	7 - 0	0:00
3	Silver LAVITS	2	3	Kirill PELIH	10 - 0	0:00

## Results

Pos	Name
1	Jevgeni LADÕGIN, audentes
2	Silver LAVITS, toni judokool
3	Kirill PELIH,

# A.Lutsari karikaetapp D ja C klassile 05.03.2016 D-55

Competitors: 3

## Competitors

#	Name	Grade	Club	1	2	3	Wins	Pts	Pos
1	Manfred MÄNNAMAA	?			10	7	2	17	1
2	Andres VENDITTI	?					0	0	3
3	Arkadi BERMAN	?			10		1	10	2

## Matches

Match	White			Blue	Result	Time
1	Manfred MÄNNAMAA	1	2	Andres VENDITTI	10 - 0	0:00
2	Manfred MÄNNAMAA	1	3	Arkadi BERMAN	7 - 0	0:00
3	Andres VENDITTI	2	3	Arkadi BERMAN	0 - 10	0:00

## Results

Pos	Name
1	Manfred MÄNNAMAA,
2	Arkadi BERMAN,
3	Andres VENDITTI,