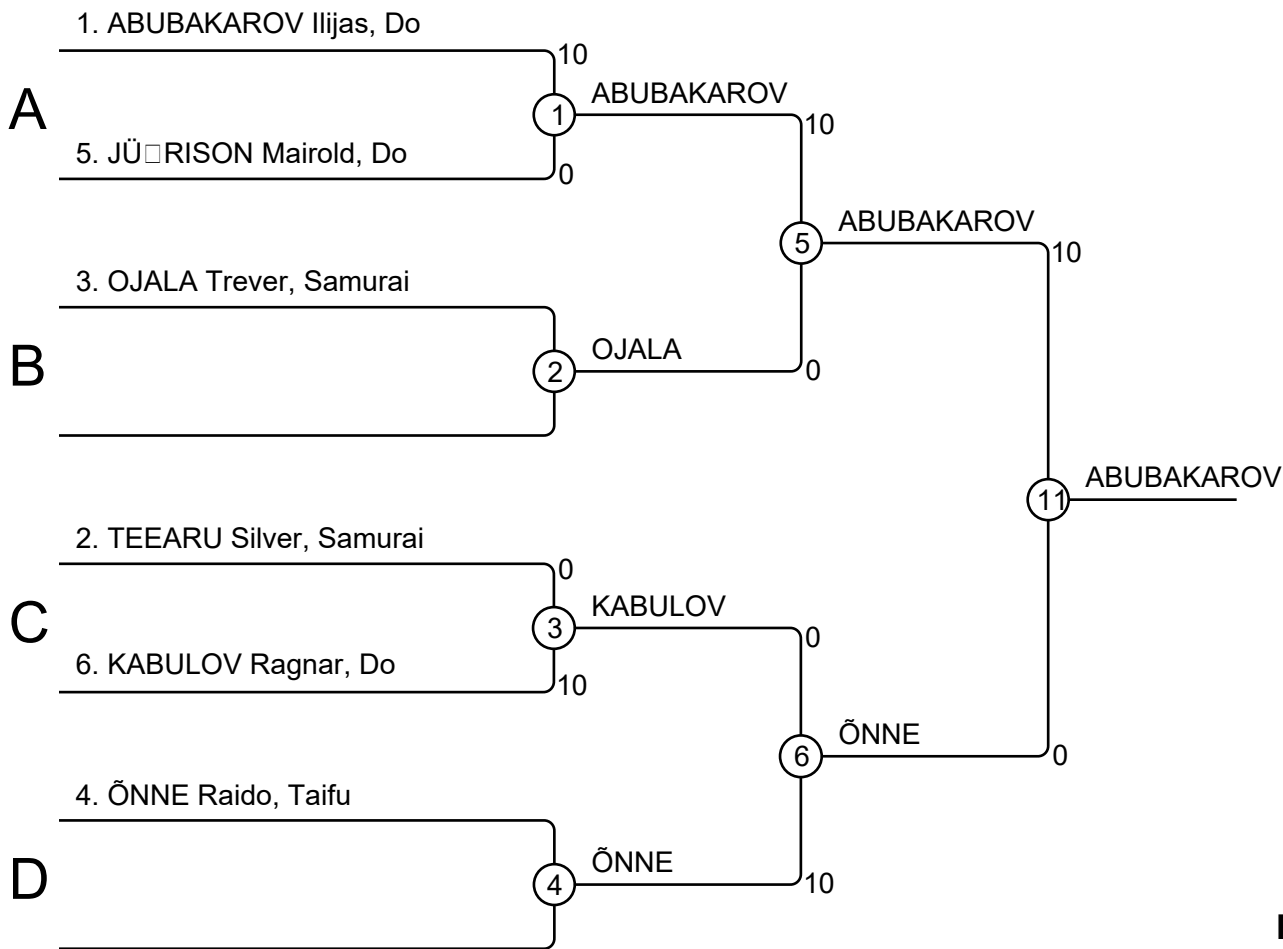


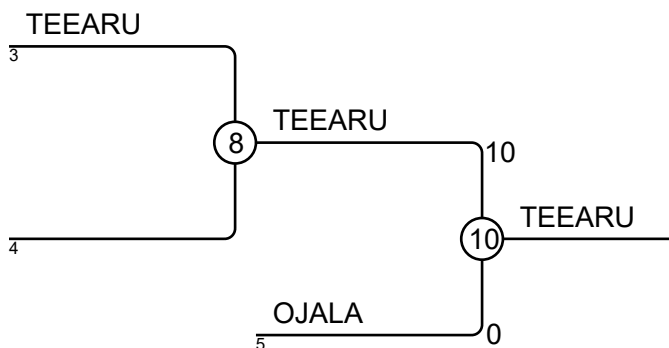
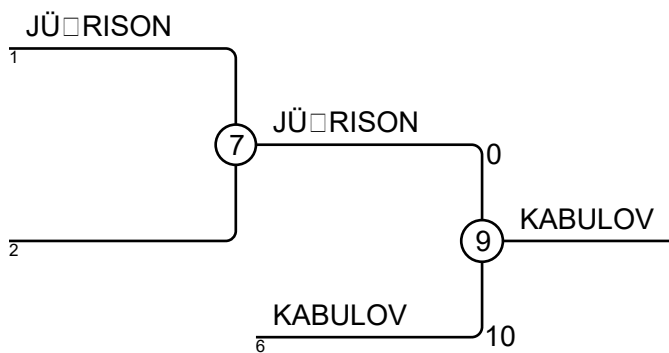
Kass Arturi II etapp 06.03.2016 A.le.coq spordihoone B+58

Competitors: 6



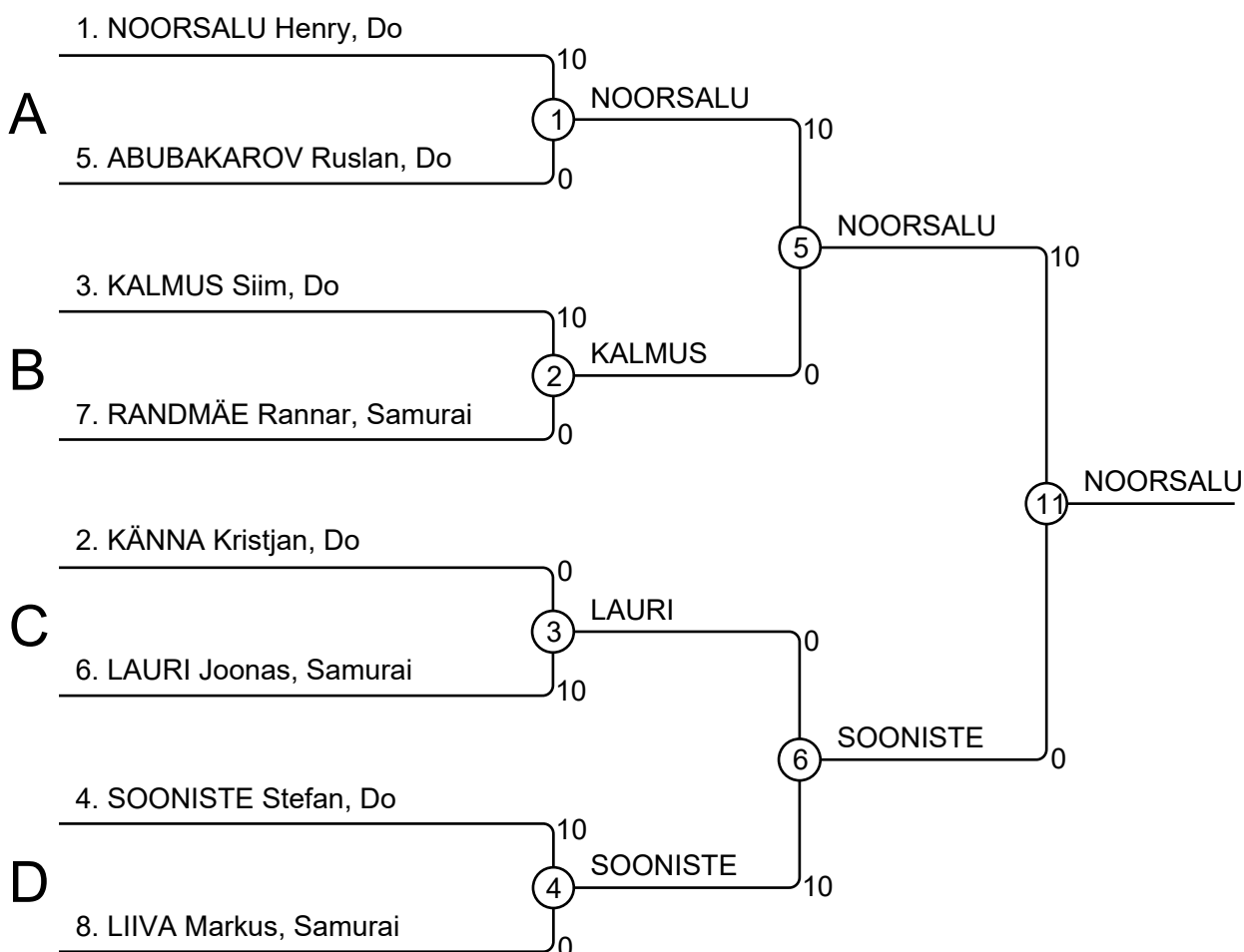
Results

Pos	Name
1	ABUBAKAROV Ilijas, Do
2	ÕNNE Raido, Taifu
3	KABULOV Ragnar, Do
3	TEEARU Silver, Samurai
5	JÜÜRISON Mairold, Do
5	OJALA Trever, Samurai
7	
7	



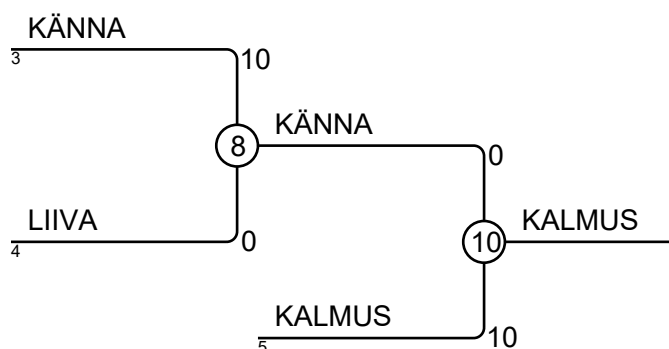
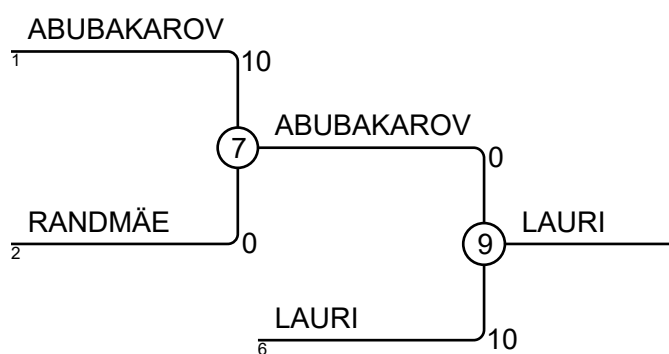
Kass Arturi II etapp 06.03.2016 A.le.coq spordihoone B-44

Competitors: 8



Results

Pos	Name
1	NOORSALU Henry, Do
2	SOONISTE Stefan, Do
3	LAURI Joonas, Samurai
3	KALMUS Siim, Do
5	ABUBAKAROV Ruslan, Do
5	KÄNNA Kristjan, Do
7	RANDMÄE Rannar, Samurai
7	LIIVA Markus, Samurai



Kass Arturi II etapp 06.03.2016 A.le.coq spordihoone B-50

Competitors: 4

Competitors

#	Name	Club	1	2	3	4	Wins	Pts	Pos
1	KALDMAA Joonatan	Do		10	1	10	3	21	1
2	SUVI Marco	Do					0	0	4
3	JÄRVE Madis	Taifu		10		10	2	20	2
4	AOVEER Deivid	Samurai		10			1	10	3

Matches

Match	White		Blue		Result	Time
1	KALDMAA Joonatan	1	2	SUVI Marco	10 - 0	0:00
2	JÄRVE Madis	3	4	AOVEER Deivid	10 - 0	0:00
3	KALDMAA Joonatan	1	3	JÄRVE Madis	1 - 0	0:00
4	SUVI Marco	2	4	AOVEER Deivid	0 - 10	0:00
5	KALDMAA Joonatan	1	4	AOVEER Deivid	10 - 0	0:00
6	SUVI Marco	2	3	JÄRVE Madis	0 - 10	0:00

Results

Pos	Name
1	KALDMAA Joonatan, Do
2	JÄRVE Madis, Taifu
3	AOVEER Deivid, Samurai
4	SUVI Marco, Do

Kass Arturi II etapp 06.03.2016 A.le.coq spordihoone B-58

Competitors: 3

Competitors

#	Name	Club	1	2	3	Wins	Pts	Pos
1	KÄNNA Silver	Do		10	10	2	20	1
2	LAAN Raino	Do			10	1	10	2
3	TULF markus	Altia				0	0	3

Matches

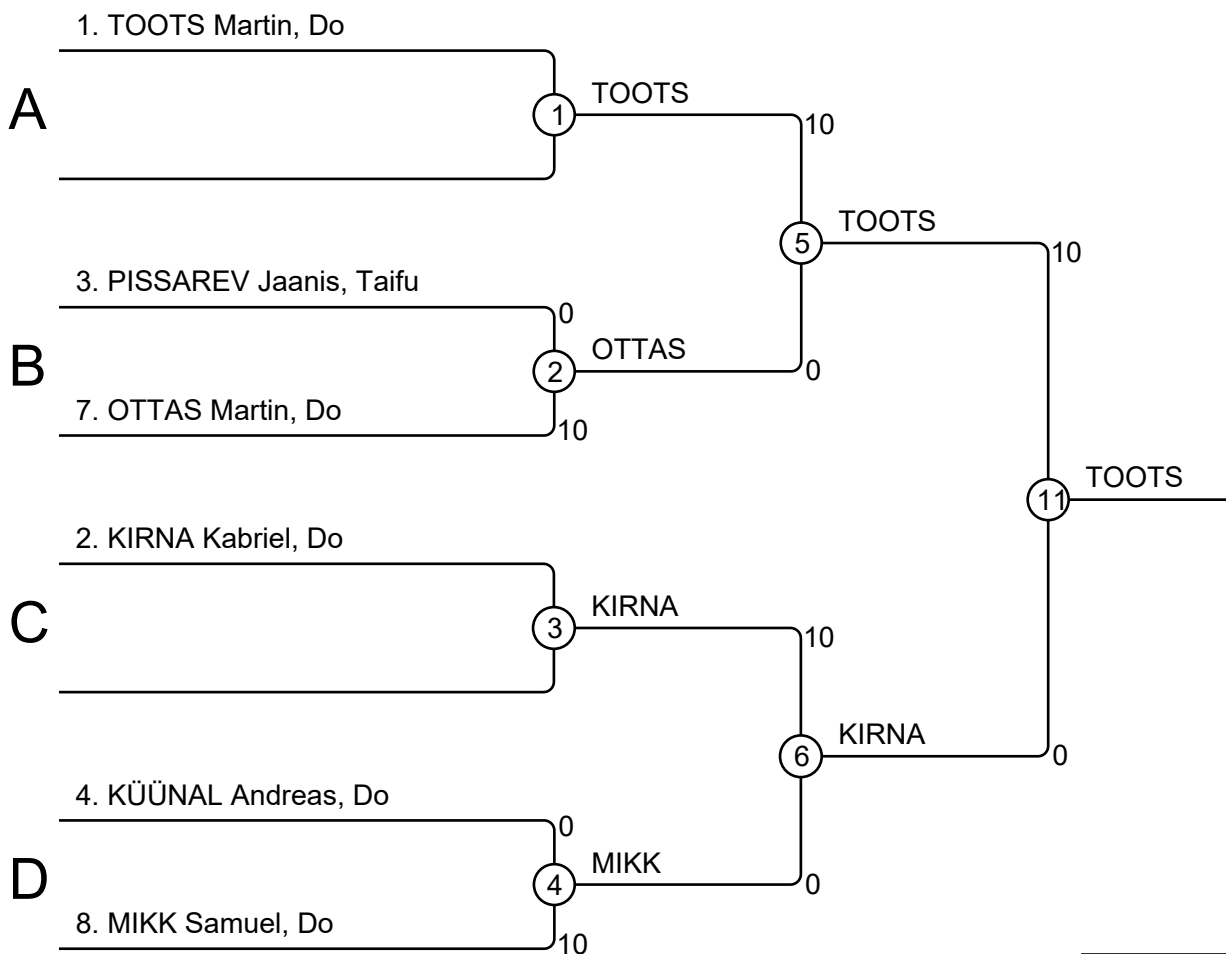
Match	White			Blue	Result	Time
1	KÄNNA Silver	1	2	LAAN Raino	10 - 0	0:00
2	KÄNNA Silver	1	3	TULF markus	10 - 0	0:00
3	LAAN Raino	2	3	TULF markus	10 - 0	0:00

Results

Pos	Name
1	KÄNNA Silver, Do
2	LAAN Raino, Do
3	TULF markus, Altia

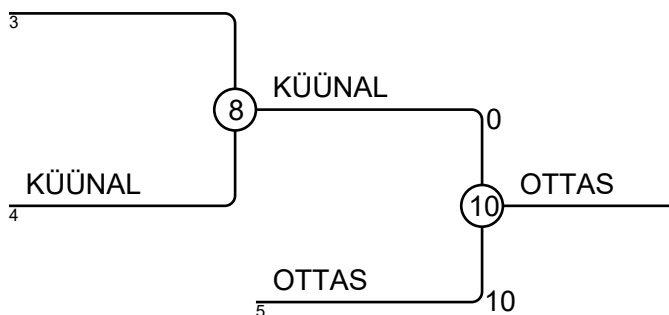
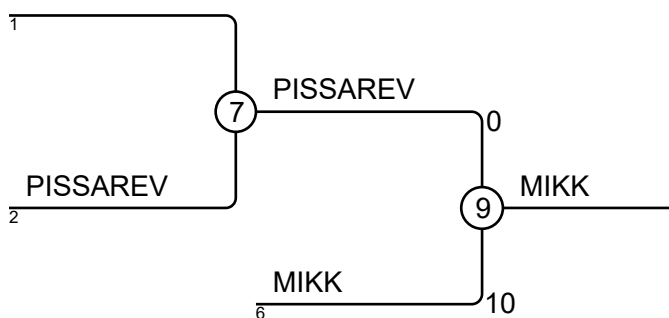
Kass Arturi II etapp 06.03.2016 A.le.coq spordihoone C+55

Competitors: 6



Results

Pos	Name
1	TOOTS Martin, Do
2	KIRNA Kabriel, Do
3	MIKK Samuel, Do
3	OTTAS Martin, Do
5	PISSAREV Jaanis, Taifu
5	KÜÜNAL Andreas, Do
7	
7	



Kass Arturi II etapp 06.03.2016 A.le.coq spordihoone C-30

Competitors: 4

Competitors

#	Name	Club	1	2	3	4	Wins	Pts	Pos
1	NÕMMIK Alari	Samurai					0	0	4
2	ÄRSIS Ander Arvo	Samurai	10				1	10	3
3	KALMUS Joosep	Do	10	10			2	20	2
4	TAMM Jan-Kristjan	Taifu	10	10	10		3	30	1

Matches

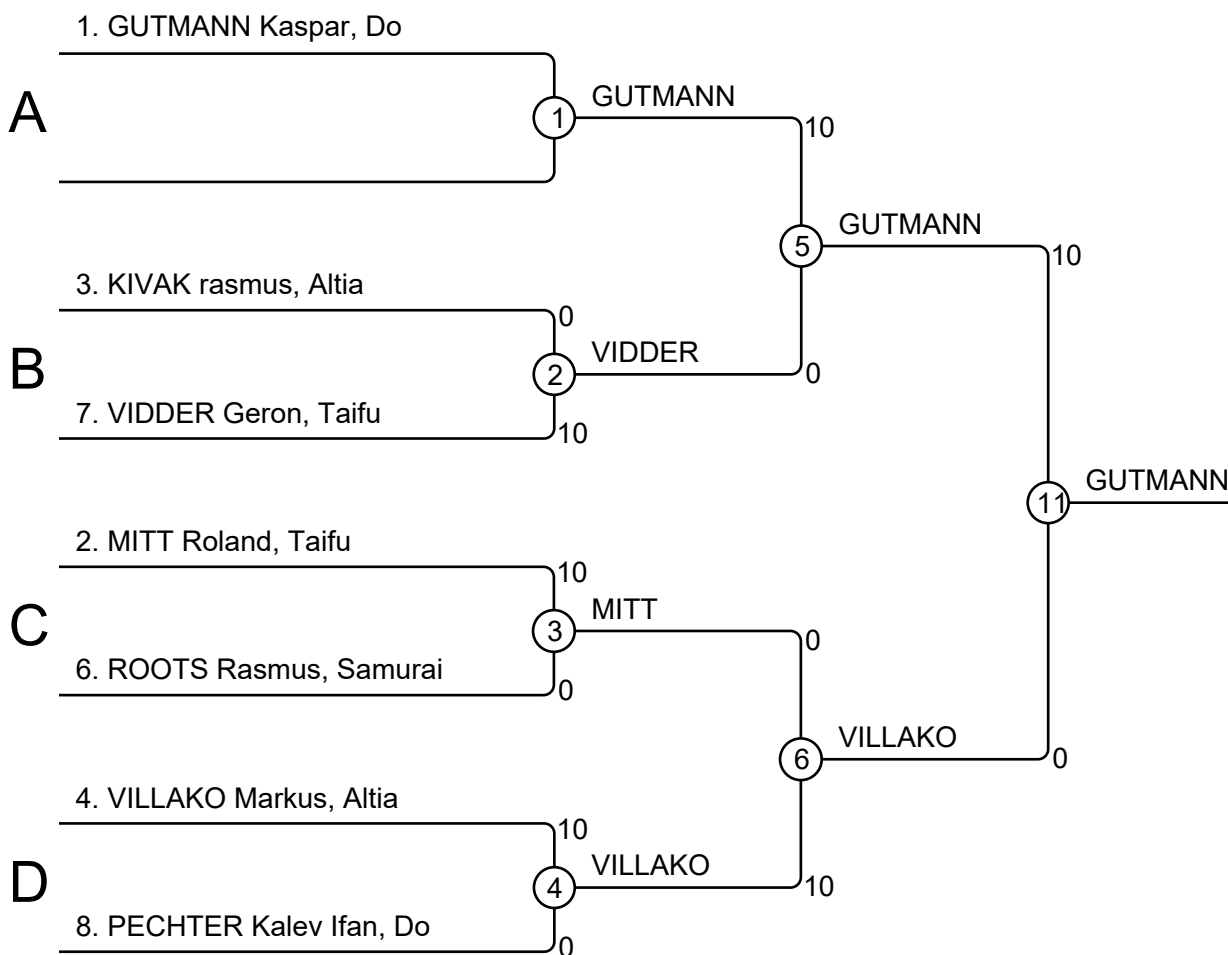
Match	White		Blue		Result	Time
1	NÕMMIK Alari	1	2	ÄRSIS Ander Arvo	0 - 10	0:00
2	KALMUS Joosep	3	4	TAMM Jan-Kristjan	0 - 10	0:00
3	NÕMMIK Alari	1	3	KALMUS Joosep	0 - 10	0:00
4	ÄRSIS Ander Arvo	2	4	TAMM Jan-Kristjan	0 - 10	0:00
5	NÕMMIK Alari	1	4	TAMM Jan-Kristjan	0 - 10	0:00
6	ÄRSIS Ander Arvo	2	3	KALMUS Joosep	0 - 10	0:00

Results

Pos	Name
1	TAMM Jan-Kristjan, Taifu
2	KALMUS Joosep, Do
3	ÄRSIS Ander Arvo, Samurai
4	NÕMMIK Alari, Samurai

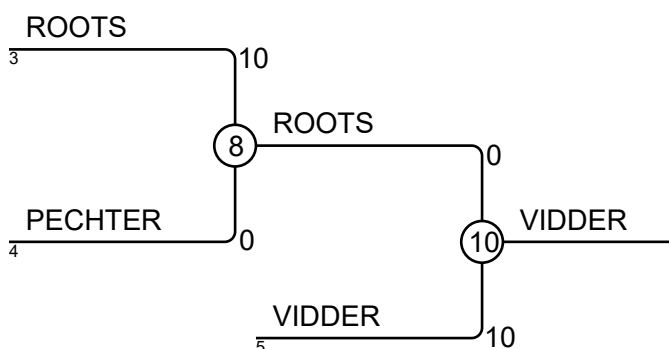
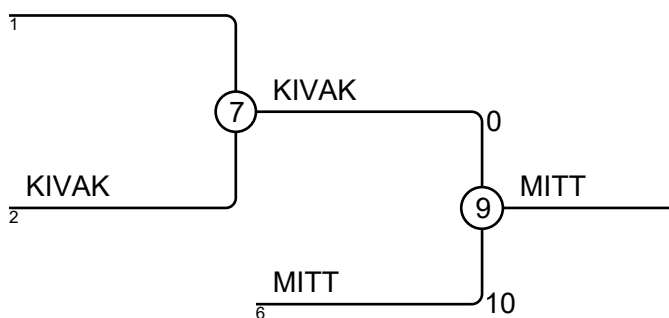
Kass Arturi II etapp 06.03.2016 A.le.coq spordihoone C-34

Competitors: 7



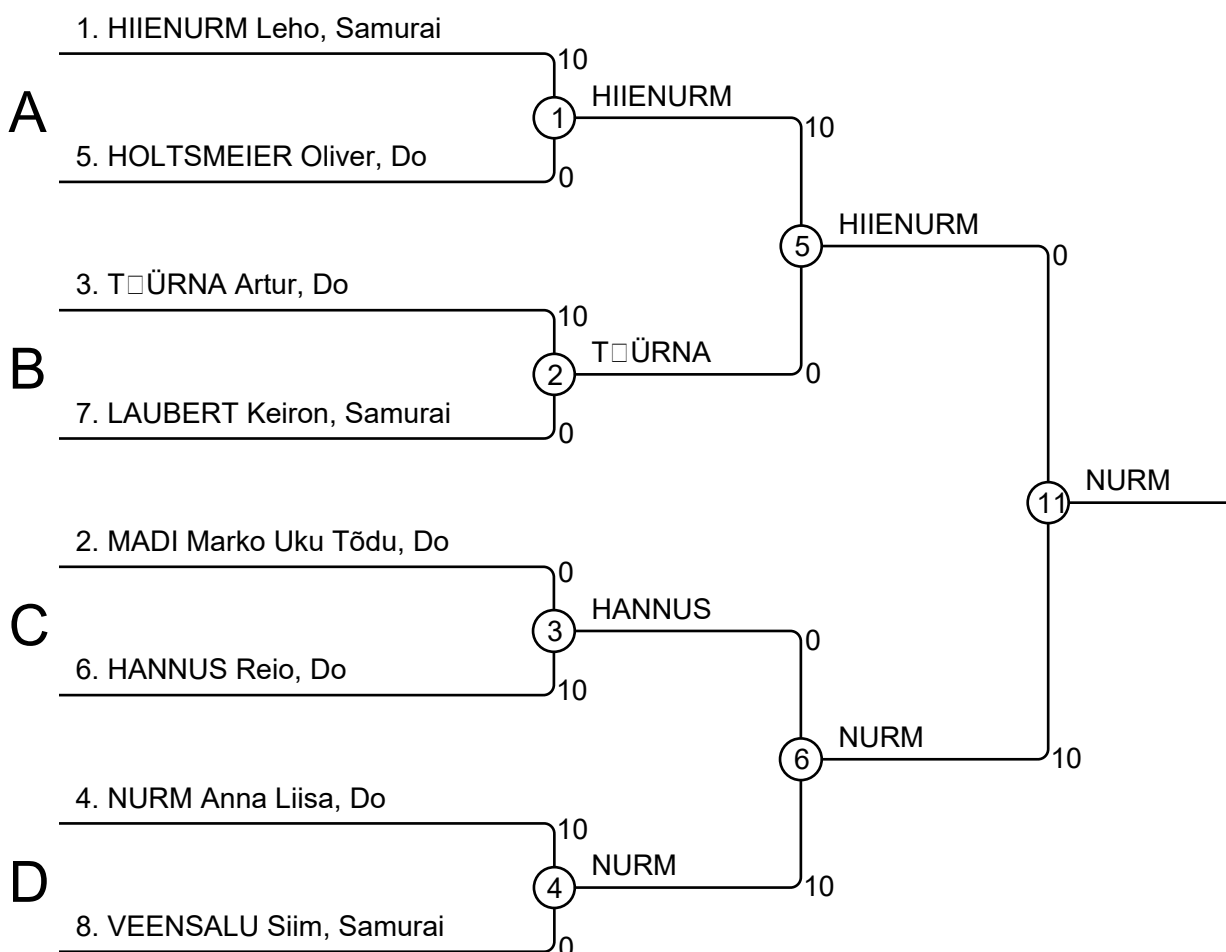
Results

Pos	Name
1	GUTMANN Kaspar, Do
2	VILLAKO Markus, Altia
3	MITT Roland, Taifu
3	VIDDER Geron, Taifu
5	KIVAK rasmus, Altia
5	ROOTS Rasmus, Samurai
7	
7	PECHTER Kalev Ifan, Do



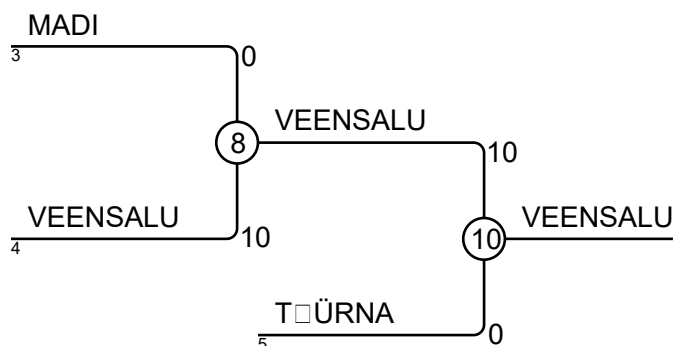
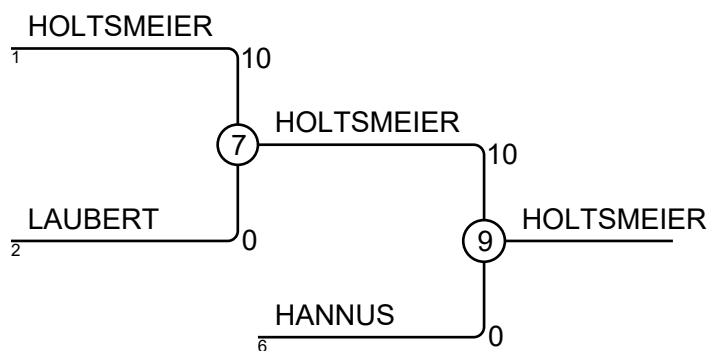
Kass Arturi II etapp 06.03.2016 A.le.coq spordihoone C-38

Competitors: 8



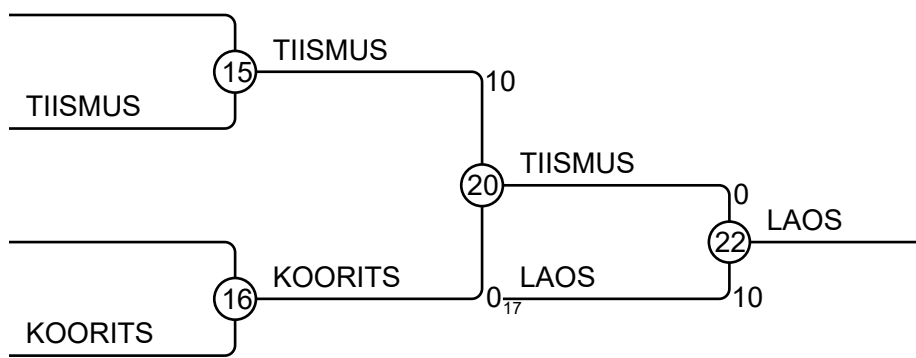
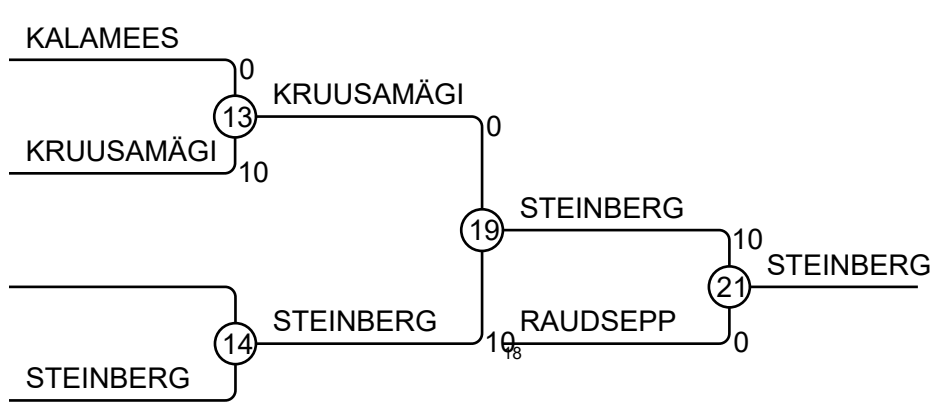
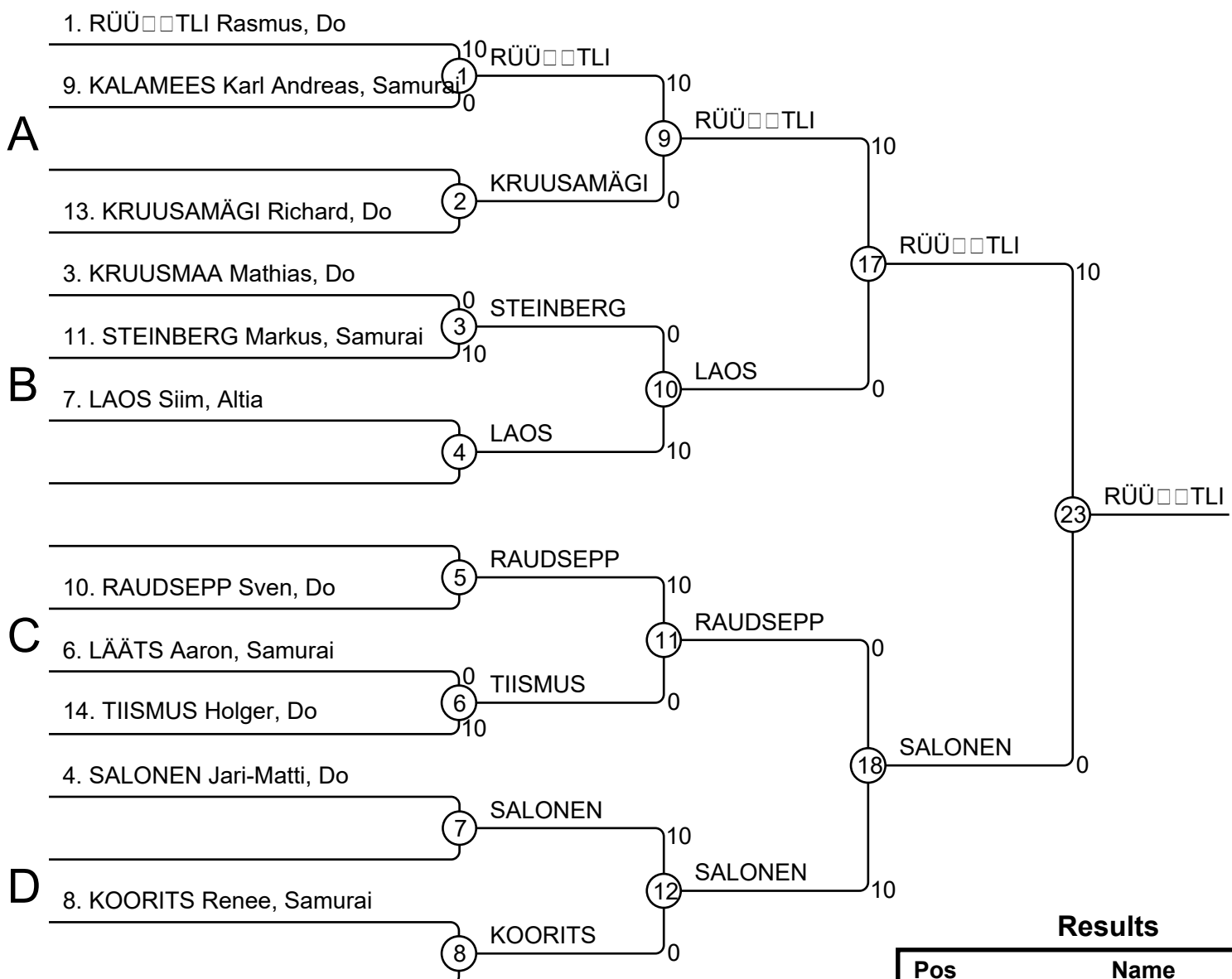
Results

Pos	Name
1	NURM Anna Liisa, Do
2	HIIENURM Leho, Samurai
3	HOLTSMEIER Oliver, Do
3	VEENSALU Siim, Samurai
5	HANNUS Reio, Do
5	TÜRNA Artur, Do
7	LAUBERT Keiron, Samurai
7	MADI Marko Uku Tõdu, Do



Kass Arturi II etapp 06.03.2016 A.le.coq spordihoone C-42

Competitors: 11



Results

Pos	Name
1	RÜÜ□□TLI Rasmus, Do
2	SALONEN Jari-Matti, Do
3	STEINBERG Markus, Samurai
3	LAOS Siim, Altia
5	RAUDSEPP Sven, Do
5	TIISMUS Holger, Do
7	KRUUSAMÄGI Richard, Do
7	KOORITS Renee, Samurai

Kass Arturi II etapp 06.03.2016 A.le.coq spordihoone C-48

Competitors: 5

Competitors

#	Name	Club	1	2	3	4	5	Wins	Pts	Pos
1	SAAR Kenner	Taifu		10	10	10	10	4	40	1
2	TIITUS Rait	Samurai				10	10	2	20	3
3	RAST Mattias Timm	Altia		10		10	10	3	30	2
4	KOORT Martin	Do						0	0	5
5	NOORSALU Harry	Do				10		1	10	4

Matches

Match	White		Blue		Result	Time
1	KOORT Martin	4	5	NOORSALU Harry	0 - 10	0:00
2	SAAR Kenner	1	2	TIITUS Rait	10 - 0	0:00
3	RAST Mattias Timm	3	4	KOORT Martin	10 - 0	0:00
4	SAAR Kenner	1	5	NOORSALU Harry	10 - 0	0:00
5	TIITUS Rait	2	3	RAST Mattias Timm	0 - 10	0:00
6	SAAR Kenner	1	4	KOORT Martin	10 - 0	0:00
7	RAST Mattias Timm	3	5	NOORSALU Harry	10 - 0	0:00
8	TIITUS Rait	2	4	KOORT Martin	10 - 0	0:00
9	SAAR Kenner	1	3	RAST Mattias Timm	10 - 0	0:00
10	TIITUS Rait	2	5	NOORSALU Harry	10 - 0	0:00

Results

Pos	Name
1	SAAR Kenner, Taifu
2	RAST Mattias Timm, Altia
3	TIITUS Rait, Samurai
4	NOORSALU Harry, Do
5	KOORT Martin, Do

Kass Arturi II etapp 06.03.2016 A.le.coq spordihoone C-55

Competitors: 4

Competitors

#	Name	Club	1	2	3	4	Wins	Pts	Pos
1	MITT Raio	Do					0	0	4
2	TERANDI Madis	Do	10			10	2	20	2
3	PILT Karl johannes	Do	10	10		10	3	30	1
4	KUKK Manfred	Do	1				1	1	3

Matches

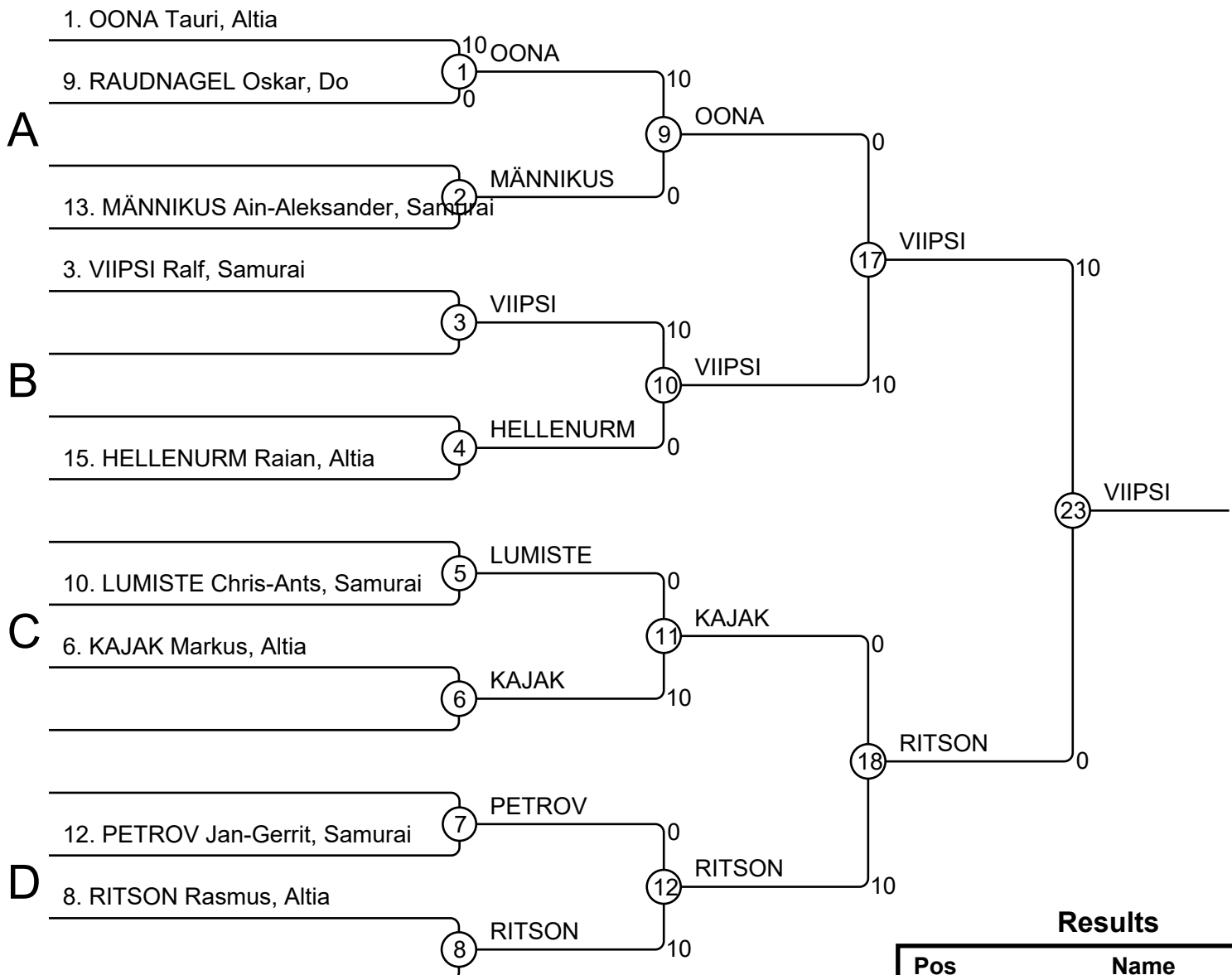
Match	White		Blue		Result	Time
1	MITT Raio	1	2	TERANDI Madis	0 - 10	0:00
2	PILT Karl johannes	3	4	KUKK Manfred	10 - 0	0:00
3	MITT Raio	1	3	PILT Karl johannes	0 - 10	0:00
4	TERANDI Madis	2	4	KUKK Manfred	10 - 0	0:00
5	MITT Raio	1	4	KUKK Manfred	0 - 1	0:00
6	TERANDI Madis	2	3	PILT Karl johannes	0 - 10	0:00

Results

Pos	Name
1	PILT Karl johannes, Do
2	TERANDI Madis, Do
3	KUKK Manfred, Do
4	MITT Raio, Do

Kass Arturi II etapp 06.03.2016 A.le.coq spordihoone D+40

Competitors: 9

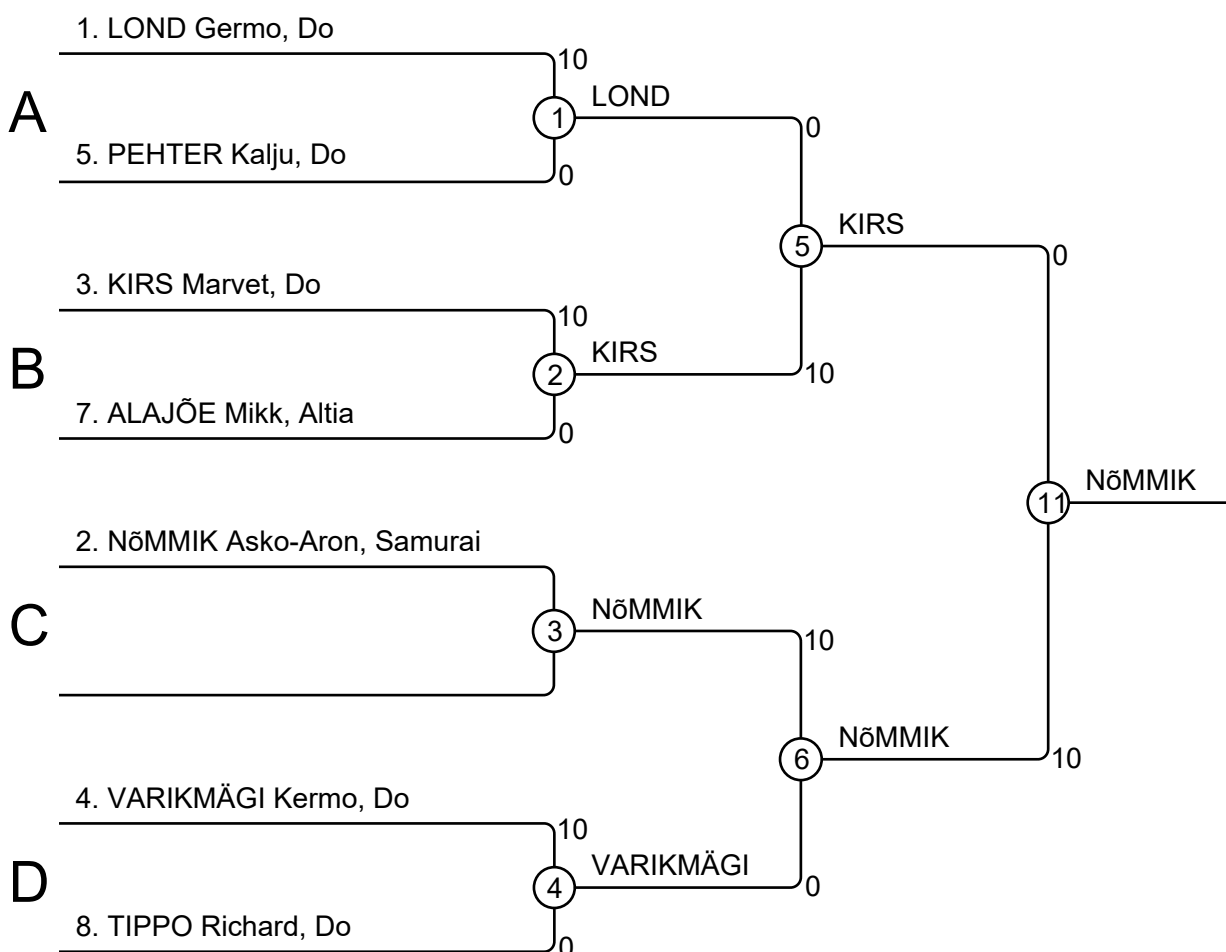


Results

Pos	Name
1	VIIPSI Ralf, Samurai
2	RITSON Rasmus, Altia
3	KAJAK Markus, Altia
3	OONA Tauri, Altia
5	RAUDNAGEL Oskar, Do
5	PETROV Jan-Gerrit, Samurai
7	HELLENURM Raian, Altia
7	LUMISTE Chris-Ants, Samurai

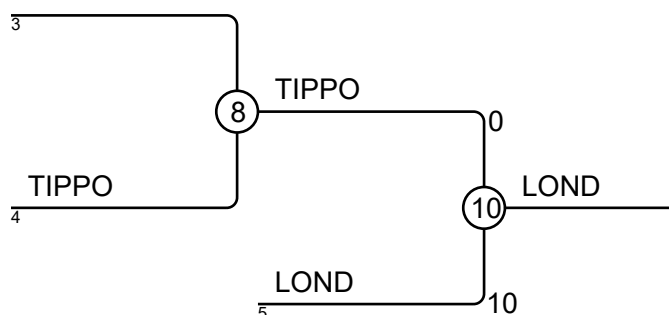
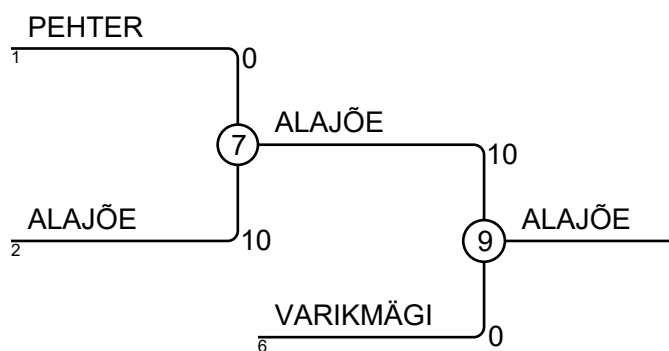
Kass Arturi II etapp 06.03.2016 A.le.coq spordihoone D-23

Competitors: 7



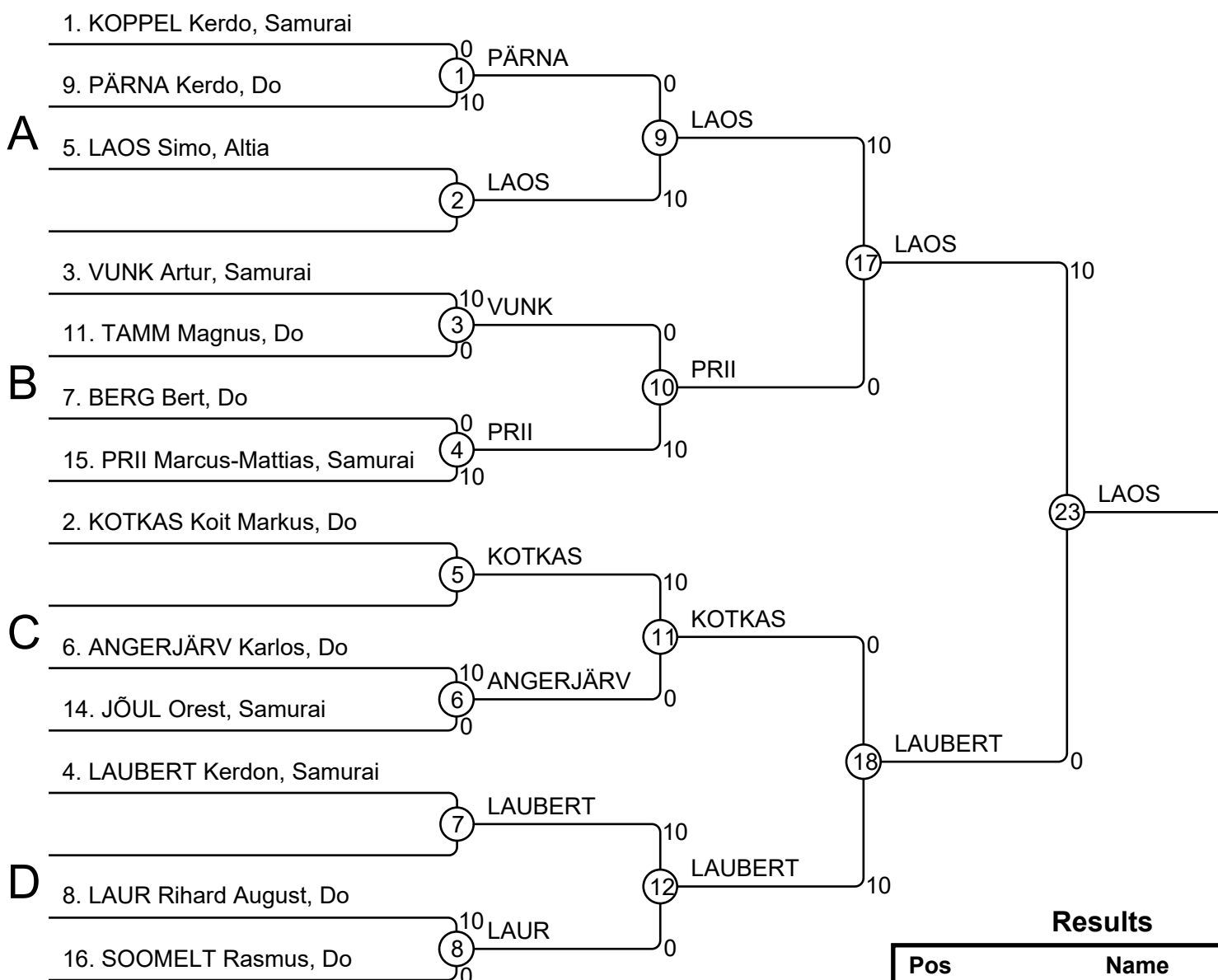
Results

Pos	Name
1	NõMMIK Asko-Aron, Samurai
2	KIRS Marvet, Do
3	ALAJÕE Mikk, Altia
3	LOND Germo, Do
5	VARIKMÄGI Kermo, Do
5	TIPPO Richard, Do
7	PEHTER Kalju, Do
7	



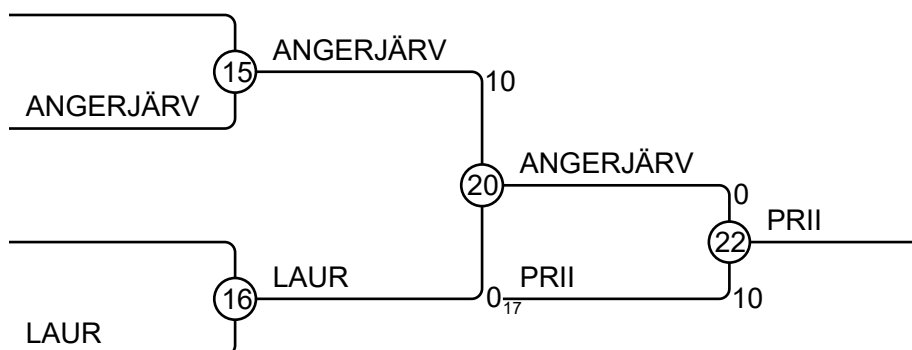
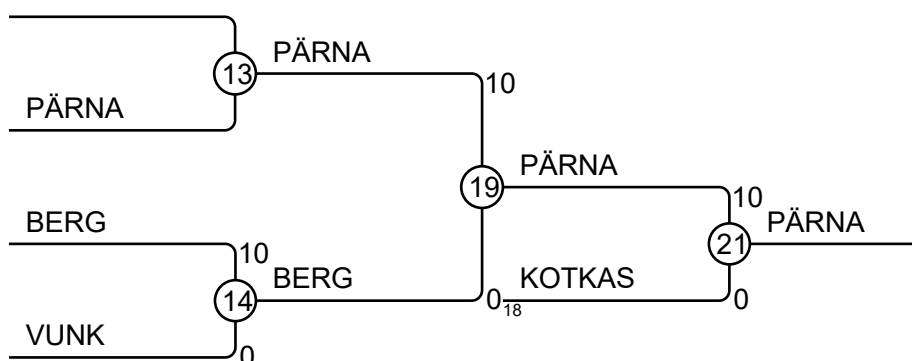
Kass Arturi II etapp 06.03.2016 A.le.coq spordihoone D-25

Competitors: 13



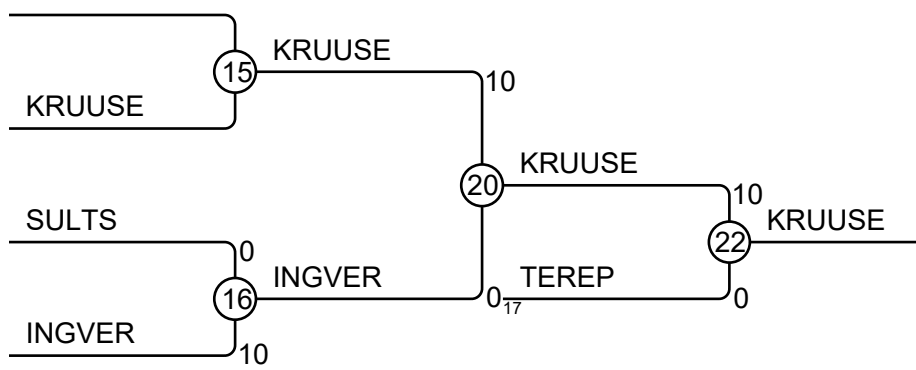
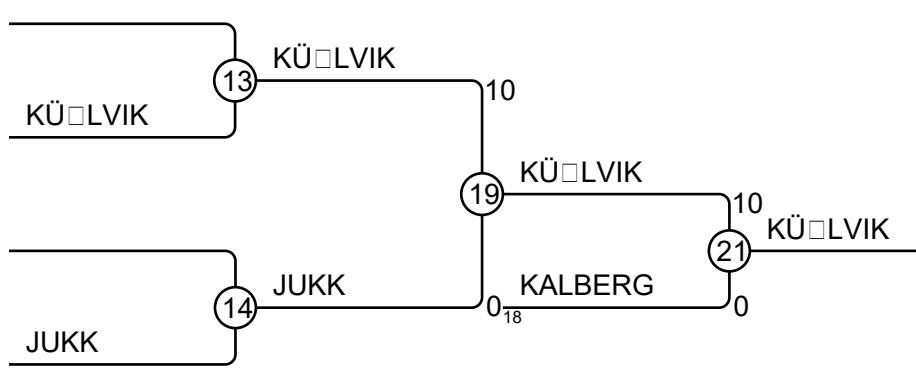
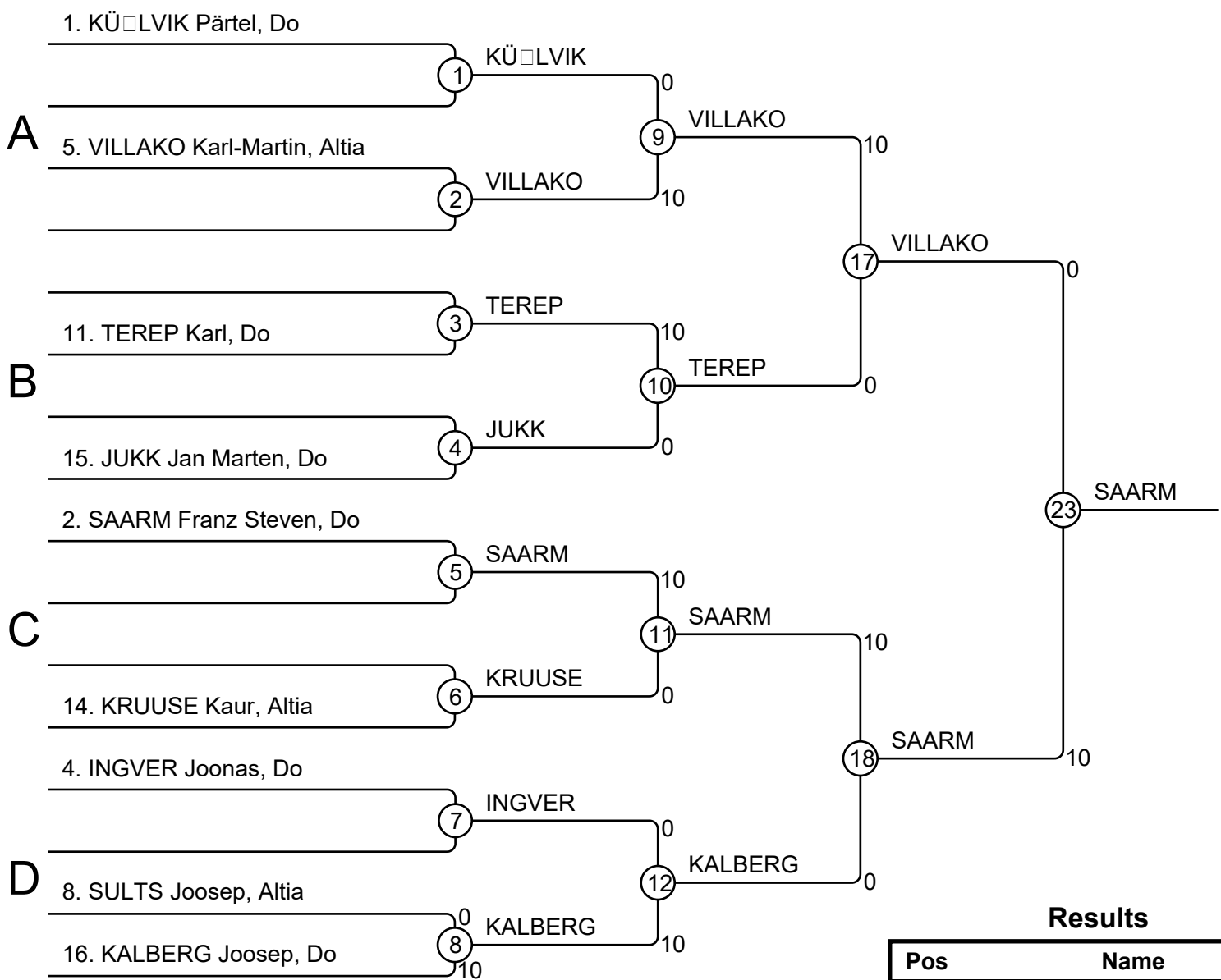
Results

Pos	Name
1	LAOS Simo, Altia
2	LAUBERT Kerdon, Samurai
3	PÄRNA Kerdo, Do
3	PRII Marcus-Mattias, Samurai
5	KOTKAS Koit Markus, Do
5	ANGERJÄRV Karlos, Do
7	BERG Bert, Do
7	LAUR Rihard August, Do



Kass Arturi II etapp 06.03.2016 A.le.coq spordihoone D-27

Competitors: 9

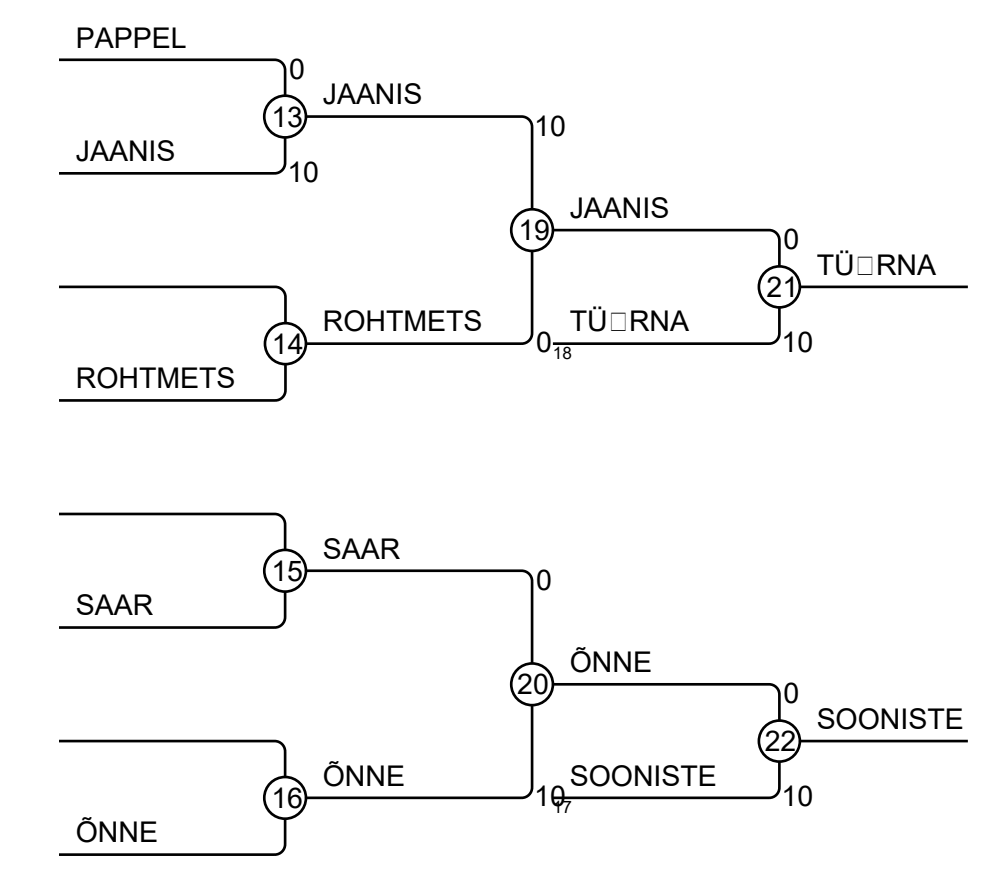
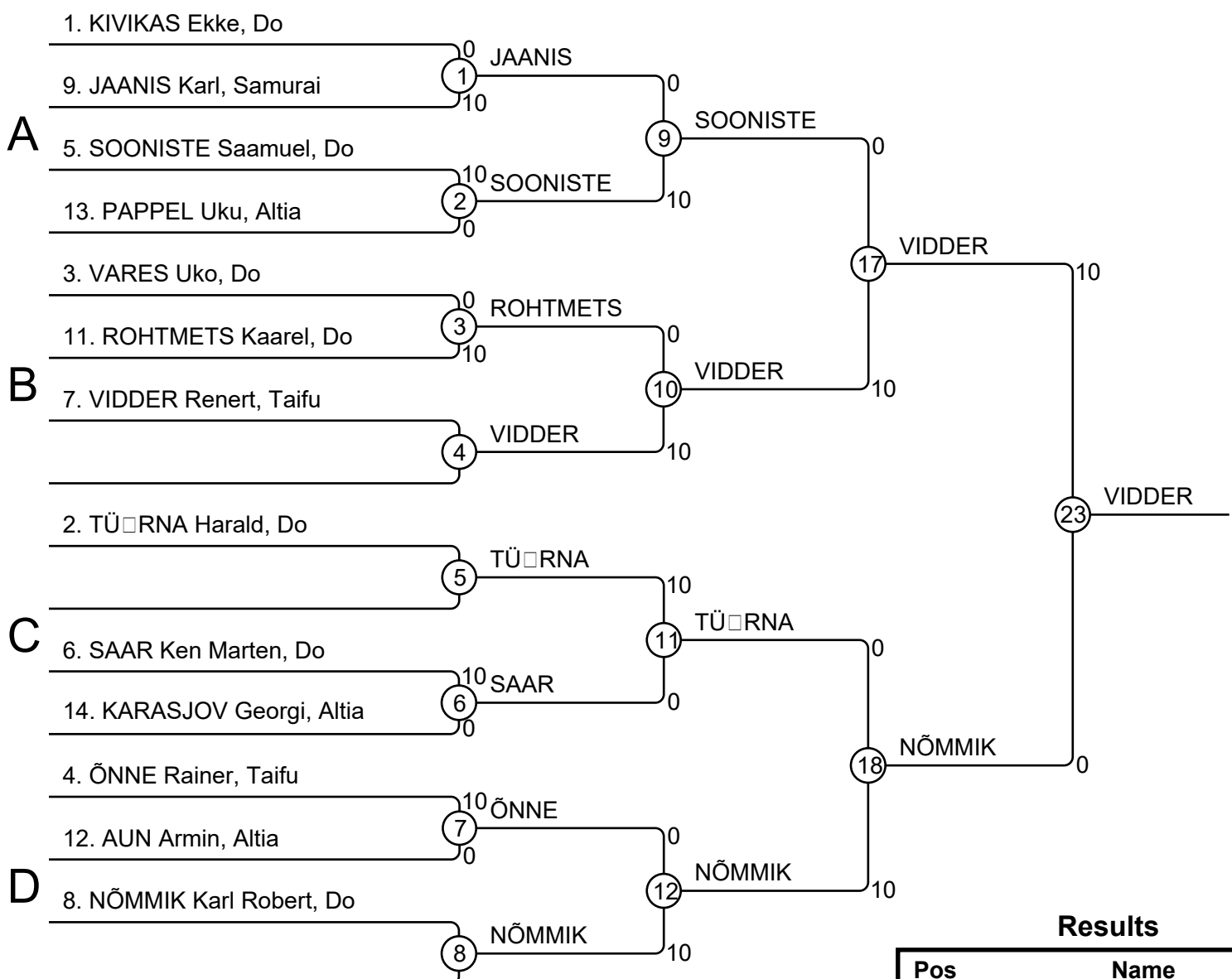


Results

Pos	Name
1	SAARM Franz Steven, Do
2	VILLAKO Karl-Martin, Altia
3	KÜ□LVIK Pärtel, Do
3	KRUUSE Kaur, Altia
5	KALBERG Joosep, Do
5	TEREP Karl, Do
7	JUKK Jan Marten, Do
7	INGVER Joonas, Do

Kass Arturi II etapp 06.03.2016 A.le.coq spordihoone D-30

Competitors: 13

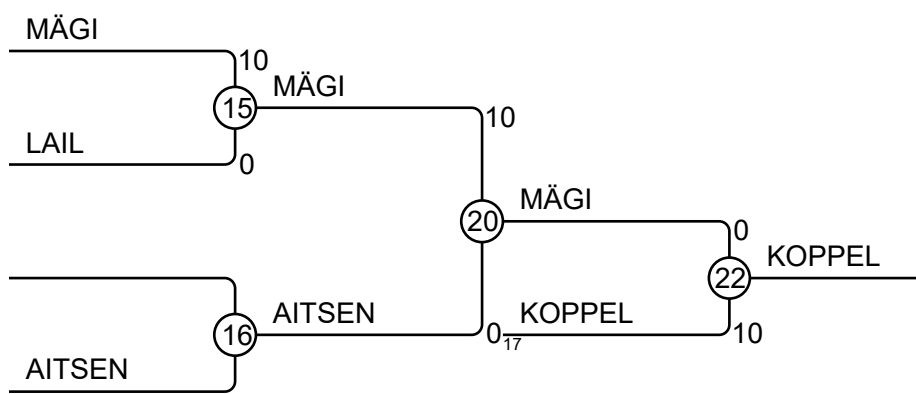
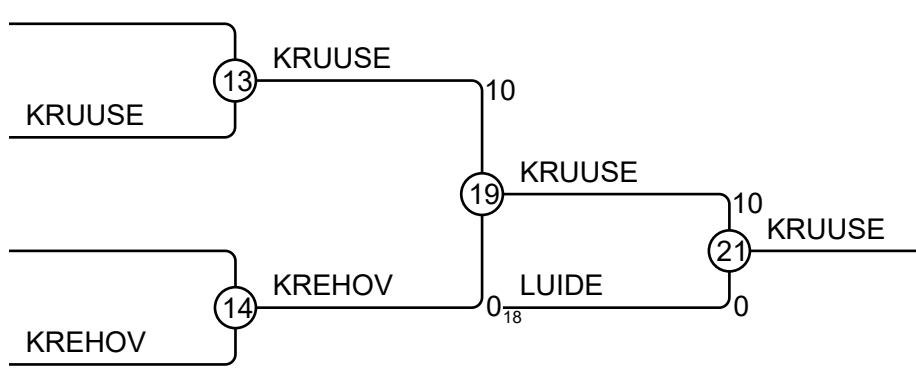
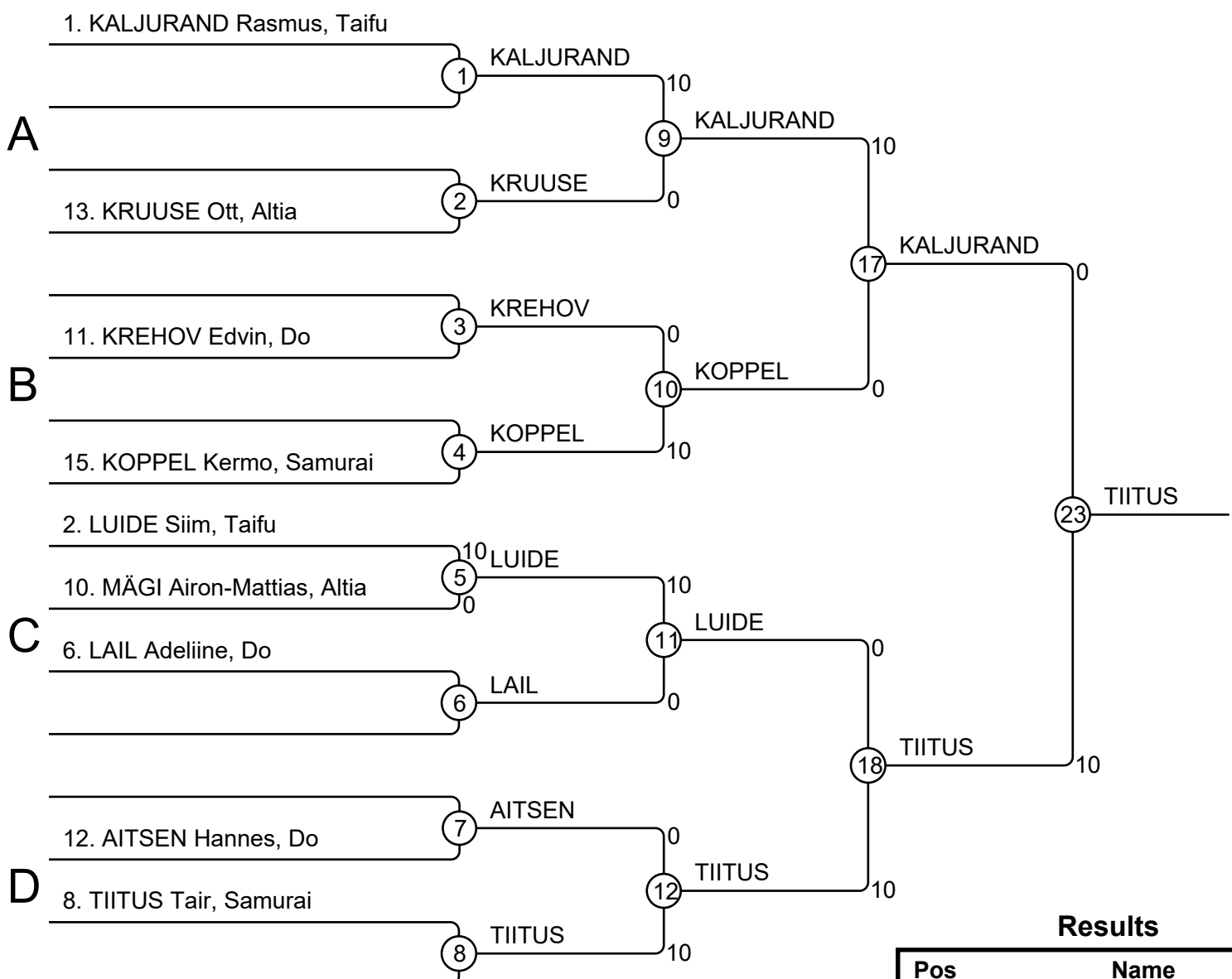


Results

Pos	Name
1	VIDDER Renert, Taifu
2	NÕMMIK Karl Robert, Do
3	TÜÜRNA Harald, Do
3	SOONISTE Saamuel, Do
5	JAANIS Karl, Samurai
5	ÖNNE Rainer, Taifu
7	ROHTMETS Kaarel, Do
7	SAAR Ken Marten, Do

Kass Arturi II etapp 06.03.2016 A.le.coq spordihoone D-34

Competitors: 9

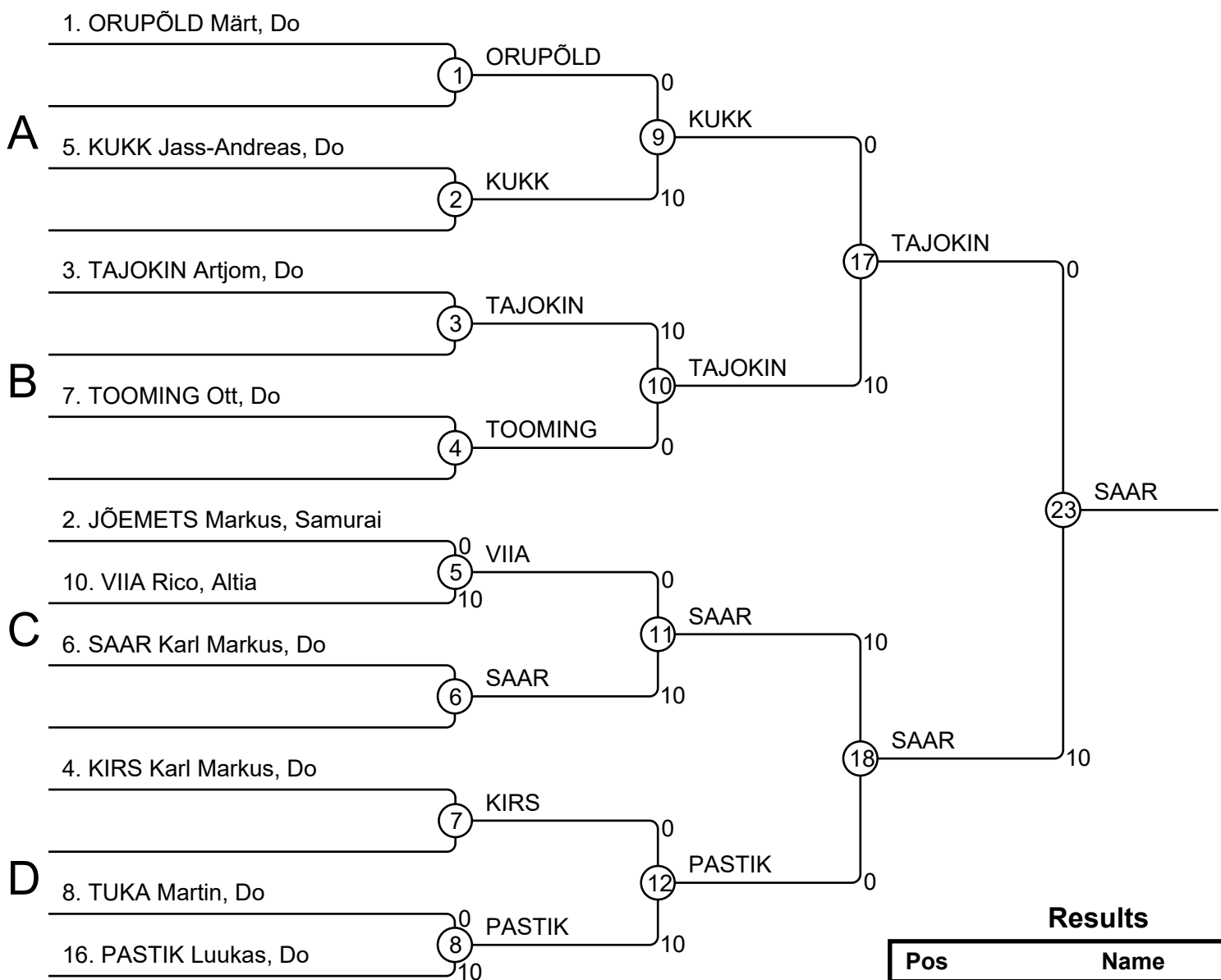


Results

Pos	Name
1	TIITUS Tair, Samurai
2	KALJURAND Rasmus, Taifu
3	KRUUSE Ott, Altia
3	KOPPEL Kermo, Samurai
5	LUIDE Siim, Taifu
5	MÄGI Airon-Mattias, Altia
7	KREHOV Edvin, Do
7	AITSEN Hannes, Do

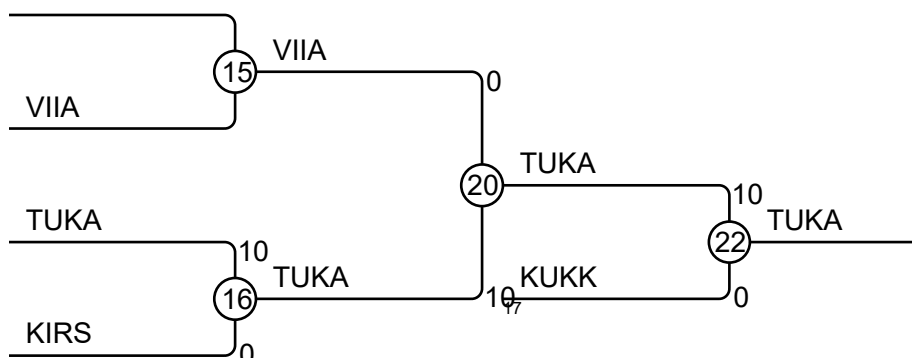
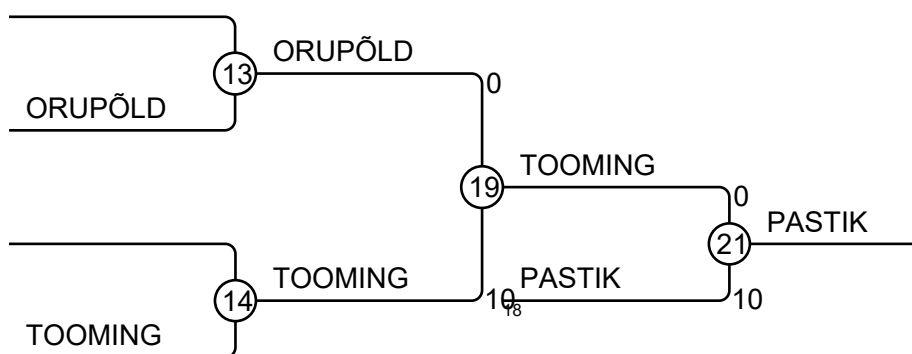
Kass Arturi II etapp 06.03.2016 A.le.coq spordihoone D-40

Competitors: 10



Results

Pos	Name
1	SAAR Karl Markus, Do
2	TAJOKIN Artjom, Do
3	PASTIK Luukas, Do
3	TUKA Martin, Do
5	TOOMING Ott, Do
5	KUKK Jass-Andreas, Do
7	ORUPÕLD Märt, Do
7	VIIA Rico, Altia



Kass Arturi II etapp 06.03.2016 A.le.coq spordihoone T+50

Competitors: 4

Competitors

#	Name	Club	1	2	3	4	Wins	Pts	Pos
1	HERMLIN Janelle	Do		10	7		2	17	2
2	VALGE Jessica Liilia	Do					0	0	4
3	ILVES Sandra	Do		5			1	5	3
4	TSVETKOVA Alina	Do	10	10	10		3	30	1

Matches

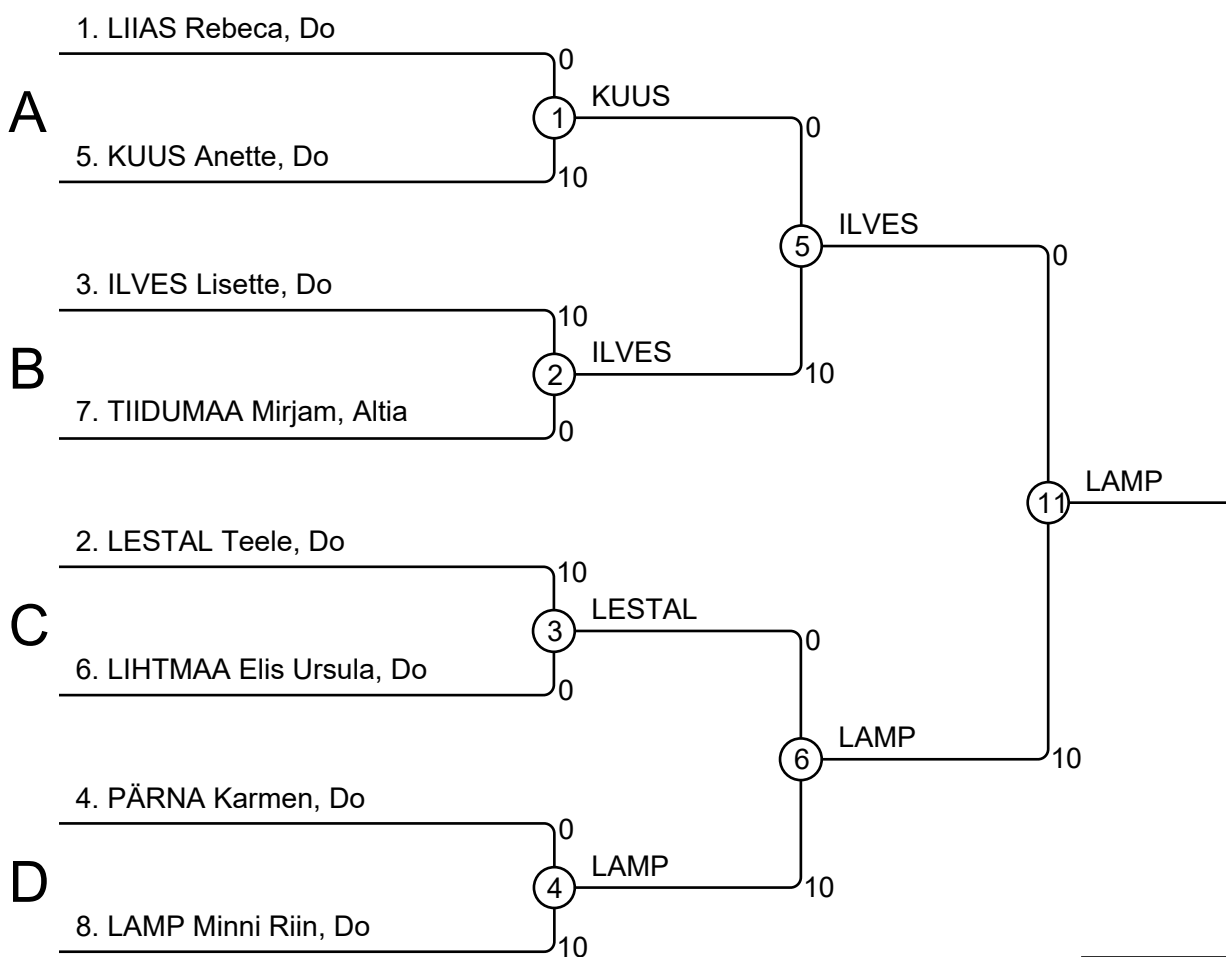
Match	White		Blue		Result	Time
1	HERMLIN Janelle	1	2	VALGE Jessica Liilia	10 - 0	0:00
2	ILVES Sandra	3	4	TSVETKOVA Alina	0 - 10	0:00
3	HERMLIN Janelle	1	3	ILVES Sandra	7 - 0	0:00
4	VALGE Jessica Liilia	2	4	TSVETKOVA Alina	0 - 10	0:00
5	HERMLIN Janelle	1	4	TSVETKOVA Alina	0 - 10	0:00
6	VALGE Jessica Liilia	2	3	ILVES Sandra	0 - 5	0:00

Results

Pos	Name
1	TSVETKOVA Alina, Do
2	HERMLIN Janelle, Do
3	ILVES Sandra, Do
4	VALGE Jessica Liilia, Do

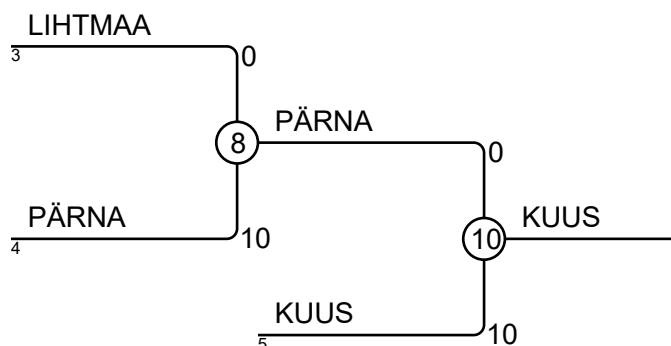
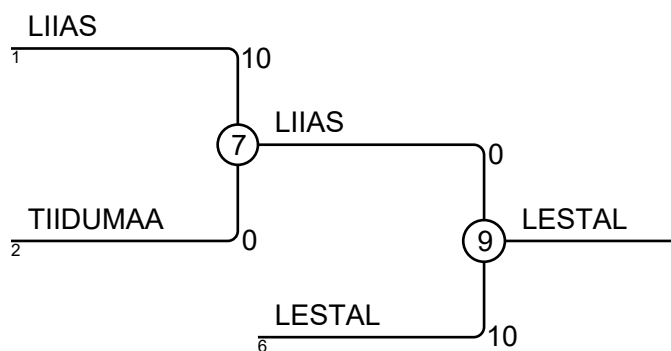
Kass Arturi II etapp 06.03.2016 A.le.coq spordihoone T-30

Competitors: 8



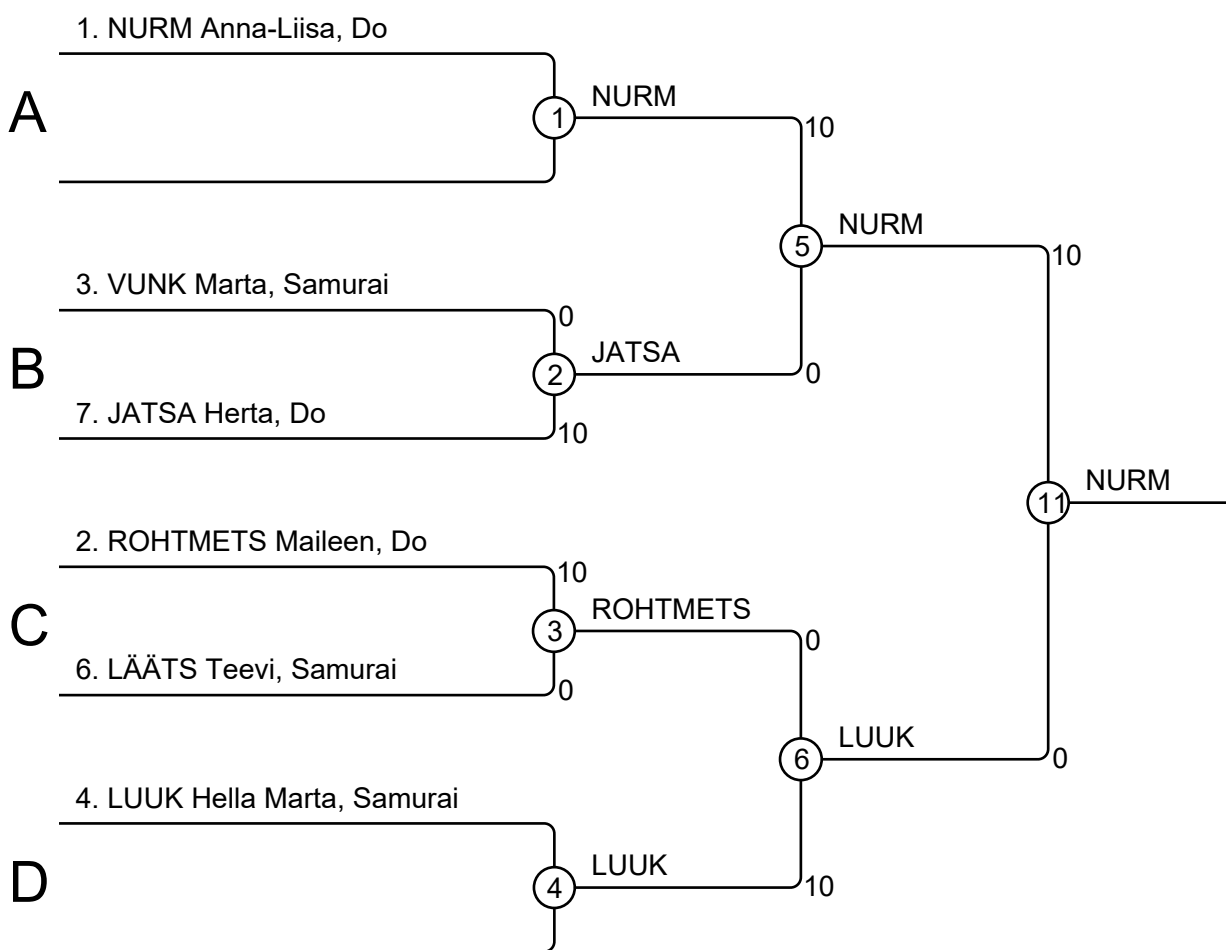
Results

Pos	Name
1	LAMP Minni Riin, Do
2	ILVES Lisette, Do
3	LESTAL Teele, Do
3	KUUS Anette, Do
5	LIIAS Rebeca, Do
5	PÄRNA Karmen, Do
7	TIIDUMAA Mirjam, Altia
7	LIHTMAA Elis Ursula, Do



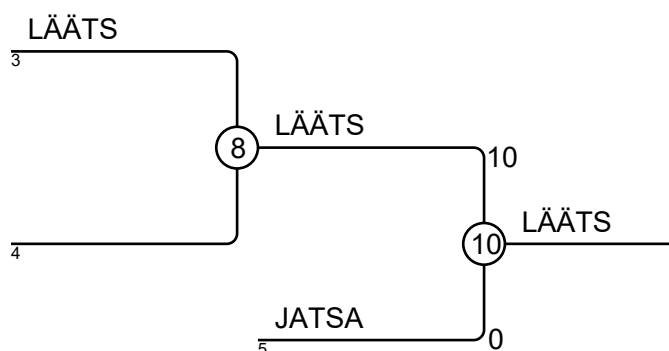
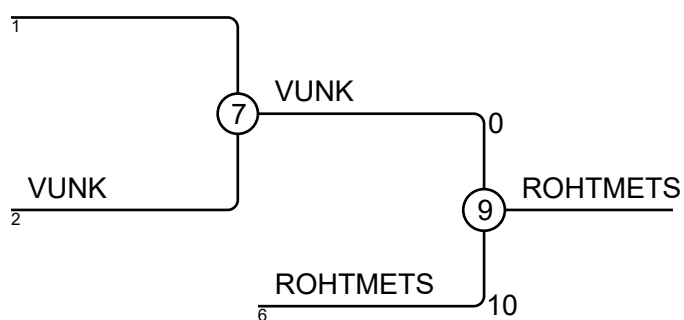
Kass Arturi II etapp 06.03.2016 A.le.coq spordihoone T-40

Competitors: 6



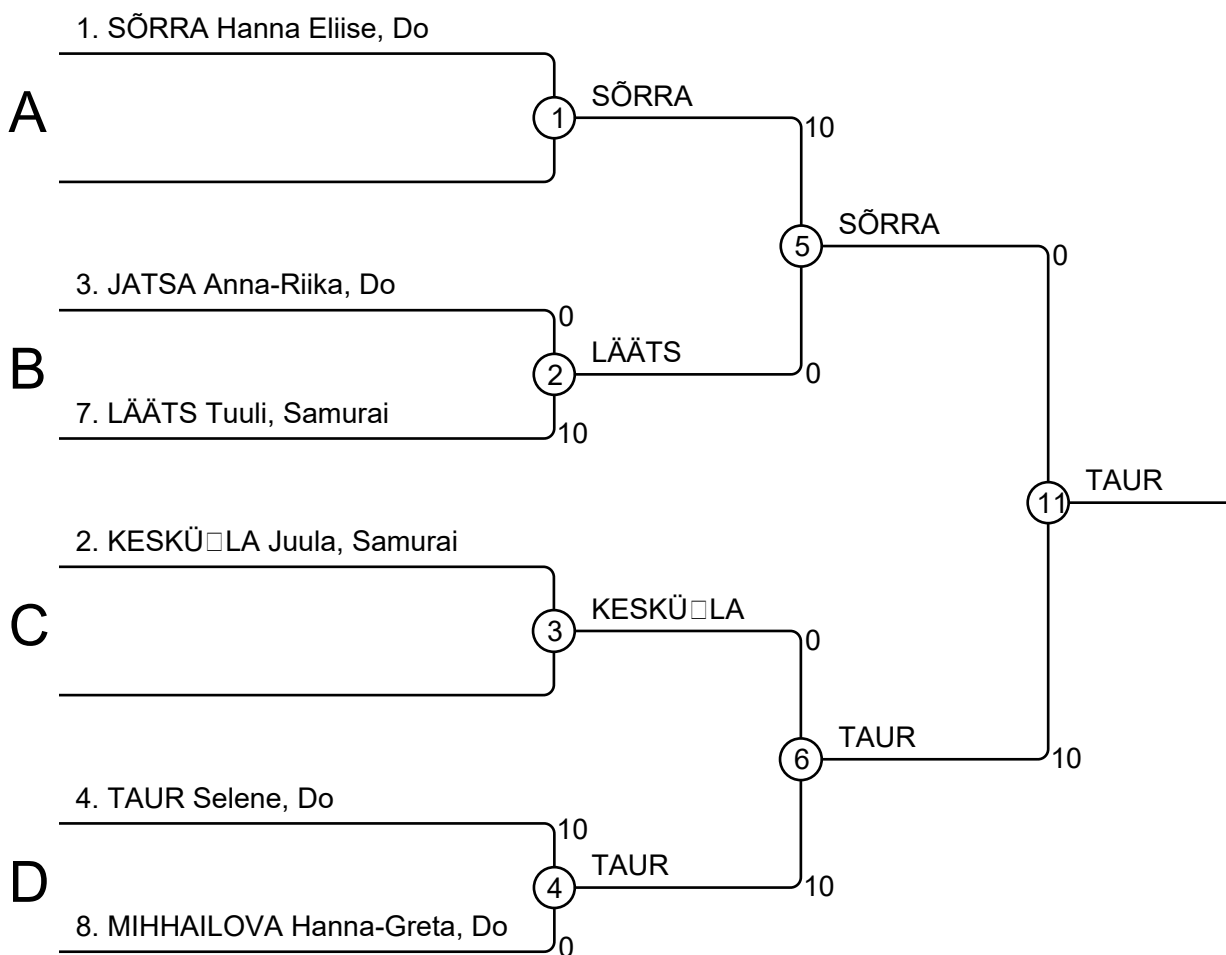
Results

Pos	Name
1	NURM Anna-Liisa, Do
2	LUUK Hella Marta, Samurai
3	ROHTMETS Maileen, Do
3	LÄÄTS Teevi, Samurai
5	VUNK Marta, Samurai
5	JATSA Herta, Do
7	
7	



Kass Arturi II etapp 06.03.2016 A.le.coq spordihoone T-50

Competitors: 6



Results

Pos	Name
1	TAUR Selene, Do
2	SÕRRA Hanna Eliise, Do
3	KESKÜLA Juula, Samurai
3	LÄÄTS Tuuli, Samurai
5	JATSA Anna-Riika, Do
5	MIHHAILOVA Hanna-Greta, Do
7	
7	

