

XXIII Elva Open Judos 14.01.2017 Elva Gümnaasium CG+50

Competitors: 5

Competitors

#	Name	Grade	Club	1	2	3	4	5	Wins	Pts	Pos
1	Sandra ILVES	?	Do			10			1	10	4
2	Maria Simona PAPP	?	Toni Judokool	10		10	10	10	4	40	1
3	Amina REBANE	?	Dodze						0	0	5
4	Hanna Eliisa SÕRRA	?	Do	10		10		7	3	27	2
5	Maris PIKKMETS	?	Aitado	10		10			2	20	3

Matches

Match	White		Blue		Result	Time
1	Hanna Eliisa SÕRRA	4	5	Maris PIKKMETS	7 - 0	0:00
2	Sandra ILVES	1	2	Maria Simona PAPP	0 - 10	0:00
3	Amina REBANE	3	4	Hanna Eliisa SÕRRA	0 - 10	0:00
4	Sandra ILVES	1	5	Maris PIKKMETS	0 - 10	0:00
5	Maria Simona PAPP	2	3	Amina REBANE	10 - 0	0:00
6	Sandra ILVES	1	4	Hanna Eliisa SÕRRA	0 - 10	0:00
7	Amina REBANE	3	5	Maris PIKKMETS	0 - 10	0:00
8	Maria Simona PAPP	2	4	Hanna Eliisa SÕRRA	10 - 0	0:00
9	Sandra ILVES	1	3	Amina REBANE	10 - 0	0:00
10	Maria Simona PAPP	2	5	Maris PIKKMETS	10 - 0	0:00

Results

Pos	Name
1	Maria Simona PAPP, Toni Judokool
2	Hanna Eliisa SÕRRA, Do
3	Maris PIKKMETS, Aitado
4	Sandra ILVES, Do
5	Amina REBANE, Dodze

XXIII Elva Open Judos 14.01.2017 Elva Gümnaasium CG-50

Competitors: 7

Competitors A

#	Name	Grade	Club	1	2	3	4	Wins	Pts	Pos
1	Anna Liisa NURM	?	Do		10	10	10	3	30	1
2	Jekaterina BRJAKINA	?	Audentes			10		1	10	3
3	Päike Triinu TAMM	?	Aitado					0	0	4
4	Merily KOPELMAA	?	Audru Aitado		7	10		2	17	2

Matches A

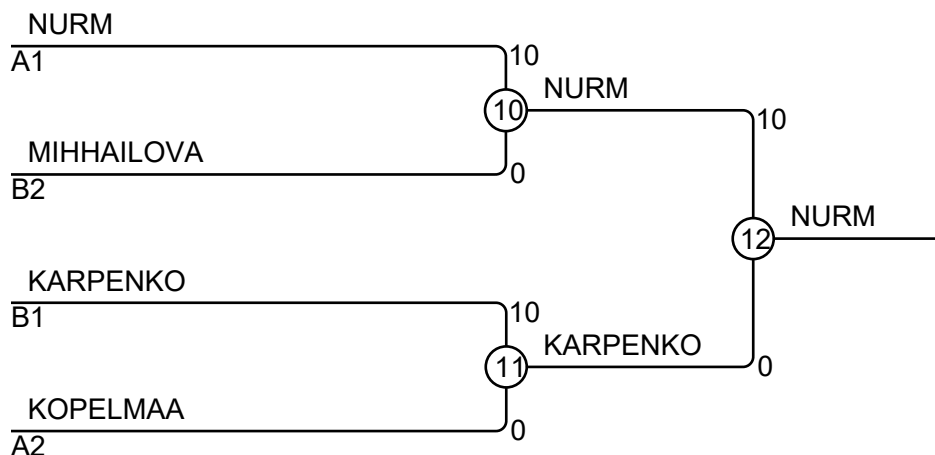
Match	White	Blue	Result	Time
1	Anna Liisa NURM	Jekaterina BRJAKINA	10 - 0	0:00
2	Päike Triinu TAMM	Merily KOPELMAA	0 - 10	0:00
4	Anna Liisa NURM	Päike Triinu TAMM	10 - 0	0:00
5	Jekaterina BRJAKINA	Merily KOPELMAA	0 - 7	0:00
7	Anna Liisa NURM	Merily KOPELMAA	10 - 0	0:00
8	Jekaterina BRJAKINA	Päike Triinu TAMM	10 - 0	0:00

Competitors B

#	Name	Grade	Club	5	6	7	Wins	Pts	Pos
5	Hanna Greta MIHHAILOVA	?	Do			7	1	7	2
6	Kristina KARPENKO	?	Buffen-Do	10		10	2	20	1
7	Pille RANDLANE	?	Zen				0	0	3

Matches B

Match	White	Blue	Result	Time
3	Hanna Greta MIHHAILOVA	Kristina KARPENKO	0 - 10	0:00
6	Hanna Greta MIHHAILOVA	Pille RANDLANE	7 - 0	0:00
9	Kristina KARPENKO	Pille RANDLANE	10 - 0	0:00



Results

Pos	Name
1	Anna Liisa NURM, Do
2	Kristina KARPENKO, Buffen-Do
3	Hanna Greta MIHHAILOVA, Do
3	Merily KOPELMAA, Audru Aitado

XXIII Elva Open Judos 14.01.2017 Elva Gümnaasium CG-35

Competitors: 3

Competitors

#	Name	Grade	Club	1	2	3	Wins	Pts	Pos
1	Evelina JAVORSKA	?	Aluksne		10	10	1	10	1
2	Keita Lidace DOBROLUBOVA	?	Aluksne				0	0	3
3	Aljone SAZONOVA	?	Buffen-Do				0	0	2

Matches

Match	White			Blue	Result	Time
1	Evelina JAVORSKA	1	2	Keita Lidace DOBROLUBOVA	10 - 0	0:00
2	Evelina JAVORSKA	1	3	Aljone SAZONOVA	10 - 0	0:00
3	Keita Lidace DOBROLUBOVA	2	3	Aljone SAZONOVA		

Results

Pos	Name
1	Evelina JAVORSKA, Aluksne
2	Aljone SAZONOVA, Buffen-Do
3	Keita Lidace DOBROLUBOVA, Aluksne

XXIII Elva Open Judos 14.01.2017 Elva Gümnaasium CB+70

Competitors: 3

Competitors

#	Name	Grade	Club	1	2	3	Wins	Pts	Pos
1	Edgar ALEKSANYAN	?	Audentes SK				0	0	3
2	Eduard LADÕGIN	?	Audentes SK	10			1	10	2
3	Samuel MIKK	?	Do	10	10		2	20	1

Matches

Match	White			Blue	Result	Time
1	Edgar ALEKSANYAN	1	2	Eduard LADÕGIN	0 - 10	0:00
2	Edgar ALEKSANYAN	1	3	Samuel MIKK	0 - 10	0:00
3	Eduard LADÕGIN	2	3	Samuel MIKK	0 - 10	0:00

Results

Pos	Name
1	Samuel MIKK, Do
2	Eduard LADÕGIN, Audentes SK
3	Edgar ALEKSANYAN, Audentes SK

XXIII Elva Open Judos 14.01.2017 Elva Gümnaasium CB-34

Competitors: 6

Competitors

#	Name	Grade	Club	1	2	3	4	5	6	Wins	Pts	Pos
1	Jegor ZAITSEV	?	Buffen-Do				10	7	7	3	24	3
2	Nikita JEGOROV	?	Buffen-Do	10		10	10	10	10	5	50	1
3	Saad DIKAJEV	?	Audentes SK	10			10	10	10	4	40	2
4	Andry AAVAST	?	Barra							0	0	6
5	Alexander KORNIENKO	?	Kibuvits				7			1	7	5
6	Oskar MÄRTIN	?	Mikata				10	10		2	20	4

Matches

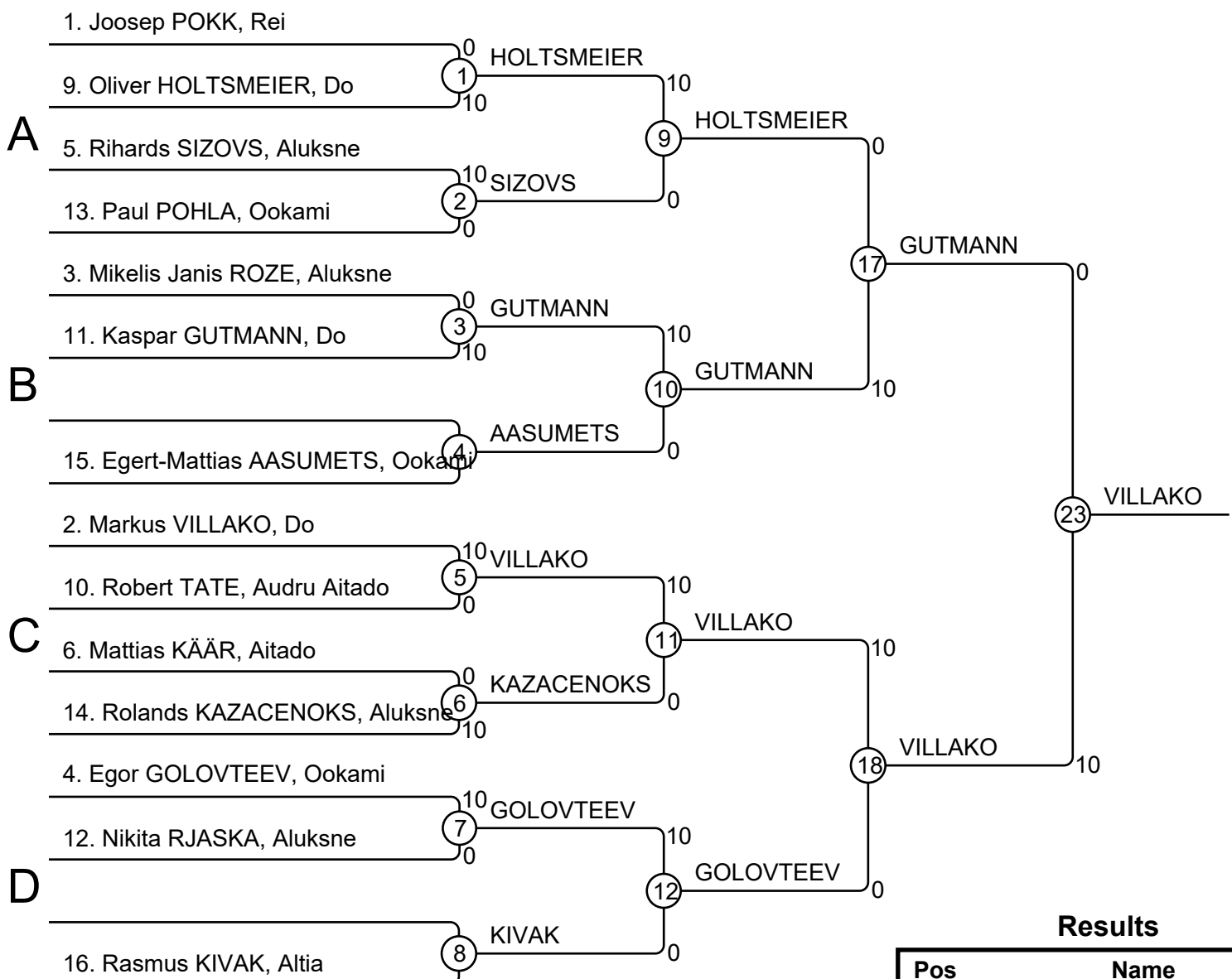
Match	White		Blue		Result	Time
1	Jegor ZAITSEV	1	2	Nikita JEGOROV	0 - 10	0:00
2	Saad DIKAJEV	3	5	Alexander KORNIENKO	10 - 0	0:00
3	Nikita JEGOROV	2	4	Andry AAVAST	10 - 0	0:00
4	Jegor ZAITSEV	1	6	Oskar MÄRTIN	7 - 0	0:00
5	Andry AAVAST	4	5	Alexander KORNIENKO	0 - 7	0:00
6	Nikita JEGOROV	2	3	Saad DIKAJEV	10 - 0	0:00
7	Andry AAVAST	4	6	Oskar MÄRTIN	0 - 10	0:00
8	Nikita JEGOROV	2	5	Alexander KORNIENKO	10 - 0	0:00
9	Saad DIKAJEV	3	4	Andry AAVAST	10 - 0	0:00
10	Jegor ZAITSEV	1	5	Alexander KORNIENKO	7 - 0	0:00
11	Saad DIKAJEV	3	6	Oskar MÄRTIN	10 - 0	0:00
12	Jegor ZAITSEV	1	4	Andry AAVAST	10 - 0	0:00
13	Alexander KORNIENKO	5	6	Oskar MÄRTIN	0 - 10	0:00
14	Jegor ZAITSEV	1	3	Saad DIKAJEV	0 - 10	0:00
15	Nikita JEGOROV	2	6	Oskar MÄRTIN	10 - 0	0:00

Results

Pos	Name
1	Nikita JEGOROV, Buffen-Do
2	Saad DIKAJEV, Audentes SK
3	Jegor ZAITSEV, Buffen-Do
4	Oskar MÄRTIN, Mikata
5	Alexander KORNIENKO, Kibuvits
6	Andry AAVAST, Barra

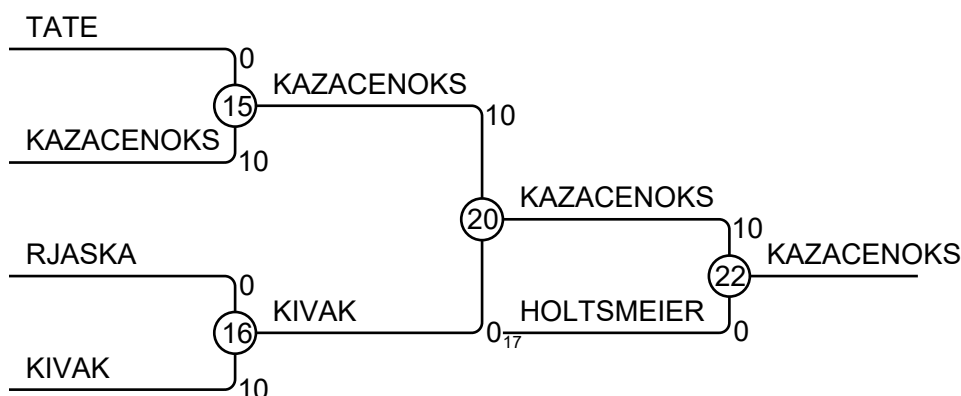
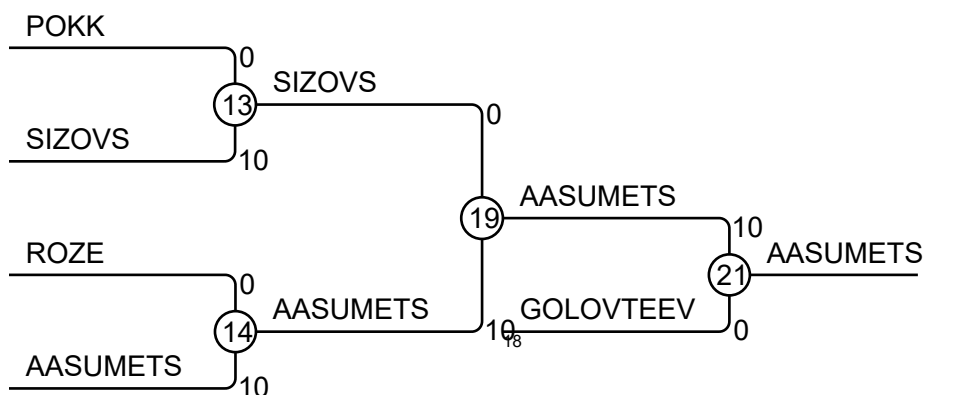
XXIII Elva Open Judos 14.01.2017 Elva Gümnaasium CB-38

Competitors: 14



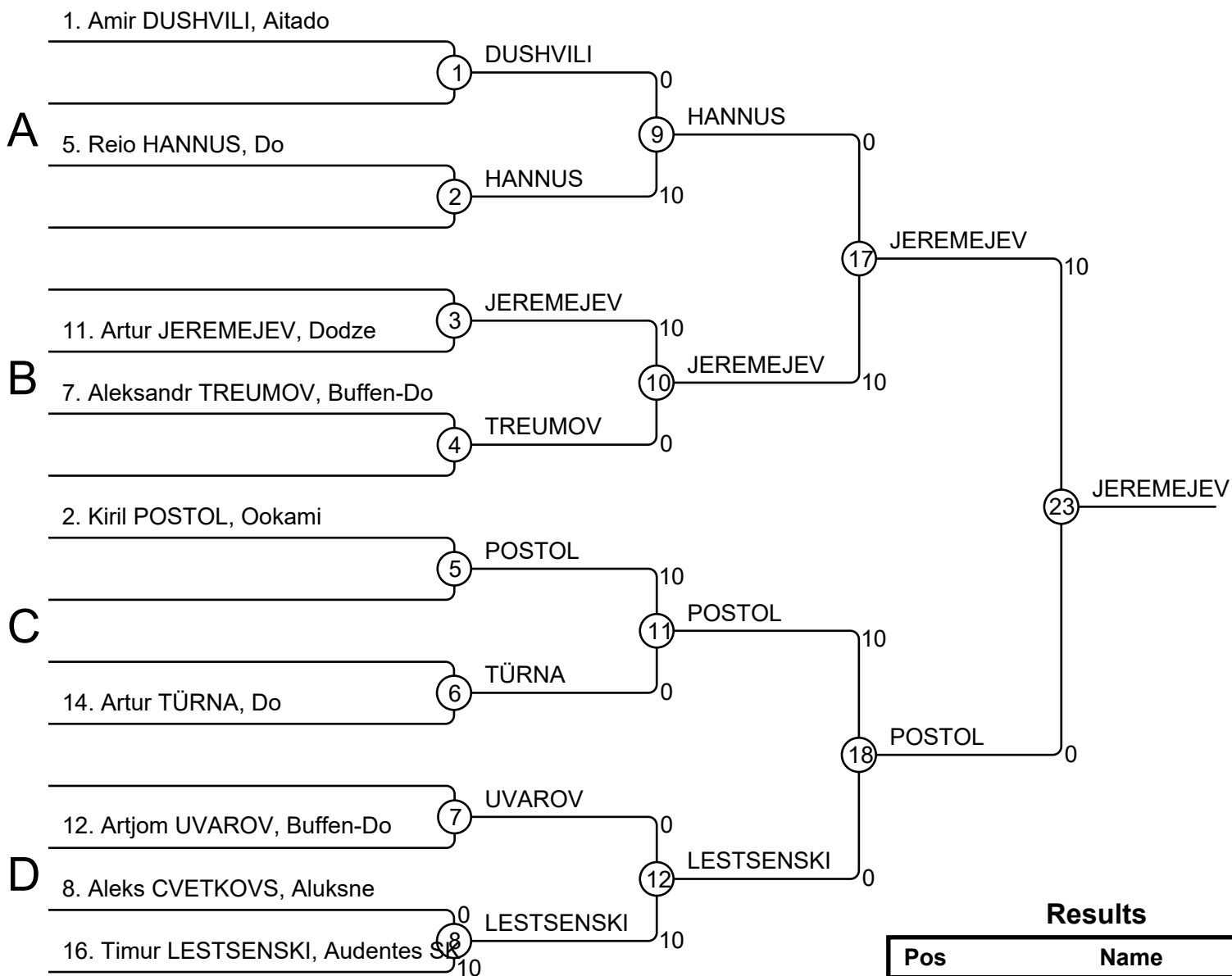
Results

Pos	Name
1	Markus VILLAKO, Do
2	Kaspar GUTMANN, Do
3	Egert-Mattias AASUMETS, Ookami
3	Rolands KAZACENOKS, Aluksne
5	Egor GOLOVTEEV, Ookami
5	Oliver HOLTSMEIER, Do
7	Rihards SIZOVS, Aluksne
7	Rasmus KIVAK, Altia



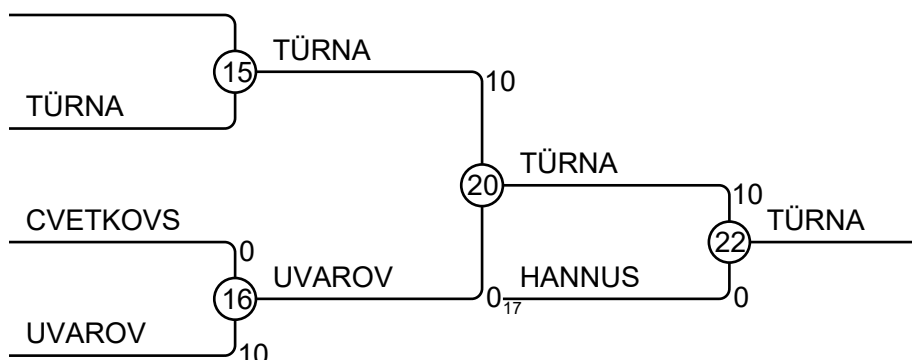
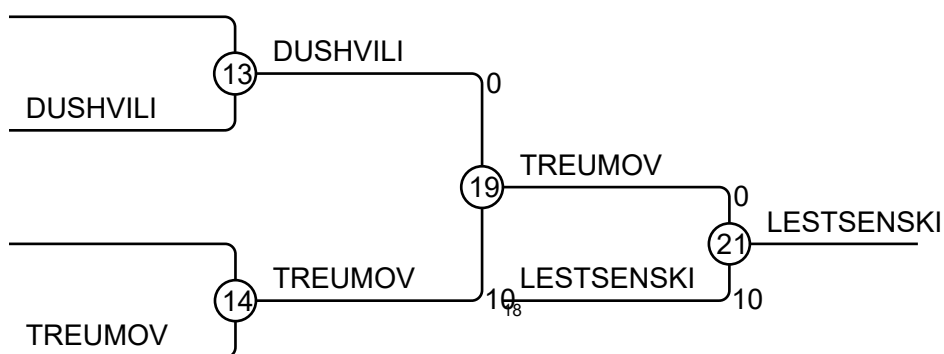
XXIII Elva Open Judos 14.01.2017 Elva Gümnaasium CB-42

Competitors: 9



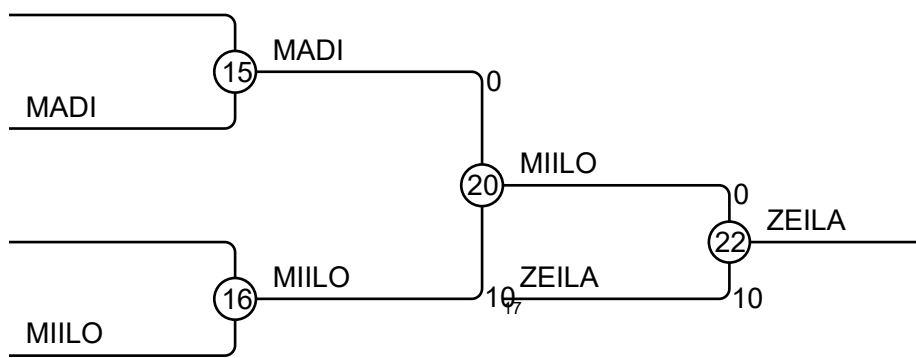
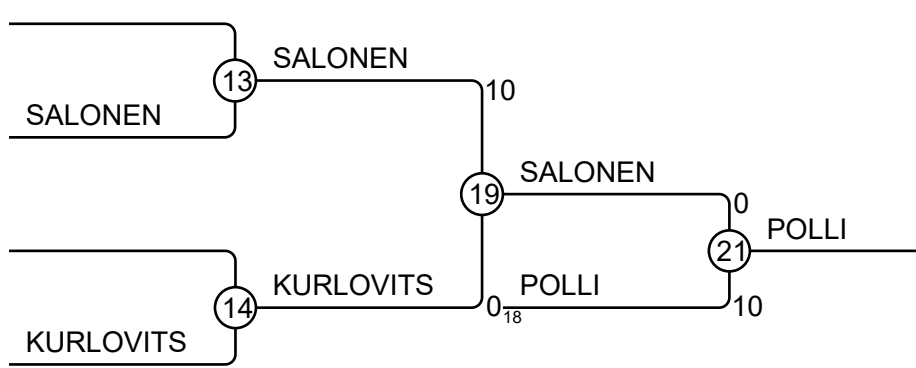
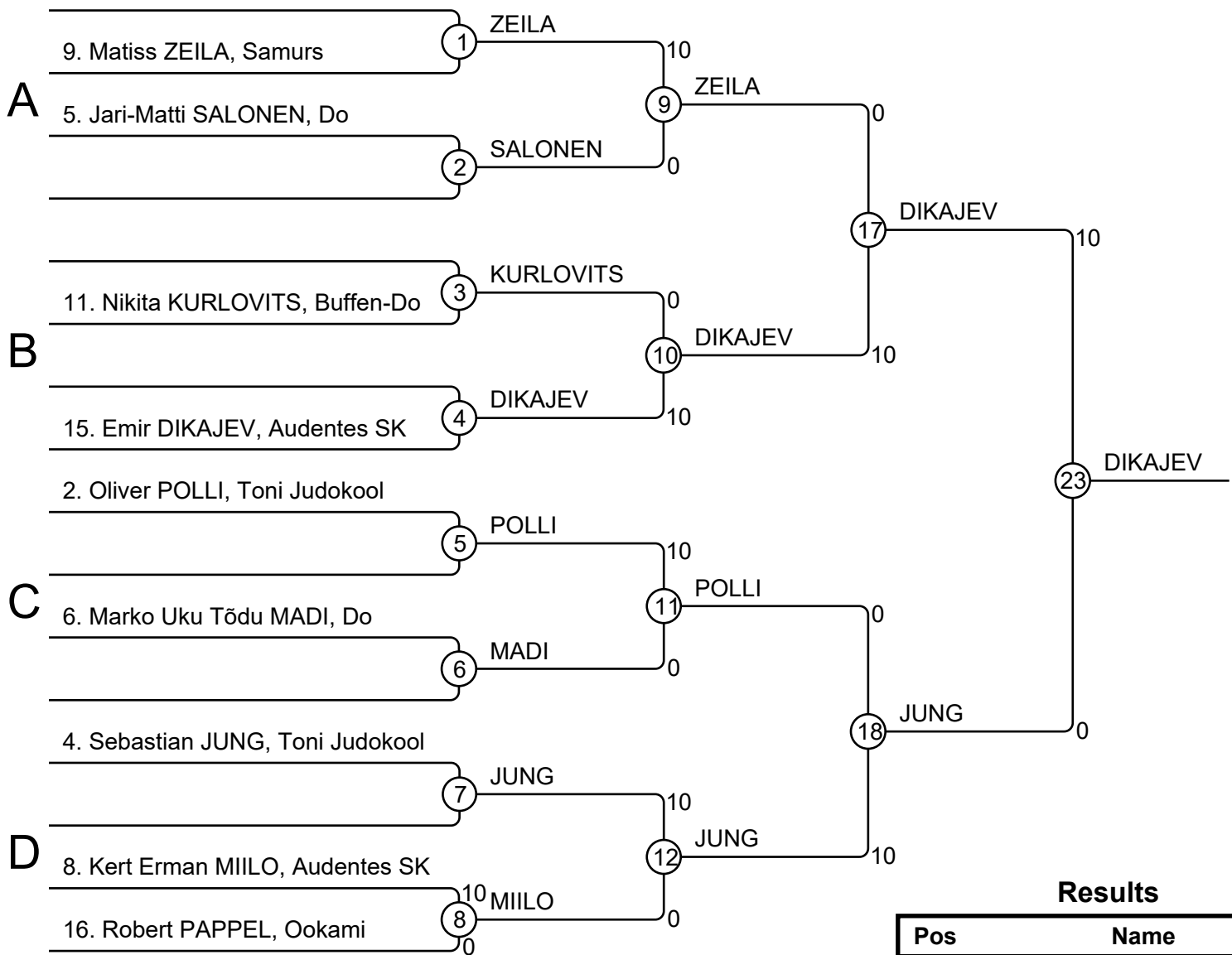
Results

Pos	Name
1	Artur JEREMEJEV, Dodze
2	Kiril POSTOL, Ookami
3	Timur LESTSENSKI, Audentes SK
3	Artur TÜRNA, Do
5	Aleksandr TREUMOV, Buffen-Do
5	Reio HANNUS, Do
7	Amir DUSHVILI, Aitado
7	Artjom UVAROV, Buffen-Do



XXIII Elva Open Judos 14.01.2017 Elva Gümnaasium CB-46

Competitors: 9

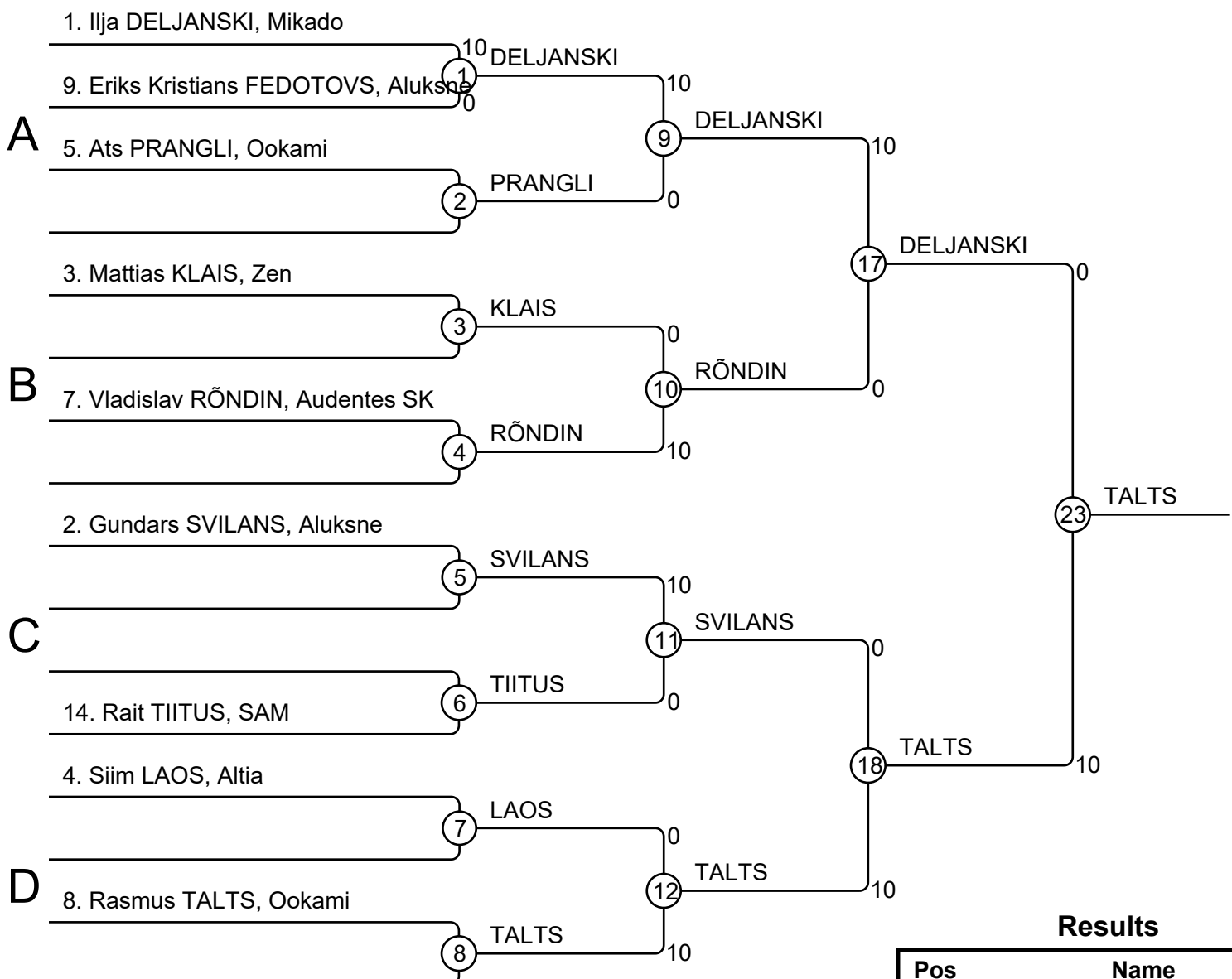


Results

Pos	Name
1	Emir DIKAJEV, Audentes SK
2	Sebastian JUNG, Toni Judokool
3	Oliver POLLI, Toni Judokool
3	Matiss ZEILA, Samurs
5	Jari-Matti SALONEN, Do
5	Kert Erman MIILO, Audentes SK
7	Nikita KURLOVITS, Buffen-Do
7	Marko Uku Tõdu MADI, Do

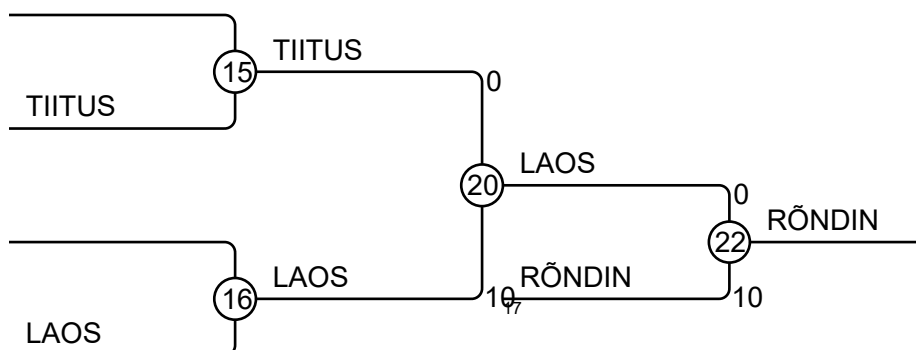
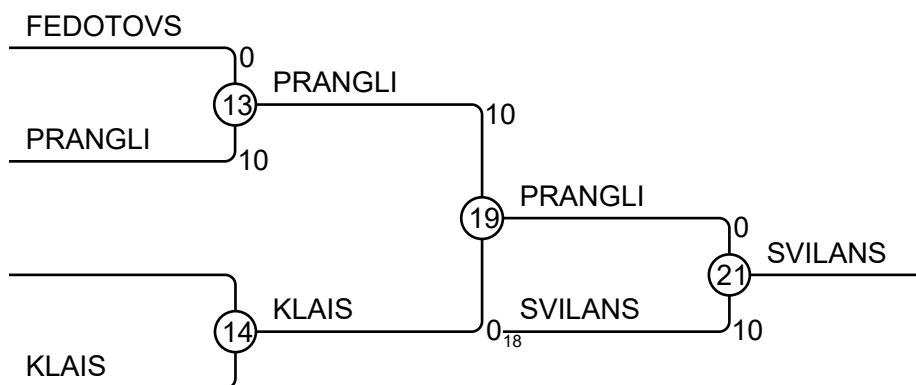
XXIII Elva Open Judos 14.01.2017 Elva Gümnaasium CB-50

Competitors: 9



Results

Pos	Name
1	Rasmus TALTS, Ookami
2	Ilja DELJANSKI, Mikado
3	Gundars SVILANS, Aluksne
3	Vladislav RÕNDIN, Audentes SK
5	Ats PRANGLI, Ookami
5	Siim LAOS, Altia
7	Mattias KLAIS, Zen
7	Rait TIITUS, Samurai



XXIII Elva Open Judos 14.01.2017 Elva Gümnaasium CB-55

Competitors: 6

Competitors A

#	Name	Grade	Club	1	2	3	Wins	Pts	Pos
1	Norberts CERBIKOVS	?	Aluksne		7	10	2	17	1
2	Eduard AVETJAN	?	Audentes SK				0	0	3
3	Marko BORK	?	Aitado		10		1	10	2

Matches A

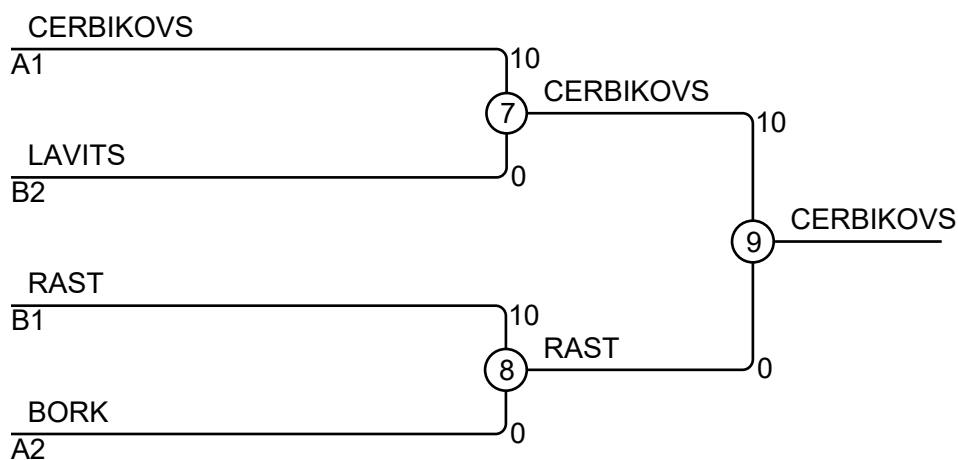
Match	White	Blue	Result	Time
1	Norberts CERBIKOVS 1	Eduard AVETJAN 2	7 - 0	0:00
3	Norberts CERBIKOVS 1	Marko BORK 3	10 - 0	0:00
5	Eduard AVETJAN 2	Marko BORK 3	0 - 10	0:00

Competitors B

#	Name	Grade	Club	4	5	6	Wins	Pts	Pos
4	Silver LAVITS	?	Toni Judokool		10		1	10	2
5	Ako Armin RAID	?	Zen				0	0	3
6	Mattias Timm RAST	?	Altia	10	1		2	11	1

Matches B

Match	White	Blue	Result	Time
2	Silver LAVITS 4	Ako Armin RAID 5	10 - 0	0:00
4	Silver LAVITS 4	Mattias Timm RAST 6	0 - 10	0:00
6	Ako Armin RAID 5	Mattias Timm RAST 6	0 - 1	0:00



Results

Pos	Name
1	Norberts CERBIKOVS, Aluksne
2	Mattias Timm RAST, Altia
3	Silver LAVITS, Toni Judokool
3	Marko BORK, Aitado

XXIII Elva Open Judos 14.01.2017 Elva Gümnaasium CB-70

Competitors: 2

Competitors

#	Name	Grade	Club	1	2	1	2	1	2	Wins	Pts	Pos
1	Kaur Ruben RAGIS	?	Do							0	0	2
2	Konstantin SEMIONOV	?	Dodze	10		10		10		3	30	1

Matches

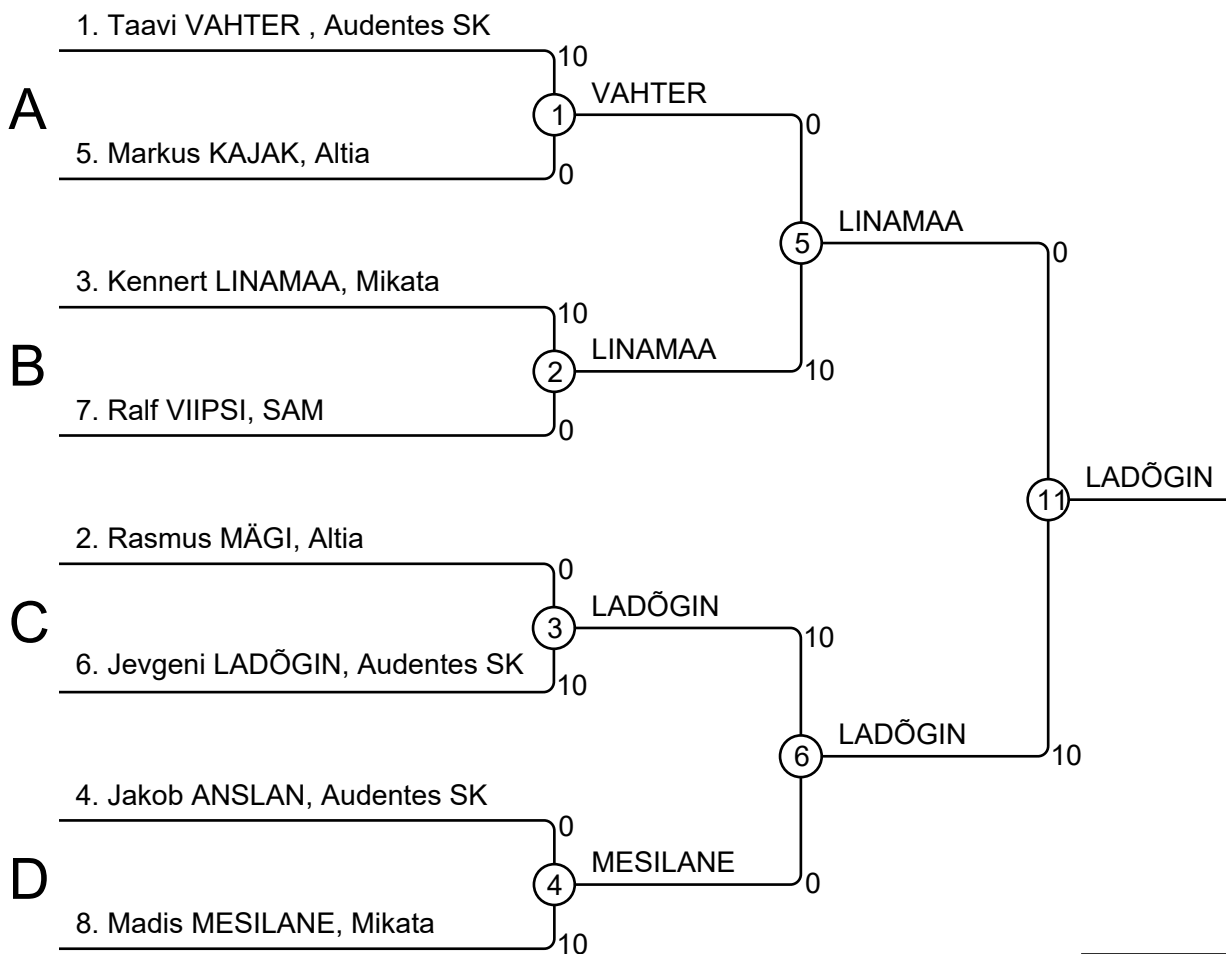
Match	White			Blue	Result	Time
1	Kaur Ruben RAGIS	1	2	Konstantin SEMIONOV	0 - 10	0:00
2	Kaur Ruben RAGIS	1	2	Konstantin SEMIONOV	0 - 10	0:00
3	Kaur Ruben RAGIS	1	2	Konstantin SEMIONOV	0 - 10	0:00

Results

Pos	Name
1	Konstantin SEMIONOV, Dodze
2	Kaur Ruben RAGIS, Do

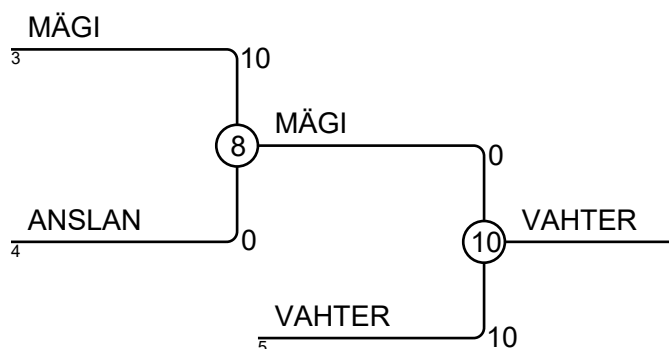
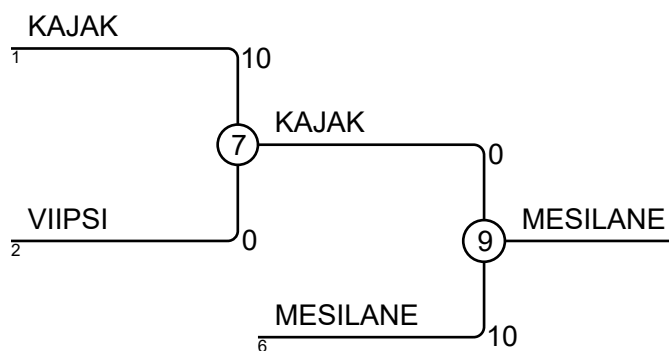
XXIII Elva Open Judos 14.01.2017 Elva Gümnaasium DB+50

Competitors: 8



Results

Pos	Name
1	Jevgeni LADÕGIN, Audentes SK
2	Kennert LINAMAA, Mikata
3	Madis MESILANE, Mikata
3	Taavi VAHTER, Audentes SK
5	Markus KAJAK, Altia
5	Rasmus MÄGI, Altia
7	Ralf VIIPSI, Samurai
7	Jakob ANSLAN, Audentes SK



XXIII Elva Open Judos 14.01.2017 Elva Gümnaasium DB-25

Competitors: 2

Competitors

#	Name	Grade	Club	1	2	1	2	1	2	Wins	Pts	Pos
1	Kermo VARIKMÄGI	?	Do							0	0	2
2	Taaniel RAUD	?	Audentes SK	10		10		10		3	30	1

Matches

Match	White			Blue	Result	Time
1	Kermo VARIKMÄGI	1	2	Taaniel RAUD	0 - 10	0:00
2	Kermo VARIKMÄGI	1	2	Taaniel RAUD	0 - 10	0:00
3	Kermo VARIKMÄGI	1	2	Taaniel RAUD	0 - 10	0:00

Results

Pos	Name
1	Taaniel RAUD, Audentes SK
2	Kermo VARIKMÄGI, Do

XXIII Elva Open Judos 14.01.2017 Elva Gümnaasium DB-27

Competitors: 7

Competitors A

#	Name	Grade	Club	1	2	3	4	Wins	Pts	Pos
1	Simo LAOS	?	Altia		10	10	10	3	30	1
2	Filipp STSEKOTIN	?	Audentes SK			10	10	2	20	2
3	Kristian BACHMANN	?	Ookami				10	1	10	3
4	Ginters Valdis SILINS	?	Aluksne					0	0	4

Matches A

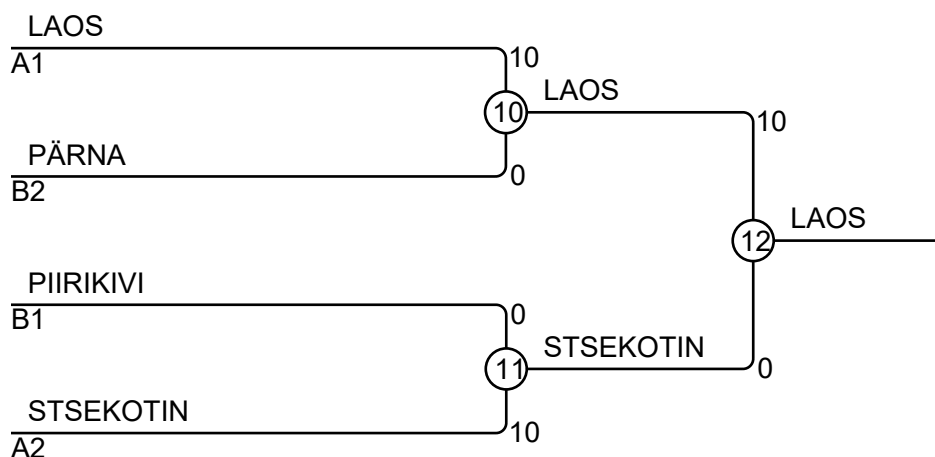
Match	White	Blue	Result	Time
1	Simo LAOS	1 2 Filipp STSEKOTIN	10 - 0	0:00
2	Kristian BACHMANN	3 4 Ginters Valdis SILINS	10 - 0	0:00
4	Simo LAOS	1 3 Kristian BACHMANN	10 - 0	0:00
5	Filipp STSEKOTIN	2 4 Ginters Valdis SILINS	10 - 0	0:00
7	Simo LAOS	1 4 Ginters Valdis SILINS	10 - 0	0:00
8	Filipp STSEKOTIN	2 3 Kristian BACHMANN	10 - 0	0:00

Competitors B

#	Name	Grade	Club	5	6	7	Wins	Pts	Pos
5	Kristjan KEPS	?	Altia				0	0	3
6	Kerdo PÄRNA	?	Do	10			1	10	2
7	Andris PIIRIKIVI	?	Zen	10	10		2	20	1

Matches B

Match	White	Blue	Result	Time
3	Kristjan KEPS	5 6 Kerdo PÄRNA	0 - 10	0:00
6	Kristjan KEPS	5 7 Andris PIIRIKIVI	0 - 10	0:00
9	Kerdo PÄRNA	6 7 Andris PIIRIKIVI	0 - 10	0:00

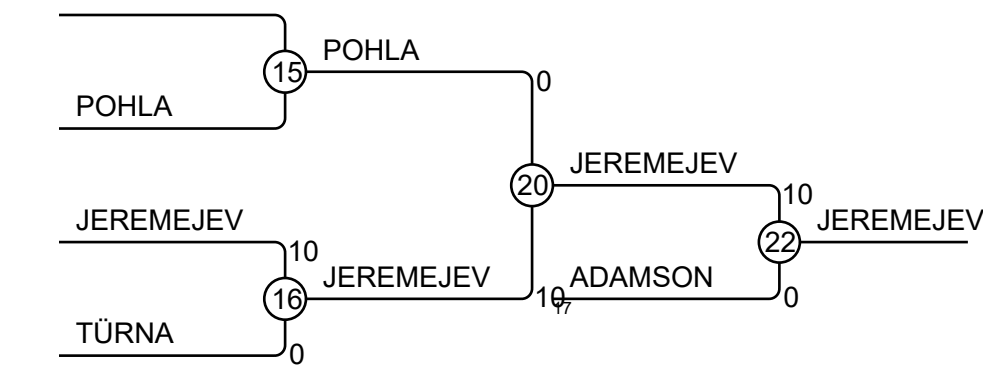
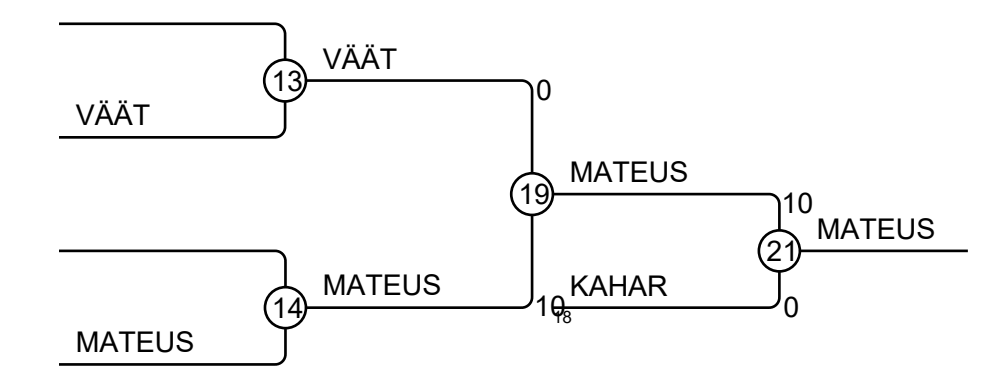
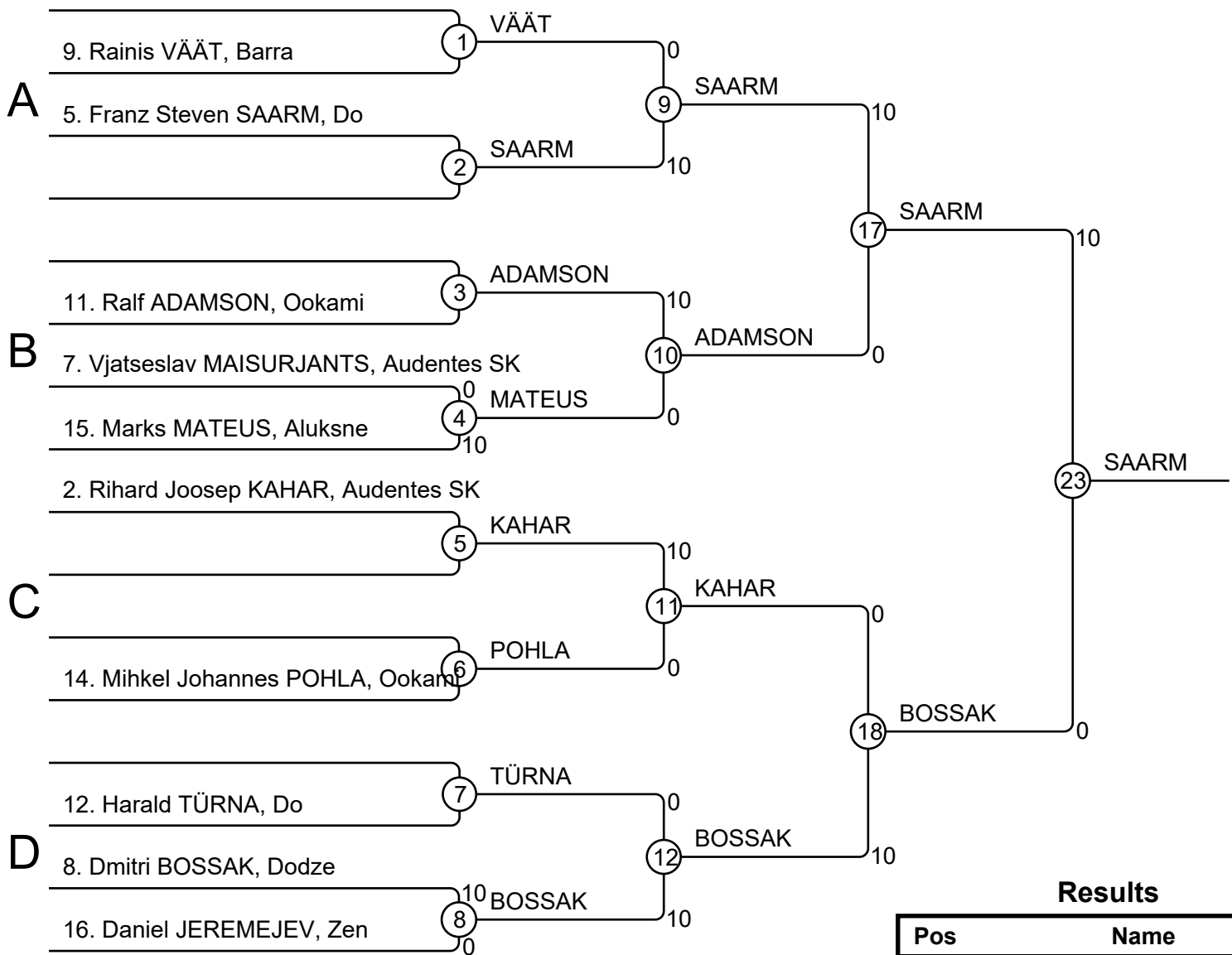


Results

Pos	Name
1	Simo LAOS, Altia
2	Filipp STSEKOTIN, Audentes SK
3	Kerdo PÄRNA, Do
3	Andris PIIRIKIVI, Zen

XXIII Elva Open Judos 14.01.2017 Elva Gümnaasium DB-30

Competitors: 10

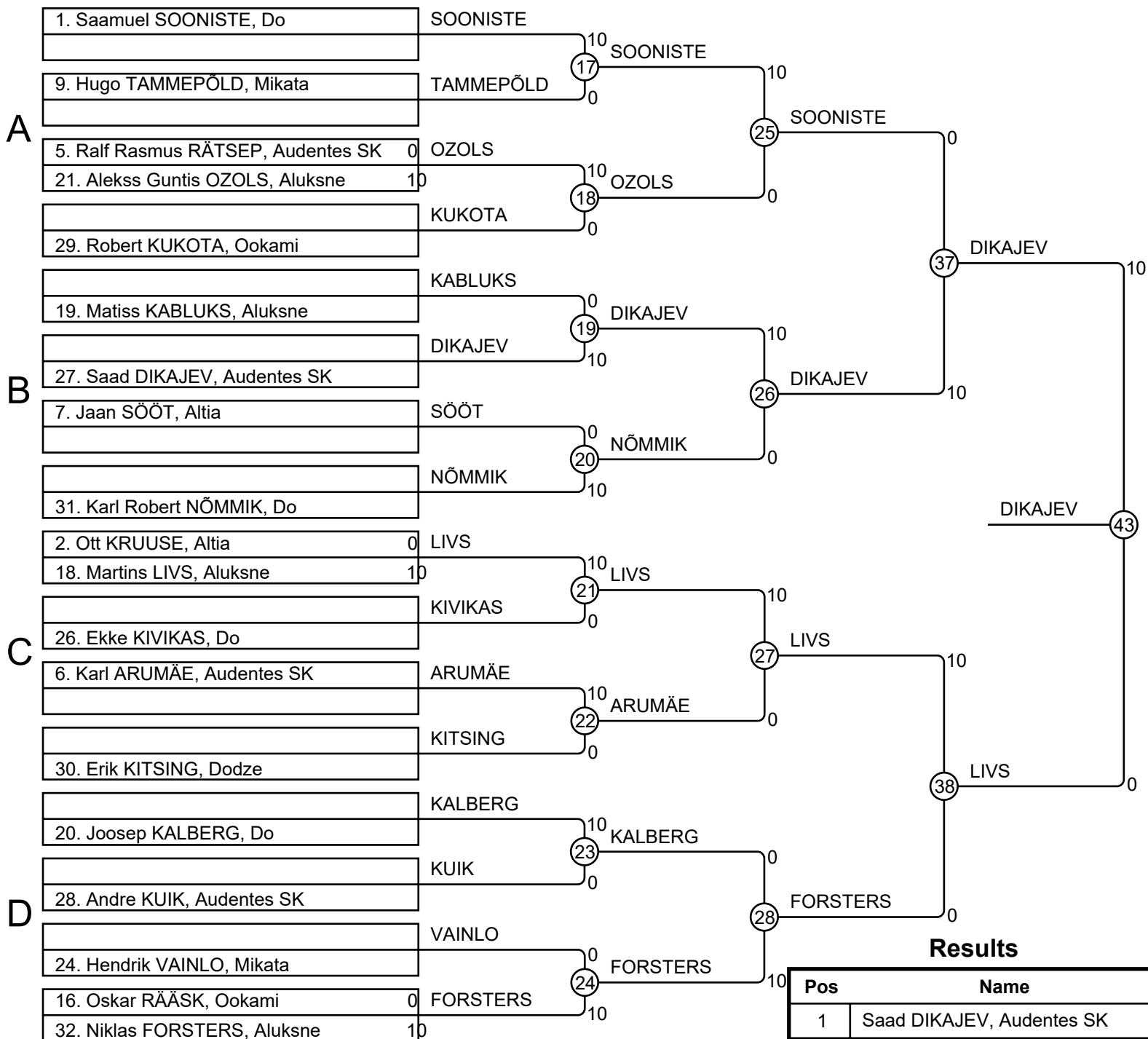


Results

Pos	Name
1	Franz Steven SAARM, Do
2	Dmitri BOSSAK, Dodze
3	Marks MATEUS, Aluksne
3	Daniel JEREMEJEV, Zen
5	Rihard Joosep KAHAR, Audentes SK
5	Ralf ADAMSON, Ookami
7	Rainis VÄÄT, Barra
7	Mihkel Johannes POHLA, Ookami

XXIII Elva Open Judos 14.01.2017 Elva Gümnaasium DB-34

Competitors: 19

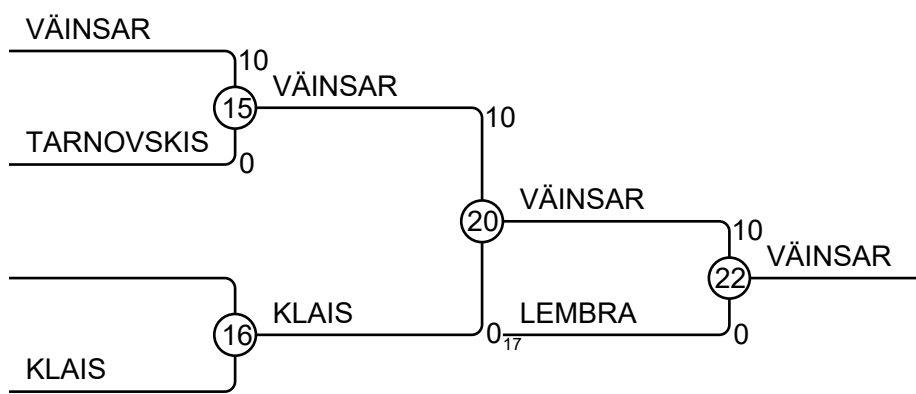
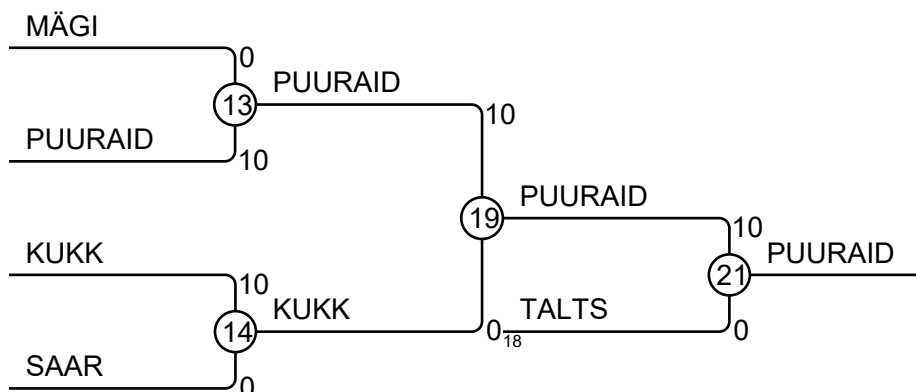
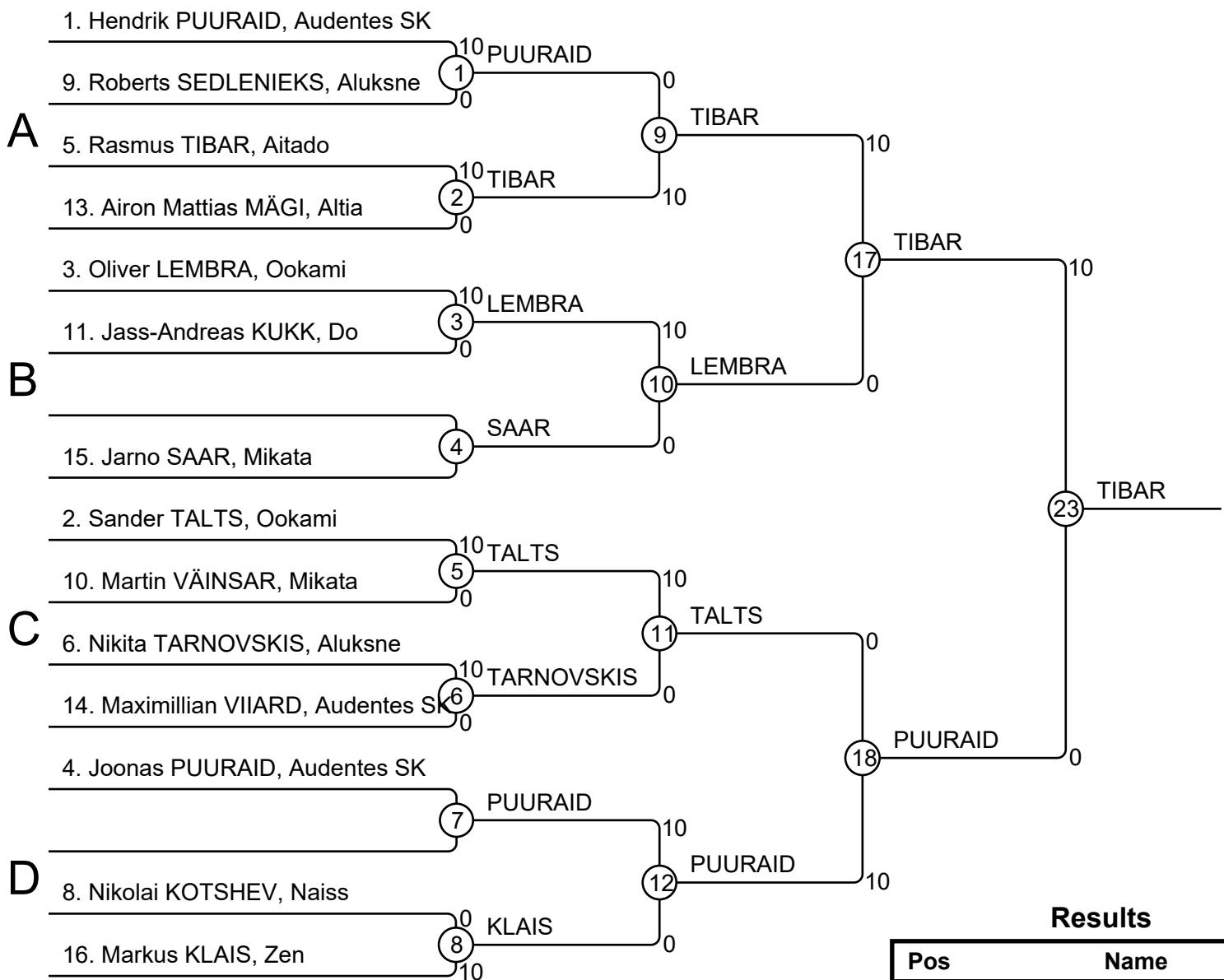


Results

Pos	Name
1	Saad DIKAJEV, Audentes SK
2	Martins LIVS, Aluksne
3	Alekss Guntis OZOLS, Aluksne
3	Saamuel SOONISTE, Do
5	Niklas FORSTERS, Aluksne
5	Ekke KIVIKAS, Do
7	Karl Robert NÕMMIK, Do
7	Hendrik VAINLO, Mikata

XXIII Elva Open Judos 14.01.2017 Elva Gümnaasium DB-38

Competitors: 14

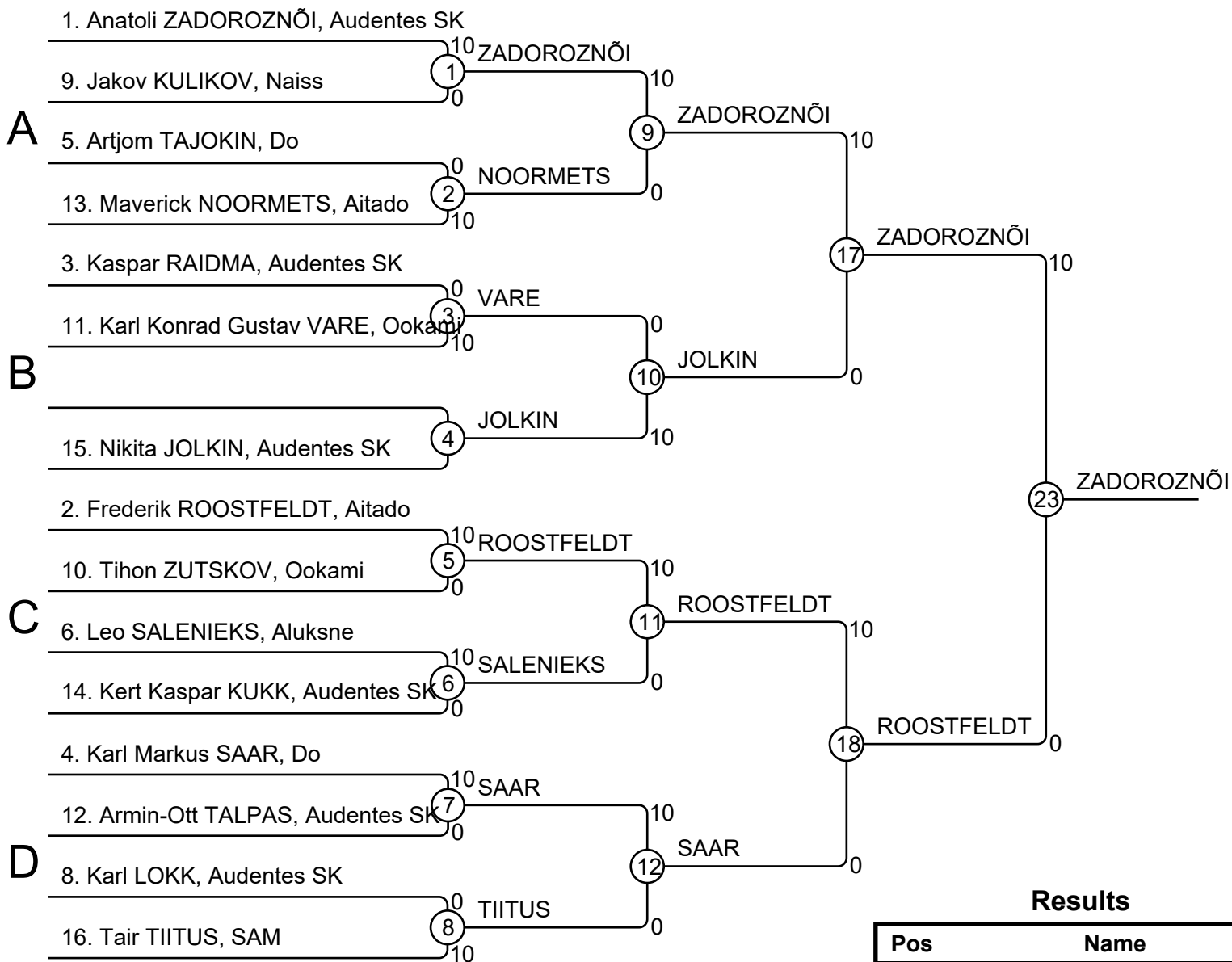


Results

Pos	Name
1	Rasmus TIBAR, Aitado
2	Joonas PUURAIID, Audentes SK
3	Hendrik PUURAIID, Audentes SK
3	Martin VÄINSAR, Mikata
5	Sander TALTS, Ookami
5	Oliver LEMBRA, Ookami
7	Jass-Andreas KUKK, Do
7	Markus KLAIS, Zen

XXIII Elva Open Judos 14.01.2017 Elva Gümnaasium DB-42

Competitors: 15



Results

Pos	Name
1	Anatoli ZADOROZNÕI, Audentes SK
2	Frederik ROOSTFELDT, Aitado
3	Karl Markus SAAR, Do
3	Nikita JOLKIN, Audentes SK
5	Karl Konrad Gustav VARE, Ookami
5	Tair TIITUS, Samurai
7	Maverick NOORMETS, Aitado
7	Tihon ZUTSKOV, Ookami

XXIII Elva Open Judos 14.01.2017 Elva Gümnaasium DB-46

Competitors: 6

Competitors

#	Name	Grade	Club	1	2	3	4	5	6	Wins	Pts	Pos
1	Rico SMIT	?	Rei			10	10			2	20	4
2	Tõnis DOMBERG	?	Audentes SK	10		10	7			3	27	3
3	Lasha-Georgi NOZADZE	?	Dodze				10	10		2	20	5
4	Jardo NÕMM	?	Mikata							0	0	6
5	Artjom BELJAKOV	?	Ookami	7	10		10			3	27	2
6	Mihhail VORONOV	?	Dvigatel	7	7	10	10	1		5	35	1

Matches

Match	White		Blue		Result	Time
1	Rico SMIT	1	2	Tõnis DOMBERG	0 - 10	0:00
2	Lasha-Georgi NOZADZE	3	5	Artjom BELJAKOV	10 - 0	0:00
3	Tõnis DOMBERG	2	4	Jardo NÕMM	7 - 0	0:00
4	Rico SMIT	1	6	Mihhail VORONOV	0 - 7	0:00
5	Jardo NÕMM	4	5	Artjom BELJAKOV	0 - 10	0:00
6	Tõnis DOMBERG	2	3	Lasha-Georgi NOZADZE	10 - 0	0:00
7	Jardo NÕMM	4	6	Mihhail VORONOV	0 - 10	0:00
8	Tõnis DOMBERG	2	5	Artjom BELJAKOV	0 - 10	0:00
9	Lasha-Georgi NOZADZE	3	4	Jardo NÕMM	10 - 0	0:00
10	Rico SMIT	1	5	Artjom BELJAKOV	0 - 7	0:00
11	Lasha-Georgi NOZADZE	3	6	Mihhail VORONOV	0 - 10	0:00
12	Rico SMIT	1	4	Jardo NÕMM	10 - 0	0:00
13	Artjom BELJAKOV	5	6	Mihhail VORONOV	0 - 1	0:00
14	Rico SMIT	1	3	Lasha-Georgi NOZADZE	10 - 0	0:00
15	Tõnis DOMBERG	2	6	Mihhail VORONOV	0 - 7	0:00

Results

Pos	Name
1	Mihhail VORONOV, Dvigatel
2	Artjom BELJAKOV, Ookami
3	Tõnis DOMBERG, Audentes SK
4	Rico SMIT, Rei
5	Lasha-Georgi NOZADZE, Dodze
6	Jardo NÕMM, Mikata

XXIII Elva Open Judos 14.01.2017 Elva Gümnaasium EB+38

Competitors: 5

Competitors

#	Name	Grade	Club	1	2	3	4	5	Wins	Pts	Pos
1	Martin TUKA	?	Do		10		10	10	3	30	2
2	Ralf KASK	?	Do				1		1	1	4
3	Marko RANNASTE	6.kyu	Audentes SK	10	10		10	10	4	40	1
4	Keiro BOGDANOV	?	Altia						0	0	5
5	Maximilian HUCK	?	Altia		10		10		2	20	3

Matches

Match	White		Blue		Result	Time
1	Keiro BOGDANOV	4	5	Maximilian HUCK	0 - 10	0:00
2	Martin TUKA	1	2	Ralf KASK	10 - 0	0:00
3	Marko RANNASTE	3	4	Keiro BOGDANOV	10 - 0	0:00
4	Martin TUKA	1	5	Maximilian HUCK	10 - 0	0:00
5	Ralf KASK	2	3	Marko RANNASTE	0 - 10	0:00
6	Martin TUKA	1	4	Keiro BOGDANOV	10 - 0	0:00
7	Marko RANNASTE	3	5	Maximilian HUCK	10 - 0	0:00
8	Ralf KASK	2	4	Keiro BOGDANOV	1 - 0	0:00
9	Martin TUKA	1	3	Marko RANNASTE	0 - 10	0:00
10	Ralf KASK	2	5	Maximilian HUCK	0 - 10	0:00

Results

Pos	Name
1	Marko RANNASTE, Audentes SK
2	Martin TUKA, Do
3	Maximilian HUCK, Altia
4	Ralf KASK, Do
5	Keiro BOGDANOV, Altia

XXIII Elva Open Judos 14.01.2017 Elva Gümnaasium EB-23

Competitors: 2

Competitors

#	Name	Grade	Club	1	2	1	2	1	2	Wins	Pts	Pos
1	Markus SOE	?	Rei		10		10		10	3	30	1
2	Artemi JEREMEJEV	?	Dodze							0	0	2

Matches

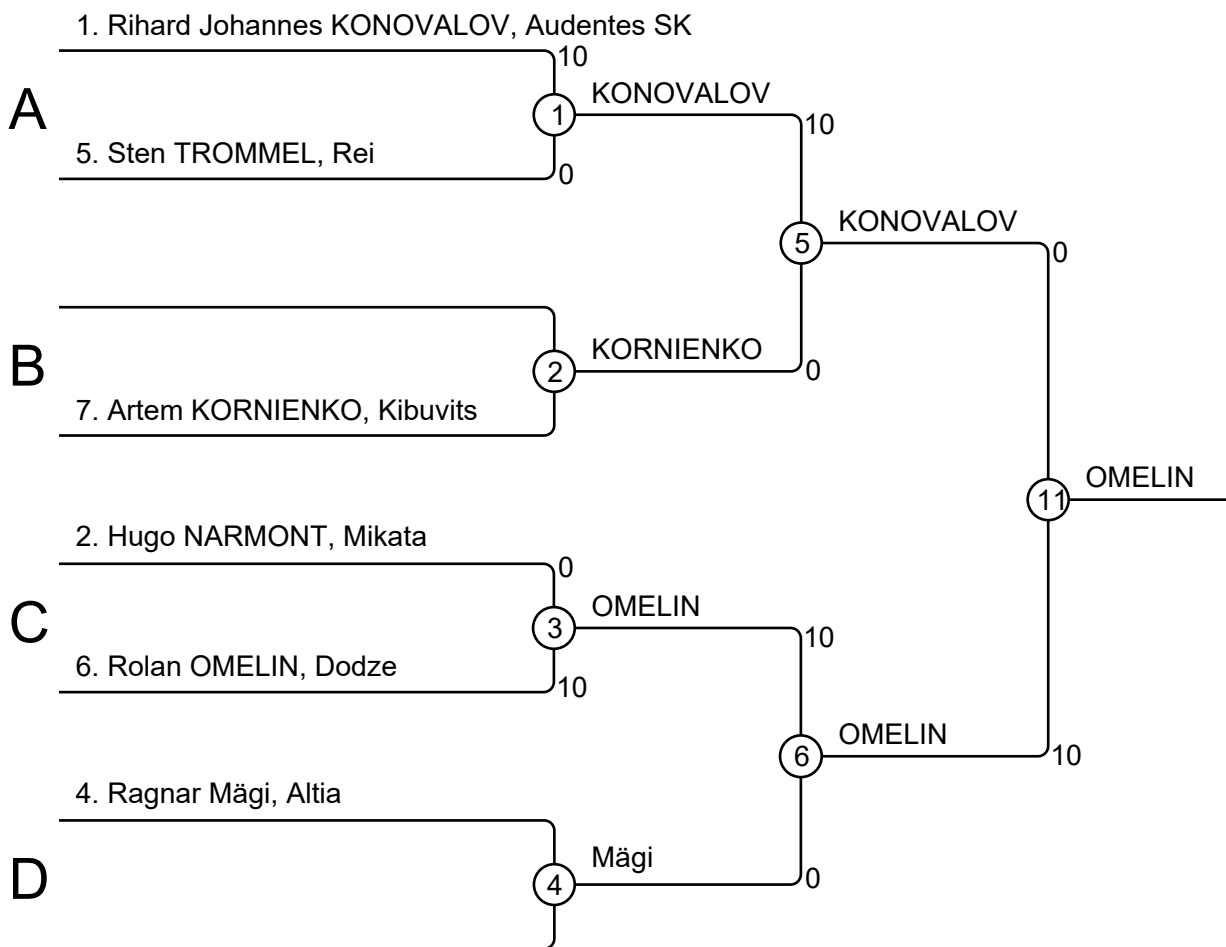
Match	White			Blue	Result	Time
1	Markus SOE	1	2	Artemi JEREMEJEV	10 - 0	0:00
2	Markus SOE	1	2	Artemi JEREMEJEV	10 - 0	0:00
3	Markus SOE	1	2	Artemi JEREMEJEV	10 - 0	0:00

Results

Pos	Name
1	Markus SOE, Rei
2	Artemi JEREMEJEV, Dodze

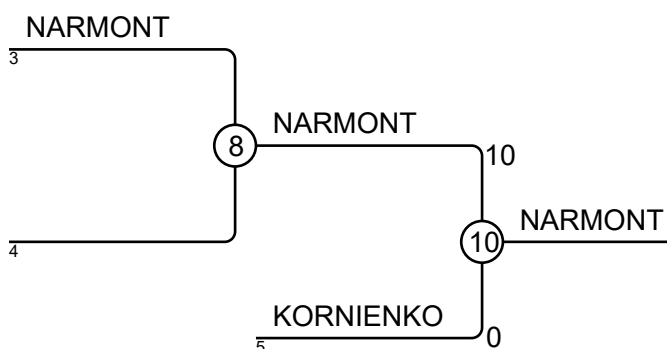
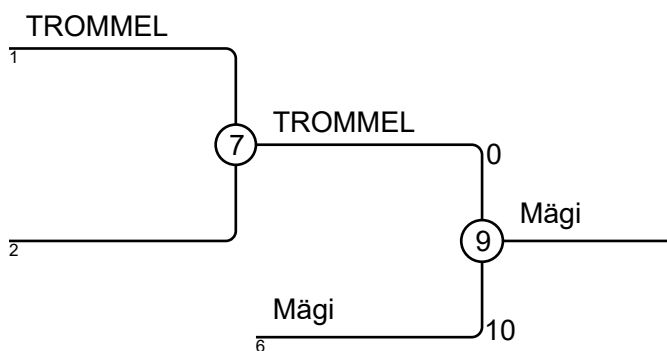
XXIII Elva Open Judos 14.01.2017 Elva Gümnaasium EB-25

Competitors: 6



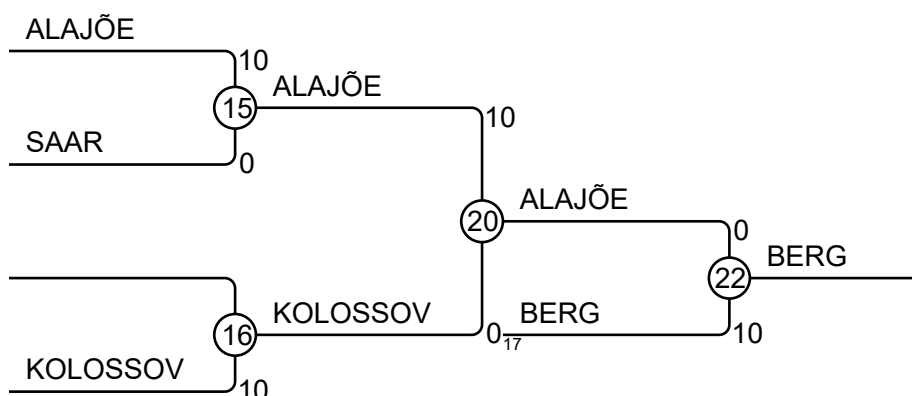
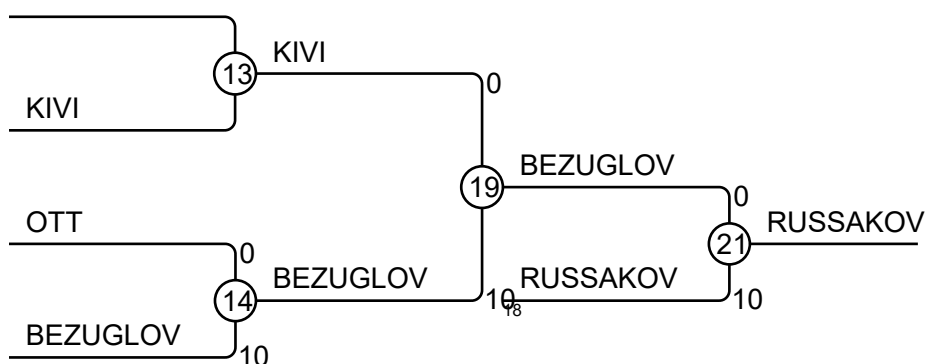
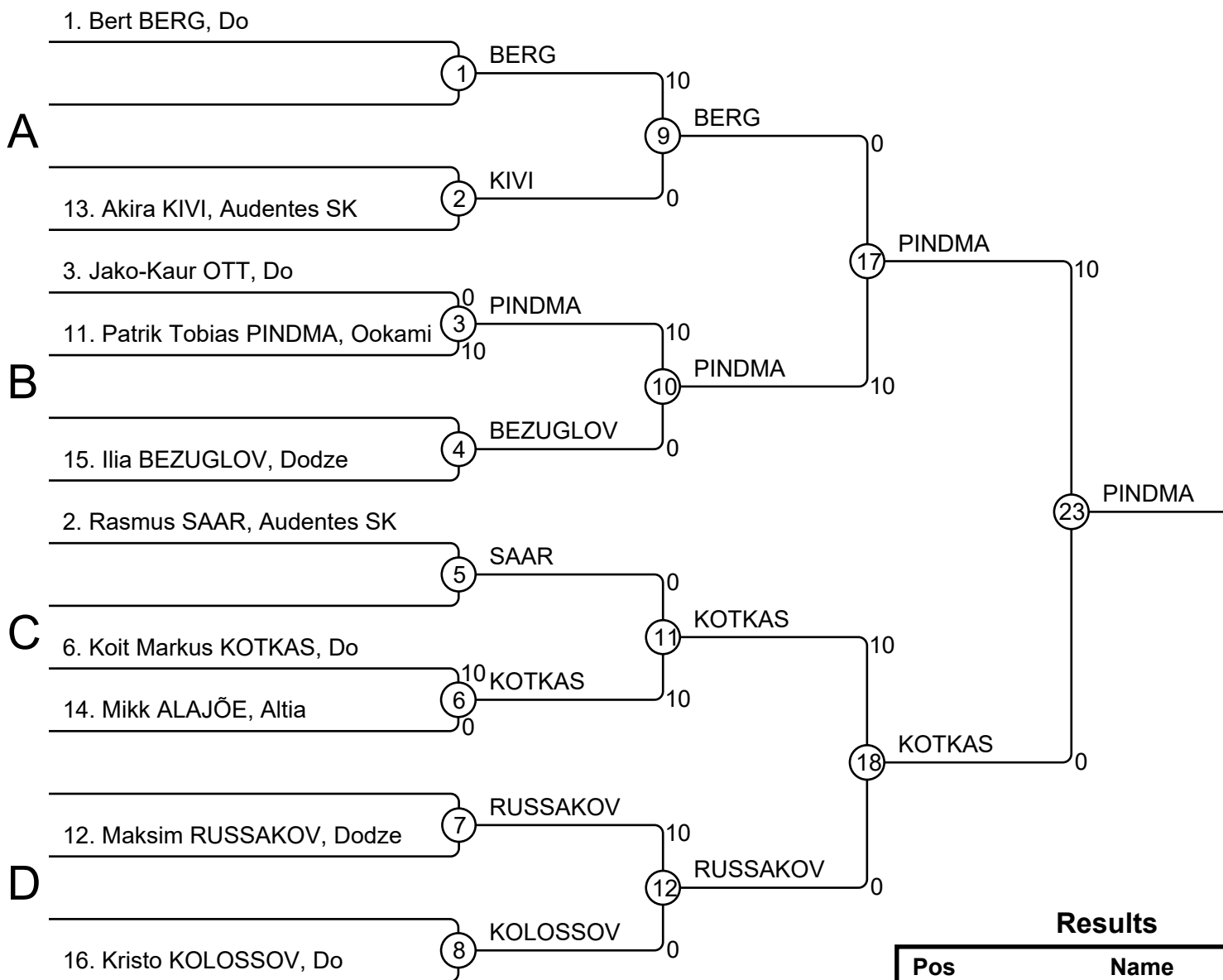
Results

Pos	Name
1	Rolan OMELIN, Dodze
2	Rihard Johannes KONOVALOV, Audentes SK
3	Ragnar Mägi, Altia
3	Hugo NARMONT, Mikata
5	Sten TROMMEL, Rei
5	Artem KORNIENKO, Kibuvits
7	
7	



XXIII Elva Open Judos 14.01.2017 Elva Gümnaasium EB-27

Competitors: 10

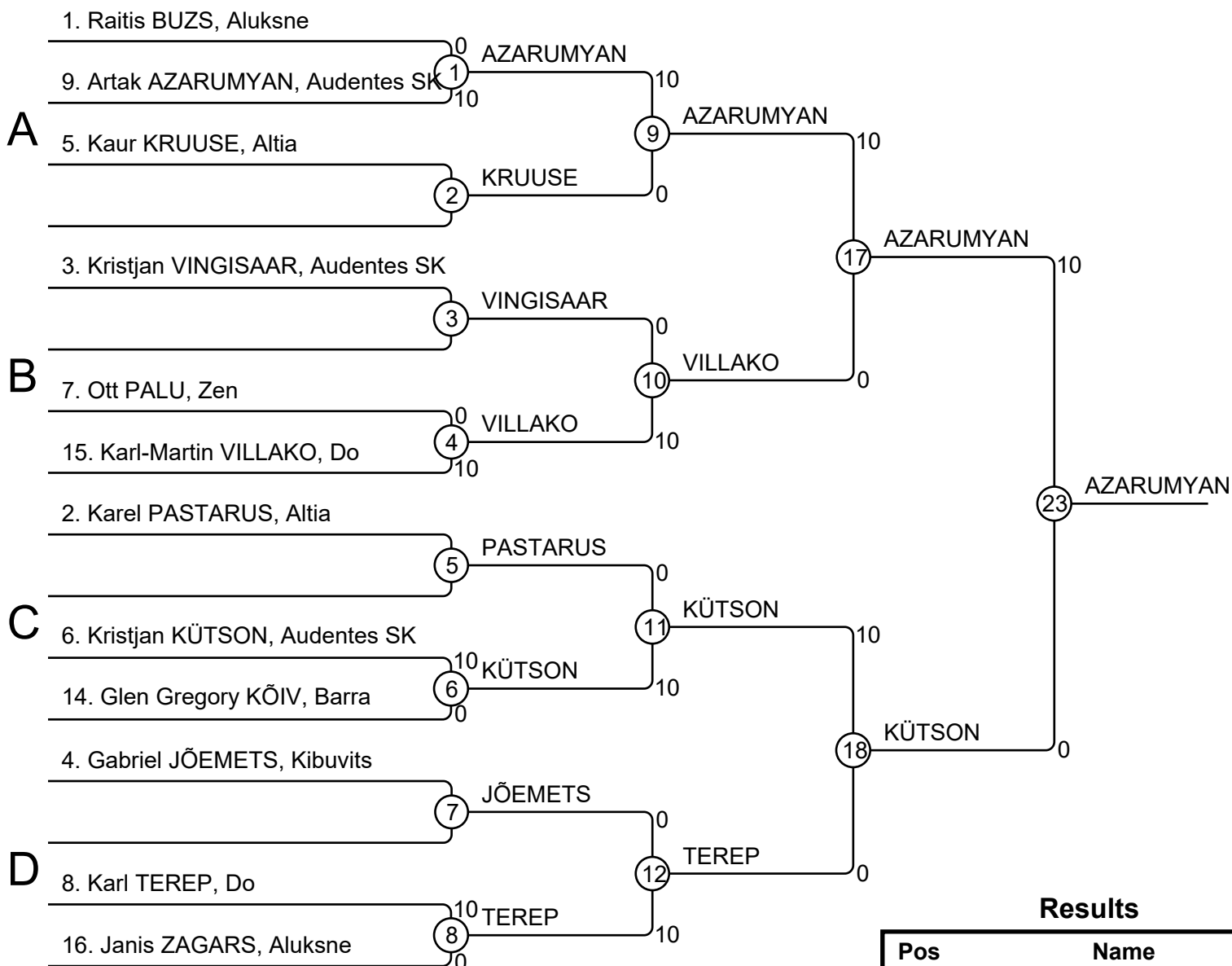


Results

Pos	Name
1	Patrik Tobias PINDMA, Ookami
2	Koit Markus KOTKAS, Do
3	Maksim RUSSAKOV, Dodze
3	Bert BERG, Do
5	Ilia BEZUGLOV, Dodze
5	Mikk ALAJÕE, Altia
7	Akira KIVI, Audentes SK
7	Kristo KOLOSSOV, Do

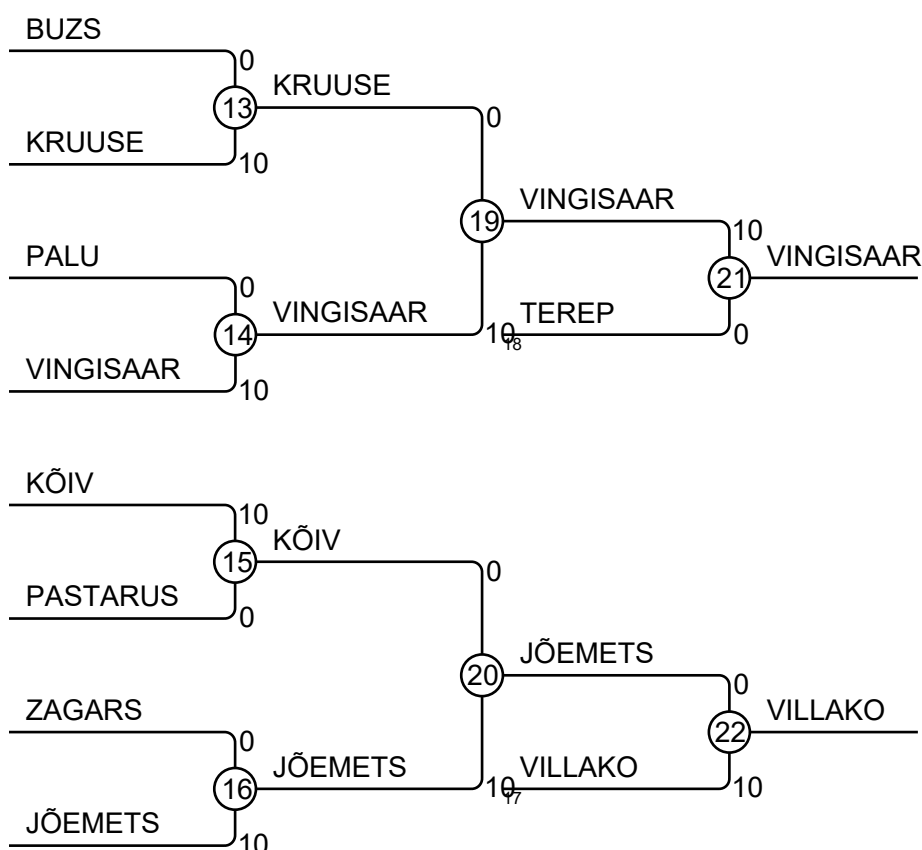
XXIII Elva Open Judos 14.01.2017 Elva Gümnaasium EB-30

Competitors: 12



Results

Pos	Name
1	Artak AZARUMYAN, Audentes SK
2	Kristjan KÜTSON, Audentes SK
3	Kristjan VINGISAAR, Audentes SK
3	Karl-Martin VILLAKO, Do
5	Karl TEREP, Do
5	Gabriel JÕEMETS, Kibuvits
7	Kaur KRUUSE, Altia
7	Glen Gregory KÕIV, Barra



XXIII Elva Open Judos 14.01.2017 Elva Gümnaasium EB-34

Competitors: 5

Competitors

#	Name	Grade	Club	1	2	3	4	5	Wins	Pts	Pos
1	Deiro SARAPSON	?	Altia						0	0	5
2	Andreis PABERZIS	?	Samurs	10		10	10	10	4	40	1
3	Roberts CIBALS	?	Aluksne	10					1	10	4
4	Artjom SAVELEV	?	Dodze	10		10			2	20	3
5	Ken Marten SAAR	?	Do	10		10	7		3	27	2

Matches

Match	White		Blue		Result	Time
1	Artjom SAVELEV	4 5	Ken Marten SAAR		0 - 7	0:00
2	Deiro SARAPSON	1 2	Andreis PABERZIS		0 - 10	0:00
3	Roberts CIBALS	3 4	Artjom SAVELEV		0 - 10	0:00
4	Deiro SARAPSON	1 5	Ken Marten SAAR		0 - 10	0:00
5	Andreis PABERZIS	2 3	Roberts CIBALS		10 - 0	0:00
6	Deiro SARAPSON	1 4	Artjom SAVELEV		0 - 10	0:00
7	Roberts CIBALS	3 5	Ken Marten SAAR		0 - 10	0:00
8	Andreis PABERZIS	2 4	Artjom SAVELEV		10 - 0	0:00
9	Deiro SARAPSON	1 3	Roberts CIBALS		0 - 10	0:00
10	Andreis PABERZIS	2 5	Ken Marten SAAR		10 - 0	0:00

Results

Pos	Name
1	Andreis PABERZIS, Samurs
2	Ken Marten SAAR, Do
3	Artjom SAVELEV, Dodze
4	Roberts CIBALS, Aluksne
5	Deiro SARAPSON, Altia

XXIII Elva Open Judos 14.01.2017 Elva Gümnaasium EB-38

Competitors: 4

Competitors

#	Name	Grade	Club	1	2	3	4	Wins	Pts	Pos
1	Aksel TÜKSAMMEL	?	Aitado					0	0	4
2	Anri NEEVE	?	Rei	10		7	10	3	27	1
3	Rainers VALINTELIS	?	Rigas Judo Skol	10			10	2	20	2
4	Gustav KÕRVITS	?	Audentes SK	10				1	10	3

Matches

Match	White		Blue		Result	Time
1	Aksel TÜKSAMMEL	1	2	Anri NEEVE	0 - 10	0:00
2	Rainers VALINTELIS	3	4	Gustav KÕRVITS	10 - 0	0:00
3	Aksel TÜKSAMMEL	1	3	Rainers VALINTELIS	0 - 10	0:00
4	Anri NEEVE	2	4	Gustav KÕRVITS	10 - 0	0:00
5	Aksel TÜKSAMMEL	1	4	Gustav KÕRVITS	0 - 10	0:00
6	Anri NEEVE	2	3	Rainers VALINTELIS	7 - 0	0:00

Results

Pos	Name
1	Anri NEEVE, Rei
2	Rainers VALINTELIS, Rigas Judo Skol
3	Gustav KÕRVITS, Audentes SK
4	Aksel TÜKSAMMEL, Aitado

XXIII Elva Open Judos 14.01.2017 Elva Gümnaasium EG-28

Competitors: 3

Competitors

#	Name	Grade	Club	1	2	3	Wins	Pts	Pos
1	Emma Karoliina KONNAPERE	?	Audentes SK		10	10	2	20	1
2	Kertu KIKKA	?	Do			10	1	10	2
3	Mai Mirtel UMBLIA	?	Altia				0	0	3

Matches

Match	White			Blue	Result	Time
1	Emma Karoliina KONNAPERE	1	2	Kertu KIKKA	10 - 0	0:00
2	Emma Karoliina KONNAPERE	1	3	Mai Mirtel UMBLIA	10 - 0	0:00
3	Kertu KIKKA	2	3	Mai Mirtel UMBLIA	10 - 0	0:00

Results

Pos	Name
1	Emma Karoliina KONNAPERE, Audentes SK
2	Kertu KIKKA, Do
3	Mai Mirtel UMBLIA, Altia

XXIII Elva Open Judos 14.01.2017 Elva Gümnaasium DG-33

Competitors: 3

Competitors

#	Name	Grade	Club	1	2	3	Wins	Pts	Pos
1	Gajane MESROPJAN	?	Audentes SK		10	10	2	20	1
2	Lisette ILVES	?	Do			10	1	10	2
3	Aleksandra APSOLON	?	Dodze				0	0	3

Matches

Match	White			Blue	Result	Time
1	Gajane MESROPJAN	1	2	Lisette ILVES	10 - 0	0:00
2	Gajane MESROPJAN	1	3	Aleksandra APSOLON	10 - 0	0:00
3	Lisette ILVES	2	3	Aleksandra APSOLON	10 - 0	0:00

Results

Pos	Name
1	Gajane MESROPJAN, Audentes SK
2	Lisette ILVES, Do
3	Aleksandra APSOLON, Dodze

XXIII Elva Open Judos 14.01.2017 Elva Gümnaasium DG+42

Competitors: 3

Competitors

#	Name	Grade	Club	1	2	3	Wins	Pts	Pos
1	Kristiina LEPPIK	?	Zen				0	0	3
2	Emma-Melis AKTAS	?	Altia	10			1	10	2
3	Jekaterina BRJAKINA	?	Audentes SK	10	10		2	20	1

Matches

Match	White			Blue	Result	Time
1	Kristiina LEPPIK	1	2	Emma-Melis AKTAS	0 - 10	0:00
2	Kristiina LEPPIK	1	3	Jekaterina BRJAKINA	0 - 10	0:00
3	Emma-Melis AKTAS	2	3	Jekaterina BRJAKINA	0 - 10	0:00

Results

Pos	Name
1	Jekaterina BRJAKINA, Audentes SK
2	Emma-Melis AKTAS, Altia
3	Kristiina LEPPIK, Zen

XXIII Elva Open Judos 14.01.2017 Elva Gümnaasium CB-62

Competitors: 3

Competitors

#	Name	Grade	Club	1	2	3	Wins	Pts	Pos
1	Jevgeni LADÕGIN	?	Audentes SK				0	0	3
2	Jasper SUURSILD	?	Aitado	10			1	10	2
3	Karl Johannes PILT	?	Do	10	10		2	20	1

Matches

Match	White		Blue	Result	Time
1	Jevgeni LADÕGIN	1 2	Jasper SUURSILD	0 - 10	0:00
2	Jevgeni LADÕGIN	1 3	Karl Johannes PILT	0 - 10	0:00
3	Jasper SUURSILD	2 3	Karl Johannes PILT	0 - 10	0:00

Results

Pos	Name
1	Karl Johannes PILT, Do
2	Jasper SUURSILD, Aitado
3	Jevgeni LADÕGIN, Audentes SK

XXIII Elva Open Judos 14.01.2017 Elva Gümnaasium DG-42

Competitors: 4

Competitors

#	Name	Grade	Club	1	2	3	4	Wins	Pts	Pos
1	Julija KUZNECOVA	?	Aluksne		10	10	10	3	30	1
2	Beata DUBOVA	?	Aluksne			10		1	10	3
3	Lisete OOL	?	Zen					0	0	4
4	Nora KIVIMÄGI	?	Aitado		10	10		2	20	2

Matches

Match	White			Blue	Result	Time
1	Julija KUZNECOVA	1	2	Beata DUBOVA	10 - 0	0:00
2	Lisete OOL	3	4	Nora KIVIMÄGI	0 - 10	0:00
3	Julija KUZNECOVA	1	3	Lisete OOL	10 - 0	0:00
4	Beata DUBOVA	2	4	Nora KIVIMÄGI	0 - 10	0:00
5	Julija KUZNECOVA	1	4	Nora KIVIMÄGI	10 - 0	0:00
6	Beata DUBOVA	2	3	Lisete OOL	10 - 0	0:00

Results

Pos	Name
1	Julija KUZNECOVA, Aluksne
2	Nora KIVIMÄGI, Aitado
3	Beata DUBOVA, Aluksne
4	Lisete OOL, Zen