

Aitado meeskondlik tuniir 04.02.17 B+81

Competitors: 3

Competitors

#	Name	Club	1	2	3	Wins	Pts	Pos
1	Janary KASE	aitado				0	0	3
2	Ergo AIA	toni judokool	10			1	10	2
3	Sten KASMANN	budolinn	10	10		2	20	1

Matches

Match	White			Blue	Result	Time
1	Janary KASE	1	2	Ergo AIA	0 - 10	0:00
2	Janary KASE	1	3	Sten KASMANN	0 - 10	0:00
3	Ergo AIA	2	3	Sten KASMANN	0 - 10	0:00

Results

Pos	Name
1	Sten KASMANN, budolinn
2	Ergo AIA, toni judokool
3	Janary KASE, aitado

Aitado meeskondlik tuniir 04.02.17 B-46

Competitors: 2

Competitors

#	Name	Club	1	2	1	2	1	2	Wins	Pts	Pos
1	Konrad KUMM	audentes		7		10			2	17	1
2	Artjom KANASHKIN	budolinn							0	0	2

Matches

Match	White			Blue	Result	Time
1	Konrad KUMM	1	2	Artjom KANASHKIN	7 - 0	0:00
2	Konrad KUMM	1	2	Artjom KANASHKIN	10 - 0	0:00
3	Konrad KUMM	1	2	Artjom KANASHKIN		

Results

Pos	Name
1	Konrad KUMM, audentes
2	Artjom KANASHKIN, budolinn

Aitado meeskondlik tuniir 04.02.17 B-50

Competitors: 3

Competitors

#	Name	Club	1	2	3	Wins	Pts	Pos
1	Martin GAPON	audentes				0	0	3
2	Artemi LARIONOV	audentes	10			1	10	2
3	Artjom HOLOSTÕHH	budolinn	10	10		2	20	1

Matches

Match	White			Blue	Result	Time
1	Martin GAPON	1	2	Artemi LARIONOV	0 - 10	0:00
2	Martin GAPON	1	3	Artjom HOLOSTÕHH	0 - 10	0:00
3	Artemi LARIONOV	2	3	Artjom HOLOSTÕHH	0 - 10	0:00

Results

Pos	Name
1	Artjom HOLOSTÕHH, budolinn
2	Artemi LARIONOV, audentes
3	Martin GAPON, audentes

Aitado meeskondlik tuniir 04.02.17 B-55

Competitors: 5

Competitors

#	Name	Club	1	2	3	4	5	Wins	Pts	Pos
1	Daniel KOJUS	aitado			10	10		2	20	3
2	Sten-erik KÄRBER	aitado	10		10			2	20	3
3	Sergei AGARKOV	audentes						0	0	5
4	Jegor BORISSOV	budolinn		10	10		10	3	30	1
5	Nikolai RIEKSTINŠ	budolinn	10	10	10			3	30	2

Matches

Match	White		Blue		Result	Time
1	Jegor BORISSOV	4	5	Nikolai RIEKSTINŠ	10 - 0	0:00
2	Daniel KOJUS	1	2	Sten-erik KÄRBER	0 - 10	0:00
3	Sergei AGARKOV	3	4	Jegor BORISSOV	0 - 10	0:00
4	Daniel KOJUS	1	5	Nikolai RIEKSTINŠ	0 - 10	0:00
5	Sten-erik KÄRBER	2	3	Sergei AGARKOV	10 - 0	0:00
6	Daniel KOJUS	1	4	Jegor BORISSOV	10 - 0	0:00
7	Sergei AGARKOV	3	5	Nikolai RIEKSTINŠ	0 - 10	0:00
8	Sten-erik KÄRBER	2	4	Jegor BORISSOV	0 - 10	0:00
9	Daniel KOJUS	1	3	Sergei AGARKOV	10 - 0	0:00
10	Sten-erik KÄRBER	2	5	Nikolai RIEKSTINŠ	0 - 10	0:00

Results

Pos	Name
1	Jegor BORISSOV, budolinn
2	Nikolai RIEKSTINŠ, budolinn
3	Sten-erik KÄRBER, aitado
3	Daniel KOJUS, aitado
5	Sergei AGARKOV, audentes

Aitado meeskondlik tuniir 04.02.17 B-60

Competitors: 4

Competitors

#	Name	Club	1	2	3	4	Wins	Pts	Pos
1	Nikita KISLÕI	ookami			10		1	10	3
2	Julius VARE	ookami	10			10	2	20	2
3	Mark VINOGRADOV	budolinn		10		10	2	20	1
4	Laur LEEMETS	toni judokool	10				1	10	3

Matches

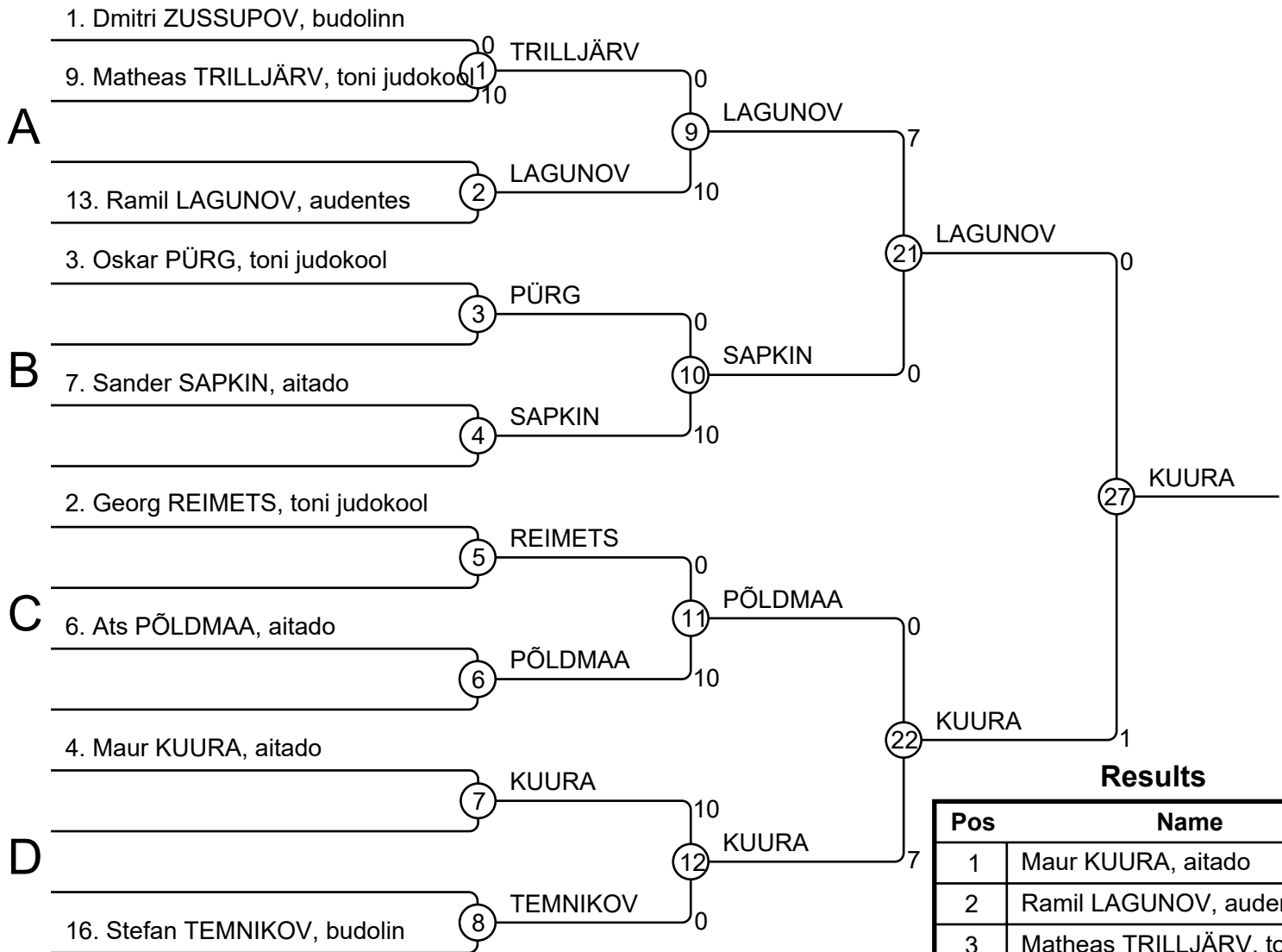
Match	White		Blue		Result	Time
1	Nikita KISLÕI	1	2	Julius VARE	0 - 10	0:00
2	Mark VINOGRADOV	3	4	Laur LEEMETS	10 - 0	0:00
3	Nikita KISLÕI	1	3	Mark VINOGRADOV	10 - 0	0:00
4	Julius VARE	2	4	Laur LEEMETS	10 - 0	0:00
5	Nikita KISLÕI	1	4	Laur LEEMETS	0 - 10	0:00
6	Julius VARE	2	3	Mark VINOGRADOV	0 - 10	0:00

Results

Pos	Name
1	Mark VINOGRADOV, budolinn
2	Julius VARE, ookami
3	Laur LEEMETS, toni judokool
3	Nikita KISLÕI, ookami

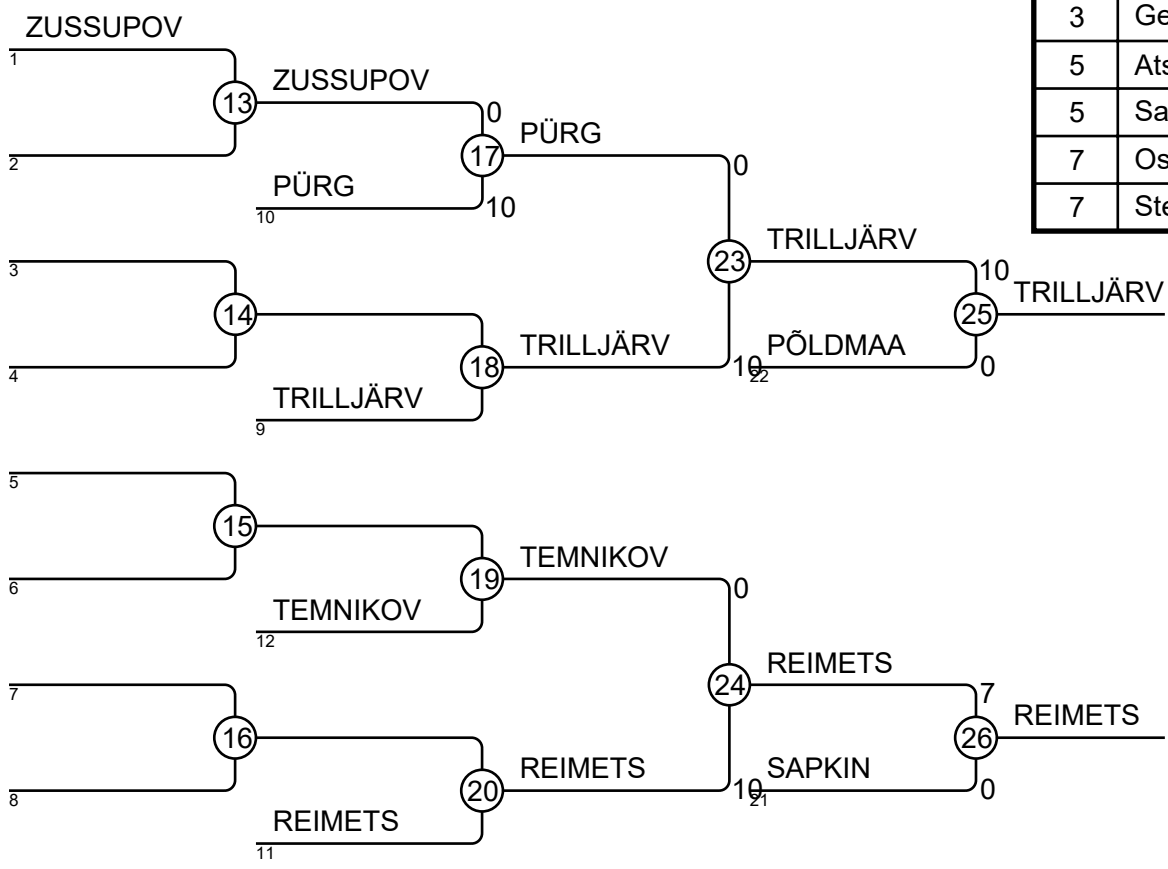
Aitado meeskondlik tuniir 04.02.17 B-66

Competitors: 9



Results

Pos	Name
1	Maur KUURA, aitado
2	Ramil LAGUNOV, audentes
3	Matheas TRILLJÄRV, toni judokool
3	Georg REIMETS, toni judokool
5	Ats PÖLDMAA, aitado
5	Sander SAPKIN, aitado
7	Oskar PÜRG, toni judokool
7	Stefan TEMNIKOV, budolin



Aitado meeskondlik tuniir 04.02.17 B-73

Competitors: 2

Competitors

#	Name	Club	1	2	1	2	1	2	Wins	Pts	Pos
1	Marten JAANUS	aitado							0	0	2
2	Janari OLEV	toni judokool	10		10				2	20	1

Matches

Match	White			Blue	Result	Time
1	Marten JAANUS	1	2	Janari OLEV	0 - 10	0:00
2	Marten JAANUS	1	2	Janari OLEV	0 - 10	0:00
3	Marten JAANUS	1	2	Janari OLEV		

Results

Pos	Name
1	Janari OLEV, toni judokool
2	Marten JAANUS, aitado

Aitado meeskondlik tuniir 04.02.17 B-81

Competitors: 3

Competitors

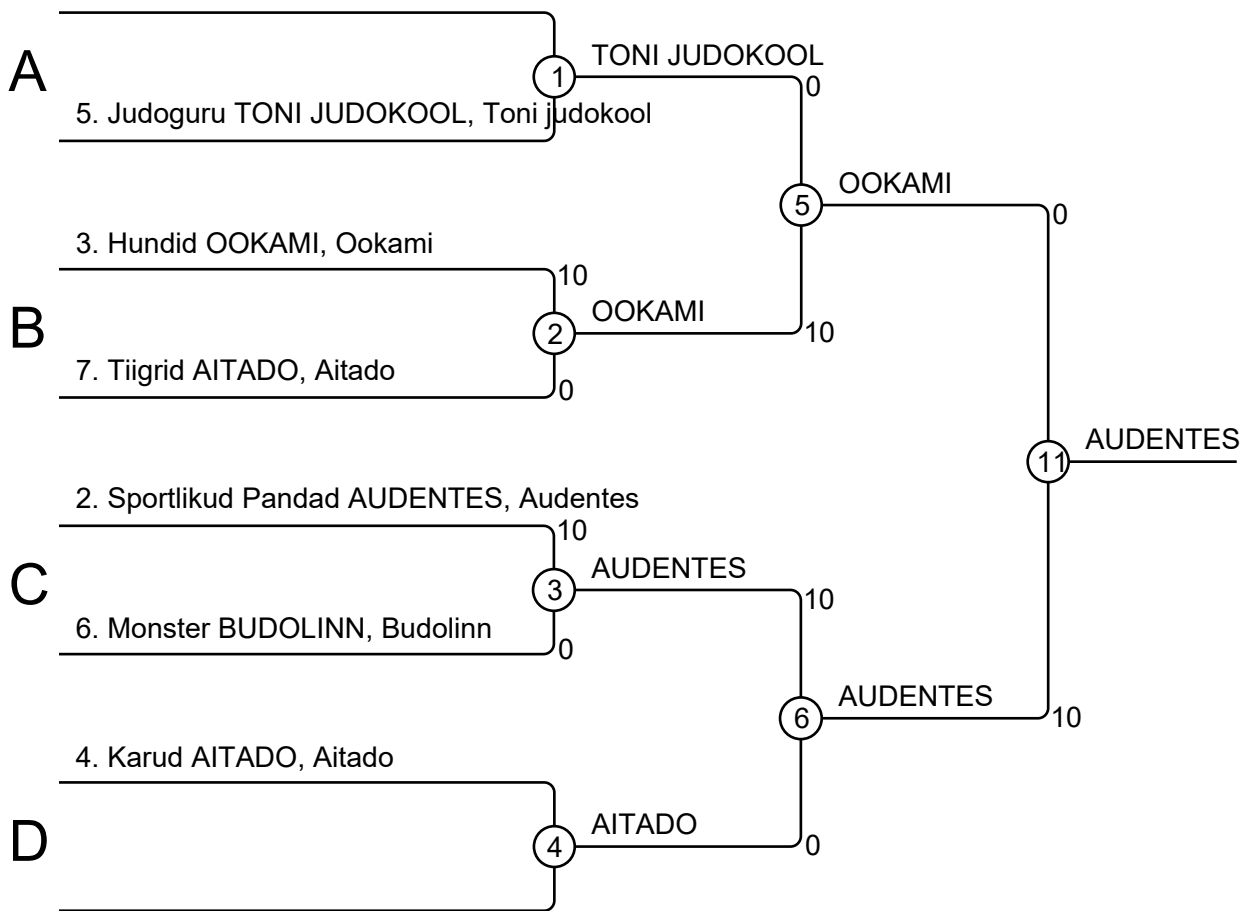
#	Name	Club	1	2	3	Wins	Pts	Pos
1	Erick-marck MUST	aitado			10	1	10	2
2	Karl-dani PRIILINN-TÜRK	aitado	10		10	2	20	1
3	Daniel BUDÖLIN	budolinn				0	0	3

Matches

Match	White			Blue	Result	Time
1	Erick-marck MUST	1	2	Karl-dani PRIILINN-TÜRK	0 - 10	0:00
2	Erick-marck MUST	1	3	Daniel BUDÖLIN	10 - 0	0:00
3	Karl-dani PRIILINN-TÜRK	2	3	Daniel BUDÖLIN	10 - 0	0:00

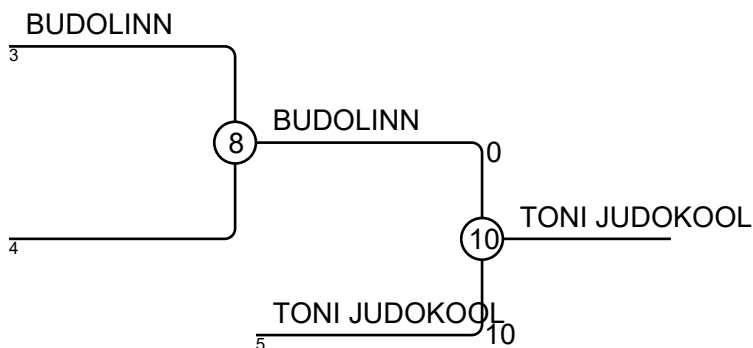
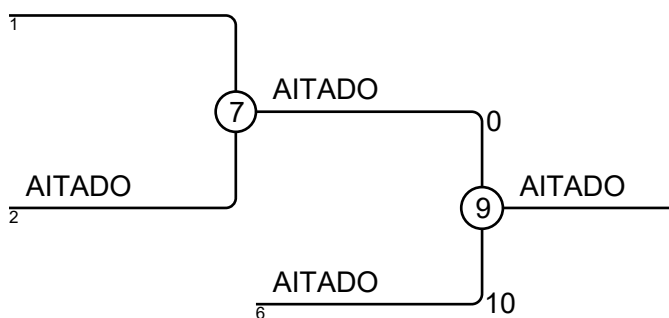
Results

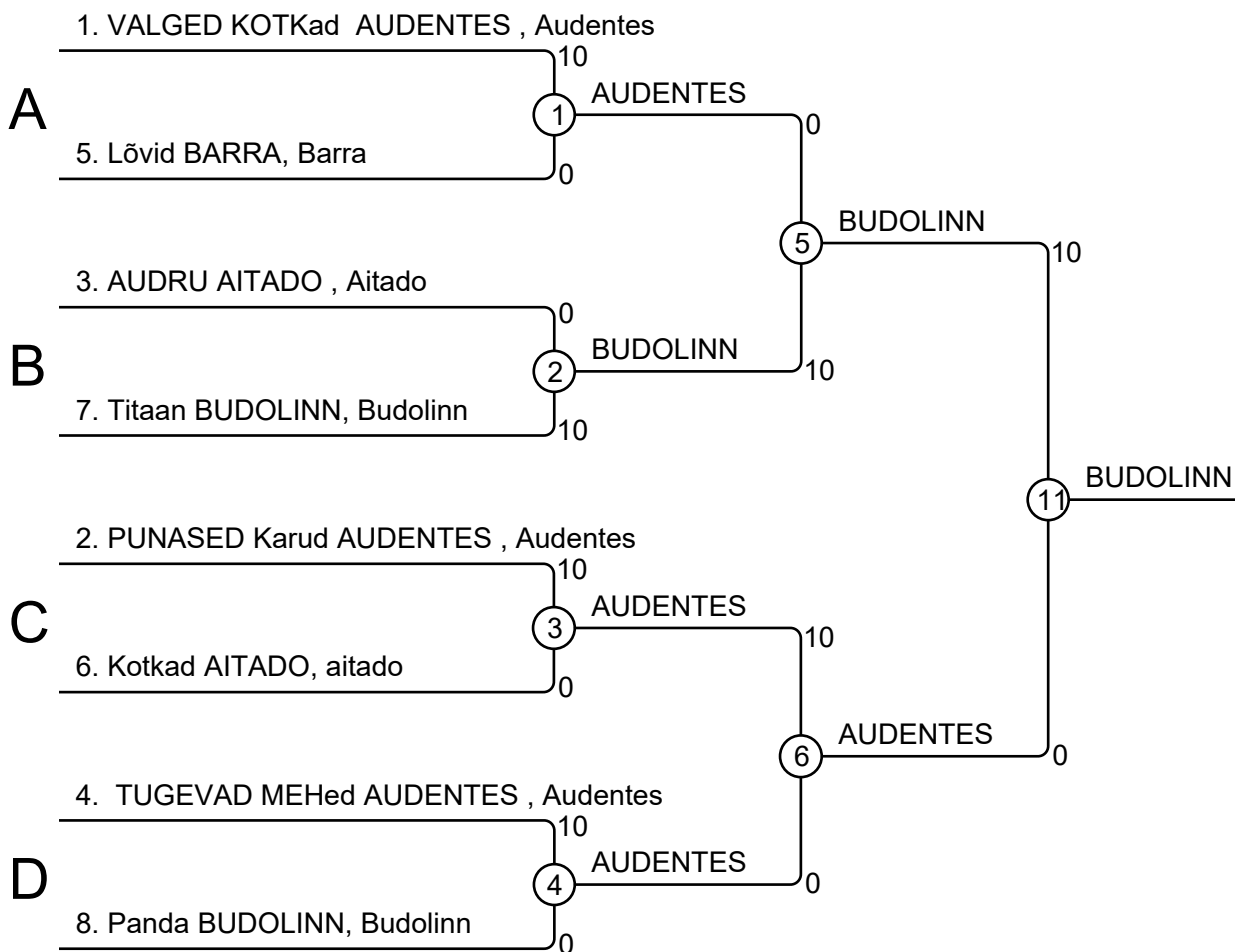
Pos	Name
1	Karl-dani PRIILINN-TÜRK, aitado
2	Erick-marck MUST, aitado
3	Daniel BUDÖLIN, budolinn



Results

Pos	Name
1	Sportlikud Pandad AUDENTES, Audentes
2	Hundid OOKAMI, Ookami
3	Karud AITADO, Aitado
3	Judoguru TONI JUDOKOOL, Toni judokool
5	Tiigrid AITADO, Aitado
5	Monster BUDOLINN, Budolinn
7	
7	





Results

Pos	Name
1	Titaan BUDOLINN, Budolinn
2	PUNASED Karud AUDENTES, Audentes
3	Lõvid BARRA, Barra
3	VALGED KOTKad AUDENTES, Audentes
5	TUGEVAD MEHed AUDENTES, Audentes
5	Kotkad AITADO, aitado
7	AUDRU AITADO, Aitado
7	Panda BUDOLINN, Budolinn

