

# XV International Autumn Tournament 7.10.2017 CB +70

Competitors: 3

## Competitors

#	Name	Grade	Club	1	2	3	Wins	Pts	Pos
1	Sven TREIER	?	REI		10		1	10	2
2	Rainis RAJA	?	REI				0	0	3
3	Eduard LADŪGIN	?	Audentes	1	10		2	11	1

## Matches

Match	White			Blue	Result	Time
1	Sven TREIER	1	2	Rainis RAJA	10 - 0	0:00
2	Sven TREIER	1	3	Eduard LADŪGIN	0 - 1	0:00
3	Rainis RAJA	2	3	Eduard LADŪGIN	0 - 10	0:00

## Results

Pos	Name
1	Eduard LADŪGIN, Audentes
2	Sven TREIER, REI
3	Rainis RAJA, REI

# XV International Autumn Tournament 7.10.2017

# CB -34

Competitors: 1

## Competitors

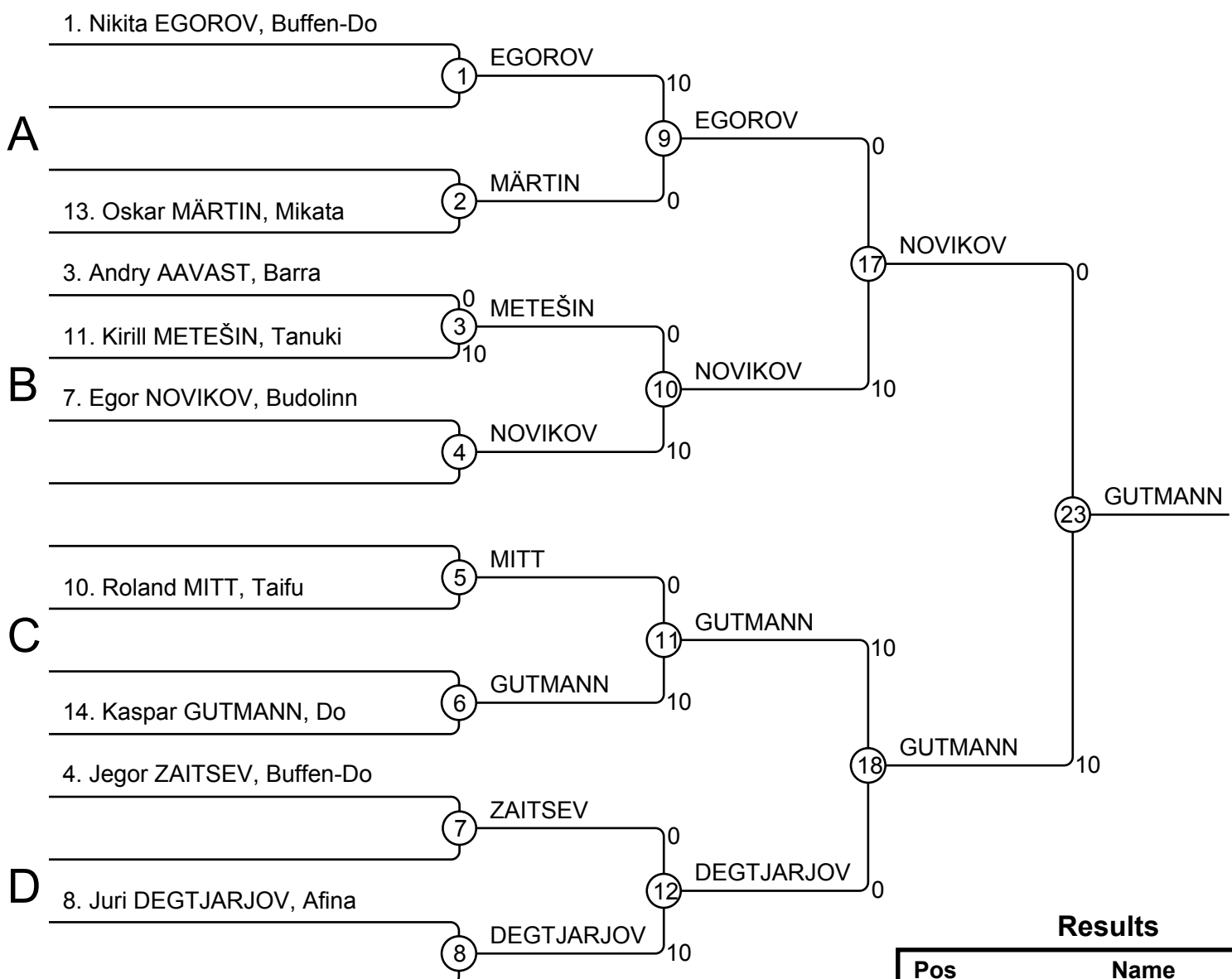
#	Name	Grade	Club	1	Wins	Pts	Pos
1	Andry AAVAST	?	Barra		0	0	1

## Matches

Match	White	Blue	Result	Time
-------	-------	------	--------	------

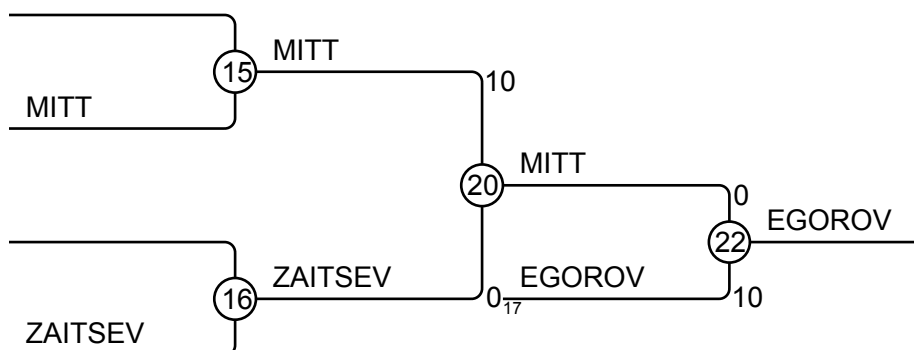
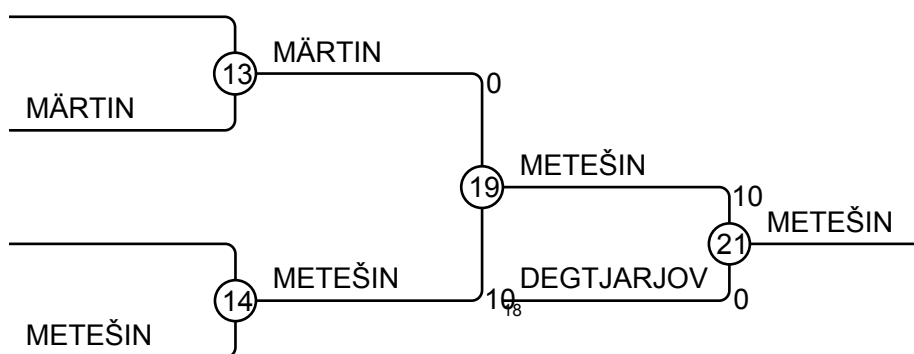
## Results

Pos	Name
1	Andry AAVAST, Barra



### Results

Pos	Name
1	Kaspar GUTMANN, Do
2	Egor NOVIKOV, Budolinn
3	Kirill METEŠIN, Tanuki
3	Nikita EGOROV, Buffen-Do
5	Juri DEGTJARJOV, Afina
5	Roland MITT, Taifu
7	Oskar MÄRTIN, Mikata
7	Jegor ZAITSEV, Buffen-Do



# XV International Autumn Tournament 7.10.2017 CB -42

Competitors: 7

## Competitors A

#	Name	Grade	Club	1	2	3	4	Wins	Pts	Pos
1	Markus VILLAKO	?	Do		10	10	10	3	30	1
2	Keiron LAUBERT	?	Samurai			10	10	2	20	2
3	Joosep POKK	?	REI					0	0	4
4	Jürgen LOHE	?	Mikata			10		1	10	3

## Matches A

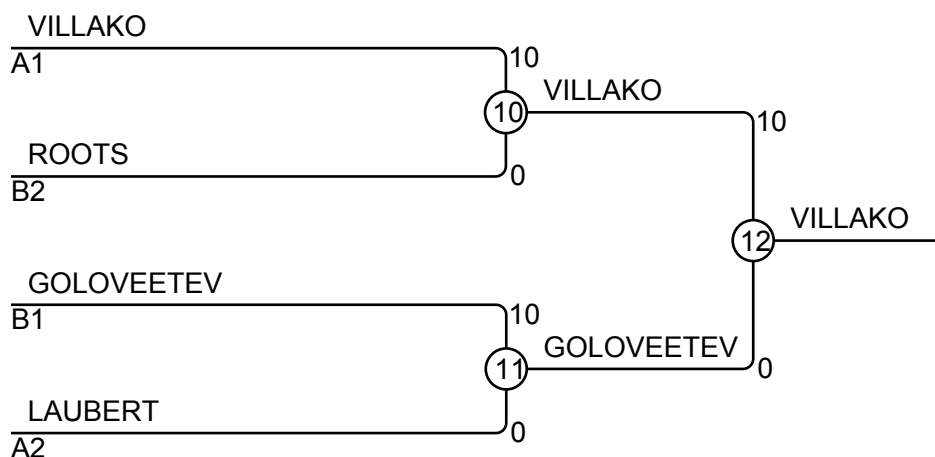
Match	White	Blue	Result	Time
1	Markus VILLAKO 1	Keiron LAUBERT 2	10 - 0	0:00
2	Joosep POKK 3	Jürgen LOHE 4	0 - 10	0:00
4	Markus VILLAKO 1	Joosep POKK 3	10 - 0	0:00
5	Keiron LAUBERT 2	Jürgen LOHE 4	10 - 0	0:00
7	Markus VILLAKO 1	Jürgen LOHE 4	10 - 0	0:00
8	Keiron LAUBERT 2	Joosep POKK 3	10 - 0	0:00

## Competitors B

#	Name	Grade	Club	5	6	7	Wins	Pts	Pos
5	Maksim KAPUSTIN	?	Buffen-Do				0	0	3
6	Egor GOLOVEETEV	?	Ookami	10		10	2	20	1
7	Rasmus ROOTS	?	Samurai	10			1	10	2

## Matches B

Match	White	Blue	Result	Time
3	Maksim KAPUSTIN 5	Egor GOLOVEETEV 6	0 - 10	0:00
6	Maksim KAPUSTIN 5	Rasmus ROOTS 7	0 - 10	0:00
9	Egor GOLOVEETEV 6	Rasmus ROOTS 7	10 - 0	0:00



## Results

Pos	Name
1	Markus VILLAKO, Do
2	Egor GOLOVEETEV, Ookami
3	Rasmus ROOTS, Samurai
3	Keiron LAUBERT, Samurai

# XV International Autumn Tournament 7.10.2017 CB -46

Competitors: 4

## Competitors

#	Name	Grade	Club	1	2	3	4	Wins	Pts	Pos
1	Randy NAGEL	?	REI		10	10		2	20	2
2	Aleksandr TREUMOV	?	Buffen-Do					0	0	4
3	Anatoli ŽADAROŽNŮI	?	Audentes		10			1	10	3
4	Kirill POSTOL	?	Ookami	7	10	10		3	27	1

## Matches

Match	White			Blue	Result	Time
1	Randy NAGEL	1	2	Aleksandr TREUMOV	10 - 0	0:00
2	Anatoli ŽADAROŽNŮI	3	4	Kirill POSTOL	0 - 10	0:00
3	Randy NAGEL	1	3	Anatoli ŽADAROŽNŮI	10 - 0	0:00
4	Aleksandr TREUMOV	2	4	Kirill POSTOL	0 - 10	0:00
5	Randy NAGEL	1	4	Kirill POSTOL	0 - 7	0:00
6	Aleksandr TREUMOV	2	3	Anatoli ŽADAROŽNŮI	0 - 10	0:00

## Results

Pos	Name
1	Kirill POSTOL, Ookami
2	Randy NAGEL, REI
3	Anatoli ŽADAROŽNŮI, Audentes
4	Aleksandr TREUMOV, Buffen-Do

# XV International Autumn Tournament 7.10.2017 CB -50

Competitors: 7

## Competitors A

#	Name	Grade	Club	1	2	3	4	Wins	Pts	Pos
1	Jari-Matti SALONEN	?	Do			10	1	2	11	2
2	Ats Andreas PRANGLI	?	Ookami	7		10	10	3	27	1
3	Aleksandr ZABORNIKOV	?	Buffen-Do					0	0	4
4	Ott Robin KARU	?	Mikado			10		1	10	3

## Matches A

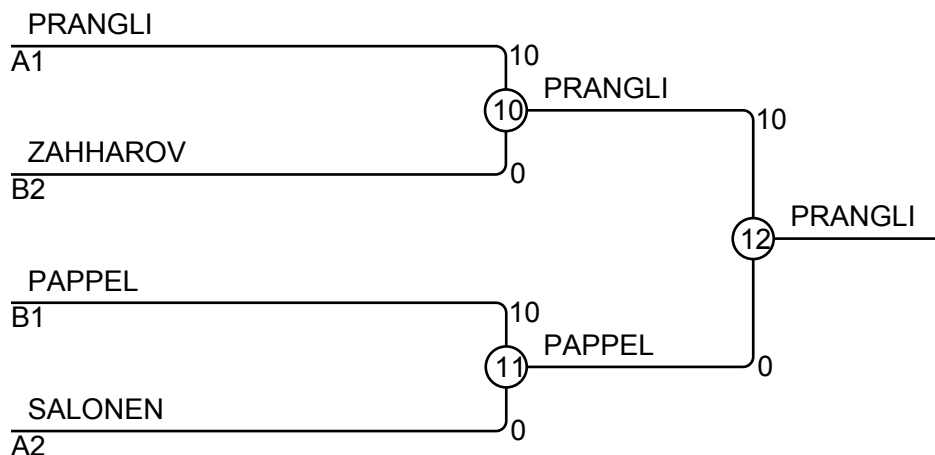
Match	White	Blue	Result	Time
1	Jari-Matti SALONEN 1 2	Ats Andreas PRANGLI	0 - 7	0:00
2	Aleksandr ZABORNIKOV 3 4	Ott Robin KARU	0 - 10	0:00
4	Jari-Matti SALONEN 1 3	Aleksandr ZABORNIKOV	10 - 0	0:00
5	Ats Andreas PRANGLI 2 4	Ott Robin KARU	10 - 0	0:00
7	Jari-Matti SALONEN 1 4	Ott Robin KARU	1 - 0	0:00
8	Ats Andreas PRANGLI 2 3	Aleksandr ZABORNIKOV	10 - 0	0:00

## Competitors B

#	Name	Grade	Club	5	6	7	Wins	Pts	Pos
5	Robert PAPPEL	?	Ookami		10	10	2	20	1
6	Vjatšeslav ZAHHAROV	?	Kibuvits			7	1	7	2
7	Marko Uku Tõdu MADI	?	Do				0	0	3

## Matches B

Match	White	Blue	Result	Time
3	Robert PAPPEL 5 6	Vjatšeslav ZAHHAROV	10 - 0	0:00
6	Robert PAPPEL 5 7	Marko Uku Tõdu MADI	10 - 0	0:00
9	Vjatšeslav ZAHHAROV 6 7	Marko Uku Tõdu MADI	7 - 0	0:00



## Results

Pos	Name
1	Ats Andreas PRANGLI, Ookami
2	Robert PAPPEL, Ookami
3	Vjatšeslav ZAHHAROV, Kibuvits
3	Jari-Matti SALONEN, Do

# XV International Autumn Tournament 7.10.2017 CB -55

Competitors: 7

## Competitors A

#	Name	Grade	Club	1	2	3	4	Wins	Pts	Pos
1	Igor ROGANOV	?	Budolinn					0	0	4
2	Rasmus TALTS	?	Ookami	10		10	10	3	30	1
3	Rait TIITUS	?	Samurai	10			10	2	20	2
4	Mattias KLAIS	?	Mikata	10				1	10	3

## Matches A

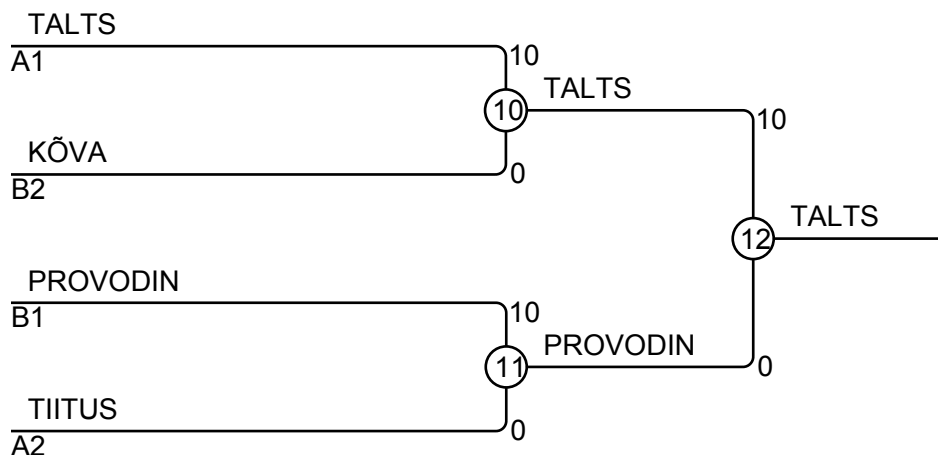
Match	White	Blue	Result	Time
1	Igor ROGANOV	Rasmus TALTS	0 - 10	0:00
2	Rait TIITUS	Mattias KLAIS	10 - 0	0:00
4	Igor ROGANOV	Rait TIITUS	0 - 10	0:00
5	Rasmus TALTS	Mattias KLAIS	10 - 0	0:00
7	Igor ROGANOV	Mattias KLAIS	0 - 10	0:00
8	Rasmus TALTS	Rait TIITUS	10 - 0	0:00

## Competitors B

#	Name	Grade	Club	5	6	7	Wins	Pts	Pos
5	Ako Armin RAID	?	Zen				0	0	3
6	Kaur KÕVA	?	REI	10			1	10	2
7	Aleksander PROVODIN	?	Budolinn	10	10		2	20	1

## Matches B

Match	White	Blue	Result	Time
3	Ako Armin RAID	Kaur KÕVA	0 - 10	0:00
6	Ako Armin RAID	Aleksander PROVODIN	0 - 10	0:00
9	Kaur KÕVA	Aleksander PROVODIN	0 - 10	0:00



## Results

Pos	Name
1	Rasmus TALTS, Ookami
2	Aleksander PROVODIN, Budolinn
3	Kaur KÕVA, REI
3	Rait TIITUS, Samurai

# XV International Autumn Tournament 7.10.2017 CB -62

Competitors: 3

## Competitors

#	Name	Grade	Club	1	2	3	Wins	Pts	Pos
1	Ilja DELJANSKI	?	Mikado		10	7	2	17	1
2	Markku OTTI	?	Zen				0	0	3
3	Marten VINGISAAR	?	Ookami		10		1	10	2

## Matches

Match	White			Blue	Result	Time
1	Ilja DELJANSKI	1	2	Markku OTTI	10 - 0	0:00
2	Ilja DELJANSKI	1	3	Marten VINGISAAR	7 - 0	0:00
3	Markku OTTI	2	3	Marten VINGISAAR	0 - 10	0:00

## Results

Pos	Name
1	Ilja DELJANSKI, Mikado
2	Marten VINGISAAR, Ookami
3	Markku OTTI, Zen



# XV International Autumn Tournament 7.10.2017 CB -70

Competitors: 5

## Competitors

#	Name	Grade	Club	1	2	3	4	5	Wins	Pts	Pos
1	Andre ILMJÄRV	?	Ookami		10	10	10		3	30	2
2	Aleksei ALEKSANDROV	?	Buffen-Do				10		1	10	4
3	Konstantin SEMJONOV	?	Dodze		10		10		2	20	3
4	Andrei MIHHAILOV	?	Kibuvits						0	0	5
5	Gleb SEVTSOV	?	Kibuvits	10	10	10	1		4	31	1

## Matches

Match	White	Blue	Result	Time
1	Andrei MIHHAILOV 4 5	Gleb SEVTSOV	0 - 1	0:00
2	Andre ILMJÄRV 1 2	Aleksei ALEKSANDROV	10 - 0	0:00
3	Konstantin SEMJONOV 3 4	Andrei MIHHAILOV	10 - 0	0:00
4	Andre ILMJÄRV 1 5	Gleb SEVTSOV	0 - 10	0:00
5	Aleksei ALEKSANDROV 2 3	Konstantin SEMJONOV	0 - 10	0:00
6	Andre ILMJÄRV 1 4	Andrei MIHHAILOV	10 - 0	0:00
7	Konstantin SEMJONOV 3 5	Gleb SEVTSOV	0 - 10	0:00
8	Aleksei ALEKSANDROV 2 4	Andrei MIHHAILOV	10 - 0	0:00
9	Andre ILMJÄRV 1 3	Konstantin SEMJONOV	10 - 0	0:00
10	Aleksei ALEKSANDROV 2 5	Gleb SEVTSOV	0 - 10	0:00

## Results

Pos	Name
1	Gleb SEVTSOV, Kibuvits
2	Andre ILMJÄRV, Ookami
3	Konstantin SEMJONOV, Dodze
4	Aleksei ALEKSANDROV, Buffen-Do
5	Andrei MIHHAILOV, Kibuvits

# XV International Autumn Tournament 7.10.2017 CG +46

Competitors: 5

## Competitors

#	Name	Grade	Club	1	2	3	4	5	Wins	Pts	Pos
1	Anna Liisa NURM	?	Do		10	10	10	10	4	40	1
2	Kristiina LEPPIK	?	Zen						0	0	5
3	Sandra ILVES	?			10		10		2	20	3
4	Arnika OJALA	?	Samurai		10				1	10	4
5	Kristina KARPENKO	?	Buffen-Do		10	10	10		3	30	2

## Matches

Match	White		Blue		Result	Time
1	Arnika OJALA	4	5	Kristina KARPENKO	0 - 10	0:00
2	Anna Liisa NURM	1	2	Kristiina LEPPIK	10 - 0	0:00
3	Sandra ILVES	3	4	Arnika OJALA	10 - 0	0:00
4	Anna Liisa NURM	1	5	Kristina KARPENKO	10 - 0	0:00
5	Kristiina LEPPIK	2	3	Sandra ILVES	0 - 10	0:00
6	Anna Liisa NURM	1	4	Arnika OJALA	10 - 0	0:00
7	Sandra ILVES	3	5	Kristina KARPENKO	0 - 10	0:00
8	Kristiina LEPPIK	2	4	Arnika OJALA	0 - 10	0:00
9	Anna Liisa NURM	1	3	Sandra ILVES	10 - 0	0:00
10	Kristiina LEPPIK	2	5	Kristina KARPENKO	0 - 10	0:00

## Results

Pos	Name
1	Anna Liisa NURM, Do
2	Kristina KARPENKO, Buffen-Do
3	Sandra ILVES ,
4	Arnika OJALA, Samurai
5	Kristiina LEPPIK, Zen

# XV International Autumn Tournament 7.10.2017 CG -38

Competitors: 2

## Competitors

#	Name	Grade	Club	1	2	1	2	1	2	Wins	Pts	Pos
1	Teele LESTAL	?	Do							0	0	2
2	Aljona SAZONOVA	?	Buffen-Do	10		10				2	20	1

## Matches

Match	White			Blue	Result	Time
1	Teele LESTAL	1	2	Aljona SAZONOVA	0 - 10	0:00
2	Teele LESTAL	1	2	Aljona SAZONOVA	0 - 10	0:00
3	Teele LESTAL	1	2	Aljona SAZONOVA		

## Results

Pos	Name
1	Aljona SAZONOVA, Buffen-Do
2	Teele LESTAL, Do

## Competitors A

#	Name	Grade	Club	1	2	3	Wins	Pts	Pos
1	Marta KESKÜLA	?	Samurai				0	0	3
2	Valeria UŠANOVA	?	Afina	10			1	10	2
3	Pille RANDLANE	?		10	10		2	20	1

## Matches A

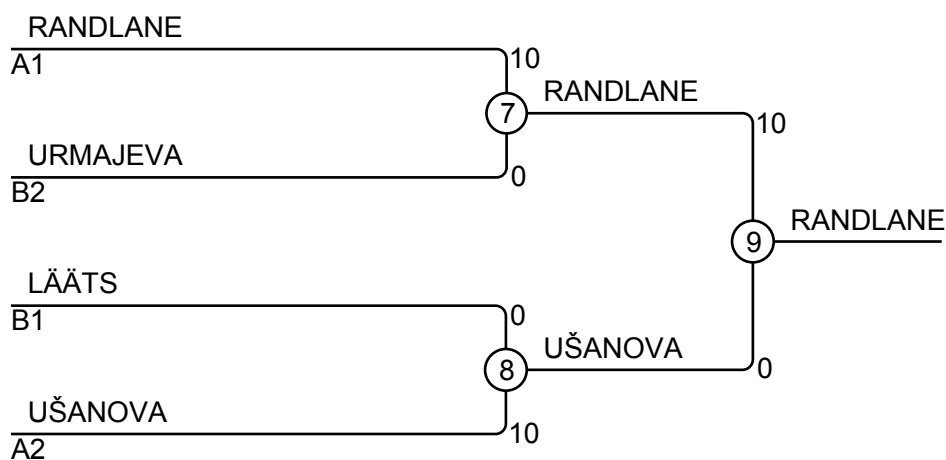
Match	White	Blue	Result	Time
1	Marta KESKÜLA	1 2 Valeria UŠANOVA	0 - 10	0:00
3	Marta KESKÜLA	1 3 Pille RANDLANE	0 - 10	0:00
5	Valeria UŠANOVA	2 3 Pille RANDLANE	0 - 10	0:00

## Competitors B

#	Name	Grade	Club	4	5	6	Wins	Pts	Pos
4	Karina URMAJEVA	?	Afina		10		1	10	2
5	Renate TÜRNPUU	?	Samurai				0	0	3
6	Teevi LÄÄTS	?	Samurai	7	10		2	17	1

## Matches B

Match	White	Blue	Result	Time
2	Karina URMAJEVA	4 5 Renate TÜRNPUU	10 - 0	0:00
4	Karina URMAJEVA	4 6 Teevi LÄÄTS	0 - 7	0:00
6	Renate TÜRNPUU	5 6 Teevi LÄÄTS	0 - 10	0:00



## Results

Pos	Name
1	Pille RANDLANE,
2	Valeria UŠANOVA, Afina
3	Karina URMAJEVA, Afina
3	Teevi LÄÄTS, Samurai

# XV International Autumn Tournament 7.10.2017 DB +50

Competitors: 4

## Competitors

#	Name	Grade	Club	1	2	3	4	Wins	Pts	Pos
1	Kennert LINAMAA	?	Mikata					0	0	4
2	Madis MESILANE	?	Mikata	10				1	10	3
3	Evgeni LADÕGIN	?	Audentes	10	10		10	3	30	1
4	Arnolds ARSENTJENS	?	Bondarenko	7	10			2	17	2

## Matches

Match	White			Blue	Result	Time
1	Kennert LINAMAA	1	2	Madis MESILANE	0 - 10	0:00
2	Evgeni LADÕGIN	3	4	Arnolds ARSENTJENS	10 - 0	0:00
3	Kennert LINAMAA	1	3	Evgeni LADÕGIN	0 - 10	0:00
4	Madis MESILANE	2	4	Arnolds ARSENTJENS	0 - 10	0:00
5	Kennert LINAMAA	1	4	Arnolds ARSENTJENS	0 - 7	0:00
6	Madis MESILANE	2	3	Evgeni LADÕGIN	0 - 10	0:00

## Results

Pos	Name
1	Evgeni LADÕGIN, Audentes
2	Arnolds ARSENTJENS, Bondarenko
3	Madis MESILANE, Mikata
4	Kennert LINAMAA, Mikata

# XV International Autumn Tournament 7.10.2017 DB -27

Competitors: 3

## Competitors

#	Name	Grade	Club	1	2	3	Wins	Pts	Pos
1	Kerdo KOPPEL	?	Samurai				0	0	3
2	Marcus-Mattias PRII	?	Samurai	10		10	2	20	1
3	German KALISTRATOV	?	Tanuki	10			1	10	2

## Matches

Match	White			Blue			Result	Time
1	Kerdo KOPPEL	1	2	Marcus-Mattias PRII			0 - 10	0:00
2	Kerdo KOPPEL	1	3	German KALISTRATOV			0 - 10	0:00
3	Marcus-Mattias PRII	2	3	German KALISTRATOV			10 - 0	0:00

## Results

Pos	Name
1	Marcus-Mattias PRII, Samurai
2	German KALISTRATOV, Tanuki
3	Kerdo KOPPEL, Samurai

## Competitors A

#	Name	Grade	Club	1	2	3	Wins	Pts	Pos
1	Maksim LEOSHKEVICH	?	Ippon Rus				0	0	3
2	Kerdon LAUBERT	?	Samurai	10			1	10	2
3	Jevgeni SELEDTSOV	?	Kibuvits	10	10		2	20	1

## Matches A

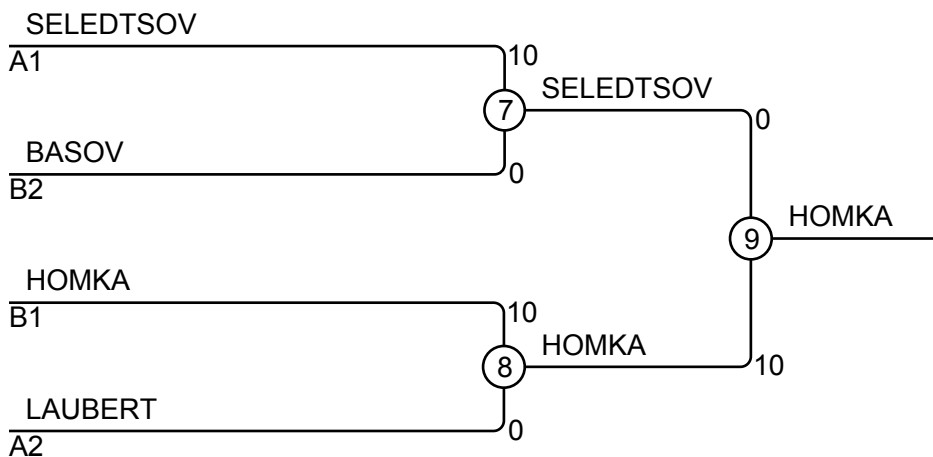
Match	White	Blue	Result	Time
1	Maksim LEOSHKEVICH 1 2	Kerdon LAUBERT	0 - 10	0:00
3	Maksim LEOSHKEVICH 1 3	Jevgeni SELEDTSOV	0 - 10	0:00
5	Kerdon LAUBERT 2 3	Jevgeni SELEDTSOV	0 - 10	0:00

## Competitors B

#	Name	Grade	Club	4	5	6	Wins	Pts	Pos
4	David BASOV	?	Medved		10		1	10	2
5	Andris PIIRIKIVI	?					0	0	3
6	Eriks HOMKA	?	Lido	7	10		2	17	1

## Matches B

Match	White	Blue	Result	Time
2	David BASOV 4 5	Andris PIIRIKIVI	10 - 0	0:00
4	David BASOV 4 6	Eriks HOMKA	0 - 7	0:00
6	Andris PIIRIKIVI 5 6	Eriks HOMKA	0 - 10	0:00

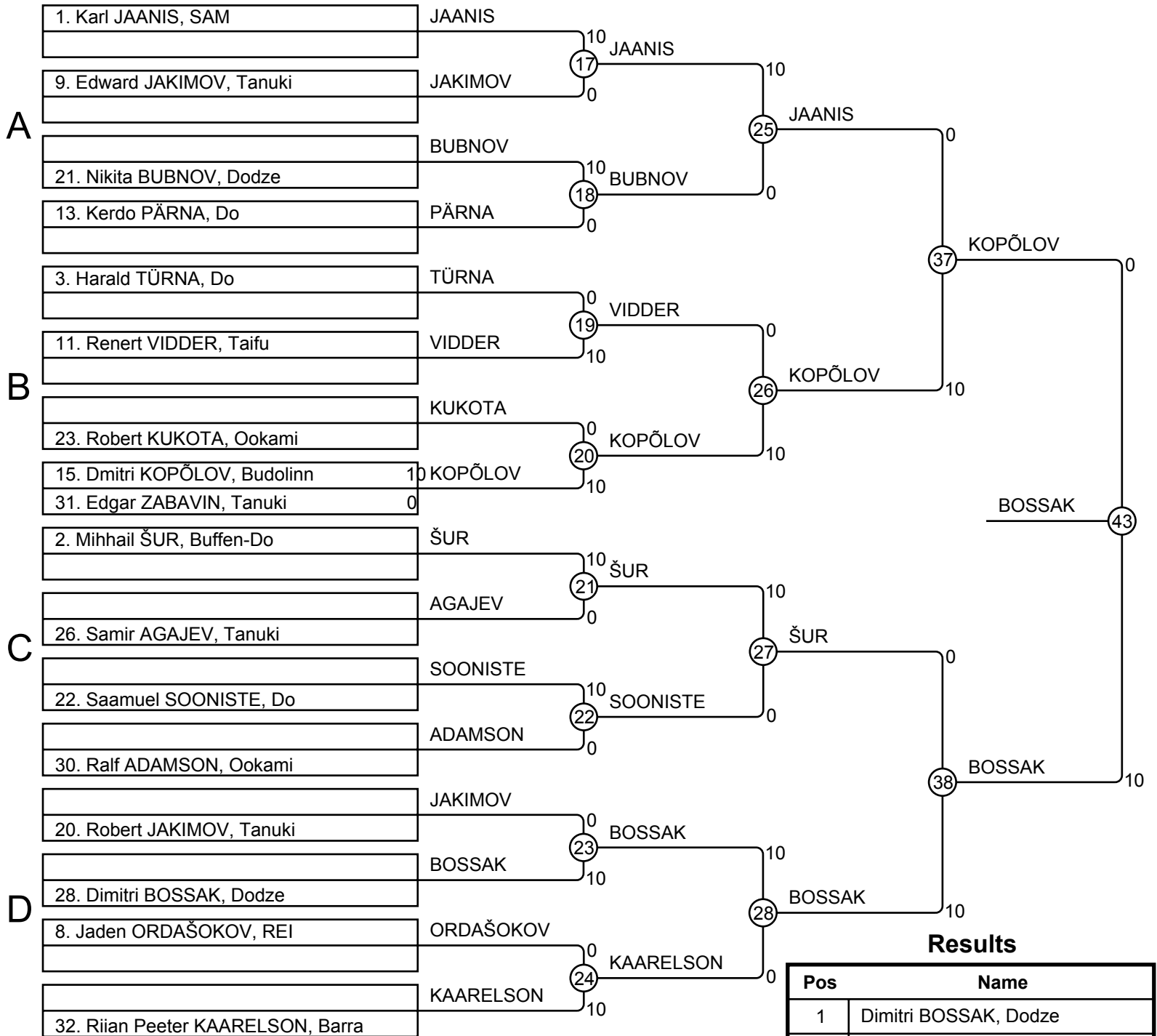


## Results

Pos	Name
1	Eriks HOMKA, Lido
2	Jevgeni SELEDTSOV, Kibuvits
3	David BASOV, Medved
3	Kerdon LAUBERT, Samurai

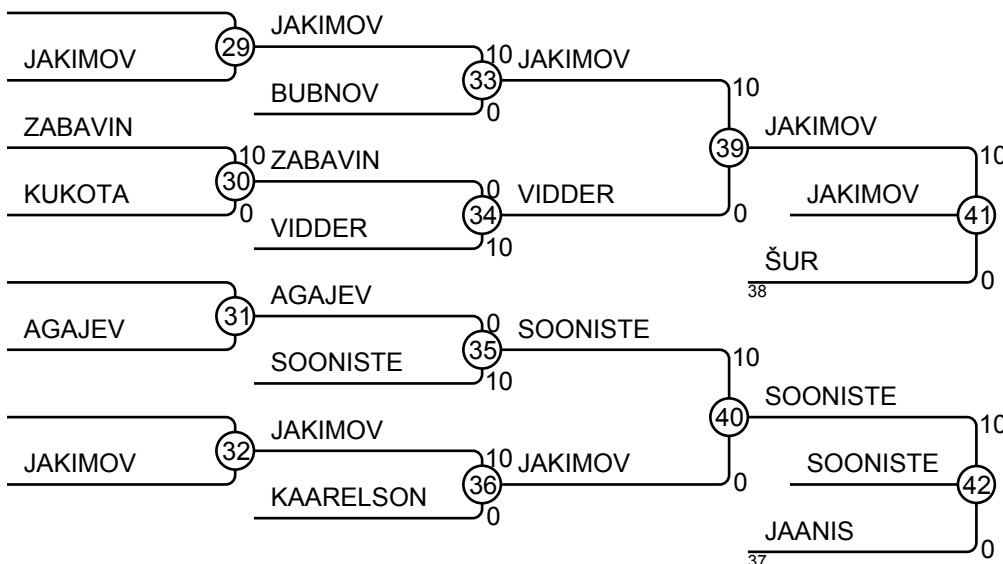
# XV International Autumn Tournament 7.10.2017 DB -34

Competitors: 17



## Results

Pos	Name
1	Dimitri BOSSAK, Dodze
2	Dmitri KOPŌLOV, Budolinn
3	Edward JAKIMOV, Tanuki
3	Saamuel SOONISTE, Do
5	Mihhail ŠUR, Buffen-Do
5	Karl JAANIS, Samurai
7	Renert VIDDER, Taifu
7	Robert JAKIMOV, Tanuki





## Competitors A

#	Name	Grade	Club	1	2	3	Wins	Pts	Pos
1	Miku-Martin ÕISMAA	?	Samurai				0	0	3
2	Marat VALUYSKY	?	Tanuki	10			1	10	2
3	Rainer ÕNNE	?	Taifu	7	10		2	17	1

## Matches A

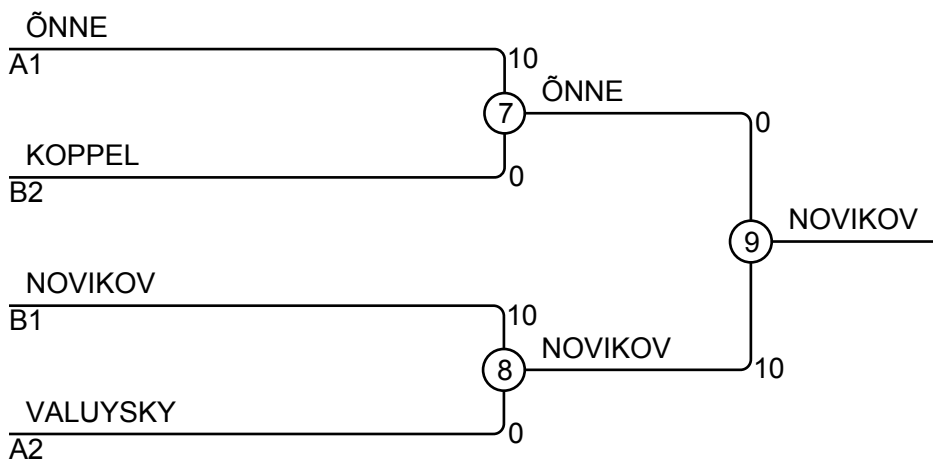
Match	White	Blue	Result	Time
1	Miku-Martin ÕISMAA 1 2	Marat VALUYSKY	0 - 10	0:00
3	Miku-Martin ÕISMAA 1 3	Rainer ÕNNE	0 - 7	0:00
5	Marat VALUYSKY 2 3	Rainer ÕNNE	0 - 10	0:00

## Competitors B

#	Name	Grade	Club	4	5	6	Wins	Pts	Pos
4	Jegor NOVIKOV	?	Budolinn		10	10	2	20	1
5	Rainis VÄÄT	?	Barra				0	0	3
6	Kermo KOPPEL	?	Samurai		7		1	7	2

## Matches B

Match	White	Blue	Result	Time
2	Jegor NOVIKOV 4 5	Rainis VÄÄT	10 - 0	0:00
4	Jegor NOVIKOV 4 6	Kermo KOPPEL	10 - 0	0:00
6	Rainis VÄÄT 5 6	Kermo KOPPEL	0 - 7	0:00

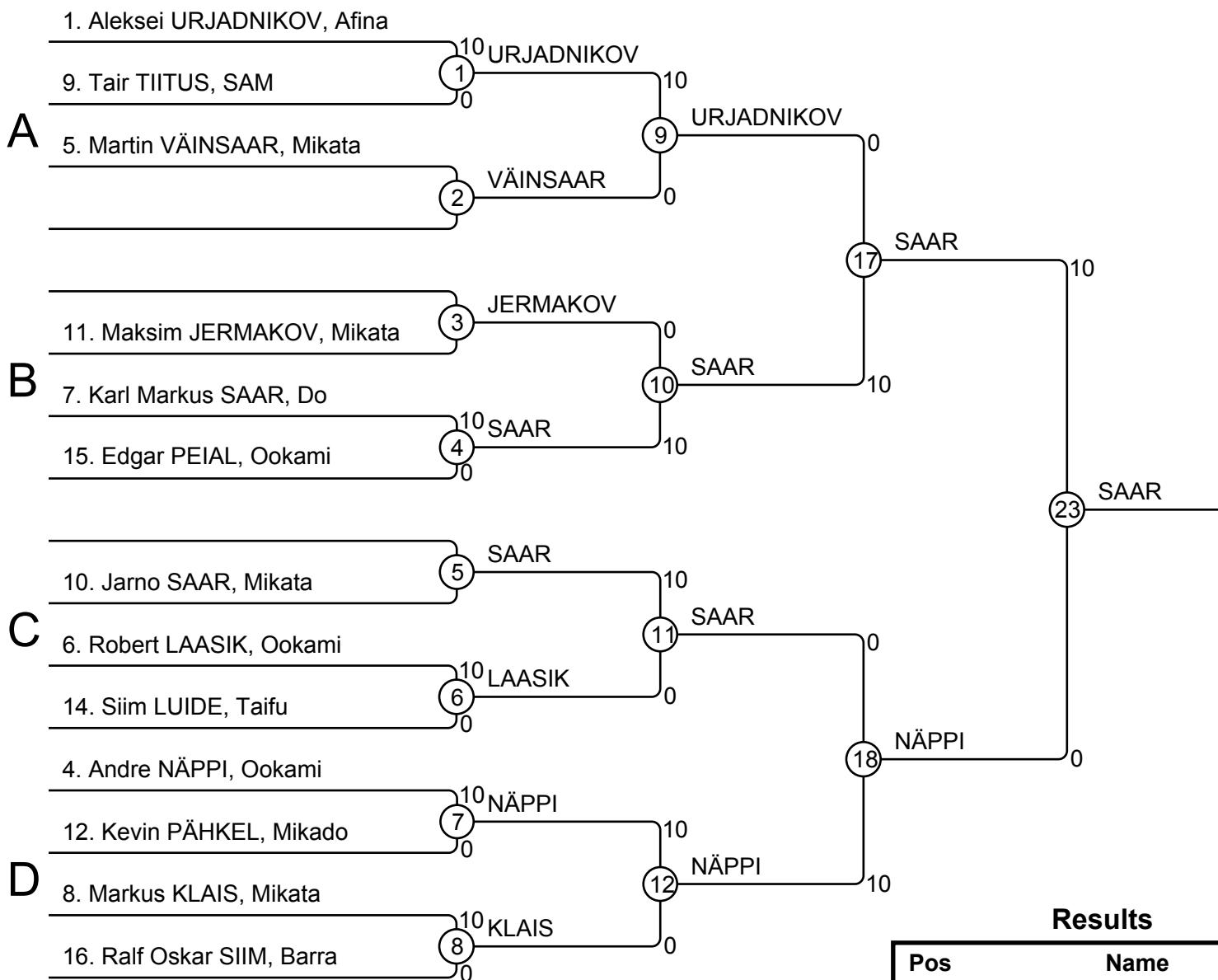


## Results

Pos	Name
1	Jegor NOVIKOV, Budolinn
2	Rainer ÕNNE, Taifu
3	Kermo KOPPEL, Samurai
3	Marat VALUYSKY, Tanuki

# XV International Autumn Tournament 7.10.2017 DB -42

Competitors: 13



## Results

Pos	Name
1	Karl Markus SAAR, Do
2	Andre NÄPPI, Ookami
3	Tair TIITUS, Samurai
3	Aleksei URJADNIKOV, Afina
5	Jarno SAAR, Mikata
5	Markus KLAIS, Mikata
7	Maksim JERMAKOV, Mikata
7	Robert LAASIK, Ookami

## Competitors A

#	Name	Grade	Club	1	2	3	Wins	Pts	Pos
1	Henry LEIAR	?	REI				0	0	3
2	Anatoli ŽADAROŽNŌI	?	Audentes	10		7	2	17	1
3	Artjom TIŠTŠENKO	?	Afina	10			1	10	2

## Matches A

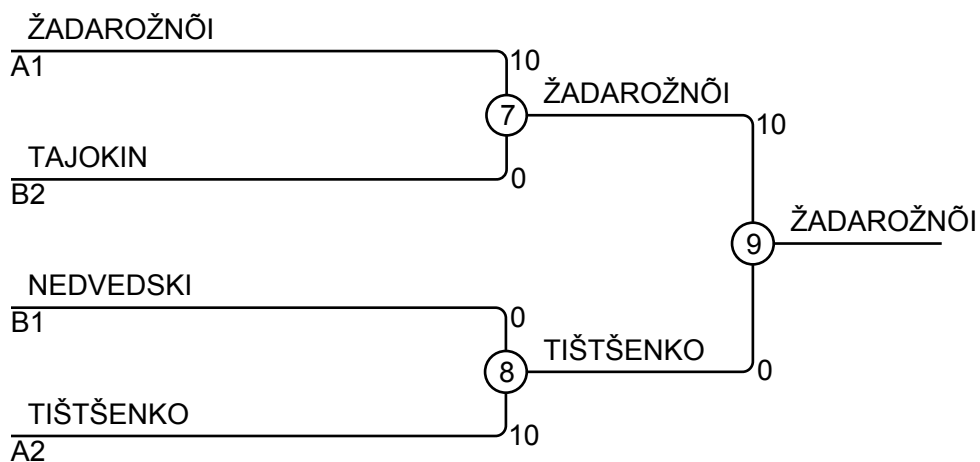
Match	White	Blue	Result	Time
1	Henry LEIAR 1 2	Anatoli ŽADAROŽNŌI	0 - 10	0:00
3	Henry LEIAR 1 3	Artjom TIŠTŠENKO	0 - 10	0:00
5	Anatoli ŽADAROŽNŌI 2 3	Artjom TIŠTŠENKO	7 - 0	0:00

## Competitors B

#	Name	Grade	Club	4	5	6	Wins	Pts	Pos
4	Maksim TOKMANTSEV	?	Buffen-Do				0	0	3
5	Jegor NEDVEDSKI	?	Tanuki	10		10	2	20	1
6	Artjom TAJOKIN	?	Do	10			1	10	2

## Matches B

Match	White	Blue	Result	Time
2	Maksim TOKMANTSEV 4 5	Jegor NEDVEDSKI	0 - 10	0:00
4	Maksim TOKMANTSEV 4 6	Artjom TAJOKIN	0 - 10	0:00
6	Jegor NEDVEDSKI 5 6	Artjom TAJOKIN	10 - 0	0:00



## Results

Pos	Name
1	Anatoli ŽADAROŽNŌI, Audentes
2	Artjom TIŠTŠENKO, Afina
3	Artjom TAJOKIN, Do
3	Jegor NEDVEDSKI, Tanuki

# XV International Autumn Tournament 7.10.2017 DB -50

Competitors: 4

## Competitors

#	Name	Grade	Club	1	2	3	4	Wins	Pts	Pos
1	Ott Robin KARU	?	Mikado		10	10	7	3	27	1
2	Ain-Aleksander MÄNNIKUS	?	Samurai					0	0	4
3	Rico SMIT	?	REI		10		7	2	17	2
4	Artjom BELJAKOV	?	Ookami		10			1	10	3

## Matches

Match	White		Blue		Result	Time
1	Ott Robin KARU	1	2	Ain-Aleksander MÄNNIKUS	10 - 0	0:00
2	Rico SMIT	3	4	Artjom BELJAKOV	7 - 0	0:00
3	Ott Robin KARU	1	3	Rico SMIT	10 - 0	0:00
4	Ain-Aleksander MÄNNIKUS	2	4	Artjom BELJAKOV	0 - 10	0:00
5	Ott Robin KARU	1	4	Artjom BELJAKOV	7 - 0	0:00
6	Ain-Aleksander MÄNNIKUS	2	3	Rico SMIT	0 - 10	0:00

## Results

Pos	Name
1	Ott Robin KARU, Mikado
2	Rico SMIT, REI
3	Artjom BELJAKOV, Ookami
4	Ain-Aleksander MÄNNIKUS, Samurai

# XV International Autumn Tournament 7.10.2017

# DG +35

Competitors: 3

## Competitors

#	Name	Grade	Club	1	2	3	Wins	Pts	Pos
1	Inger Marii VOLBER	?	Mikata		10		1	10	2
2	Greti ÜLEJÕE	?	Mikata				0	0	3
3	Angelina PINTŠUK	?	Afina	7	10		2	17	1

## Matches

Match	White			Blue	Result	Time
1	Inger Marii VOLBER	1	2	Greti ÜLEJÕE	10 - 0	0:00
2	Inger Marii VOLBER	1	3	Angelina PINTŠUK	0 - 7	0:00
3	Greti ÜLEJÕE	2	3	Angelina PINTŠUK	0 - 10	0:00

## Results

Pos	Name
1	Angelina PINTŠUK, Afina
2	Inger Marii VOLBER, Mikata
3	Greti ÜLEJÕE, Mikata

# XV International Autumn Tournament 7.10.2017 DG -35

Competitors: 5

## Competitors

#	Name	Grade	Club	1	2	3	4	5	Wins	Pts	Pos
1	Sofia Nika POSTUŠENKO	?	Budolinn			10	10		2	20	3
2	Alise BULJONE	?	IPPON Lat	10		10	10	10	4	40	1
3	Lisette ILVES	?	Do				10		1	10	4
4	Rebecca TOOME	?	Mikata						0	0	5
5	Marianne TORNIJAINEN	?	Samurai	10		10	10		3	30	2

## Matches

Match	White		Blue		Result	Time
1	Rebecca TOOME	4	5	Marianne TORNIJAINEN	0 - 10	0:00
2	Sofia Nika POSTUŠENKO	1	2	Alise BULJONE	0 - 10	0:00
3	Lisette ILVES	3	4	Rebecca TOOME	10 - 0	0:00
4	Sofia Nika POSTUŠENKO	1	5	Marianne TORNIJAINEN	0 - 10	0:00
5	Alise BULJONE	2	3	Lisette ILVES	10 - 0	0:00
6	Sofia Nika POSTUŠENKO	1	4	Rebecca TOOME	10 - 0	0:00
7	Lisette ILVES	3	5	Marianne TORNIJAINEN	0 - 10	0:00
8	Alise BULJONE	2	4	Rebecca TOOME	10 - 0	0:00
9	Sofia Nika POSTUŠENKO	1	3	Lisette ILVES	10 - 0	0:00
10	Alise BULJONE	2	5	Marianne TORNIJAINEN	10 - 0	0:00

## Results

Pos	Name
1	Alise BULJONE, IPPON Lat
2	Marianne TORNIJAINEN, Samurai
3	Sofia Nika POSTUŠENKO, Budolinn
4	Lisette ILVES, Do
5	Rebecca TOOME, Mikata

# XV International Autumn Tournament 7.10.2017 EB +38

Competitors: 5

## Competitors

#	Name	Grade	Club	1	2	3	4	5	Wins	Pts	Pos
1	Siim KOHVER	?	Do		10			10	2	20	3
2	Karl Feliks IRVE	?	Mikata						0	0	5
3	Daniil SAVOSTO	?	Buffen-Do	10	10			10	3	30	2
4	Martin TUKA	?	Do	10	10	7		10	4	37	1
5	Ralf KASK	?	Do		10				1	10	4

## Matches

Match	White		Blue		Result	Time
1	Martin TUKA	4	5	Ralf KASK	10 - 0	0:00
2	Siim KOHVER	1	2	Karl Feliks IRVE	10 - 0	0:00
3	Daniil SAVOSTO	3	4	Martin TUKA	0 - 7	0:00
4	Siim KOHVER	1	5	Ralf KASK	10 - 0	0:00
5	Karl Feliks IRVE	2	3	Daniil SAVOSTO	0 - 10	0:00
6	Siim KOHVER	1	4	Martin TUKA	0 - 10	0:00
7	Daniil SAVOSTO	3	5	Ralf KASK	10 - 0	0:00
8	Karl Feliks IRVE	2	4	Martin TUKA	0 - 10	0:00
9	Siim KOHVER	1	3	Daniil SAVOSTO	0 - 10	0:00
10	Karl Feliks IRVE	2	5	Ralf KASK	0 - 10	0:00

## Results

Pos	Name
1	Martin TUKA, Do
2	Daniil SAVOSTO, Buffen-Do
3	Siim KOHVER, Do
4	Ralf KASK, Do
5	Karl Feliks IRVE, Mikata

## Competitors

#	Name	Grade	Club	1	2	3	Wins	Pts	Pos
1	Markus SOE	?	REI		10	10	2	20	1
2	Timurs ISAKOVS	?	Lido				0	0	3
3	Artemi JEREMEJEV	?	Dodze		10		1	10	2

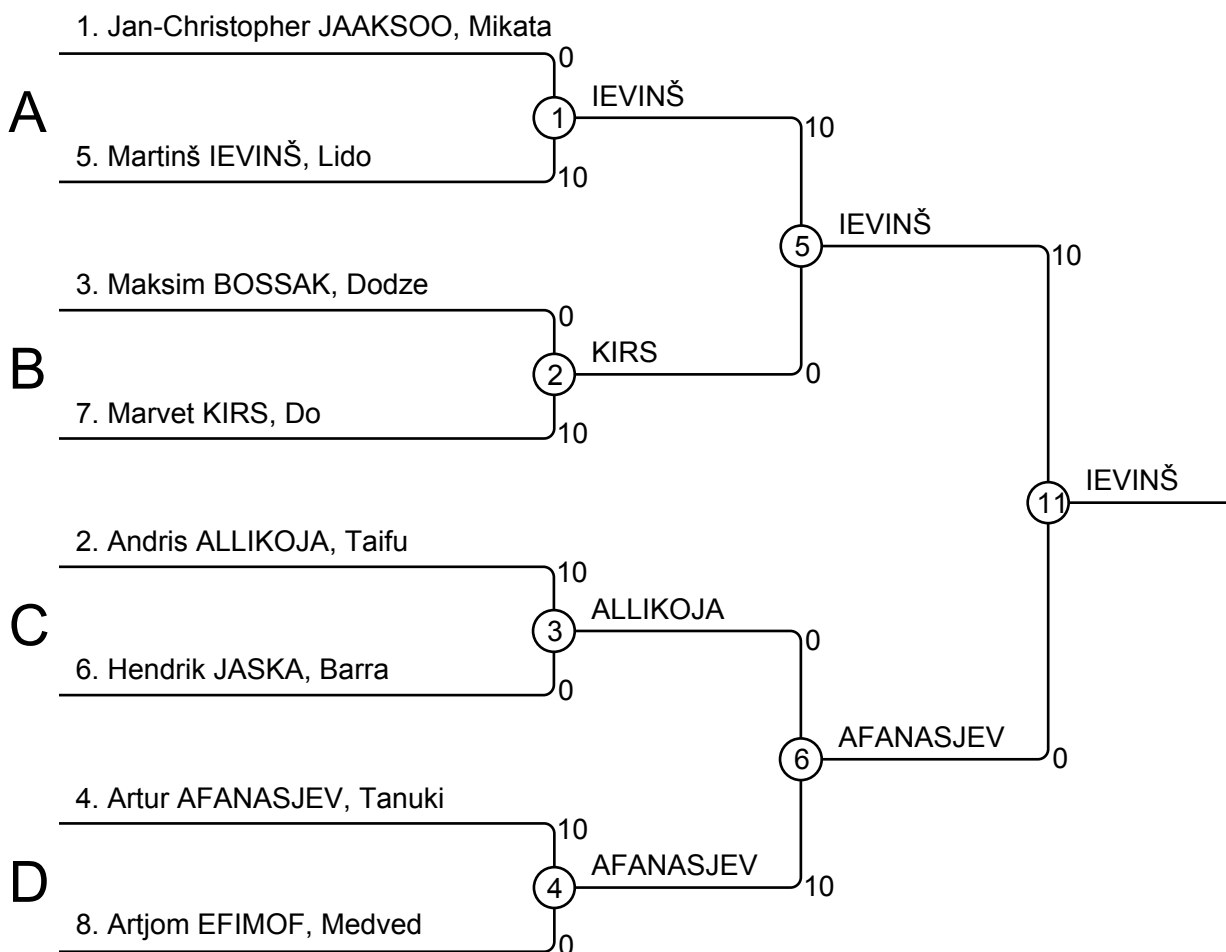
## Matches

Match	White			Blue	Result	Time
1	Markus SOE	1	2	Timurs ISAKOVS	10 - 0	0:00
2	Markus SOE	1	3	Artemi JEREMEJEV	10 - 0	0:00
3	Timurs ISAKOVS	2	3	Artemi JEREMEJEV	0 - 10	0:00

## Results

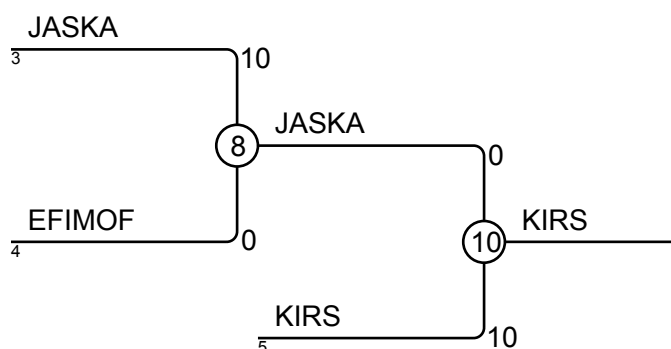
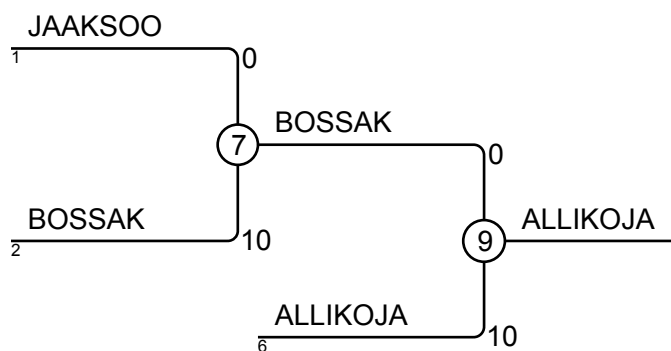
Pos	Name
1	Markus SOE, REI
2	Artemi JEREMEJEV, Dodze
3	Timurs ISAKOVS, Lido





## Results

Pos	Name
1	Martinš IEVINŠ, Lido
2	Artur AFANASJEV, Tanuki
3	Andris ALLIKOJA, Taifu
3	Marvet KIRS, Do
5	Maksim BOSSAK, Dodze
5	Hendrik JASKA, Barra
7	Jan-Christopher JAAKSOO, Mikata
7	Artjom EFIMOF, Medved



## Competitors

#	Name	Grade	Club	1	2	3	Wins	Pts	Pos
1	Sten TROMMEL	?	REI		10	10	2	20	1
2	Trevor VÄRVA	?	Mikata				0	0	3
3	Karl-Martin VALDRE	?	Audentes		10		1	10	2

## Matches

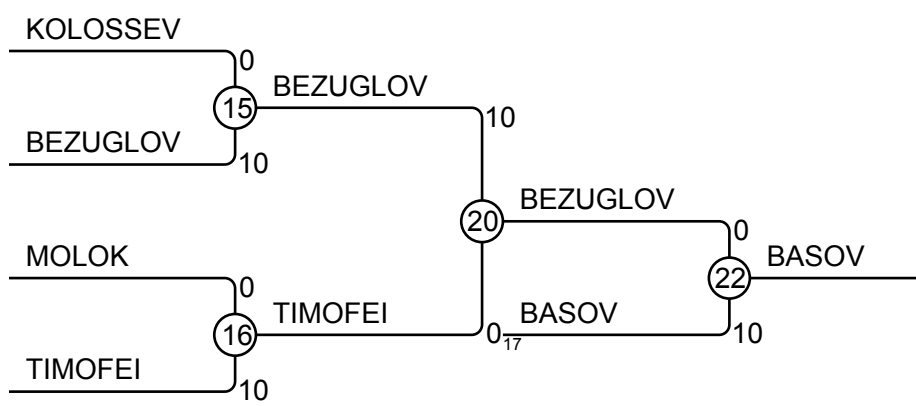
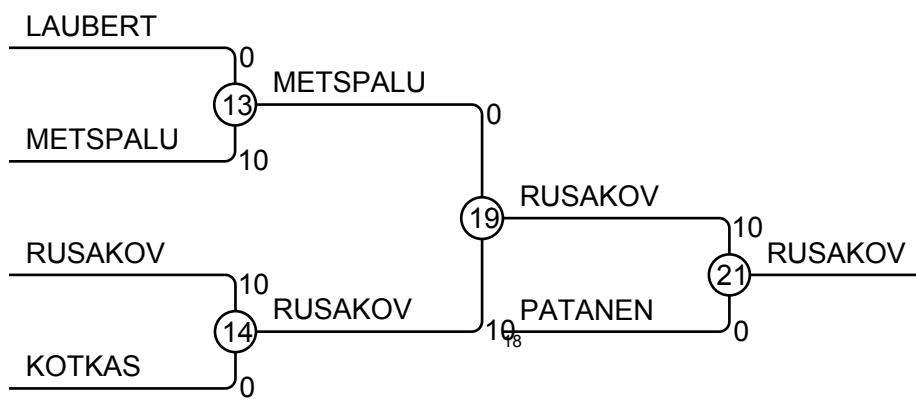
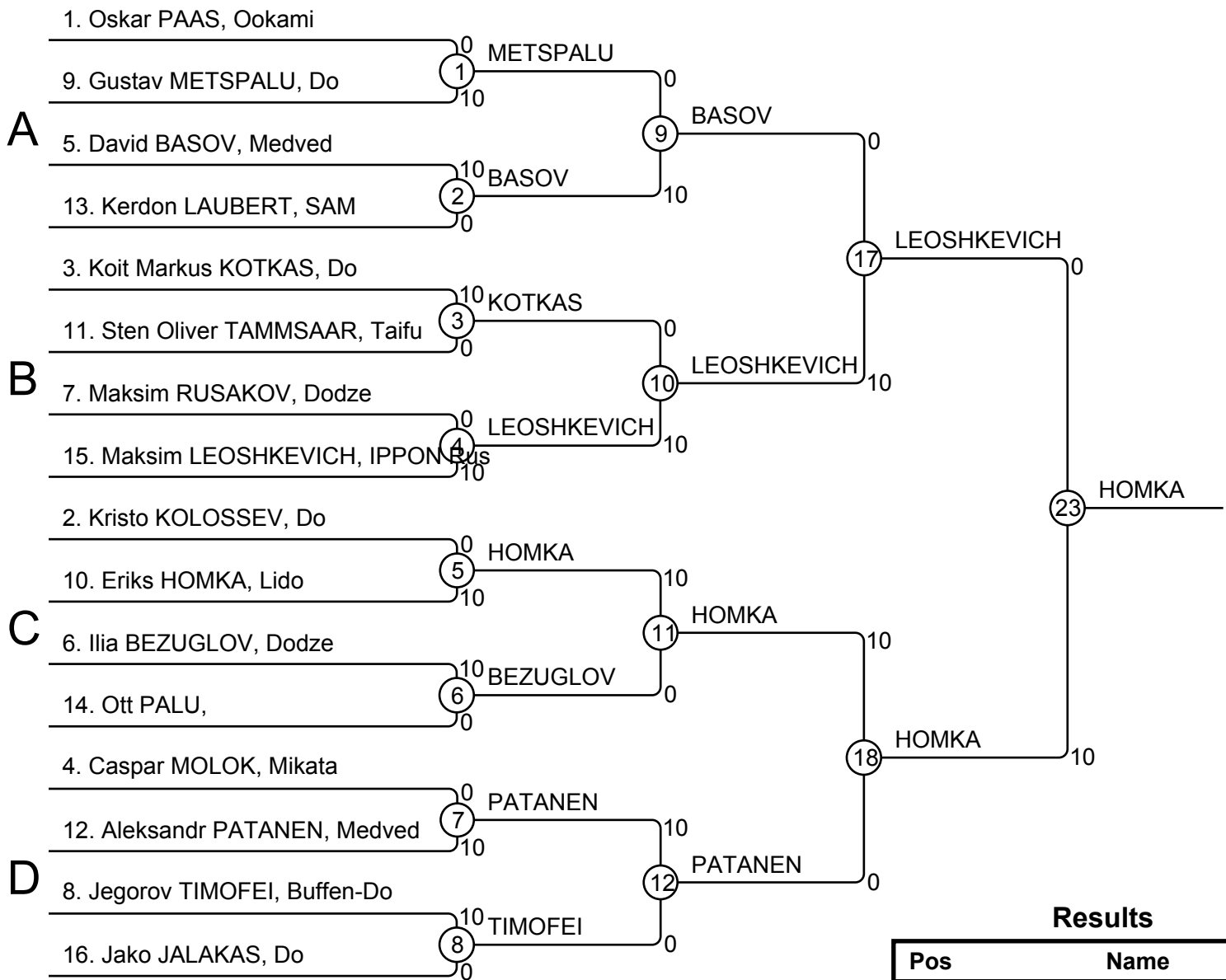
Match	White	Blue	Result	Time
1	Sten TROMMEL	1 2 Trevor VÄRVA	10 - 0	0:00
2	Sten TROMMEL	1 3 Karl-Martin VALDRE	10 - 0	0:00
3	Trevor VÄRVA	2 3 Karl-Martin VALDRE	0 - 10	0:00

## Results

Pos	Name
1	Sten TROMMEL, REI
2	Karl-Martin VALDRE, Audentes
3	Trevor VÄRVA, Mikata

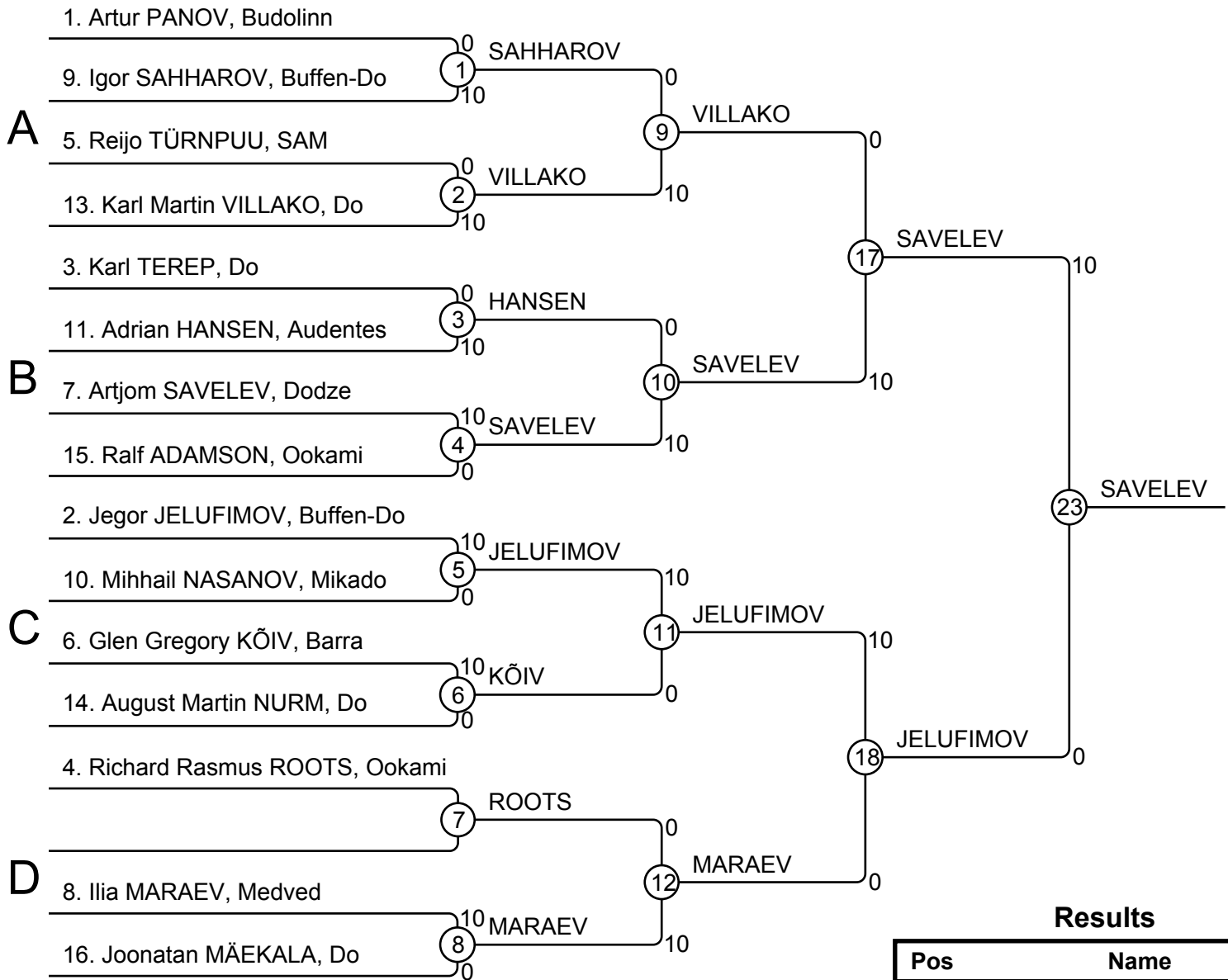
# XV International Autumn Tournament 7.10.2017 EB -30

Competitors: 16



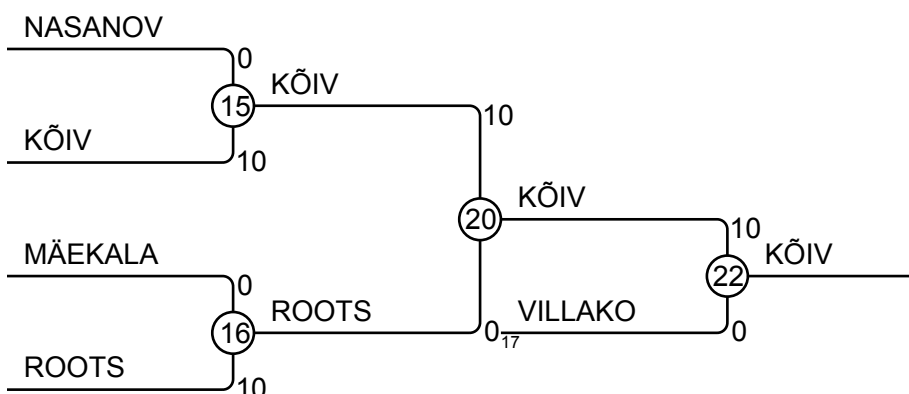
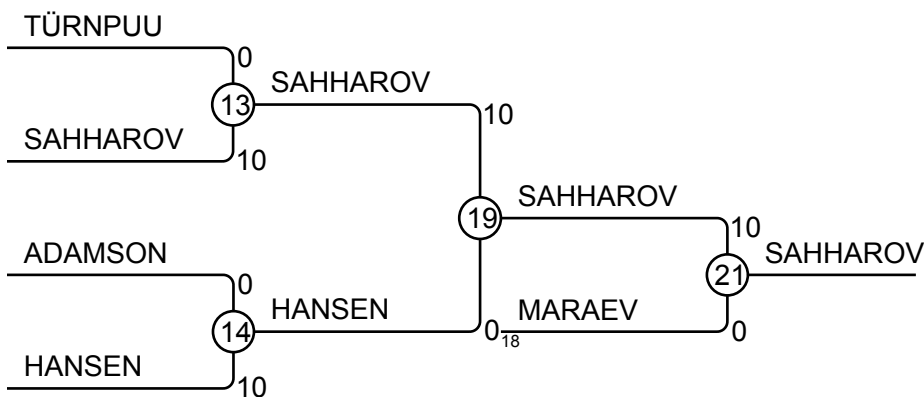
## Results

Pos	Name
1	Eriks HOMKA, Lido
2	Maksim LEOSHKEVICH, IPPON Rus
3	Maksim RUSAKOV, Dodze
3	David BASOV, Medved
5	Aleksandr PATANEN, Medved
5	Ilia BEZUGLOV, Dodze
7	Gustav METSPALU, Do
7	Jegorov TIMOFEI, Buffen-Do



## Results

Pos	Name
1	Artjom SAVELEV, Dodze
2	Jegor JELUFIMOV, Buffen-Do
3	Igor SAHHAROV, Buffen-Do
3	Glen Gregory KÕIV, Barra
5	Ilia MARAEV, Medved
5	Karl Martin VILLAKO, Do
7	Adrian HANSEN, Audentes
7	Richard Rasmus ROOTS, Ookami



# XV International Autumn Tournament 7.10.2017 EB -38

Competitors: 7

## Competitors A

#	Name	Grade	Club	1	2	3	4	Wins	Pts	Pos
1	Markus VÄLJATAGA	?	Mikata					0	0	4
2	Ken Marten SAAR	?	Do	10		7	10	3	27	1
3	Sergei KAPUSTJOKS	?	Bondarenko	10			7	2	17	2
4	Demis ANUŠEV	?	Afina	10				1	10	3

## Matches A

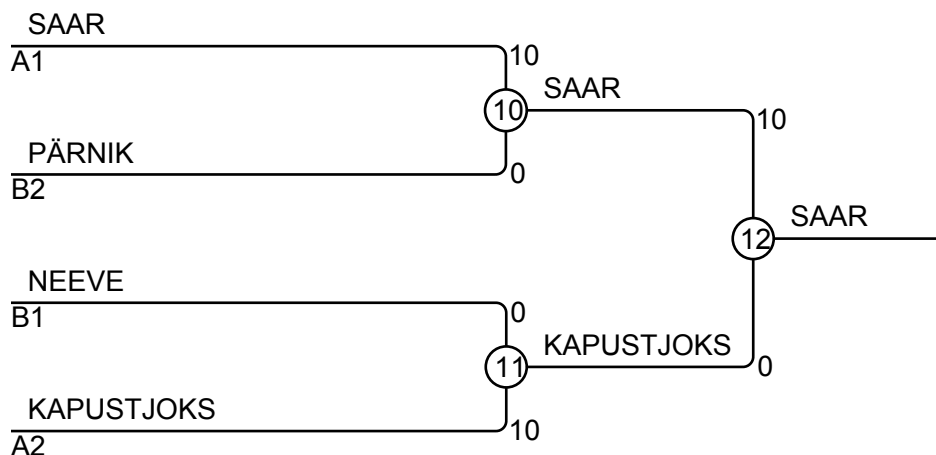
Match	White	Blue	Result	Time
1	Markus VÄLJATAGA 1 2	Ken Marten SAAR	0 - 10	0:00
2	Sergei KAPUSTJOKS 3 4	Demis ANUŠEV	7 - 0	0:00
4	Markus VÄLJATAGA 1 3	Sergei KAPUSTJOKS	0 - 10	0:00
5	Ken Marten SAAR 2 4	Demis ANUŠEV	10 - 0	0:00
7	Markus VÄLJATAGA 1 4	Demis ANUŠEV	0 - 10	0:00
8	Ken Marten SAAR 2 3	Sergei KAPUSTJOKS	7 - 0	0:00

## Competitors B

#	Name	Grade	Club	5	6	7	Wins	Pts	Pos
5	Anri NEEVE	?	REI		10	10	2	20	1
6	Martin TOOMIK	?	Mikata				0	0	3
7	Kristjan PÄRNIK	?	Tanuki		10		1	10	2

## Matches B

Match	White	Blue	Result	Time
3	Anri NEEVE 5 6	Martin TOOMIK	10 - 0	0:00
6	Anri NEEVE 5 7	Kristjan PÄRNIK	10 - 0	0:00
9	Martin TOOMIK 6 7	Kristjan PÄRNIK	0 - 10	0:00



## Results

Pos	Name
1	Ken Marten SAAR, Do
2	Sergei KAPUSTJOKS, Bondarenko
3	Kristjan PÄRNIK, Tanuki
3	Anri NEEVE, REI

# XV International Autumn Tournament 7.10.2017

# EG +26

Competitors: 3

## Competitors

#	Name	Grade	Club	1	2	3	Wins	Pts	Pos
1	Marta ARSENTJEVA	?	Bondarenko		10	10	2	20	1
2	Eva POONE	?	Mikata				0	0	3
3	Kristjana PALMIK	?	Ookami		10		1	10	2

## Matches

Match	White			Blue	Result	Time
1	Marta ARSENTJEVA	1	2	Eva POONE	10 - 0	0:00
2	Marta ARSENTJEVA	1	3	Kristjana PALMIK	10 - 0	0:00
3	Eva POONE	2	3	Kristjana PALMIK	0 - 10	0:00

## Results

Pos	Name
1	Marta ARSENTJEVA, Bondarenko
2	Kristjana PALMIK, Ookami
3	Eva POONE, Mikata

# XV International Autumn Tournament 7.10.2017 EG -26

Competitors: 2

## Competitors

#	Name	Grade	Club	1	2	1	2	1	2	Wins	Pts	Pos
1	Marleen KIRS	?	Do							0	0	2
2	Gediryng RAE	?	Samurai	10		10				2	20	1

## Matches

Match	White		Blue	Result	Time
1	Marleen KIRS	1 2	Gediryng RAE	0 - 10	0:00
2	Marleen KIRS	1 2	Gediryng RAE	0 - 10	0:00
3	Marleen KIRS	1 2	Gediryng RAE		

## Results

Pos	Name
1	Gediryng RAE, Samurai
2	Marleen KIRS, Do