

VI Vladimir Klinkov memorial 02.03.2019 Tallinn U14 -30

Competitors

Competitors: 3

#	Name	Grade	Club	1	2	3	Wins	Pts	Pos
1	BACHMANN Kristian (30,00)	?	EST/Audentes				0	0	3
2	STESEKOTIN Filipp (32,20)	?	EST/Audentes	10			1	10	2
3	BABAYEV Samir (30,00)	?	FIN/Magas	10	10		2	20	1

Matches

Match	White	Blue	Result	Time
1	BACHMANN Kristian	1 2 STESEKOTIN Filipp	00s3-10s2	3:25
2	BACHMANN Kristian	1 3 BABAYEV Samir	00s1-10s1	3:00
3	STESEKOTIN Filipp	2 3 BABAYEV Samir	01s1-10s1	4:18

Results

Pos	Name
1	BABAYEV Samir, FIN/Magas
2	STESEKOTIN Filipp, EST/Audentes
3	BACHMANN Kristian, EST/Audentes

VI Vladimir Klinkov memorial 02.03.2019 Tallinn U14 -38

Competitors

Competitors: 4

#	Name	Grade	Club	1	2	3	4	Wins	Pts	Pos
1	JAKIMOV Robert (37,90)	?	EST/Audentes		10	10		2	20	2
2	GROMOV Ruslan (36,90)	?	EST/Budolinn			10		1	10	3
3	TAMMI Gleb (35,80)	?	FIN/Magas					0	0	4
4	CELADINS Nikita (37,10)	5.kyu	LAT/Lido	10	10	10		3	30	1

Matches

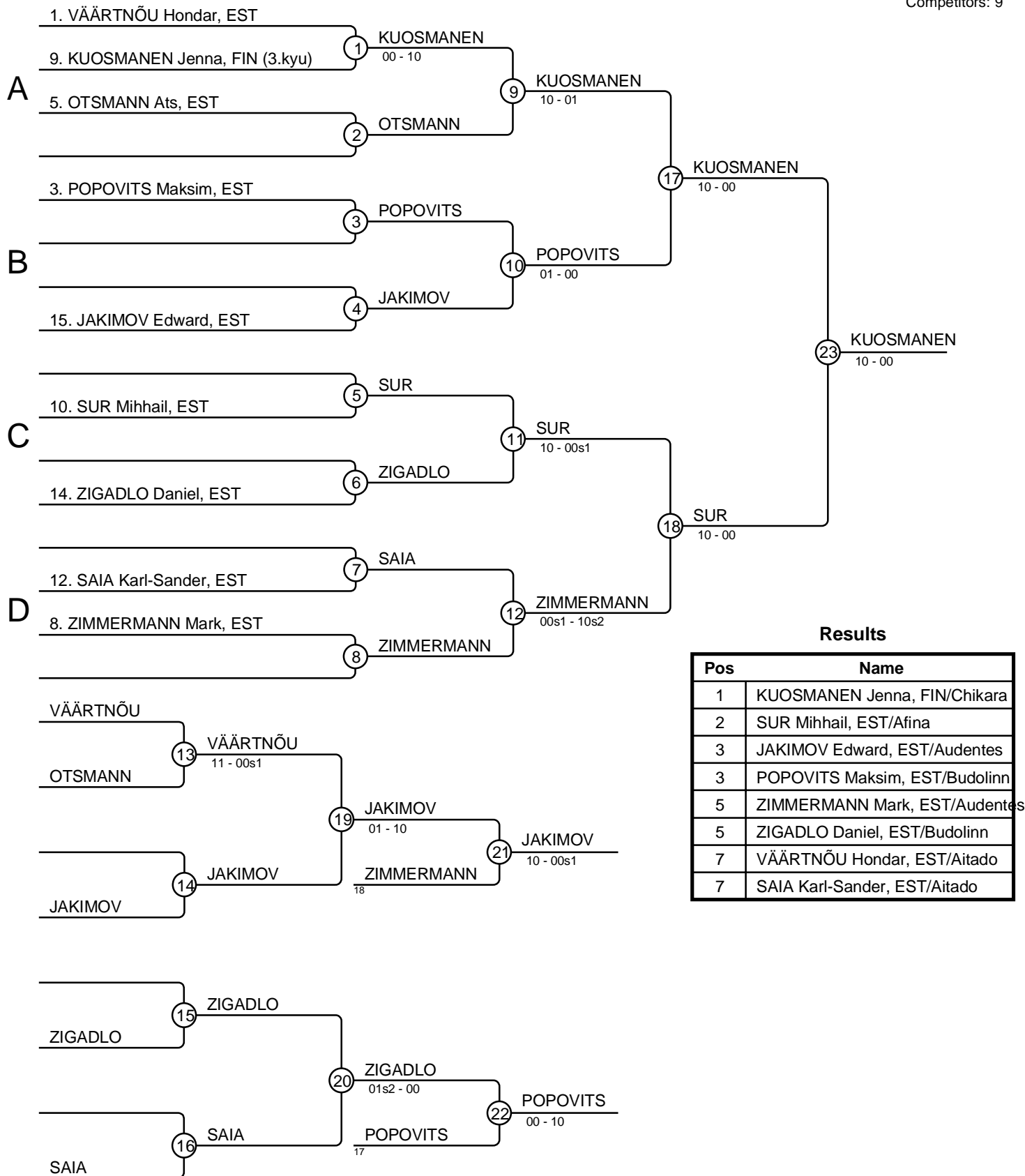
Match	White	Blue	Result	Time
1	JAKIMOV Robert	1 2 GROMOV Ruslan	10-00	1:09
2	TAMMI Gleb	3 4 CELADINS Nikita	00-10	0:44
3	JAKIMOV Robert	1 3 TAMMI Gleb	10s1-00s3	3:43
4	GROMOV Ruslan	2 4 CELADINS Nikita	00-10	0:28
5	JAKIMOV Robert	1 4 CELADINS Nikita	00-10	0:20
6	GROMOV Ruslan	2 3 TAMMI Gleb	11-00s3	2:37

Results

Pos	Name
1	CELADINS Nikita, LAT/Lido
2	JAKIMOV Robert, EST/Audentes
3	GROMOV Ruslan, EST/Budolinn
4	TAMMI Gleb, FIN/Magas

VI Vladimir Klinkov memorial 02.03.2019 Tallinn U14 -42

Competitors: 9



VI Vladimir Klinkov memorial 02.03.2019 Tallinn U14 -46

Competitors

Competitors: 4

#	Name	Grade	Club	1	2	3	4	Wins	Pts	Pos
1	KOMIN Kirill (45,90)	?	EST/Audentes			10		1	10	3
2	DIKAJEV Saad (43,60)	?	EST/Audentes	10		10	10	3	30	1
3	JEKIMOV Fjodor (45,30)	?	EST/Budolinn				10	1	10	4
4	KALJAKIN Andrei (43,30)	5.kyu	EST/M-dojo	10				1	10	2

Matches

Match	White	Blue	Result	Time
1	KOMIN Kirill	1 2 DIKAJEV Saad	00-11	1:30
2	JEKIMOV Fjodor	3 4 KALJAKIN Andrei	10s2-00s3	2:01
3	KOMIN Kirill	1 3 JEKIMOV Fjodor	10-00s3	1:24
4	DIKAJEV Saad	2 4 KALJAKIN Andrei	10-00	0:53
5	KOMIN Kirill	1 4 KALJAKIN Andrei	00s1-10s1	1:00
6	DIKAJEV Saad	2 3 JEKIMOV Fjodor	10-00	0:47

Results

Pos	Name
1	DIKAJEV Saad, EST/Audentes
2	KALJAKIN Andrei, EST/M-dojo
3	KOMIN Kirill, EST/Audentes
4	JEKIMOV Fjodor, EST/Budolinn

VI Vladimir Klinkov memorial 02.03.2019 Tallinn U14 -50

Competitors

Competitors: 4

#	Name	Grade	Club	1	2	3	4	Wins	Pts	Pos
1	PERTELSON Kristofer (49,80)	?	FIN/Chikara			10	10	2	20	2
2	MYLLYLÄ Riina (49,70)	?	FIN/Chikara	10		10	10	3	30	1
3	KORSTEN Artjom (48,30)	?	EST/Budolinn					0	0	4
4	MAKAJEV Daniil (49,20)	?	EST/ibuvits			10		1	10	3

Matches

Match	White	Grade	Blue	Result	Time
1	PERTELSON Kristofer	1 2	MYLLYLÄ Riina	00-10	1:24
2	KORSTEN Artjom	3 4	MAKAJEV Daniil	00-11s1	0:35
3	PERTELSON Kristofer	1 3	KORSTEN Artjom	10-00	0:27
4	MYLLYLÄ Riina	2 4	MAKAJEV Daniil	10-00	0:20
5	PERTELSON Kristofer	1 4	MAKAJEV Daniil	10-00s1	0:33
6	MYLLYLÄ Riina	2 3	KORSTEN Artjom	10-00	0:11

Results

Pos	Name
1	MYLLYLÄ Riina, FIN/Chikara
2	PERTELSON Kristofer, FIN/Chikara
3	MAKAJEV Daniil, EST/ibuvits
4	KORSTEN Artjom, EST/Budolinn

VI Vladimir Klinkov memorial 02.03.2019 Tallinn U14 -55

Competitors A

Competitors: 6

#	Name	Grade	Club	1	2	3	Wins	Pts	Pos
1	MENDELSSON Sebastian (52,20)	?	EST/Budolinn				0	0	3
2	BASTMAN Sebastian (54,00)	?	FIN/Ahjo Training Center	1			1	1	2
3	JOLKIN Nikita (52,10)	?	EST/Audentes	10	10		2	20	1

Matches A

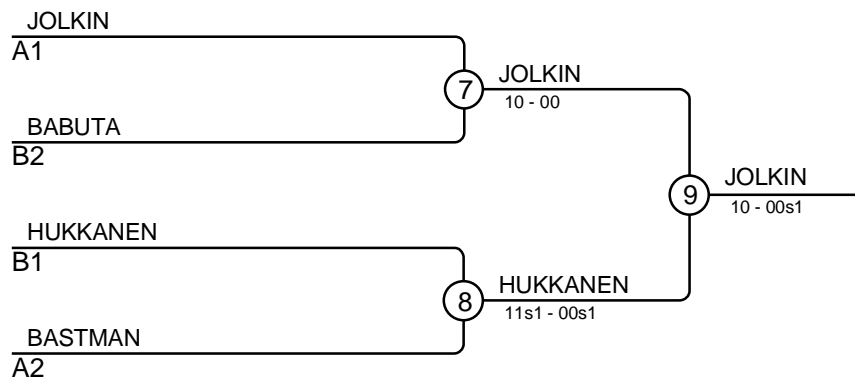
Match	White	Blue	Result	Time
1	MENDELSSON Sebastian	1 2 BASTMAN Sebastian	00-01	3:17
3	MENDELSSON Sebastian	1 3 JOLKIN Nikita	00-10	0:27
5	BASTMAN Sebastian	2 3 JOLKIN Nikita	00-10	0:36

Competitors B

#	Name	Grade	Club	4	5	6	Wins	Pts	Pos
4	BABUTA Pavel (52,20)	?	EST/Budolinn		10		1	10	2
5	KOTSEV Nikolai (51,10)	?	EST/Nais				0	0	3
6	HUKKANEN Aleksii (55,00)	?	FIN/Chikara	10	10		2	20	1

Matches B

Match	White	Blue	Result	Time
2	BABUTA Pavel	4 5 KOTSEV Nikolai	10-00	0:11
4	BABUTA Pavel	4 6 HUKKANEN Aleksii	00-10	0:25
6	KOTSEV Nikolai	5 6 HUKKANEN Aleksii	00-10	0:45



Results

Pos	Name
1	JOLKIN Nikita, EST/Audentes
2	HUKKANEN Aleksii, FIN/Chikara
3	BABUTA Pavel, EST/Budolinn
3	BASTMAN Sebastian, FIN/Ahjo Training Center

VI Vladimir Klinkov memorial 02.03.2019 Tallinn U14 -62

Competitors

Competitors: 3

#	Name	Grade	Club	1	2	3	Wins	Pts	Pos
1	VOLODIN Maksim (61,80)	?	EST/Budolinn				0	0	3
2	VORONOV Mihail (60,90)	3.kyu	EST/Dvigatel	10			1	10	2
3	NEDVEDSKI Jegor (59,50)	?	EST/Audentes	10	10		2	20	1

Matches

Match	White	Blue	Result	Time
1	VOLODIN Maksim	1 2 VORONOV Mihail	00-10	1:13
2	VOLODIN Maksim	1 3 NEDVEDSKI Jegor	01s1-10	2:56
3	VORONOV Mihail	2 3 NEDVEDSKI Jegor	01-10	2:50

Results

Pos	Name
1	NEDVEDSKI Jegor, EST/Audentes
2	VORONOV Mihail, EST/Dvigatel
3	VOLODIN Maksim, EST/Budolinn

VI Vladimir Klinkov memorial 02.03.2019 Tallinn U14 +62

Competitors A

Competitors: 6

#	Name	Grade	Club	1	2	3	Wins	Pts	Pos
1	GASOV Ivan (69,00)	4.kyu	EST/Naiss			10	1	10	2
2	NISKANEN Nooa (67,10)	?	FIN/Ahjo Training Center	10		10	2	20	1
3	MATVEJEV Demid (79,00)	?	EST/Energia/Bufen-do				0	0	3

Matches A

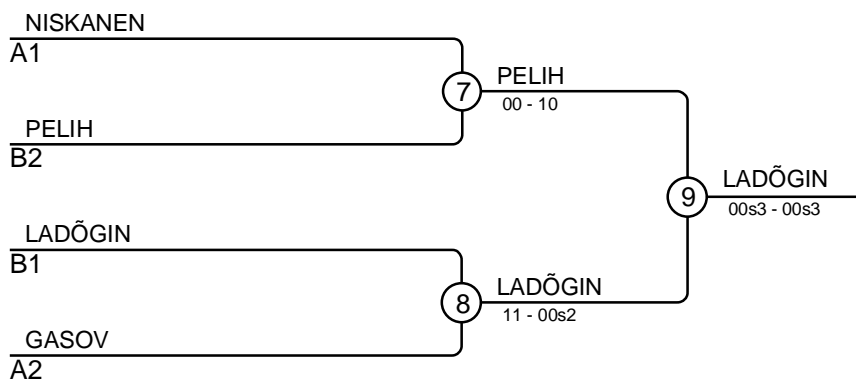
Match	White	Blue	Result	Time
1	GASOV Ivan	1 2 NISKANEN Nooa	00-11s1	1:20
3	GASOV Ivan	1 3 MATVEJEV Demid	11-00s2	1:49
5	NISKANEN Nooa	2 3 MATVEJEV Demid	10-00	1:08

Competitors B

#	Name	Grade	Club	4	5	6	Wins	Pts	Pos
4	LADÕGIN Jevgeni (71,10)	?	EST/Audentes		1	10	2	11	1
5	ALEKSEJEV Artur (65,10)	?	EST/Energia/Bufen-do				0	0	3
6	PELIH Kirill (78,30)	?	EST/Kibuvits		10		1	10	2

Matches B

Match	White	Blue	Result	Time
2	LADÕGIN Jevgeni	4 5 ALEKSEJEV Artur	01-00s1	4:47
4	LADÕGIN Jevgeni	4 6 PELIH Kirill	10s1-00s3	7:45
6	ALEKSEJEV Artur	5 6 PELIH Kirill	00-10	0:37



Results

Pos	Name
1	
2	
3	
3	