

Audentes International Cup 13.04.2019 Tallinn U10-40kg

Competitors: 7

1. Veeti NEVALA, Finland/Porin Fudoshin;

A

5. Teder UKU-MARTIN, Estonia/Barra;

B

7. Patriks LOVNIIEKS, LAT/Kyodai

C

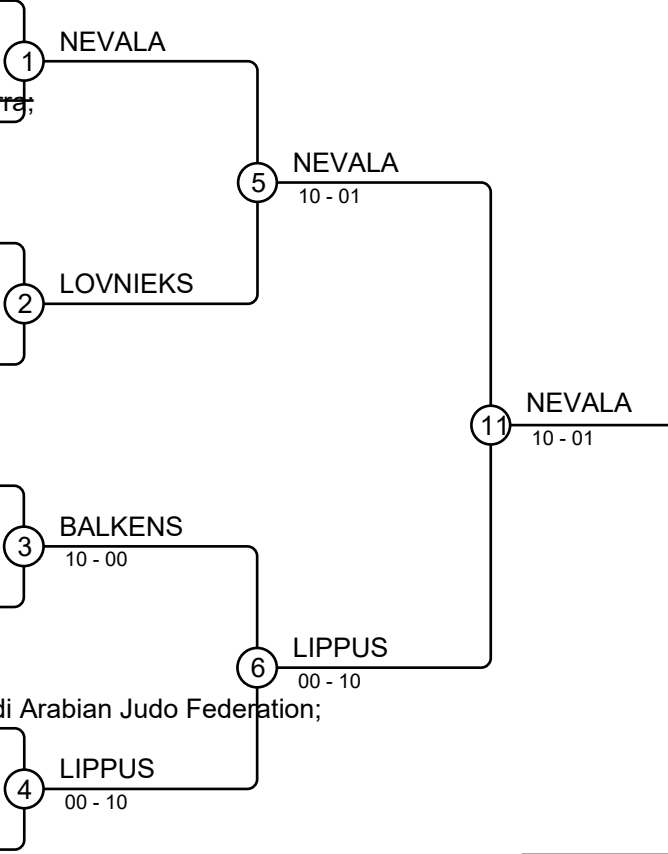
2. Enests BALKENS, Latvia/Kyodai;

6. Toom KRISTJAN, Estonia/Barra;

D

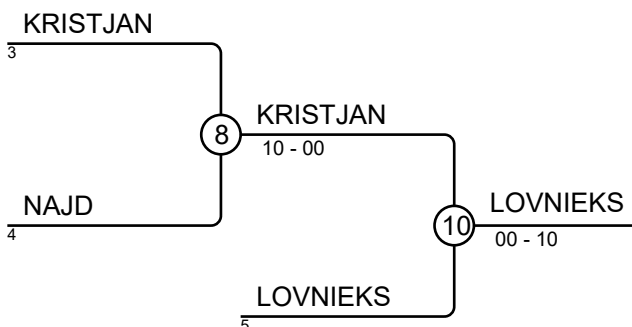
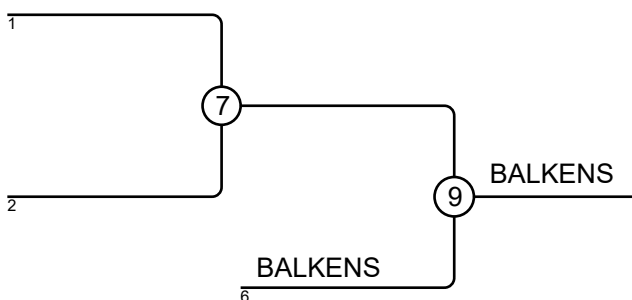
4. Almalki NAJD, Saudi Arabia/Saudi Arabian Judo Federation;

8. Hubert LIPPUS, Estonia/Barra;



Results

Pos	Name
1	Veeti NEVALA, Finland/Porin Fudoshin
2	Hubert LIPPUS, Estonia/Barra;
3	Enests BALKENS, Latvia/Kyodai;
3	Patriks LOVNIIEKS, LAT/Kyodai
5	
5	Toom KRISTJAN, Estonia/Barra;
7	
7	Almalki NAJD, Saudi Arabia/Saudi Ar



Audentes International Cup 13.04.2019 Tallinn U10-36kg

Competitors

Competitors: 3

#	Name	Grade	Club	1	2	3	Wins	Pts	Pos
1	Mihail VOLODENOK	?	Latvia/Lido;		10	10	2	20	1
2	Trävis KUUSE	?	Estonia/Barra;				0	0	3
3	August Martin NURM	?	EST/Tartu Do		10		1	10	2

Matches

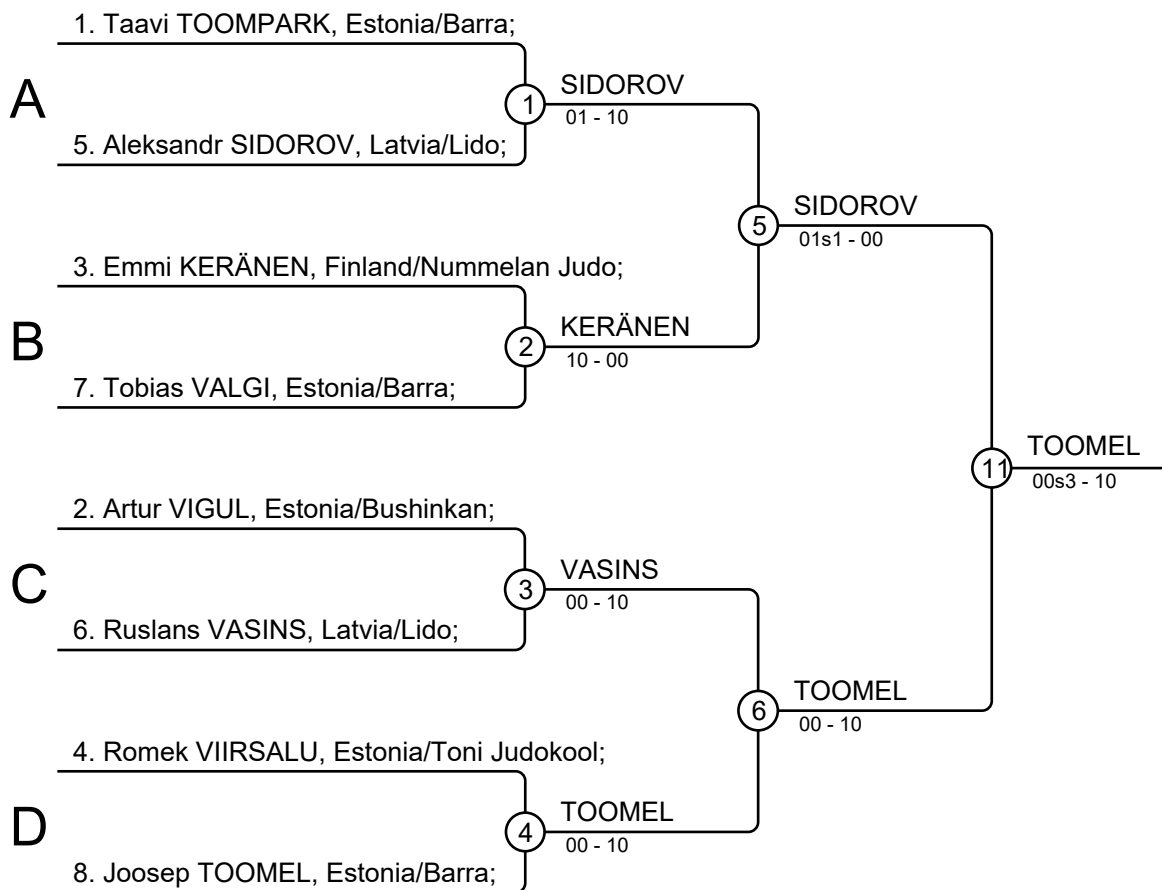
Match	White			Blue	Result	Time
1	Mihail VOLODENOK	1	2	Trävis KUUSE	10-00	0:47
2	Mihail VOLODENOK	1	3	August Martin NURM	10-00	0:55
3	Trävis KUUSE	2	3	August Martin NURM	00-10	0:38

Results

Pos	Name
1	Mihail VOLODENOK, Latvia/Lido;
2	August Martin NURM, EST/Tartu Do
3	Trävis KUUSE, Estonia/Barra;

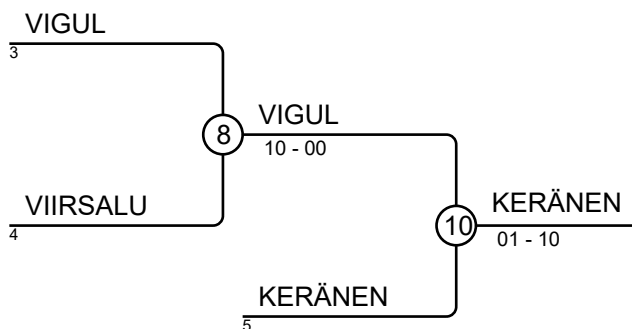
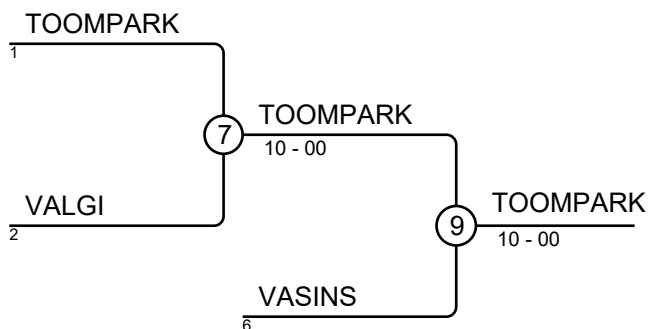
Audentes International Cup 13.04.2019 Tallinn U10-33kg

Competitors: 8



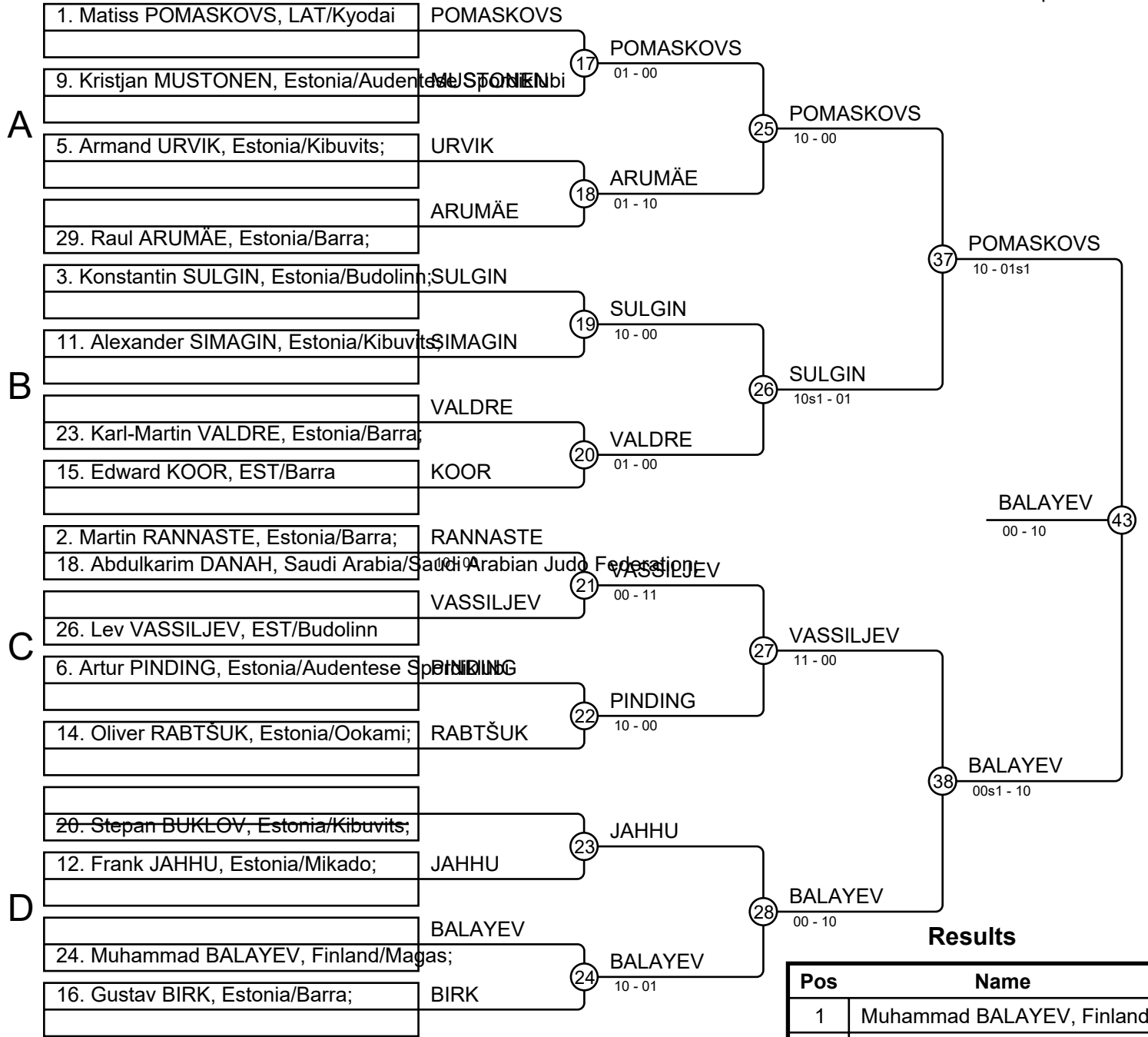
Results

Pos	Name
1	Joosep TOOMEL, Estonia/Barra;
2	Aleksandr SIDOROV, Latvia/Lido;
3	Taavi TOOMPARK, Estonia/Barra;
3	Emmi KERÄNEN, Finland/Nummelan
5	Ruslans VASINS, Latvia/Lido;
5	Artur VIGUL, Estonia/Bushinkan;
7	Tobias VALGI, Estonia/Barra;
7	Romek VIIRSALU, Estonia/Toni Judo



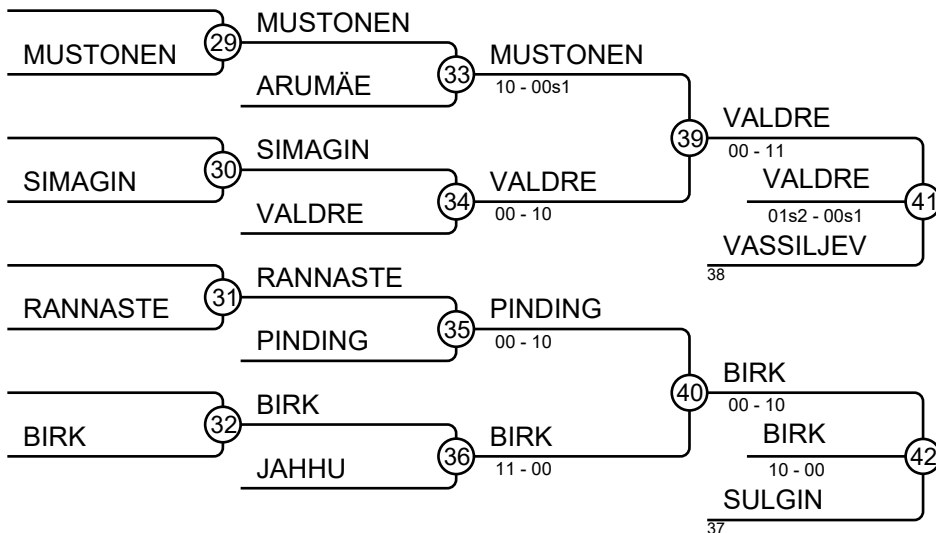
Audentes International Cup 13.04.2019 Tallinn U10-30kg

Competitors: 17



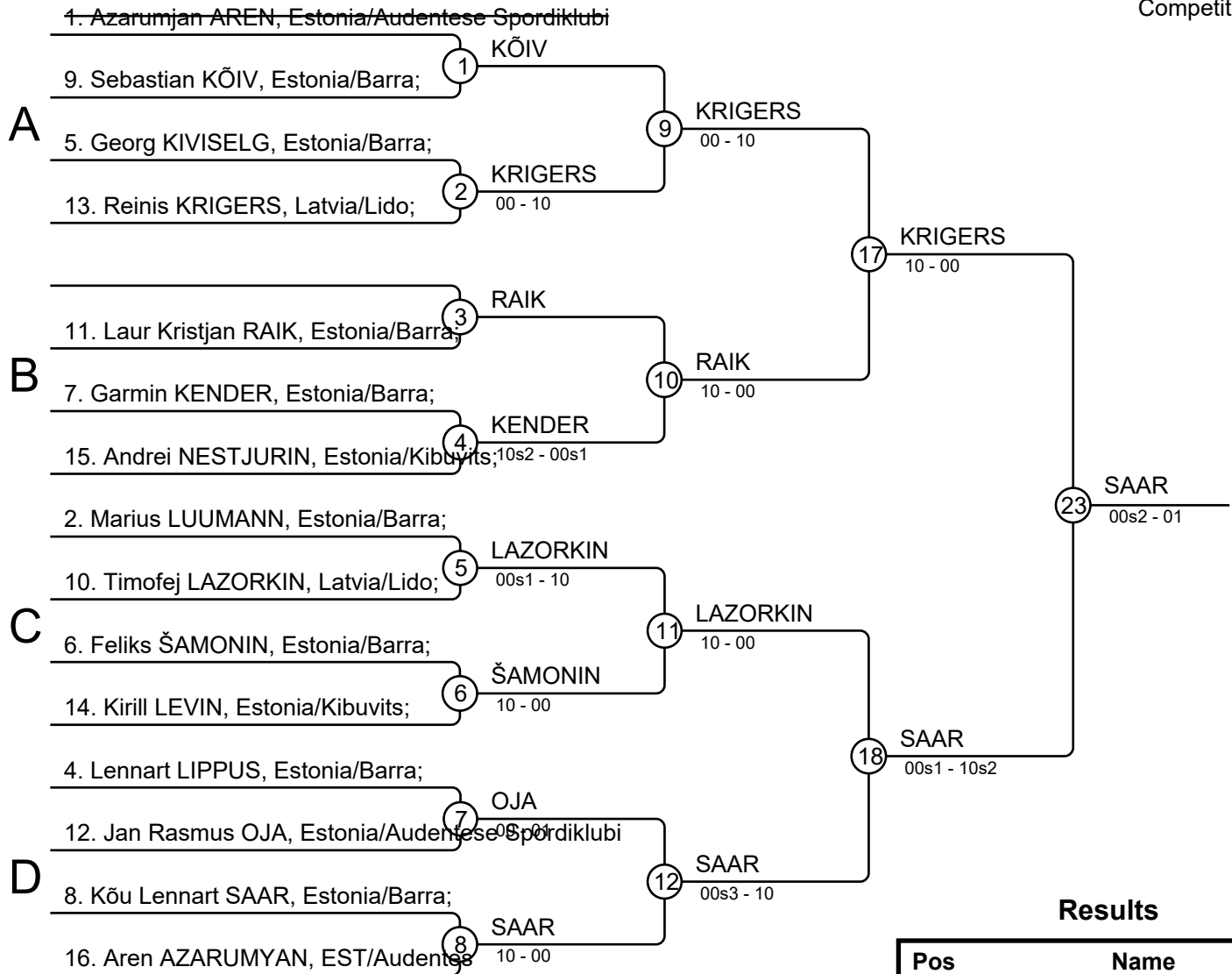
Results

Pos	Name
1	Muhammad BALAYEV, Finland/Magas;
2	Matiss POMASKOVS, LAT/Kyodai
3	Karl-Martin VALDRE, Estonia/Barra;
3	Gustav BIRK, Estonia/Barra;
5	Lev VASSILJEV, EST/Budolinn
5	Konstantin SULGIN, Estonia/Budolinn
7	Kristjan MUSTONEN, Estonia/Audentes Spordikeskus
7	Artur PINDING, Estonia/Audentes Spordikeskus



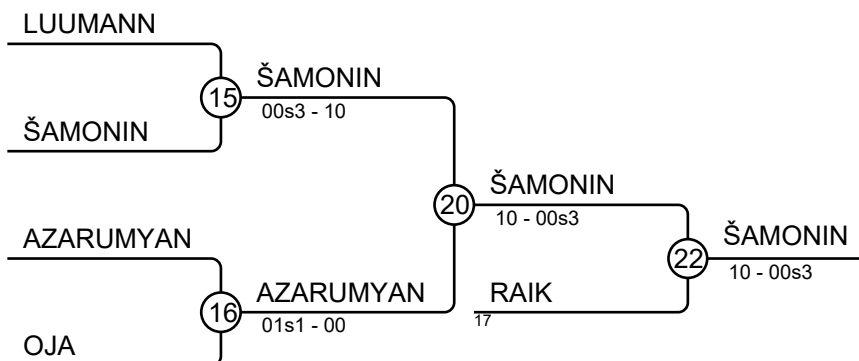
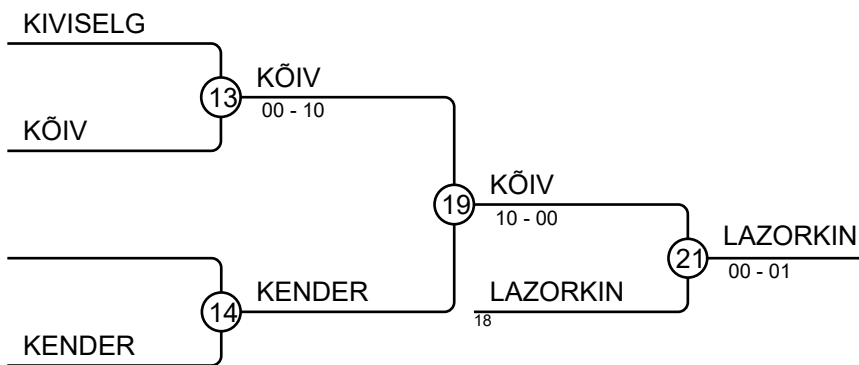
Audentes International Cup 13.04.2019 Tallinn U10-27kg

Competitors: 15



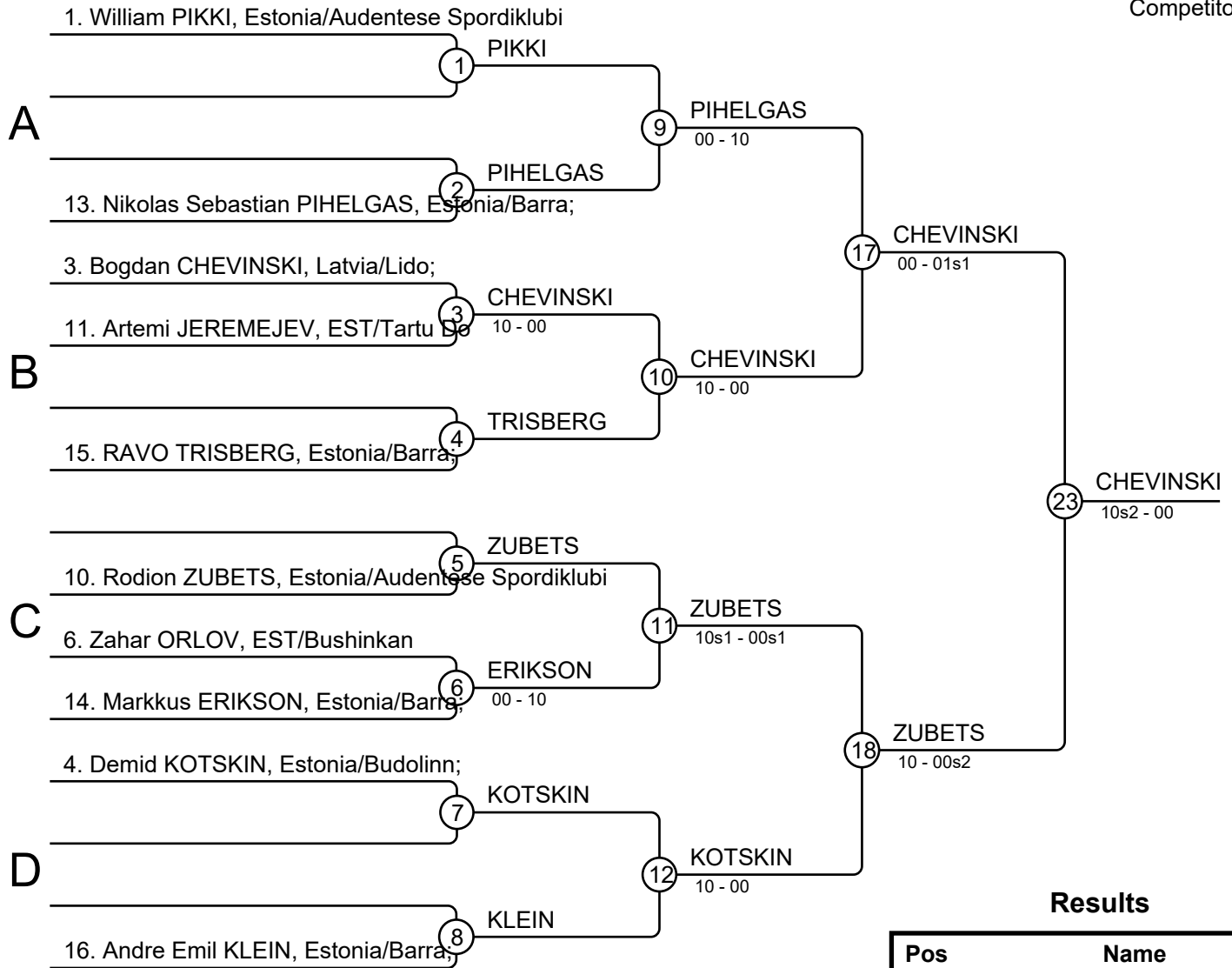
Results

Pos	Name
1	Kõu Lennart SAAR, Estonia/Barra;
2	Reinis KRIGERS, Latvia/Lido;
3	Timofej LAZORKIN, Latvia/Lido;
3	Feliks ŠAMONIN, Estonia/Barra;
5	Sebastian KÕIV, Estonia/Barra;
5	Laur Kristjan RAIK, Estonia/Barra;
7	Garmin KENDER, Estonia/Barra;
7	Aren AZARUMYAN, EST/Audentese Spordiklubi



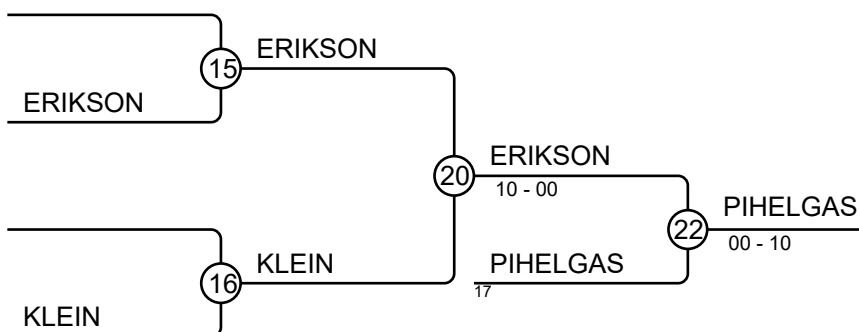
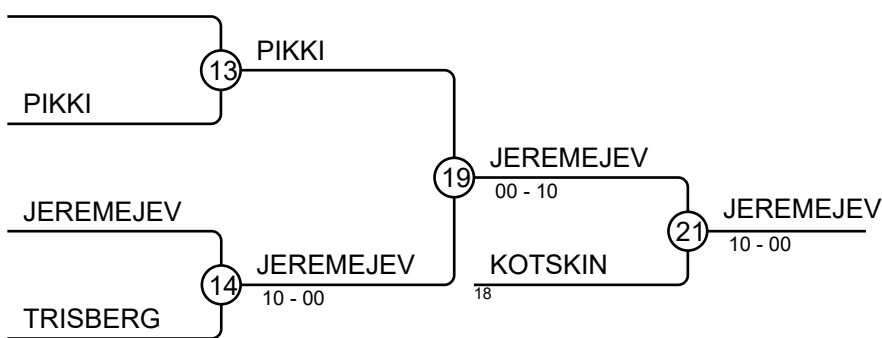
Audentes International Cup 13.04.2019 Tallinn U10-25kg

Competitors: 10



Results

Pos	Name
1	Bogdan CHEVINSKI, Latvia/Lido;
2	Rodion ZUBETS, Estonia/Audentese
3	Artemi JEREMEJEV, EST/Tartu Do
3	Nikolas Sebastian PIHELGAS, Estoni
5	Demid KOTSKIN, Estonia/Budolinn;
5	Markkus ERIKSON, Estonia/Barra;
7	William PIKKI, Estonia/Audentese Sp
7	Andre Emil KLEIN, Estonia/Barra;



Audentes International Cup 13.04.2019 Tallinn U10+40kg

Competitors

Competitors: 5

#	Name	Grade	Club	1	2	3	4	5	Wins	Pts	Pos
1	Romet LODDES	?	Estonia/Audentese Spordiklubi	10	10	10	10		3	30	2
2	Michael ALBIN QVICK	?	EST/Budolinn			10	10		2	20	3
3	Almalki SAUD	?	Saudi Arabia/Saudi Arabian Judo Federation;						2	20	3
4	Sofia HANTSEVITS	?	Estonia/Kibuvits;						0	0	5
5	Ruben VABARNA	?	Estonia/Barra;	10	10		10		3	30	1

Matches

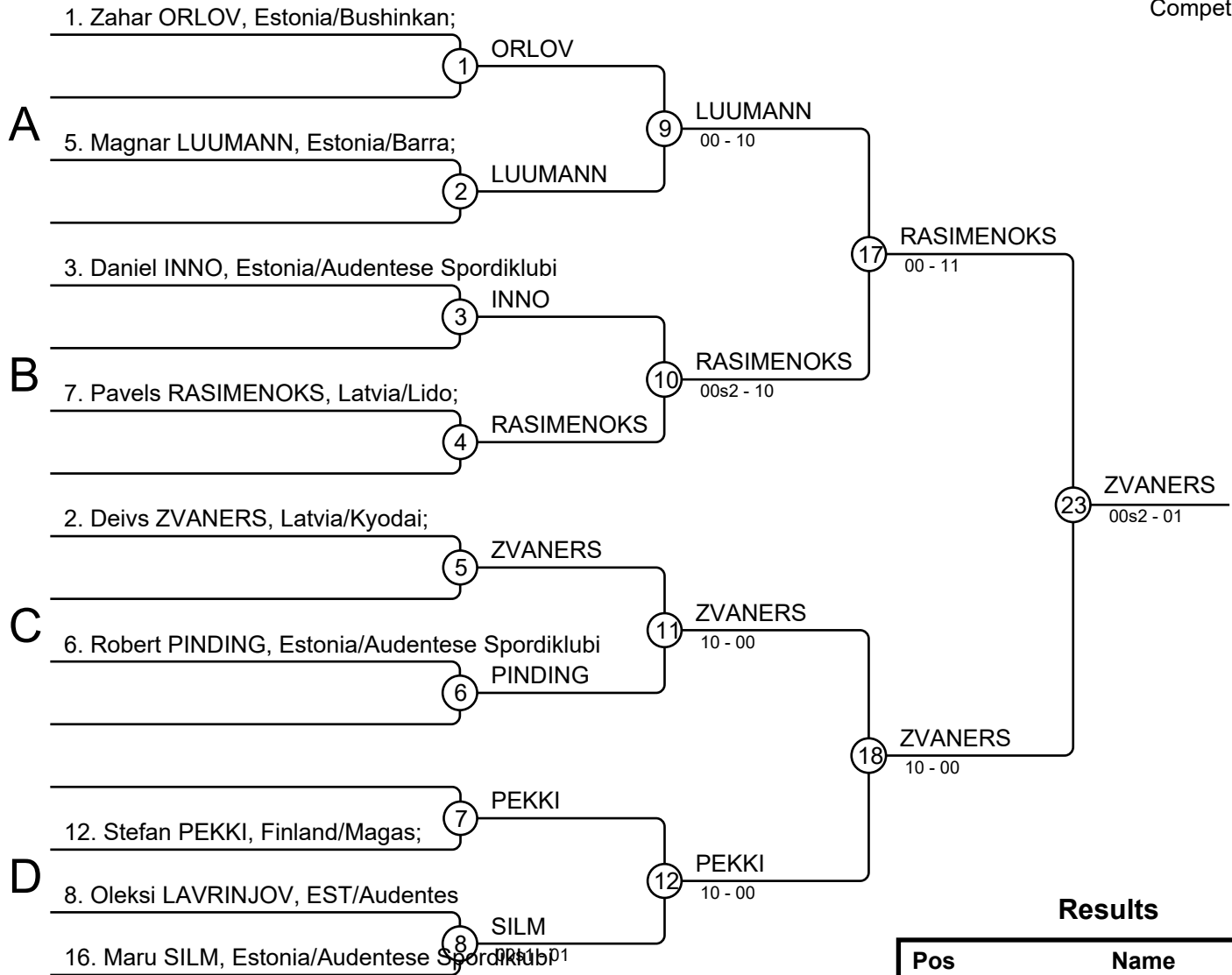
Match	White	Blue	Result	Time
1	Sofia HANTSEVITS 4 5	Ruben VABARNA	00-10	0:00
2	Romet LODDES 1 2	Michael ALBIN QVICK	10-00	0:08
3	Almalki SAUD 3 4	Sofia HANTSEVITS	10-00	0:00
4	Romet LODDES 1 5	Ruben VABARNA	01-10	1:01
5	Michael ALBIN QVICK 2 3	Almalki SAUD	10-00	0:37
6	Romet LODDES 1 4	Sofia HANTSEVITS	10-00	0:00
7	Almalki SAUD 3 5	Ruben VABARNA	10-00	0:37
8	Michael ALBIN QVICK 2 4	Sofia HANTSEVITS	10-00	0:00
9	Romet LODDES 1 3	Almalki SAUD	10-00	0:07
10	Michael ALBIN QVICK 2 5	Ruben VABARNA	00-11	0:17

Results

Pos	Name
1	Ruben VABARNA, Estonia/Barra;
2	Romet LODDES, Estonia/Audentese Spordiklubi
3	Michael ALBIN QVICK, EST/Budolinn
3	Almalki SAUD, Saudi Arabia/Saudi Arabian Judo Federation;
5	Sofia HANTSEVITS, Estonia/Kibuvits;

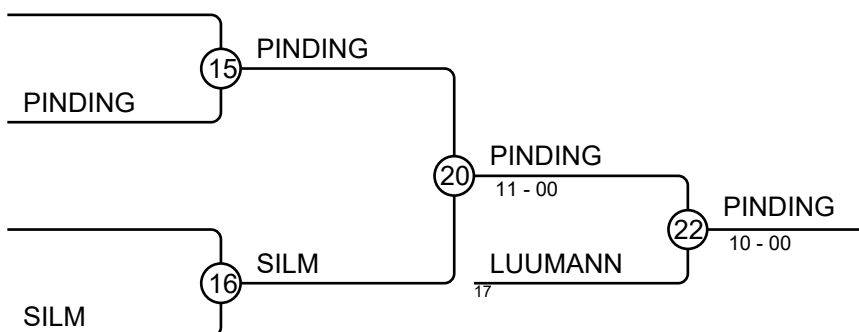
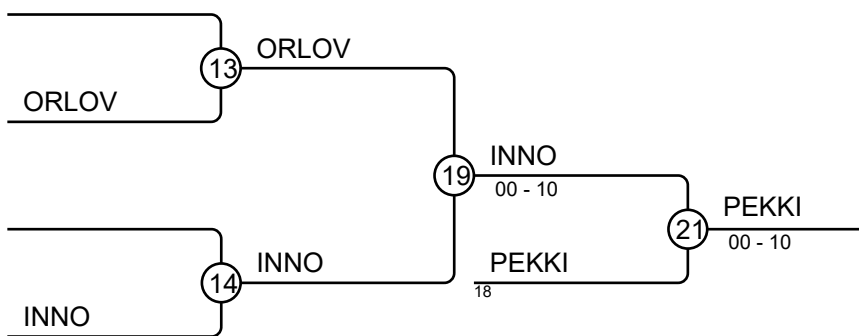
Audentes International Cup 13.04.2019 Tallinn U10 -23kg

Competitors: 9



Results

Pos	Name
1	Deivs ZVANERS, Latvia/Kyodai;
2	Pavels RASIMENOKS, Latvia/Lido;
3	Stefan PEKKI, Finland/Magas;
3	Robert PINDING, Estonia/Audentese Spordiklubi
5	Daniel INNO, Estonia/Audentese Spordiklubi
5	Magnar LUUMANN, Estonia/Barra;
7	Zahar ORLOV, Estonia/Bushinkan;
7	Maru SILM, Estonia/Audentese Spordiklubi



Audentes International Cup 13.04.2019 Tallinn GU16 -57kg

Competitors

Competitors: 3

#	Name	Grade	Club	1	2	3	Wins	Pts	Pos
1	Jekaterina BRJAKINA	?	Estonia/Audentese Spordiklubi			10	1	10	2
2	Greta KUBLICKYTE	?	LTU/LTU	10		10	2	20	1
3	Antra MUZICA	?	LAT/Kyodai				0	0	3

Matches

Match	White	Blue	Result	Time
1	Jekaterina BRJAKINA 1 2	Greta KUBLICKYTE	00-10	0:00
2	Jekaterina BRJAKINA 1 3	Antra MUZICA	10-00	0:00
3	Greta KUBLICKYTE 2 3	Antra MUZICA	10-00	0:00

Results

Pos	Name
1	Greta KUBLICKYTE, LTU/LTU
2	Jekaterina BRJAKINA, Estonia/Audentese Spordiklubi
3	Antra MUZICA, LAT/Kyodai

Audentes International Cup 13.04.2019 Tallinn GU16 -52kg

Competitors

Competitors: 4

#	Name	Grade	Club	1	2	3	4	Wins	Pts	Pos
1	Amelija BARANOVSKA	?	Latvia/Kyodai;		10		10	2	20	2
2	Isla ERKKILÄ	?	Finland/Porin Fudoshin;				1	1	1	3
3	Riina MYLLYLÄ	?	FIN/Chikara	10	10		10	3	30	1
4	Merily KOPELMAA	?	Estonia/Audru Aitado;					0	0	3

Matches

Match	White	Blue	Result	Time
1	Amelija BARANOVSKA 1 2	Isla ERKKILÄ	10-00	0:18
2	Riina MYLLYLÄ 3 4	Merily KOPELMAA	10-00	0:54
3	Amelija BARANOVSKA 1 3	Riina MYLLYLÄ	00-10	0:45
4	Isla ERKKILÄ 2 4	Merily KOPELMAA	10-00s3	3:13
5	Amelija BARANOVSKA 1 4	Merily KOPELMAA	10-00	0:07
6	Isla ERKKILÄ 2 3	Riina MYLLYLÄ	00-10	2:05

Results

Pos	Name
1	Riina MYLLYLÄ, FIN/Chikara
2	Amelija BARANOVSKA, Latvia/Kyodai;
3	Isla ERKKILÄ, Finland/Porin Fudoshin;
3	Merily KOPELMAA, Estonia/Audru Aitado;

Audentes International Cup 13.04.2019 Tallinn

GU16 -48kg

Competitors

Competitors: 1

#	Name	Grade	Club	1	Wins	Pts	Pos
1	Almalki LINA	?	Saudi Arabia/Saudi Arabian Judo Federation				

Matches

Match	White	Blue	Result	Time
-------	-------	------	--------	------

Results

Pos	Name
1	Almalki LINA, Saudi Arabia/Saudi Arabian Judo Federation;

Audentes International Cup 13.04.2019 Tallinn GU16 -44kg

Competitors

Competitors: 4

#	Name	Grade	Club	1	2	3	4	Wins	Pts	Pos
1	Anna GULITE	?	Latvia/Kyodai;		10	10	10	3	30	1
2	Jenna KUOSMANEN	?	FIN/Chikara			10	10	2	20	2
3	Anna FILIPIC	?	Slovenia/Judo Klub Acron Slovenj Gradec					1	10	3
4	Almalki ALJORI	?	Saudi Arabia/Saudi Arabian Judo Federation;					0	0	3

Matches

Match	White	White	Blue	Result	Time
1	Anna GULITE	1	Jenna KUOSMANEN	10-00s3	2:38
2	Anna FILIPIC	3	Almalki ALJORI	10-00	0:00
3	Anna GULITE	1	Anna FILIPIC	11-00	1:03
4	Jenna KUOSMANEN	2	Almalki ALJORI	10-00	0:00
5	Anna GULITE	1	Almalki ALJORI	10-00	0:00
6	Jenna KUOSMANEN	2	Anna FILIPIC	10-00	0:12

Results

Pos	Name
1	Anna GULITE, Latvia/Kyodai;
2	Jenna KUOSMANEN, FIN/Chikara
3	Anna FILIPIC, Slovenia/Judo Klub Acron Slovenj Gradec
3	Almalki ALJORI, Saudi Arabia/Saudi Arabian Judo Federation;

Audentes International Cup 13.04.2019 Tallinn GU16 +63kg

Competitors

Competitors: 4

#	Name	Grade	Club	1	2	3	4	Wins	Pts	Pos
1	Ailin BUDÕLINA	?	Estonia/Budolinn;			10		1	10	3
2	Maris PIKKMETS	?	Estonia/Audru Aitado;	10		10		2	20	2
3	Aseeri SARA	?	Saudi Arabia/Saudi Arabian Judo Federation;					0	0	3
4	Patricija BOBROVA	?	LAT/Kyodai	10	10	10		3	30	1

Matches

Match	White	Blue	Result	Time
1	Ailin BUDÕLINA	1 2 Maris PIKKMETS	00-10	0:16
2	Aseeri SARA	3 4 Patricija BOBROVA	00-10	0:15
3	Ailin BUDÕLINA	1 3 Aseeri SARA	10-00	0:00
4	Maris PIKKMETS	2 4 Patricija BOBROVA	00s1-11s1	2:48
5	Ailin BUDÕLINA	1 4 Patricija BOBROVA	00-10	0:00
6	Maris PIKKMETS	2 3 Aseeri SARA	10-00	0:35

Results

Pos	Name
1	Patricija BOBROVA, LAT/Kyodai
2	Maris PIKKMETS, Estonia/Audru Aitado;
3	Ailin BUDÕLINA, Estonia/Budolinn;
3	Aseeri SARA, Saudi Arabia/Saudi Arabian Judo Federation;

Audentes International Cup 13.04.2019 Tallinn GU14 -57kg

Competitors

Competitors: 3

#	Name	Grade	Club	1	2	3	Wins	Pts	Pos
1	Jekaterina BRJAKINA	?	Estonia/Audentese Spordiklubi	1	0	0	1	10	2
2	Antra MUZICA	?	LAT/Kyodai				0	0	3
3	Alika AVTUHOVA	?	Latvia/Spars-Ventspils;	10	1		2	11	1

Matches

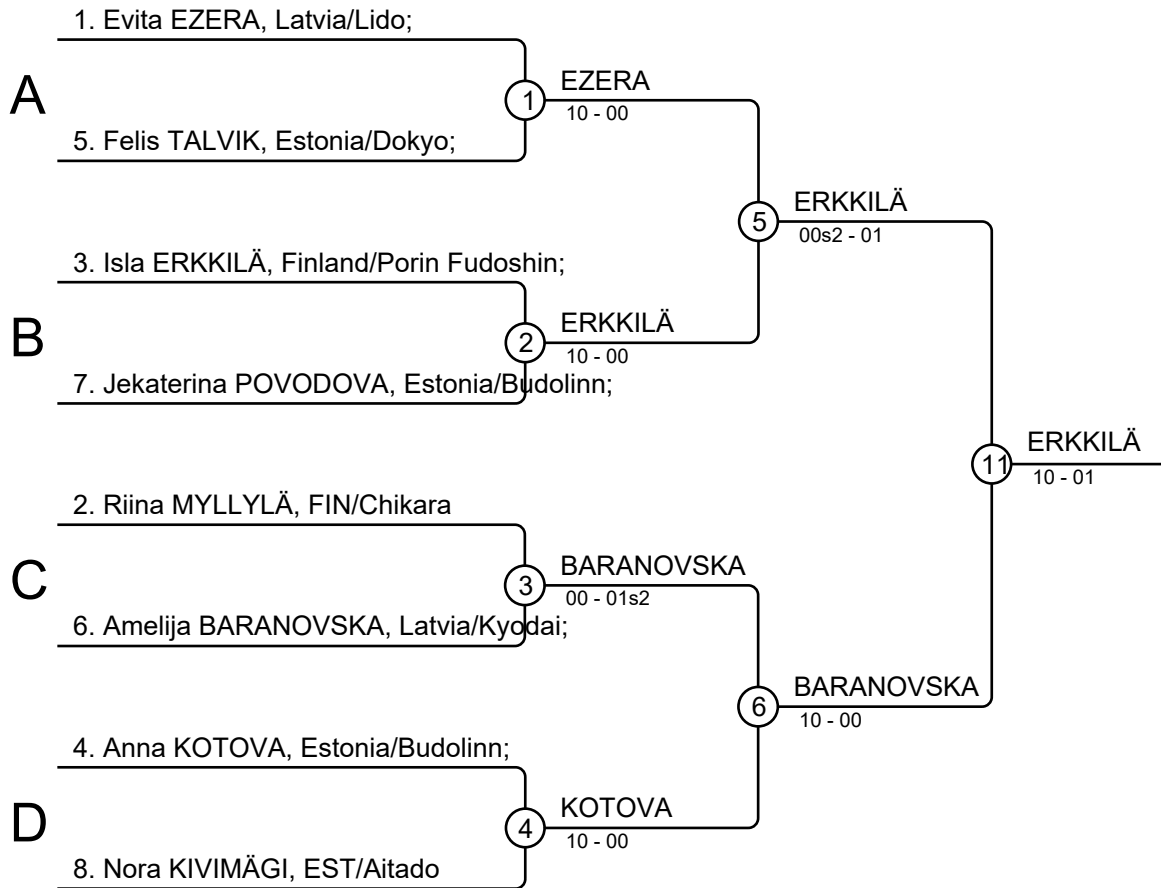
Match	White	Blue	Result	Time
1	Jekaterina BRJAKINA 1 2	Antra MUZICA	10s2-00	1:58
2	Jekaterina BRJAKINA 1 3	Alika AVTUHOVA	00-10	0:26
3	Antra MUZICA 2 3	Alika AVTUHOVA	00-01	2:10

Results

Pos	Name
1	Alika AVTUHOVA, Latvia/Spars-Ventspils;
2	Jekaterina BRJAKINA, Estonia/Audentese Spordiklubi
3	Antra MUZICA, LAT/Kyodai

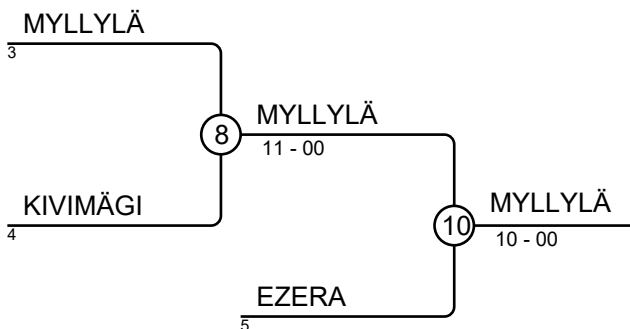
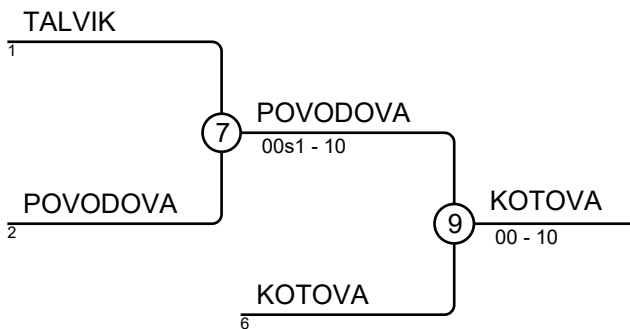
Audentes International Cup 13.04.2019 Tallinn GU14 -52kg

Competitors: 8



Results

Pos	Name
1	Isla ERKKILÄ, Finland/Porin Fudoshin
2	Amelija BARANOVSKA, Latvia/Kyodai
3	Anna KOTOVA, Estonia/Budolinn;
3	Riina MYLLYLÄ, FIN/Chikara
5	Jekaterina POVODOVA, Estonia/Budolinn
5	Evita EZERA, Latvia/Lido;
7	Felis TALVIK, Estonia/Dokyo;
7	Nora KIVIMÄGI, EST/Aitado



Audentes International Cup 13.04.2019 Tallinn GU14 -46kg

Competitors

Competitors: 5

#	Name	Grade	Club	1	2	3	4	5	Wins	Pts	Pos
1	Emilia HENDRIKSON	?	Estonia/Audru Aitado;			1			1	1	3
2	Henrietta LIPPUS	?	Estonia/Barra;	10		1			2	11	3
3	Elsi KURKELA	?	Finland/Lappeenrannan Kamiza;						0	0	5
4	Anna GULITE	?	Latvia/Kyodai;	10	10	10		10	4	40	1
5	Viktorija KERGALVE	?	Latvia/Spars-Ventspils;	10	10	1			3	21	2

Matches

Match	White	Blue	Result	Time
1	Anna GULITE	4 5 Viktorija KERGALVE	10-00s1	0:57
2	Emilia HENDRIKSON	1 2 Henrietta LIPPUS	00-10s2	0:51
3	Elsi KURKELA	3 4 Anna GULITE	00s2-10	1:44
4	Emilia HENDRIKSON	1 5 Viktorija KERGALVE	00-10	0:00
5	Henrietta LIPPUS	2 3 Elsi KURKELA	10s1-01s1	2:23
6	Emilia HENDRIKSON	1 4 Anna GULITE	00-10	0:44
7	Elsi KURKELA	3 5 Viktorija KERGALVE	00s3-10	0:22
8	Henrietta LIPPUS	2 4 Anna GULITE	00-10	0:11
9	Emilia HENDRIKSON	1 3 Elsi KURKELA	10s2-00s3	4:01
10	Henrietta LIPPUS	2 5 Viktorija KERGALVE	00s1-10	0:56

Results

Pos	Name
1	Anna GULITE, Latvia/Kyodai;
2	Viktorija KERGALVE, Latvia/Spars-Ventspils;
3	Henrietta LIPPUS, Estonia/Barra;
3	Emilia HENDRIKSON, Estonia/Audru Aitado;
5	Elsi KURKELA, Finland/Lappeenrannan Kamiza;

Audentes International Cup 13.04.2019 Tallinn GU14 -42kg

Competitors

Competitors: 4

#	Name	Grade	Club	1	2	3	4	Wins	Pts	Pos
1	Almalki GHINA	?	Saudi Arabia/Saudi Arabian Judo Federation;					1	10	3
2	Jenna KUOSMANEN	?	FIN/Chikara	10		10	10	3	30	1
3	Viktorija JANOVSKA	?	Latvia/Kyodai;	10				1	10	3
4	Aleksandra KRASNOVA	?	Estonia/Budolinn;			10		1	10	2

Matches

Match	White	Blue	Result	Time
1	Almalki GHINA	Jenna KUOSMANEN	00s1-10	0:38
2	Viktorija JANOVSKA	Aleksandra KRASNOVA	00-10	0:22
3	Almalki GHINA	Viktorija JANOVSKA	00s1-10	1:04
4	Jenna KUOSMANEN	Aleksandra KRASNOVA	10-00	0:09
5	Almalki GHINA	Aleksandra KRASNOVA	10-00s1	1:01
6	Jenna KUOSMANEN	Viktorija JANOVSKA	10-00	0:10

Results

Pos	Name
1	Jenna KUOSMANEN, FIN/Chikara
2	Aleksandra KRASNOVA, Estonia/Budolinn;
3	Almalki GHINA, Saudi Arabia/Saudi Arabian Judo Federation;
3	Viktorija JANOVSKA, Latvia/Kyodai;

Audentes International Cup 13.04.2019 Tallinn GU14 -36kg

Competitors

Competitors: 3

#	Name	Grade	Club	1	2	3	Wins	Pts	Pos
1	Almalki ALJORI	?	Saudi Arabia/Saudi Arabian Judo Federation				0	0	3
2	Sofja POSTUSENKO	?	Estonia/Budolinn;	10		10	2	20	1
3	Janele JUSTINE	?	Latvia/Kyodai;	10			1	10	2

Matches

Match	White			Blue	Result	Time
1	Almalki ALJORI	1	2	Sofja POSTUSENKO	00-10	0:04
2	Almalki ALJORI	1	3	Janele JUSTINE	00-10	0:32
3	Sofja POSTUSENKO	2	3	Janele JUSTINE	10-00	0:50

Results

Pos	Name
1	Sofja POSTUSENKO, Estonia/Budolinn;
2	Janele JUSTINE, Latvia/Kyodai;
3	Almalki ALJORI, Saudi Arabia/Saudi Arabian Judo Federation;

Audentes International Cup 13.04.2019 Tallinn GU14 +57kg

Competitors

Competitors: 4

#	Name	Grade	Club	1	2	3	4	Wins	Pts	Pos
1	Emma-Melis AKTAS	?	EST/Altia		10	10	10	3	30	1
2	Pelageja KRASNOVA	?	Estonia/Budolinn;					0	0	3
3	Aseeri SARA	?	Saudi Arabia/Saudi Arabian Judo Federation;					1	10	3
4	Patricija BOBROVA	?	LAT/Kyodai;		10	10		2	20	2

Matches

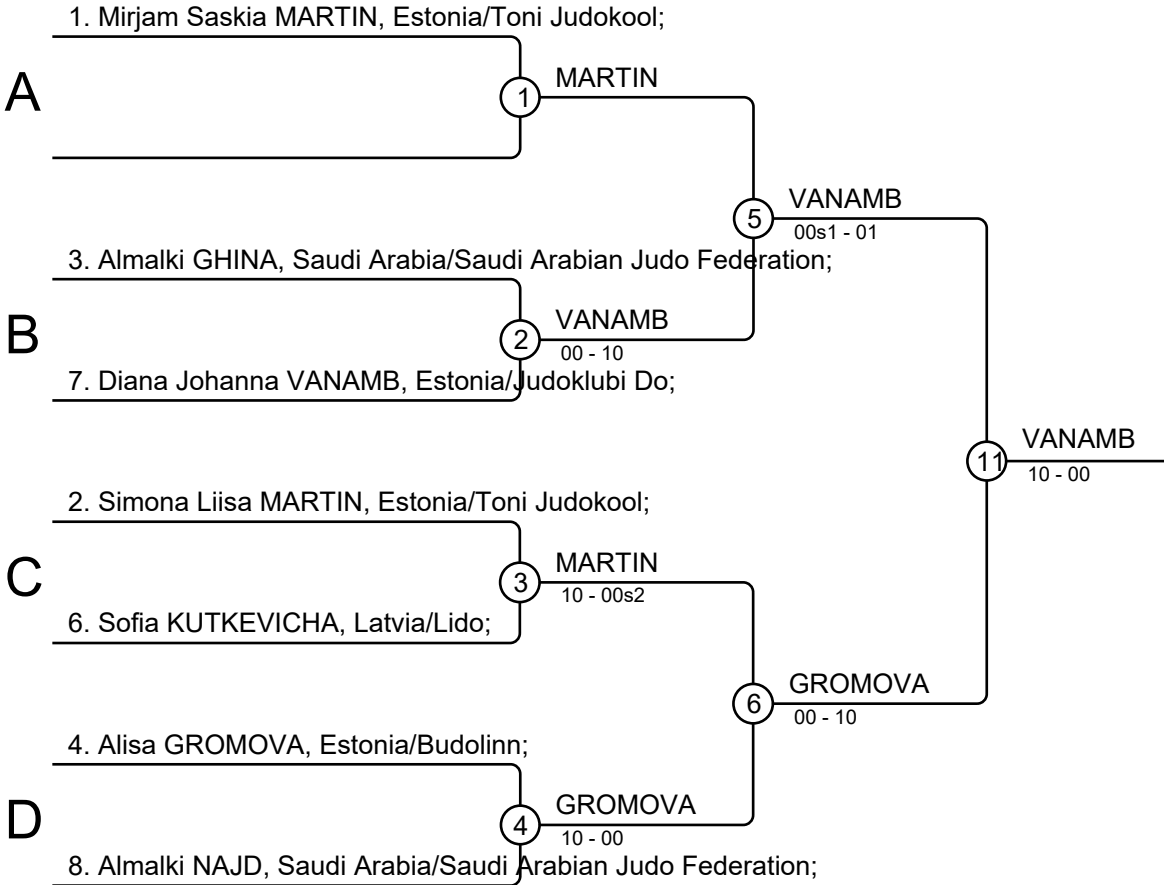
Match	White	Blue	Result	Time
1	Emma-Melis AKTAS	1 2 Pelageja KRASNOVA	10s1-00s2	1:49
2	Aseeri SARA	3 4 Patricija BOBROVA	00-10	0:08
3	Emma-Melis AKTAS	1 3 Aseeri SARA	10-00	0:25
4	Pelageja KRASNOVA	2 4 Patricija BOBROVA	00s2-10	1:00
5	Emma-Melis AKTAS	1 4 Patricija BOBROVA	10-00	1:40
6	Pelageja KRASNOVA	2 3 Aseeri SARA	00-10	0:02

Results

Pos	Name
1	Emma-Melis AKTAS, EST/Altia
2	Patricija BOBROVA, LAT/Kyodai;
3	Aseeri SARA, Saudi Arabia/Saudi Arabian Judo Federation;
3	Pelageja KRASNOVA, Estonia/Budolinn;

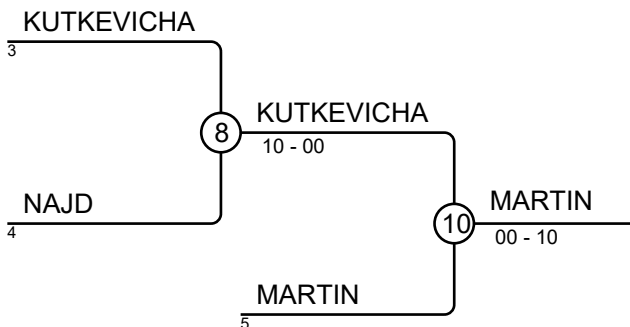
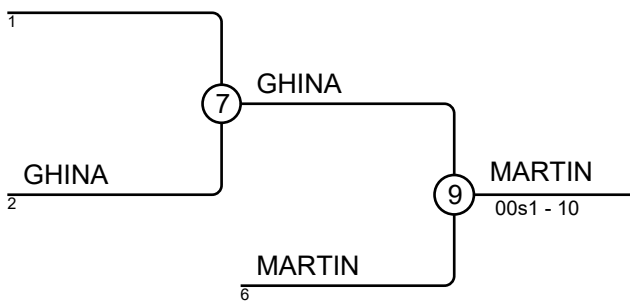
Audentes International Cup 13.04.2019 Tallinn GU12-40kg

Competitors: 7



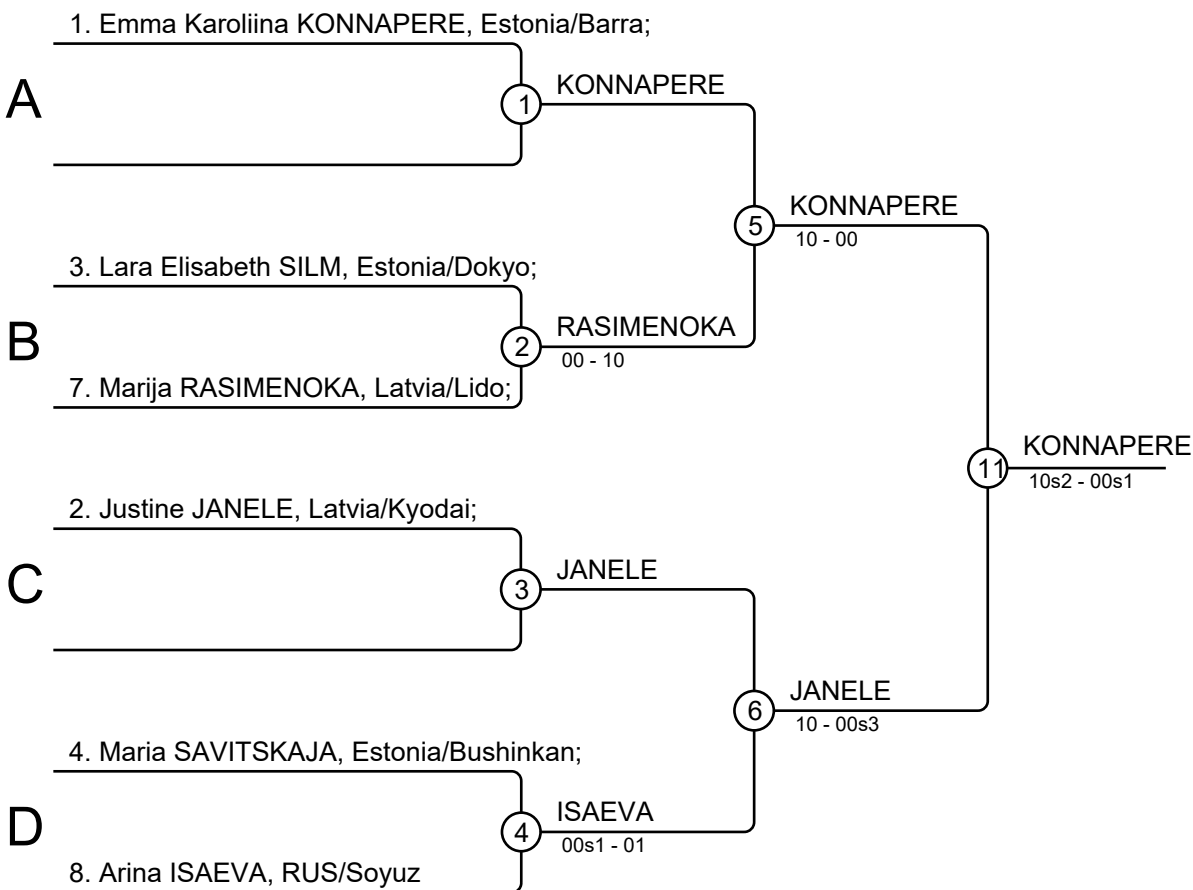
Results

Pos	Name
1	Diana Johanna VANAMB, Estonia/Ju
2	Alisa GROMOVA, Estonia/Buddinn;
3	Simona Liisa MARTIN, Estonia/Toni J
3	Mirjam Saskia MARTIN, Estonia/Toni
5	Almalki GHINA, Saudi Arabia/Saudi A
5	Sofia KUTKEVICHKA, Latvia/Lido;
7	
7	Almalki NAJD, Saudi Arabia/Saudi Ar



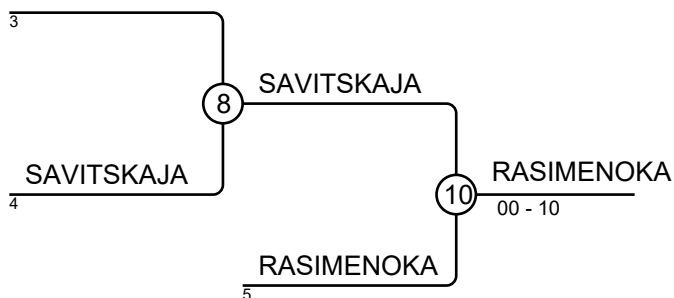
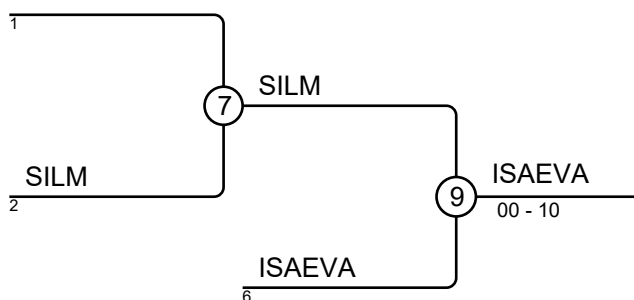
Audentes International Cup 13.04.2019 Tallinn GU12-35kg

Competitors: 6



Results

Pos	Name
1	Emma Karoliina KONNAPERE, Estonia/Barra;
2	Justine JANELE, Latvia/Kyodai;
3	Arina ISAEVA, RUS/Soyuz
3	Marija RASIMENOKA, Latvia/Lido;
5	Lara Elisabeth SILM, Estonia/Dokyo;
5	Maria SAVITSKAJA, Estonia/Bushinkan;
7	
7	



Audentes International Cup 13.04.2019 Tallinn GU12-30kg

Competitors

Competitors: 2

#	Name	Grade	Club	1	2	1	2	1	2	Wins	Pts	Pos
1	Abdulkarim DANAHA	?	Saudi Arabia/Saudi Arabian Judo Federation;							0	0	2
2	Sofia PEKKI	?	Finland/Magas;	10		10				2	20	1

Matches

Match	White	Grade	Blue	Result	Time
1	Abdulkarim DANAHA	1 2	Sofia PEKKI	00-10	0:12
2	Abdulkarim DANAHA	1 2	Sofia PEKKI	00-10	0:12
3	Abdulkarim DANAHA	1 2	Sofia PEKKI		

Results

Pos	Name
1	Sofia PEKKI, Finland/Magas;
2	Abdulkarim DANAHA, Saudi Arabia/Saudi Arabian Judo Federation;

Audentes International Cup 13.04.2019 Tallinn GU12+40kg

Competitors

Competitors: 2

#	Name	Grade	Club	1	2	1	2	1	2	Wins	Pts	Pos
1	Sofija HANTSEVITS	?	Estonia/Kibuvits;							0	0	2
2	Marta ARSENTJEVA	?	LAT/V. B Judo Skola	10		1				2	11	1

Matches

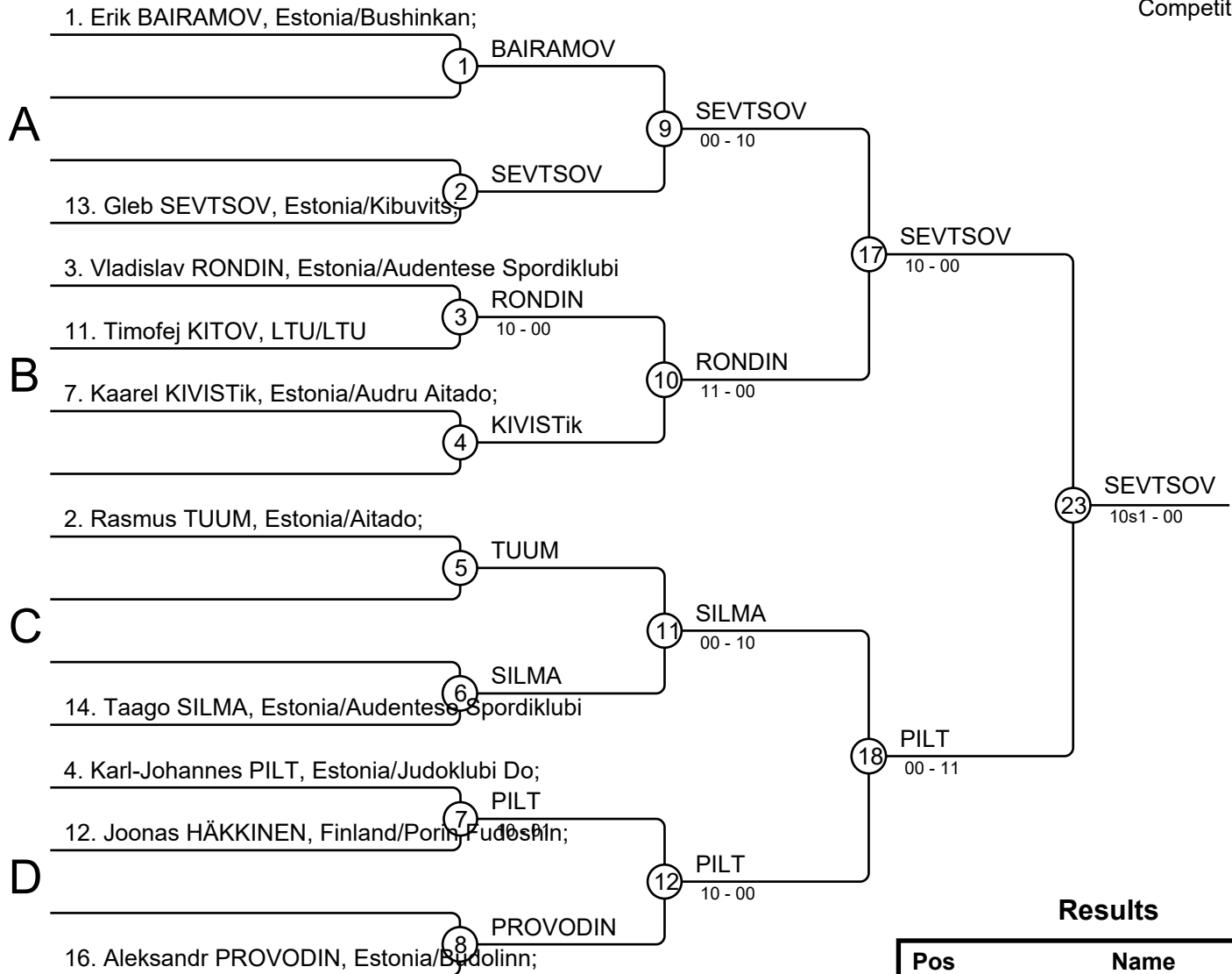
Match	White			Blue	Result	Time
1	Sofija HANTSEVITS	1	2	Marta ARSENTJEVA	00s1-10	1:14
2	Sofija HANTSEVITS	1	2	Marta ARSENTJEVA	00s2-01	2:00
3	Sofija HANTSEVITS	1	2	Marta ARSENTJEVA		

Results

Pos	Name
1	Marta ARSENTJEVA, LAT/V. B Judo Skola
2	Sofija HANTSEVITS, Estonia/Kibuvits;

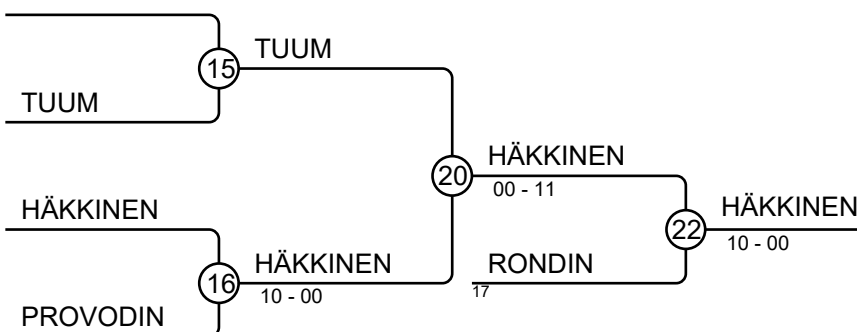
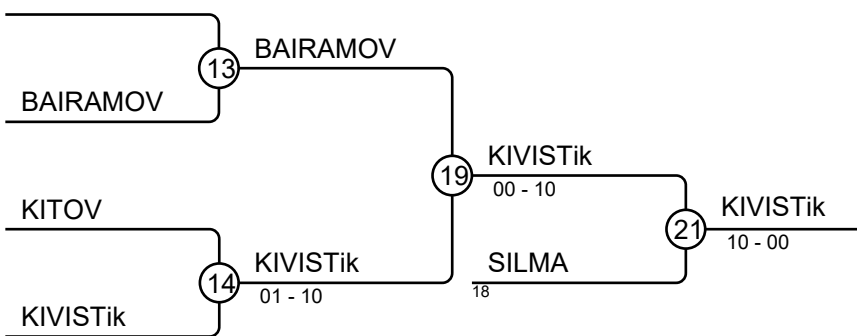
Audentes International Cup 13.04.2019 Tallinn BU16-73kg

Competitors: 10



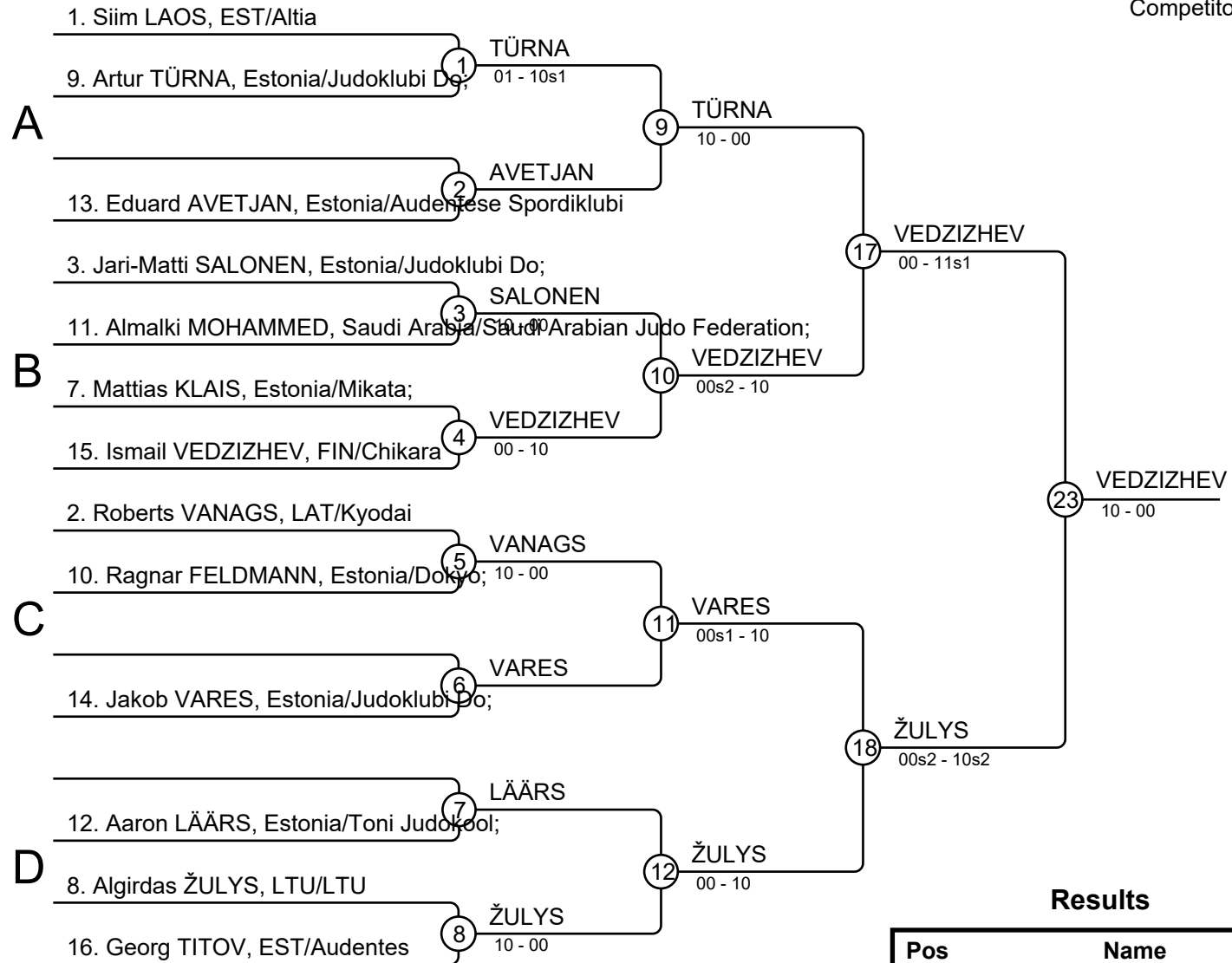
Results

Pos	Name
1	Gleb SEVTSOV, Estonia/Kibuvits;
2	Karl-Johannes PILT, Estonia/Judoklubi
3	Kaarel KIVISTik, Estonia/Audru Aitado
3	Joonas HÄKKINEN, Finland/Poriin Fu
5	Taago SILMA, Estonia/Audentese Sp
5	Vladislav RONDIN, Estonia/Audentes
7	Erik BAIRAMOV, Estonia/Bushinkan;
7	Rasmus TUUM, Estonia/Aitado;



Audentes International Cup 13.04.2019 Tallinn BU16 -66kg

Competitors: 13

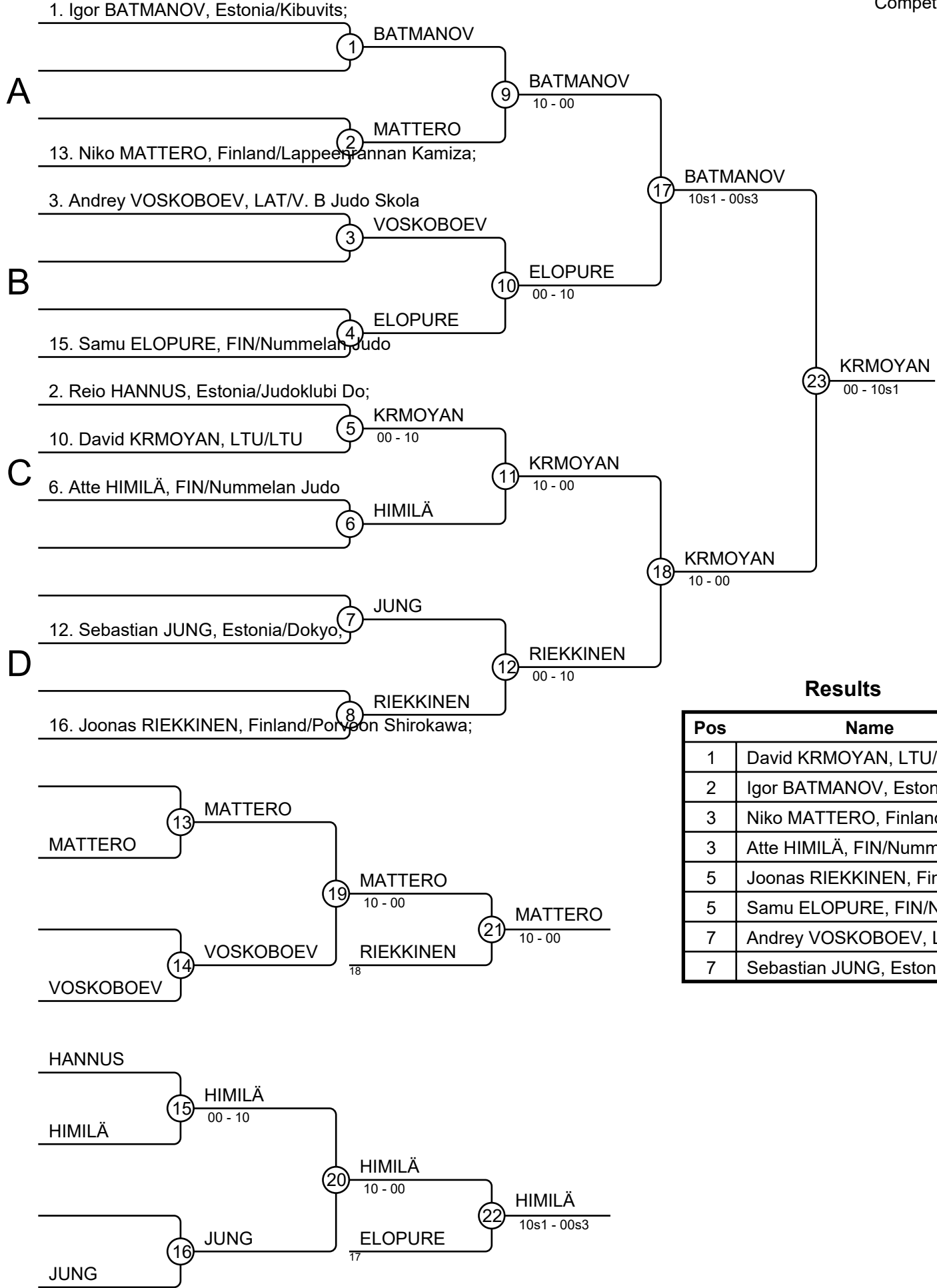


Results

Pos	Name
1	Ismail VEDZIZHEV, FIN/Chikara
2	Algirdas ŽULYS, LTU/LTU
3	Jakob VARES, Estonia/Judoklubi Do;
3	Roberts VANAGS, LAT/Kyodai
5	Jari-Matti SALONEN, Estonia/Judoklubi Do;
5	Artur TÜRNAS, Estonia/Judoklubi Do;
7	Siim LAOS, EST/Altia
7	Georg TITOV, EST/Audentes

Audentes International Cup 13.04.2019 Tallinn BU16 -60kg

Competitors: 9

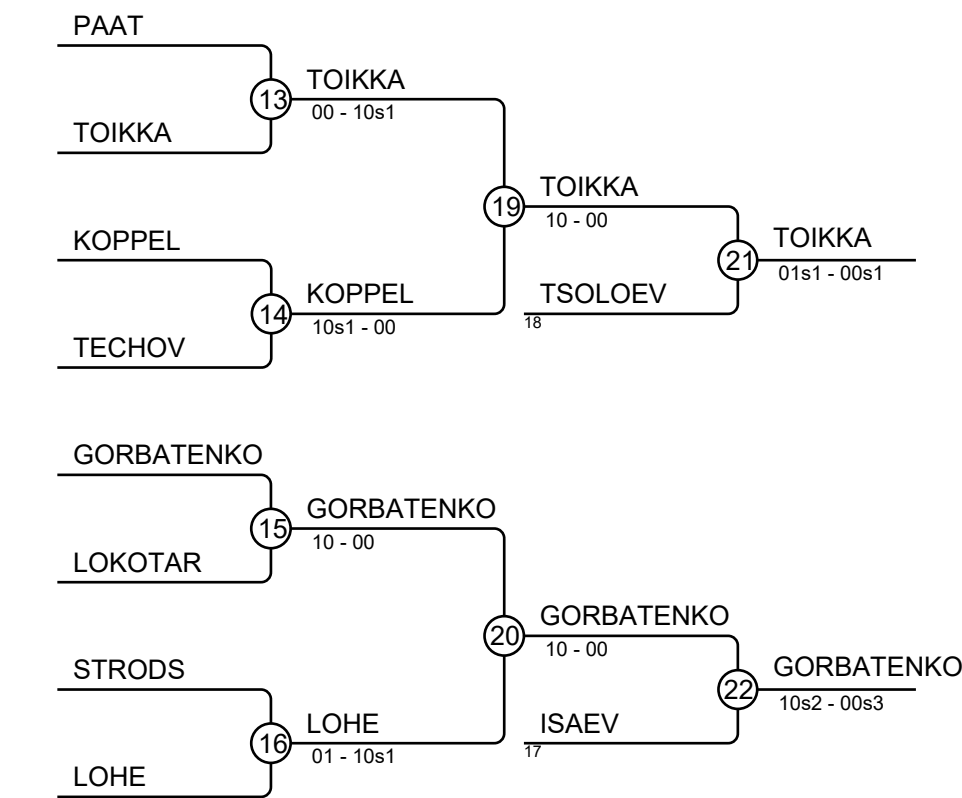
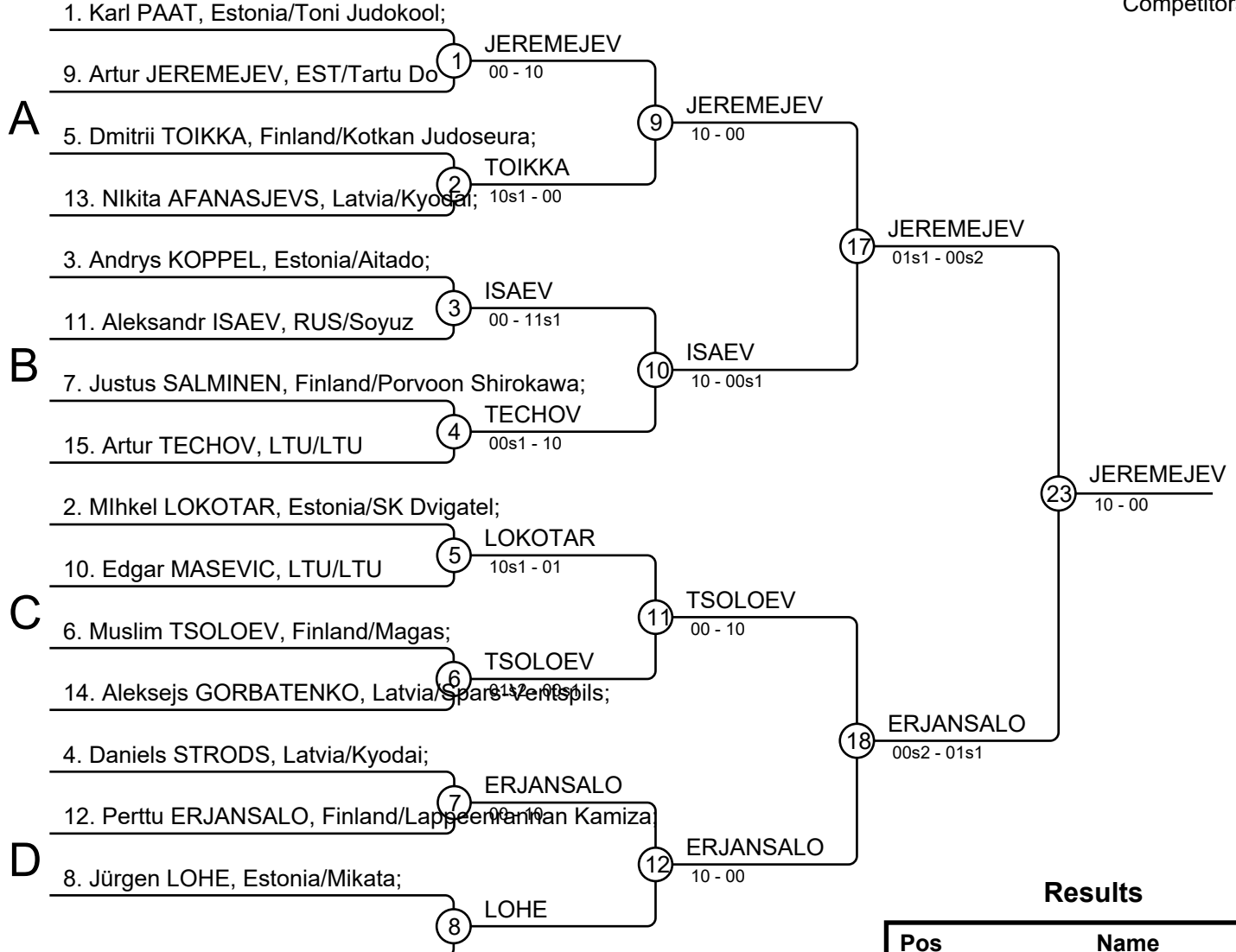


Results

Pos	Name
1	David KRMOYAN, LTU/LTU
2	Igor BATMANOV, Estonia/Kibuvits;
3	Niko MATTERO, Finland/Lappeenranta/Kamiza;
3	Atte HIMILÄ, FIN/Nummelan Judo
5	Joonas RIEKKINEN, Finland/Porvoo/Shirokawa;
5	Samu ELOPURE, FIN/Nummelan Judo
7	Andrey VOSKOBOEV, LAT/V. B Judo Skola
7	Sebastian JUNG, Estonia/Dokyo;

Audentes International Cup 13.04.2019 Tallinn BU16 -55kg

Competitors: 15

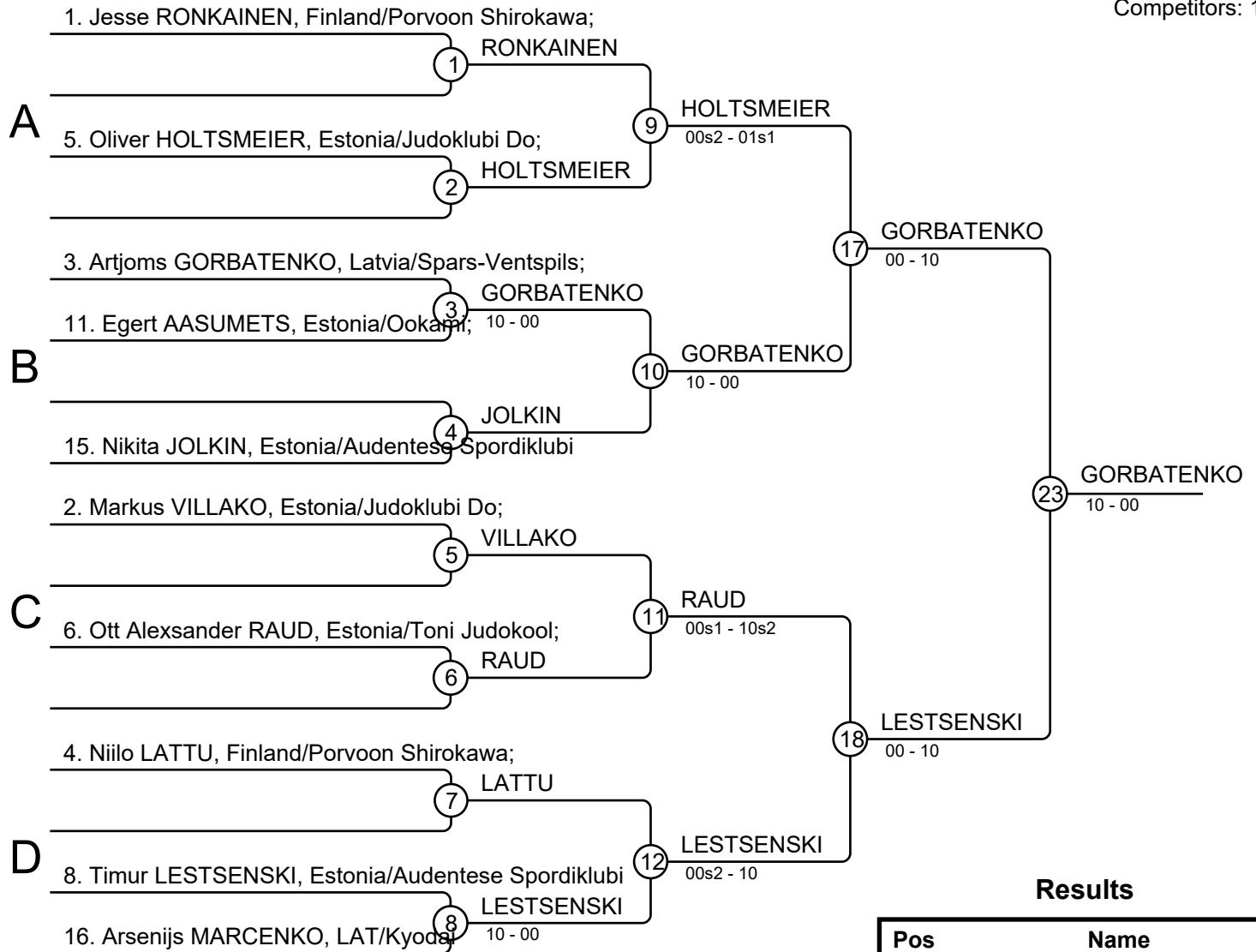


Results

Pos	Name
1	Artur JEREMEJEV, EST/Tartu Do
2	Perttu ERJANSALO, Finland/Lappeenranta
3	Dmitrii TOIKKA, Finland/Kotkan Judoseura;
3	Aleksejs GORBATENKO, Latvia/Spars-Ventspils;
5	Muslim TSOLOEV, Finland/Magas;
5	Aleksandr ISAEV, RUS/Soyuz
7	Andrys KOPPEL, Estonia/Aitado;
7	Jürgen LOHE, Estonia/Mikata;

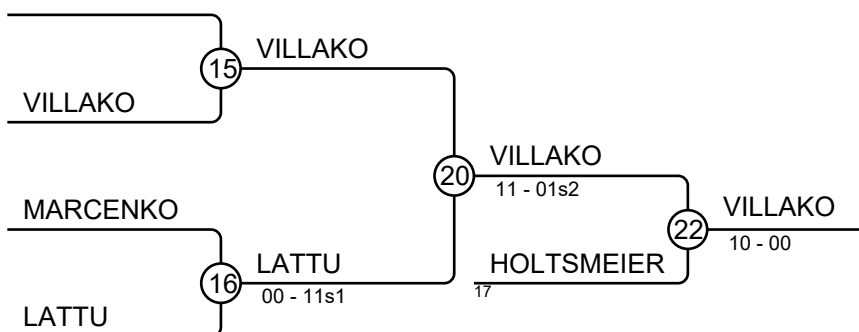
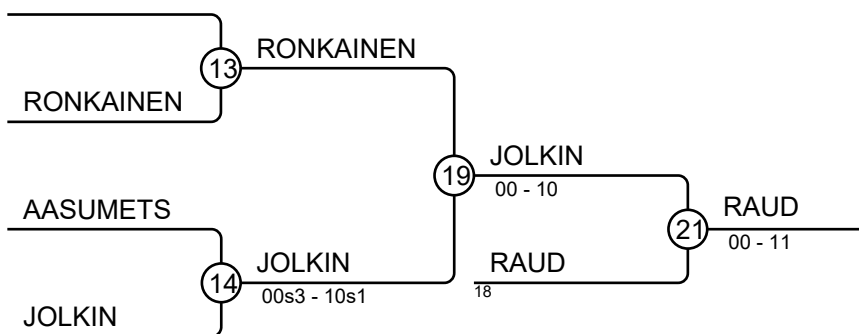
Audentes International Cup 13.04.2019 Tallinn BU16 -50kg

Competitors: 10



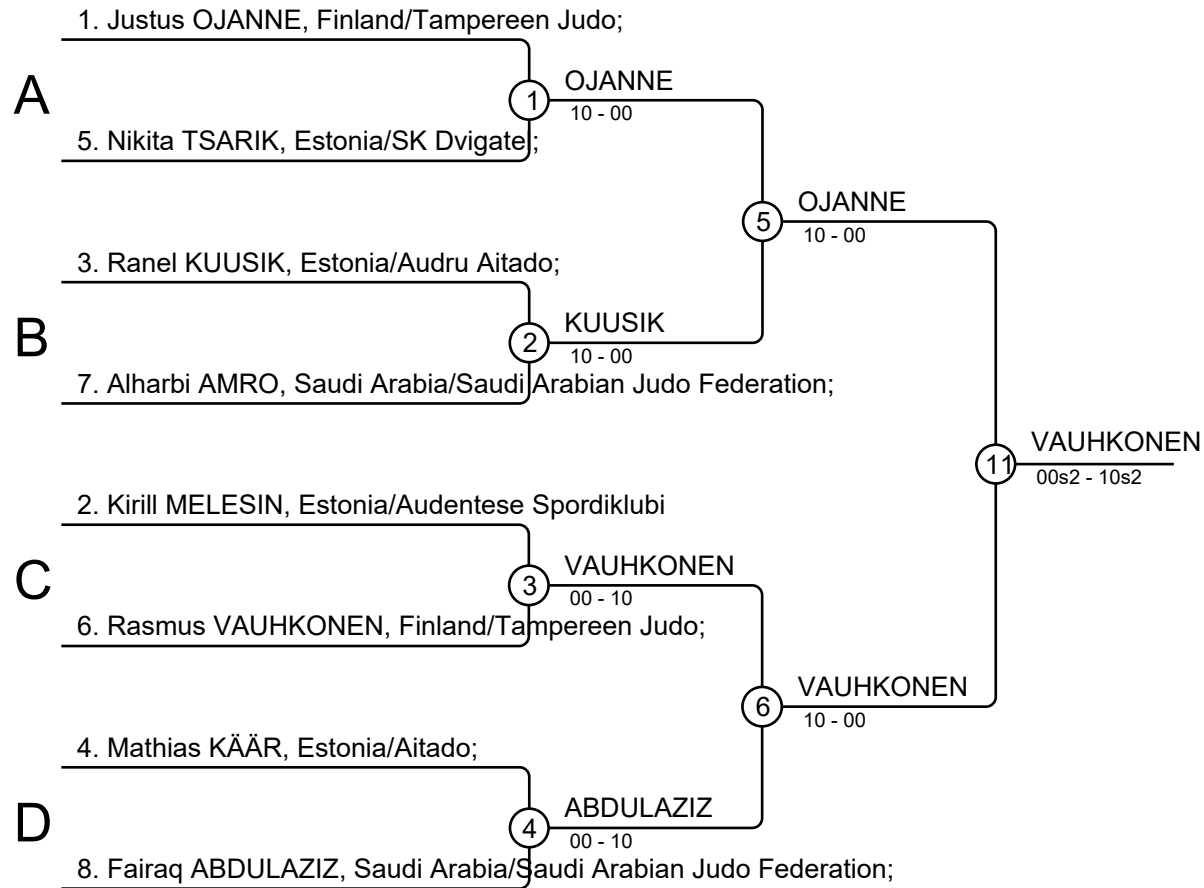
Results

Pos	Name
1	Artjoms GORBATENKO, Latvia/Spars
2	Timur LESTSENSKI, Estonia/Audente
3	Ott Aleksander RAUD, Estonia/Toni J
3	Markus VILLAKO, Estonia/Judoklubi
5	Nikita JOLKIN, Estonia/Audentese Sp
5	Oliver HOLTSMEIER, Estonia/Judokl
7	Jesse RONKAINEN, Finland/Porvoon
7	Niilo LATTU, Finland/Porvoon Shirok



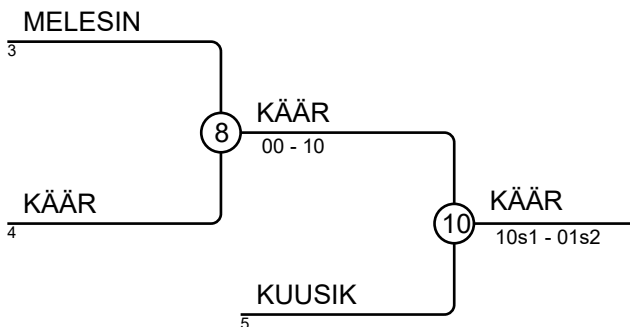
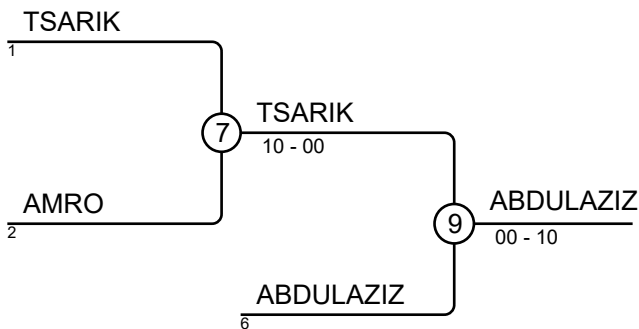
Audentes International Cup 13.04.2019 Tallinn BU16 -46kg

Competitors: 8



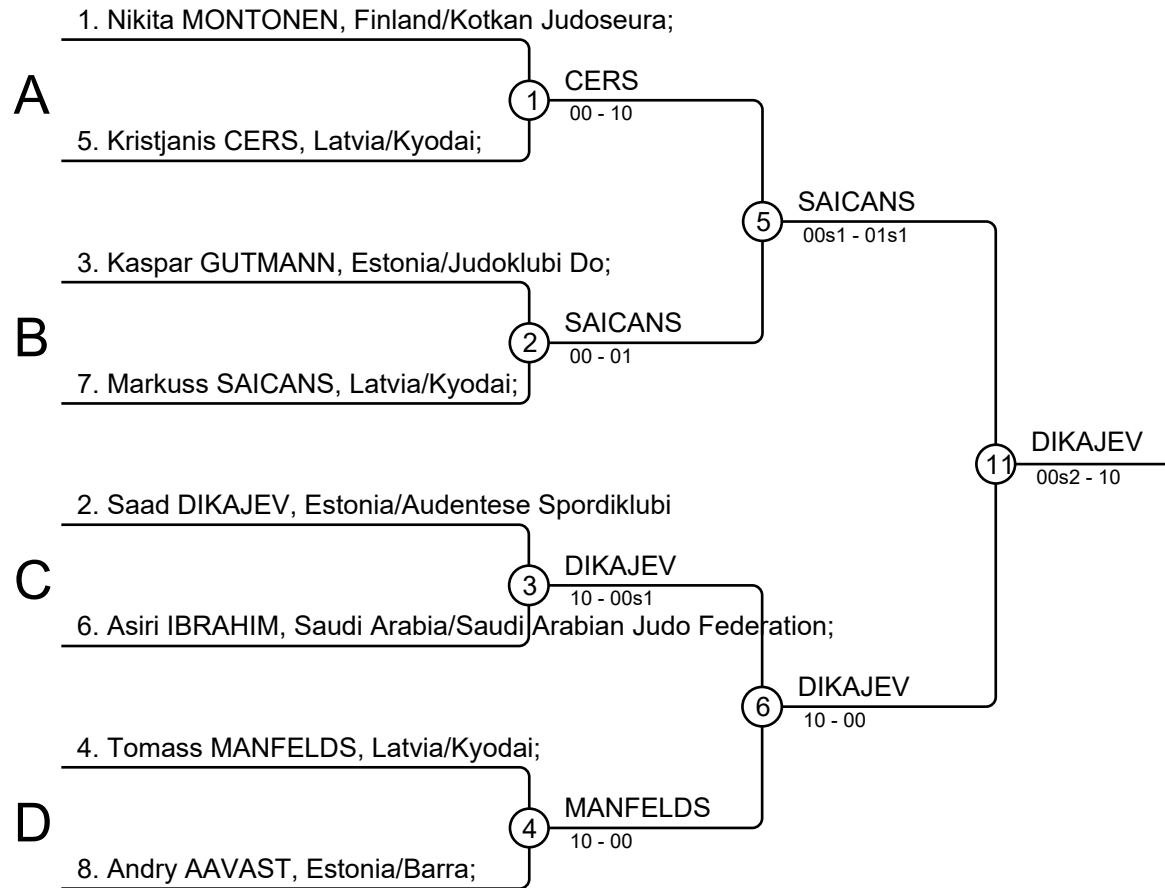
Results

Pos	Name
1	Rasmus VAUHKONEN, Finland/Tampereen Judo;
2	Justus OJANNE, Finland/Tampereen Judo;
3	Fairaq ABDULAZIZ, Saudi Arabia/Saudi Arabian Judo Federation;
3	Mathias KÄÄR, Estonia/Aitado;
5	Nikita TSARIK, Estonia/SK Dvigatel;
5	Ranel KUUSIK, Estonia/Audru Aitado;
7	Alharbi AMRO, Saudi Arabia/Saudi Arabian Judo Federation;
7	Kirill MELESIN, Estonia/Audentese Spordiklubi;



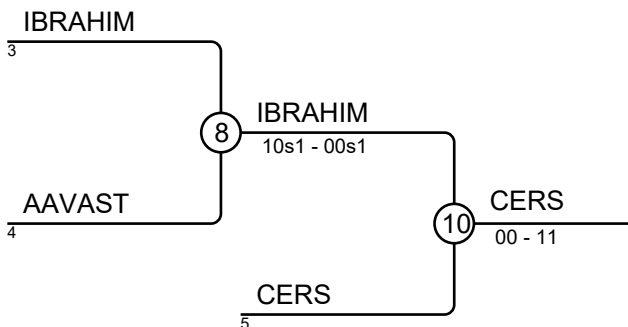
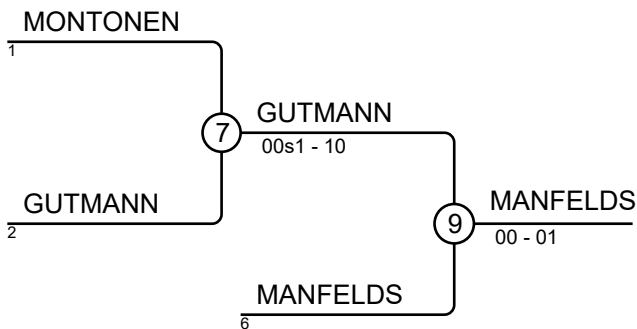
Audentes International Cup 13.04.2019 Tallinn BU16 -42kg

Competitors: 8



Results

Pos	Name
1	Saad DIKAJEV, Estonia/Audentese S
2	Markuss SAICANS, Latvia/Kyodai;
3	Tomass MANFELDS, Latvia/Kyodai;
3	Kristjanis CERS, Latvia/Kyodai;
5	Kaspar GUTMANN, Estonia/Judoklub
5	Asiri IBRAHIM, Saudi Arabia/Saudi A
7	Nikita MONTONEN, Finland/Kotkan J
7	Andry AAVAST, Estonia/Barra;



Audentes International Cup 13.04.2019 Tallinn BU16 +73kg

Competitors

Competitors: 5

#	Name	Grade	Club	1	2	3	4	5	Wins	Pts	Pos
1	Eduard LADÕGIN	?	Estonia/Audentese Spordiklubi	10		10		10	3	30	2
2	Rasmus MÄGI	?	EST/Altia						0	0	5
3	Mattias Timm RAST	?	EST/Altia		10				1	10	3
4	Samuel MIKK	?	Estonia/Judoklubi Do;	10	10	10		10	4	40	1
5	Kabriel KIRNA	?	Estonia/Judoklubi Do;		10	10			2	20	3

Matches

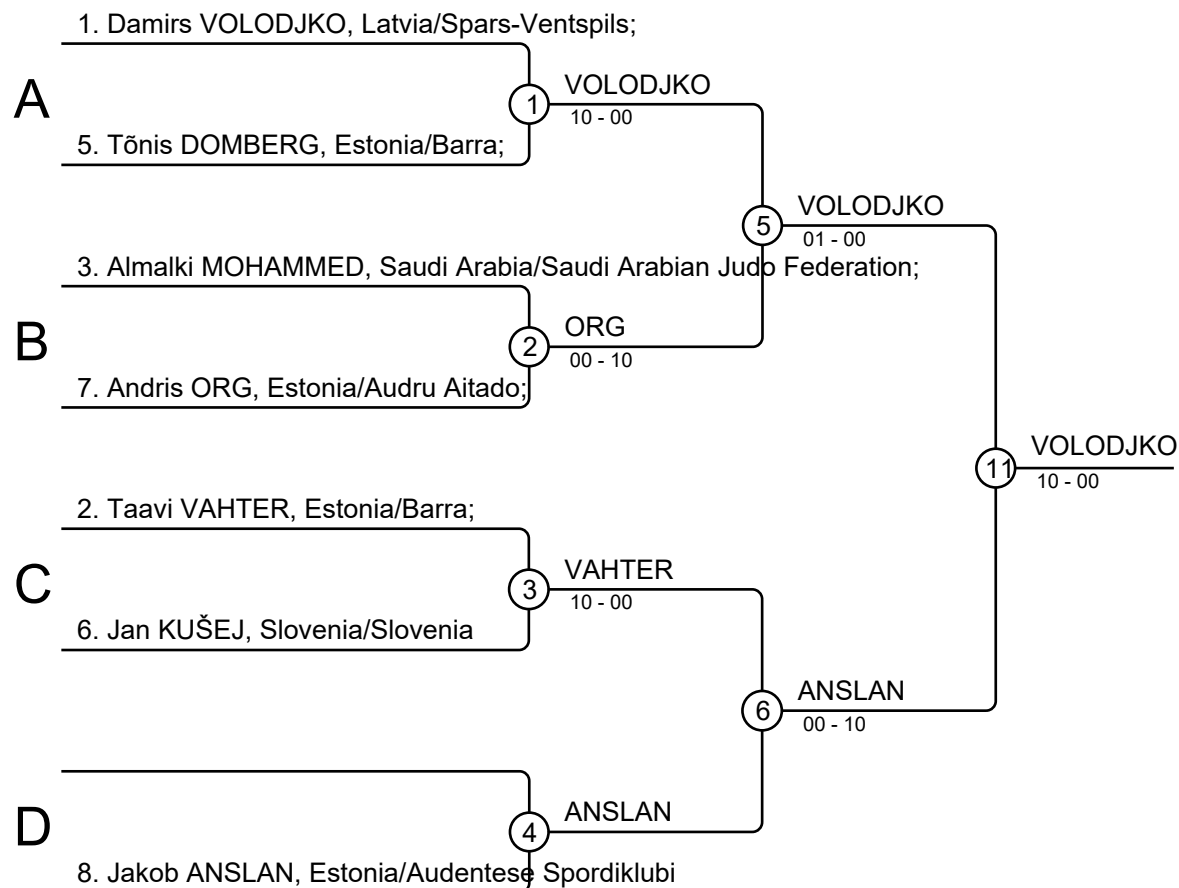
Match	White	White	Blue	Blue	Result	Time
1	Samuel MIKK	4	5	Kabriel KIRNA	10-00	0:33
2	Eduard LADÕGIN	1	2	Rasmus MÄGI	10-00	0:54
3	Mattias Timm RAST	3	4	Samuel MIKK	00-10	0:08
4	Eduard LADÕGIN	1	5	Kabriel KIRNA	10-00	3:00
5	Rasmus MÄGI	2	3	Mattias Timm RAST	00-10	0:05
6	Eduard LADÕGIN	1	4	Samuel MIKK	00s3-10	2:46
7	Mattias Timm RAST	3	5	Kabriel KIRNA	00s1-10	1:42
8	Rasmus MÄGI	2	4	Samuel MIKK	00-10	0:13
9	Eduard LADÕGIN	1	3	Mattias Timm RAST	10-00	1:12
10	Rasmus MÄGI	2	5	Kabriel KIRNA	00-10	0:06

Results

Pos	Name
1	Samuel MIKK, Estonia/Judoklubi Do;
2	Eduard LADÕGIN, Estonia/Audentese Spordiklubi
3	Kabriel KIRNA, Estonia/Judoklubi Do;
3	Mattias Timm RAST, EST/Altia
5	Rasmus MÄGI, EST/Altia

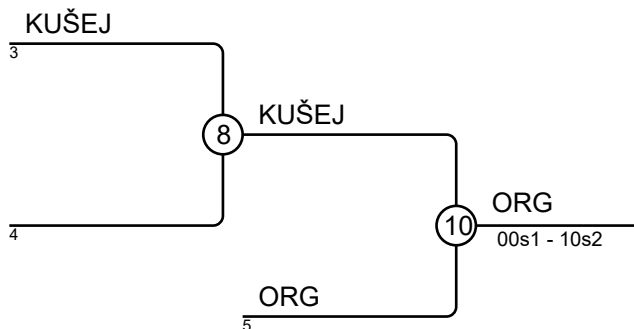
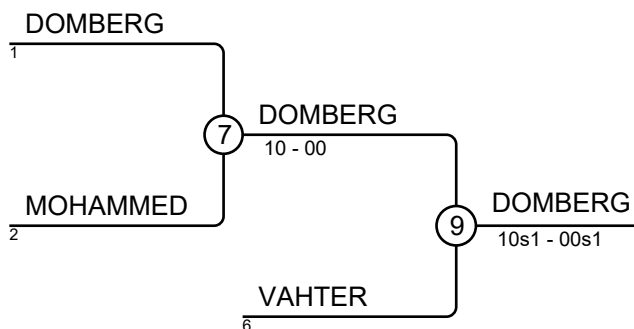
Audentes International Cup 13.04.2019 Tallinn BU14 -66kg

Competitors: 7



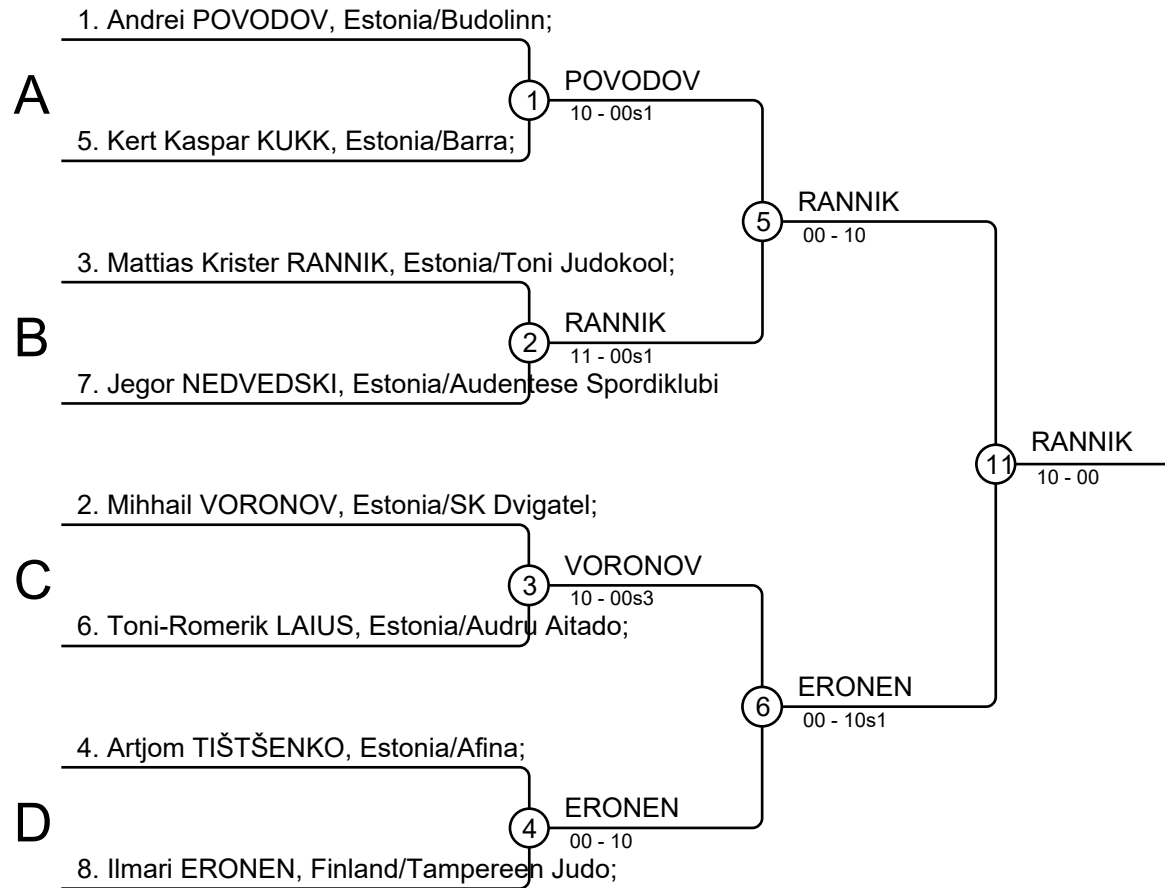
Results

Pos	Name
1	Damirs VOLODJKO, Latvia/Spars-Ventspils
2	Jakob ANSLAN, Estonia/Audentese Spordiklubi
3	Tõnis DOMBERG, Estonia/Barra;
3	Andris ORG, Estonia/Audru Aitado;
5	Taavi VAHTER, Estonia/Barra;
5	Jan KUŠEJ, Slovenia/Slovenia
7	Almalki MOHAMMED, Saudi Arabia/Saudi Arabian Judo Federation;
7	



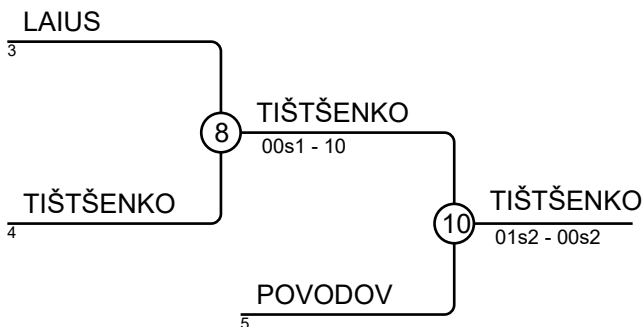
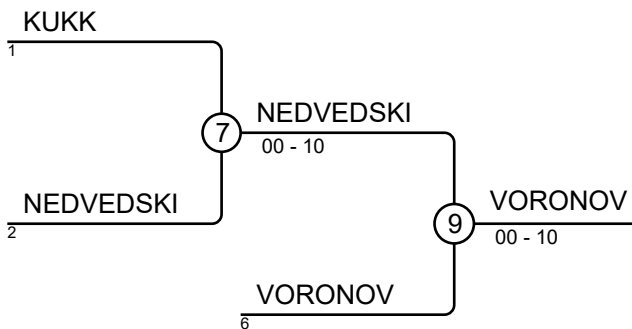
Audentes International Cup 13.04.2019 Tallinn BU14 -60kg

Competitors: 8



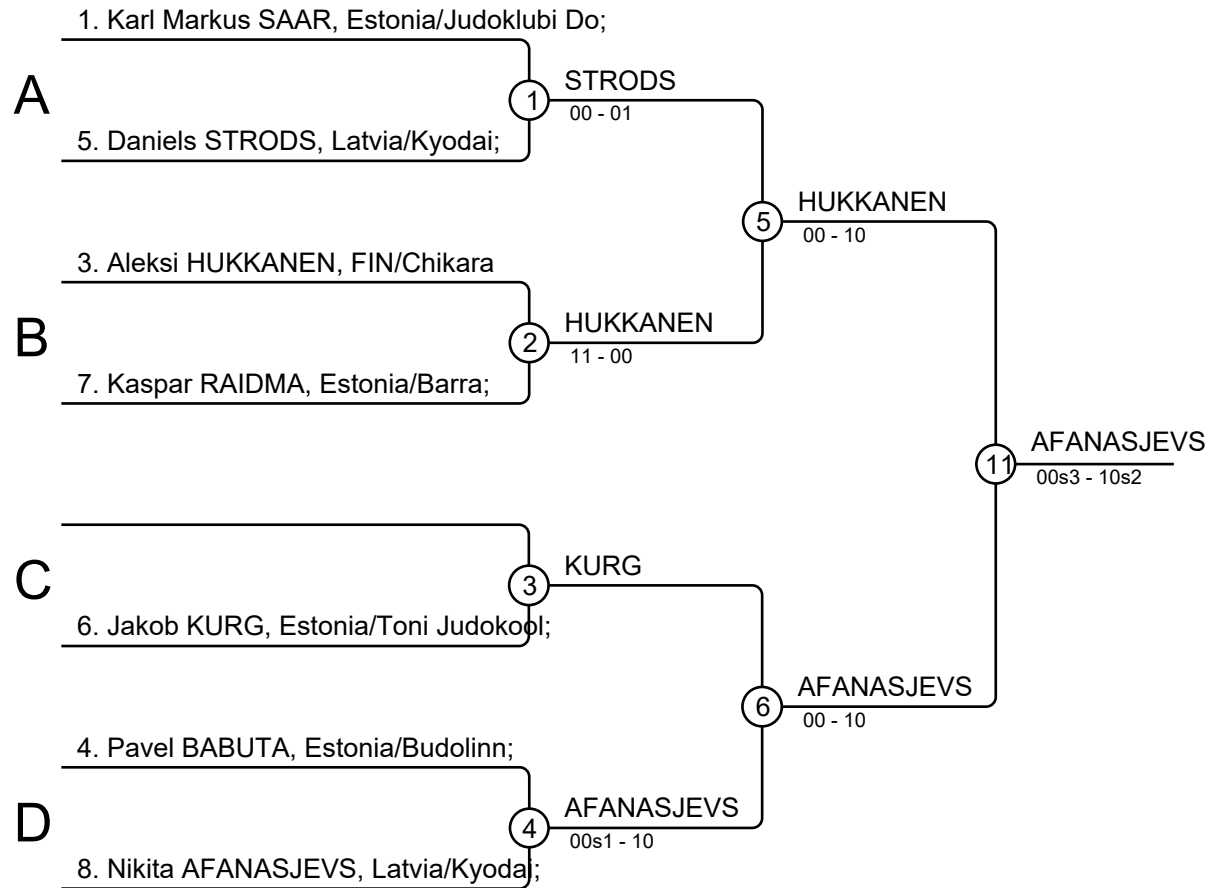
Results

Pos	Name
1	Mattias Krister RANNIK, Estonia/Toni
2	Ilmari ERONEN, Finland/Tampereen
3	Mihhail VORONOV, Estonia/SK Dvigatel;
3	Artjom TIŠTŠENKO, Estonia/Afina;
5	Jegor NEDVEDSKI, Estonia/Audentese
5	Andrei POVODOV, Estonia/Budolinn;
7	Kert Kaspar KUKK, Estonia/Barra;
7	Toni-Romerik LAIUS, Estonia/Audru A



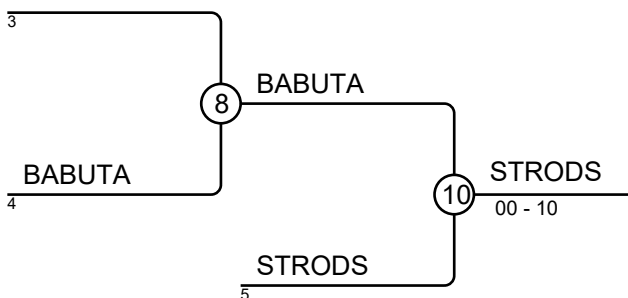
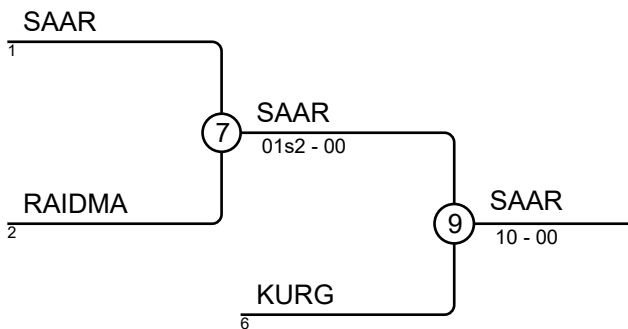
Audentes International Cup 13.04.2019 Tallinn BU14 -55kg

Competitors: 7



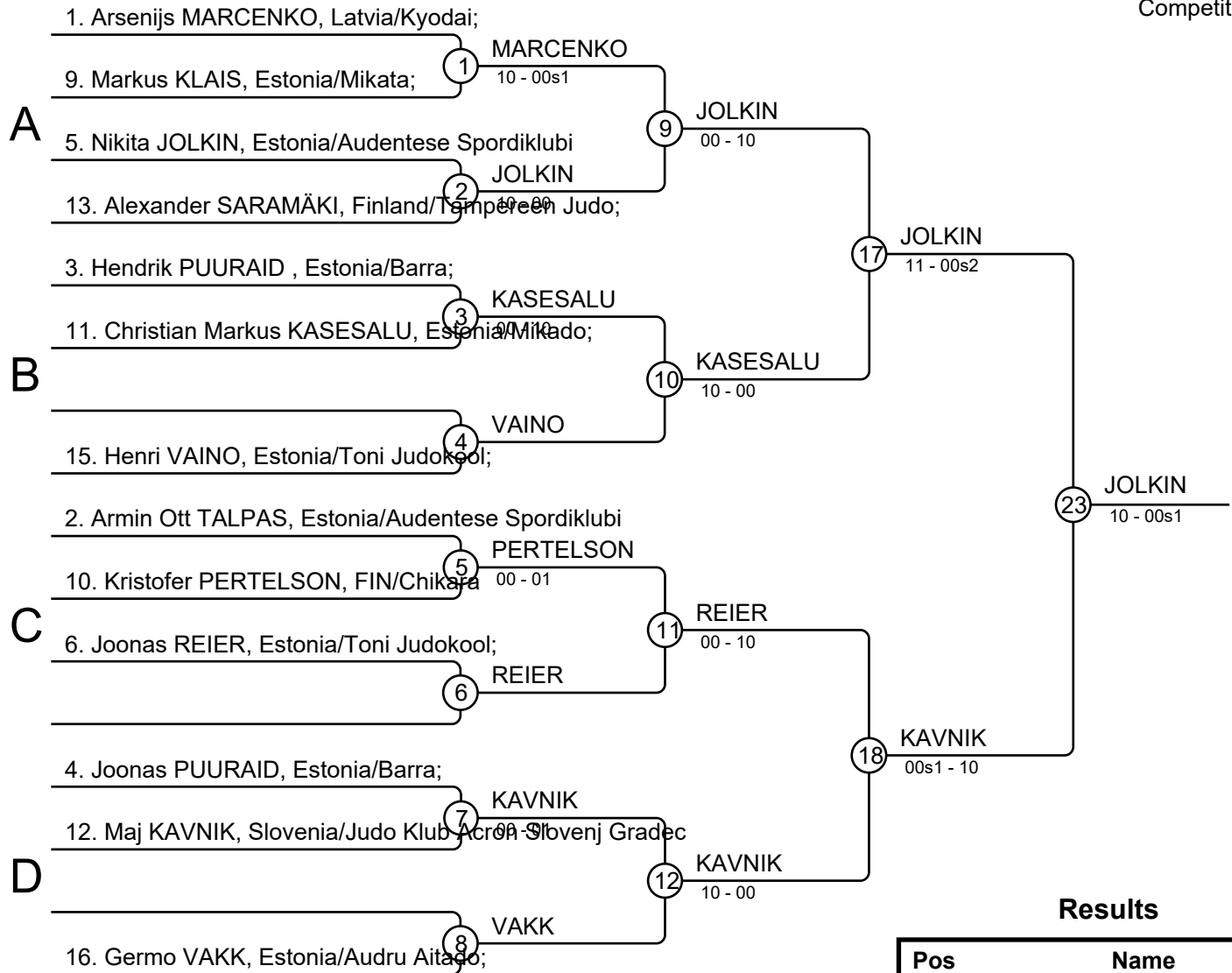
Results

Pos	Name
1	Nikita AFANASJEVS, Latvia/Kyodai;
2	Aleksis HUKKANEN, FIN/Chikara
3	Karl Markus SAAR, Estonia/Judoklub
3	Daniels STRODS, Latvia/Kyodai;
5	Jakob KURG, Estonia/Toni Judokool;
5	Pavel BABUTA, Estonia/Budolinn;
7	Kaspar RAIDMA, Estonia/Barra
7	



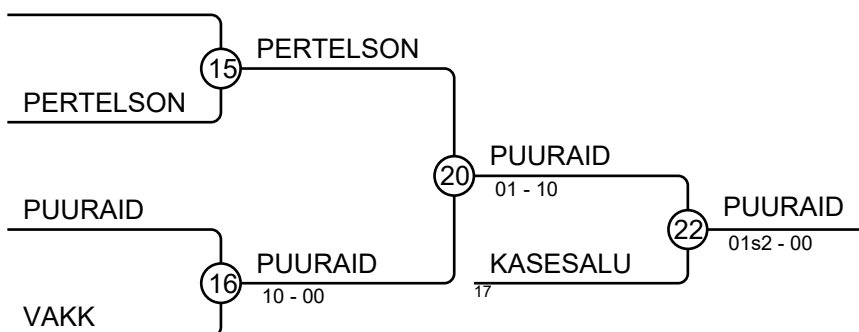
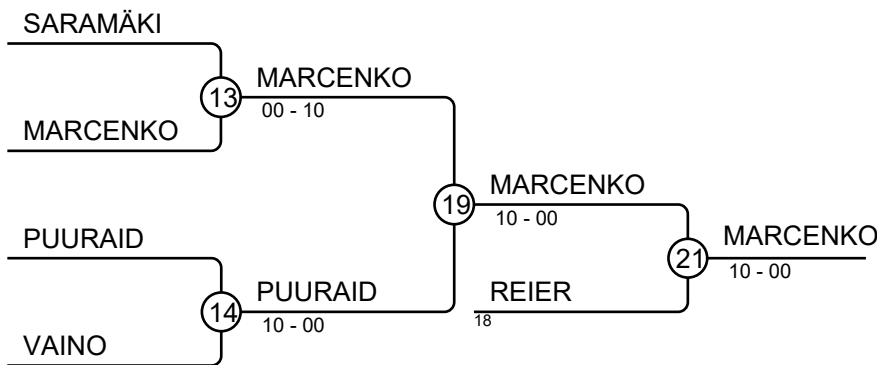
Audentes International Cup 13.04.2019 Tallinn BU14 -50kg

Competitors: 13



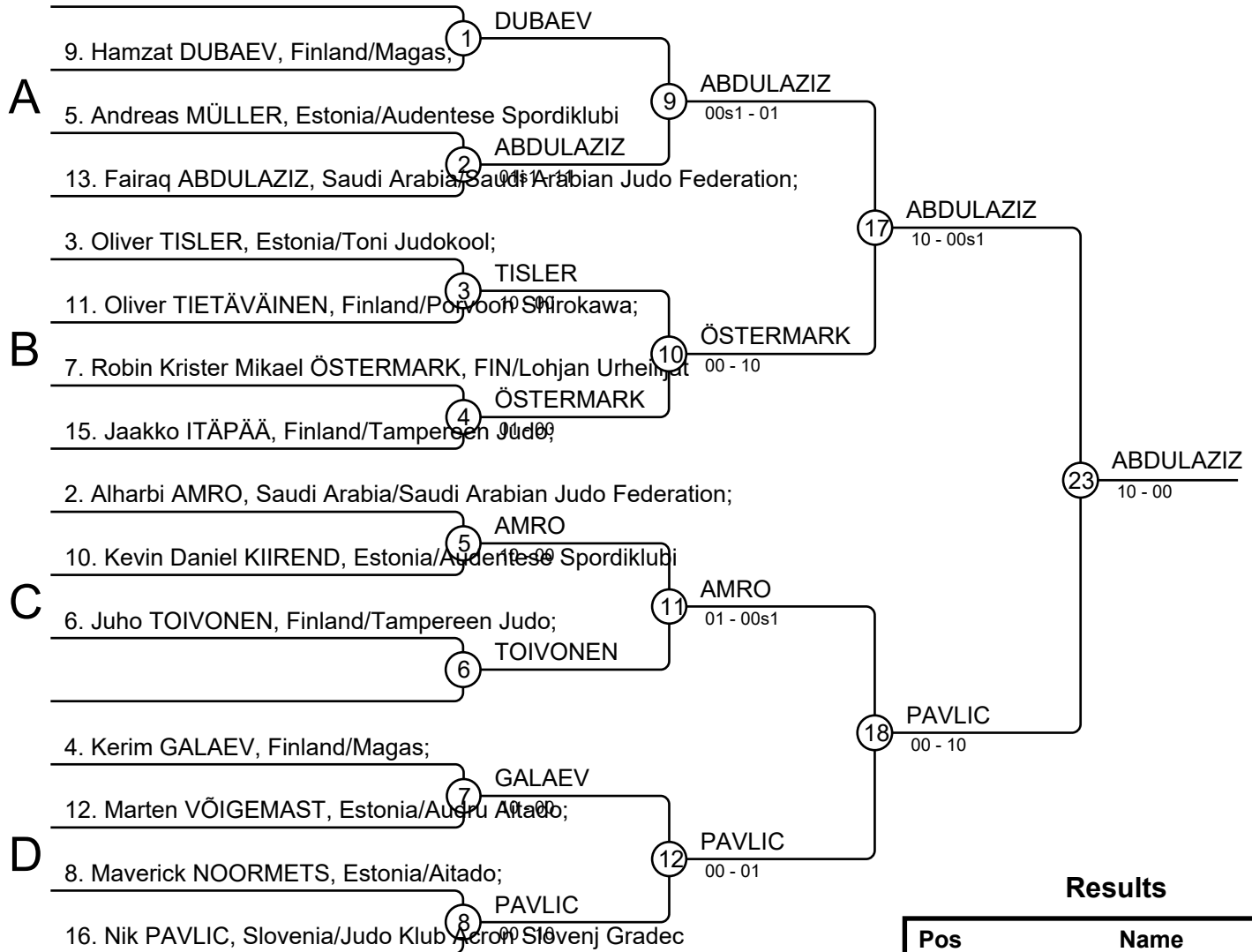
Results

Pos	Name
1	Nikita JOLKIN, Estonia/Audentese Sp
2	Maj KAVNIK, Slovenia/Judo Klub Acron
3	Arsenijs MARCENKO, Latvia/Kyodai;
3	Joonas PUURAIID, Estonia/Barra;
5	Joonas REIER, Estonia/Toni Judokool
5	Christian Markus KASESALU, Estoni
7	Hendrik PUURAIID, Estonia/Barra;
7	Kristofer PERTELSON, FIN/Chikara



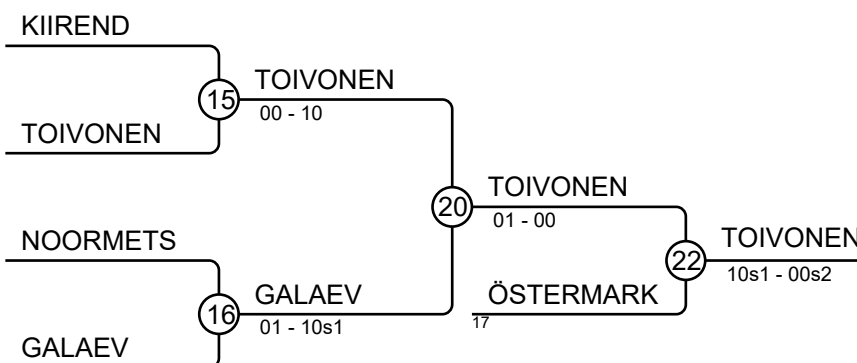
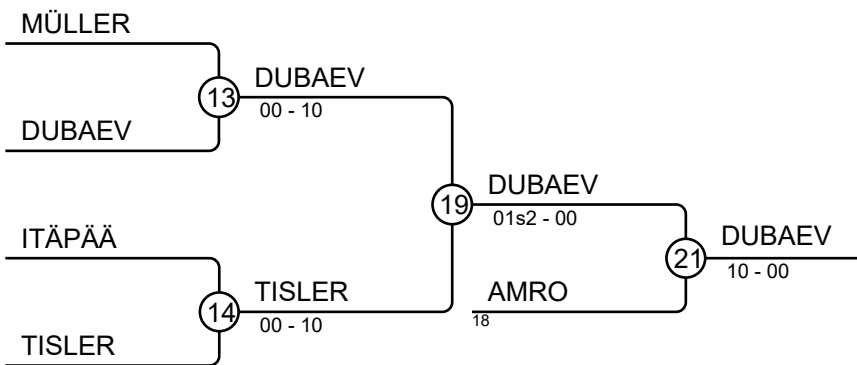
Audentes International Cup 13.04.2019 Tallinn BU14 -46kg

Competitors: 14



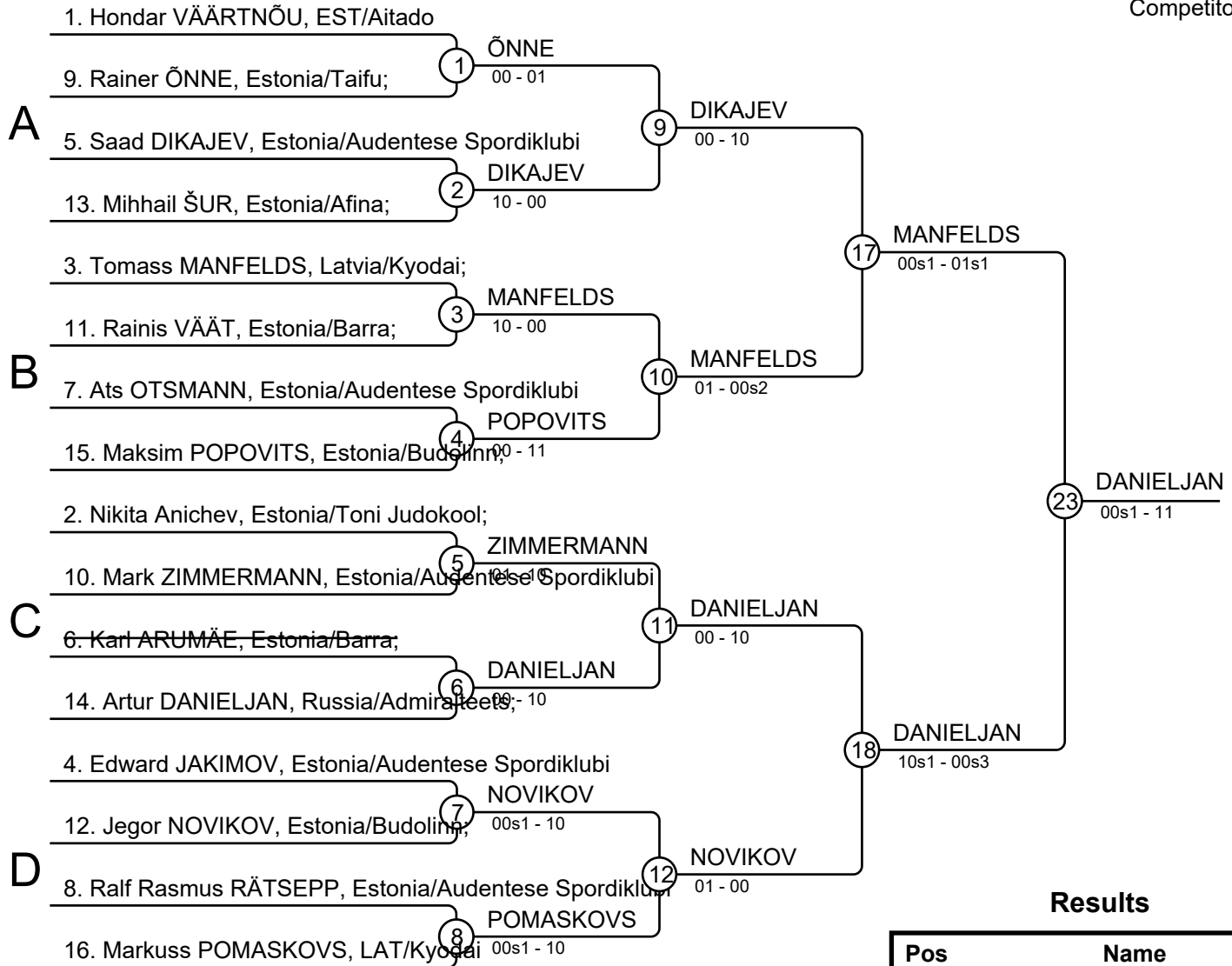
Results

Pos	Name
1	Fairaq ABDULAZIZ, Saudi Arabia/Saudi Arabian Judo Federation;
2	Nik PAVLIC, Slovenia/Judo Klub Acron Slovenj Gradec
3	Hamzat DUBAEV, Finland/Magas;
3	Juho TOIVONEN, Finland/Tampereen Judo;
5	Alharbi AMRO, Saudi Arabia/Saudi Arabian Judo Federation;
5	Robin Krister Mikael ÖSTERMARK, FIN/Lojhan Urheilijat
7	Oliver TISLER, Estonia/Toni Judokool;
7	Kerim GALAEV, Finland/Magas;



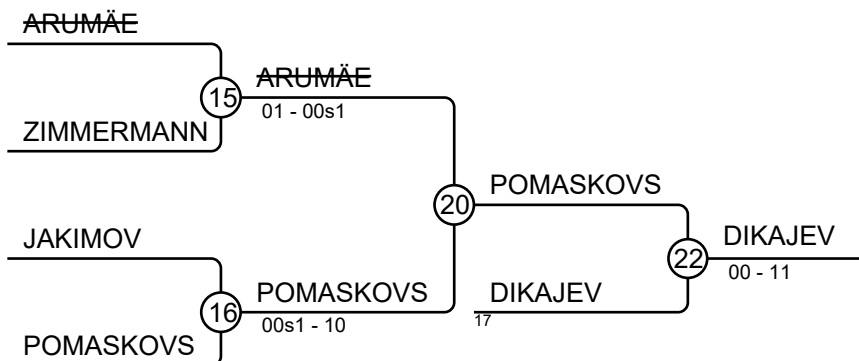
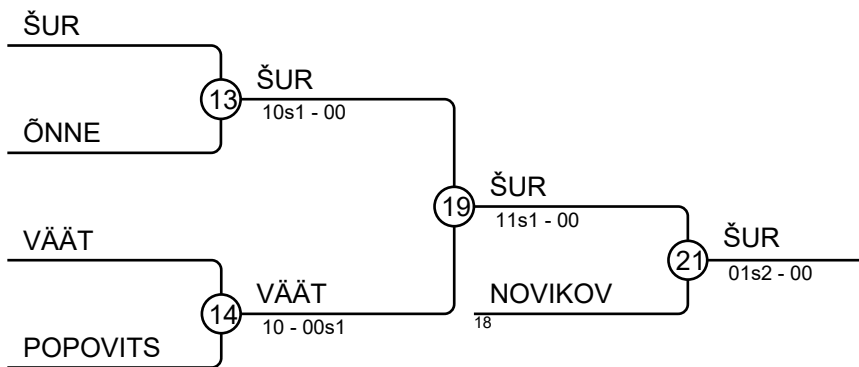
Audentes International Cup 13.04.2019 Tallinn BU14 -42kg

Competitors: 16



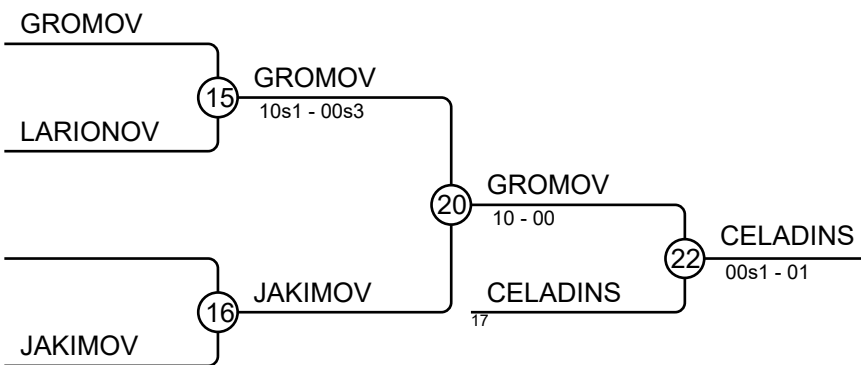
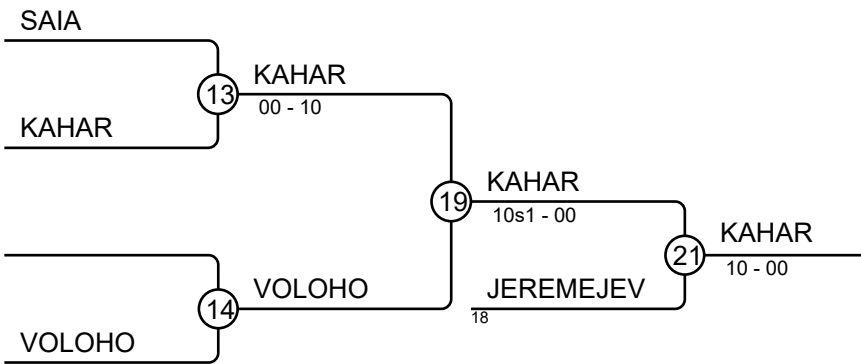
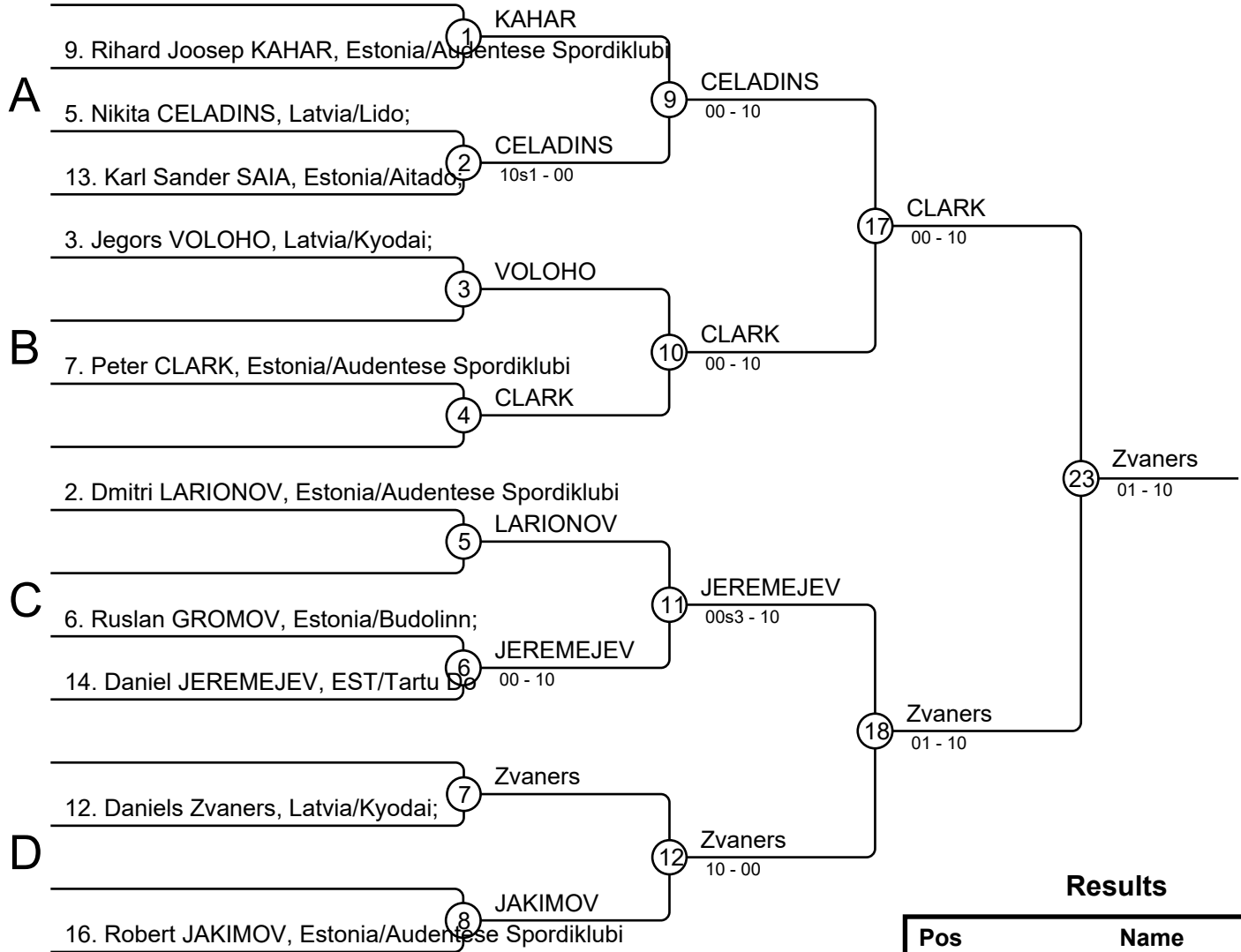
Results

Pos	Name
1	Artur DANIELJAN, Russia/Admiralteets
2	Tomass MANFELDS, Latvia/Kyodai;
3	Mihhail ŠUR, Estonia/Afina;
3	Saad DIKAJEV, Estonia/Audentese S
5	Jegor NOVIKOV, Estonia/Budolinn;
5	Markuss POMASKOVS, LAT/Kyodai
7	Rainis VÄÄT, Estonia/Barra;
7	



Audentes International Cup 13.04.2019 Tallinn BU14 -38kg

Competitors: 10



Results

Pos	Name
1	Daniels Zvaners, Latvia/Kyodai;
2	Peter CLARK, Estonia/Audentese Sp
3	Rihard Joosep KAHAR, Estonia/Aude
3	Nikita CELADINS, Latvia/Lido;
5	Daniel JEREMEJEV, EST/Tartu Do
5	Ruslan GROMOV, Estonia/Budolinn;
7	Jegors VOLOHO, Latvia/Kyodai;
7	Robert JAKIMOV, Estonia/Audentese

Audentes International Cup 13.04.2019 Tallinn BU14 -35kg

Competitors: 8

1. Asiri IBRAHIM, Saudi Arabia/Saudi Arabian Judo Federation;

A

5. Bert BERG, Estonia/Judoklubi Do;

① IBRAHIM
10 - 00s1

3. Patrik Tobias PINDMA, Estonia/Ookami;

B

7. Toms Kristians BIRKHANS, LAT/Kyodai;

② BIRKHANS
00 - 10

2. EDGAR ZABAVIN, Estonia/Audentese Spordiklubi

C

6. Ekke Emil KONNAPERERE, Estonia/Barra;

③ ZABAVIN
01 - 00

4. Simo LAOS, EST/Altia

D

8. Karl-Martin VILLAKO, Estonia/Judoklubi Do;

④ VILLAKO
00 - 11s1

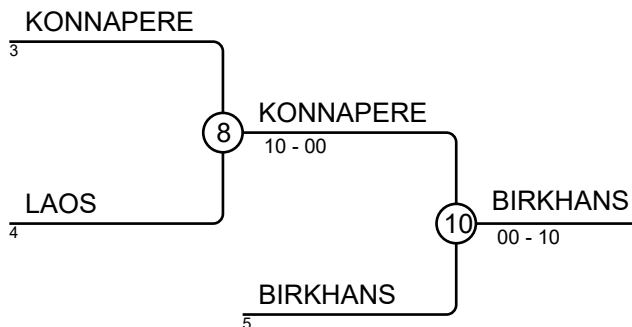
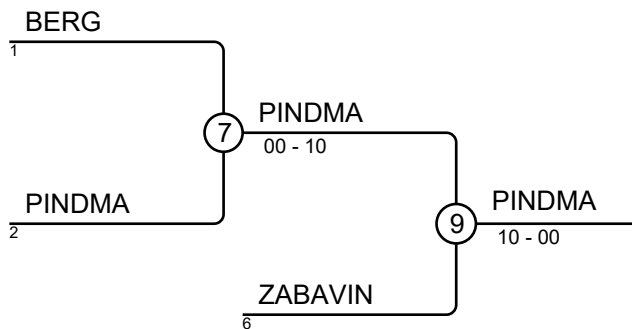
⑤ IBRAHIM
10s1 - 00

⑪ IBRAHIM
11 - 00

⑥ VILLAKO
00 - 10

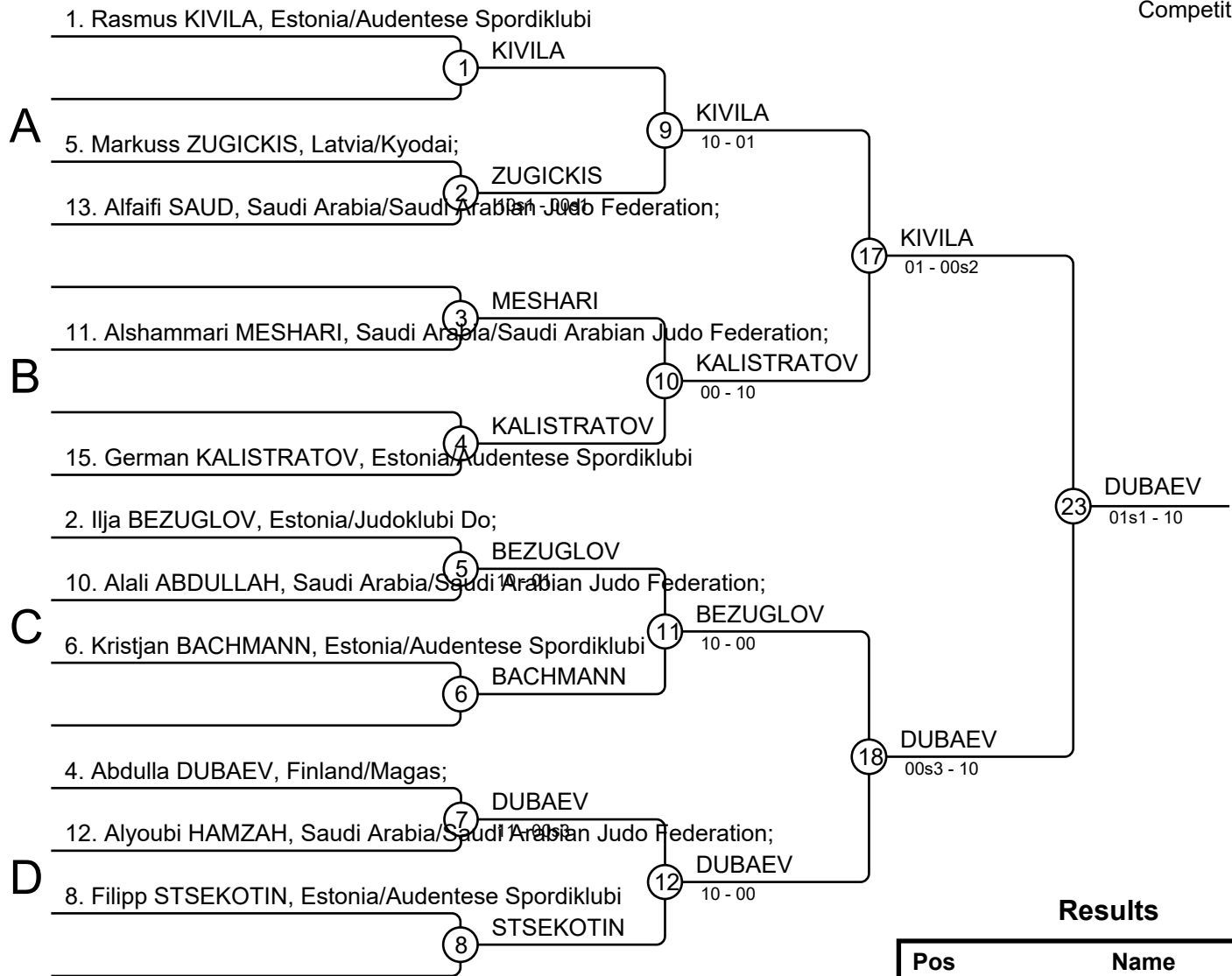
Results

Pos	Name
1	Asiri IBRAHIM, Saudi Arabia/Saudi A
2	Karl-Martin VILLAKO, Estonia/Judokl
3	Patrik Tobias PINDMA, Estonia/Ooka
3	Toms Kristians BIRKHANS, LAT/Kyo
5	EDGAR ZABAVIN, Estonia/Audentes
5	Ekke Emil KONNAPERERE, Estonia/Bar
7	Bert BERG, Estonia/Judoklubi Do;
7	Simo LAOS, EST/Altia



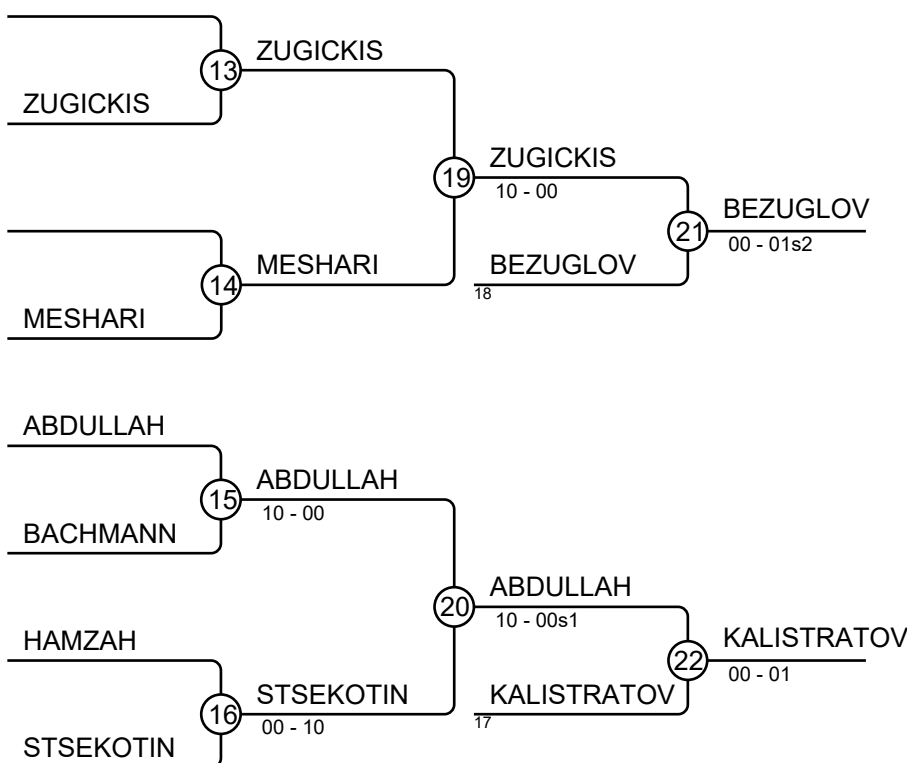
Audentes International Cup 13.04.2019 Tallinn BU14 -32kg

Competitors: 11



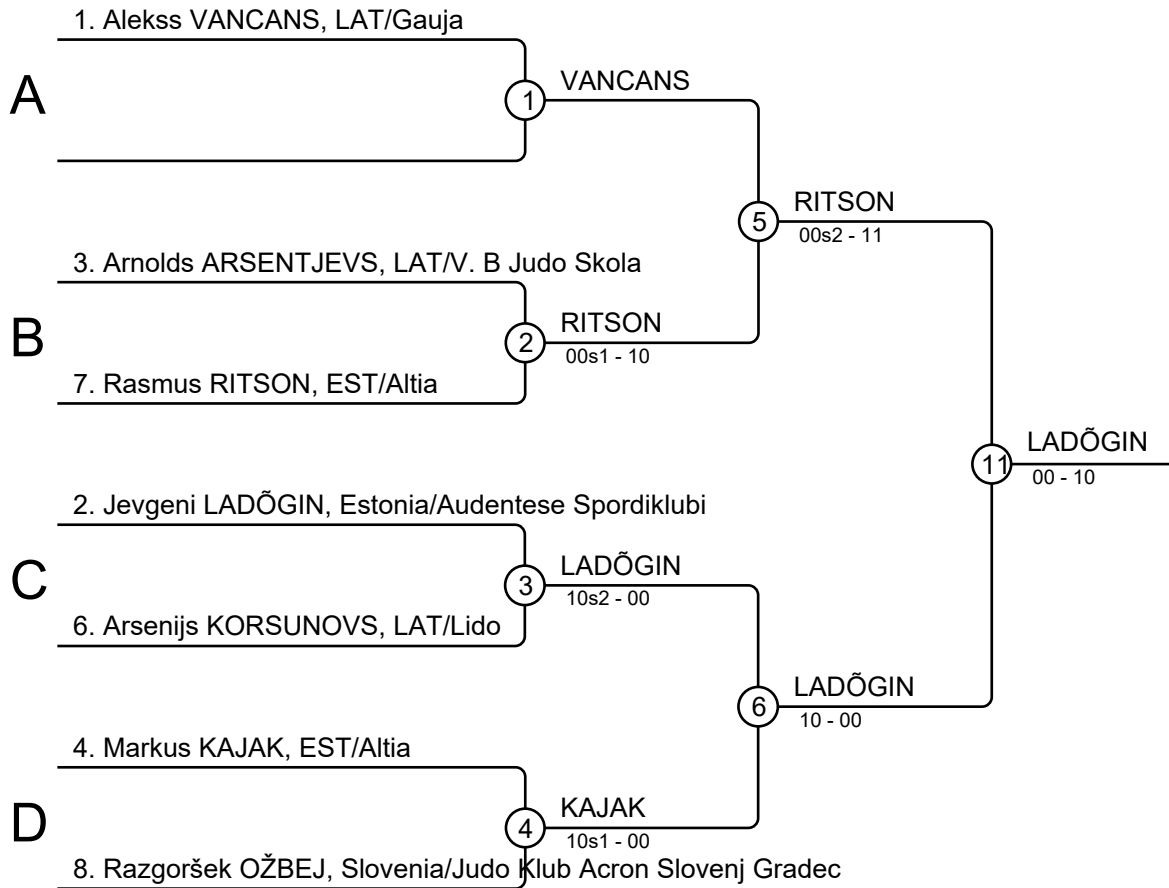
Results

Pos	Name
1	Abdulla DUBAEV, Finland/Magas;
2	Rasmus KIVILA, Estonia/Audentese S
3	Ilja BEZUGLOV, Estonia/Judoklubi D
3	German KALISTRATOV, Estonia/Auc
5	Markuss ZUGICKIS, Latvia/Kyodai;
5	Alali ABDULLAH, Saudi Arabia/Saudi
7	Alshammari MESHARI, Saudi Arabia
7	Filipp STSEKOTIN, Estonia/Audentes



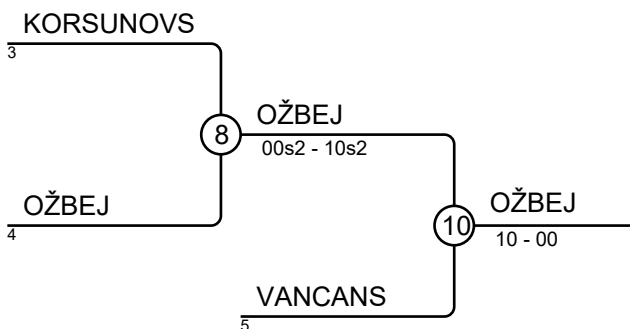
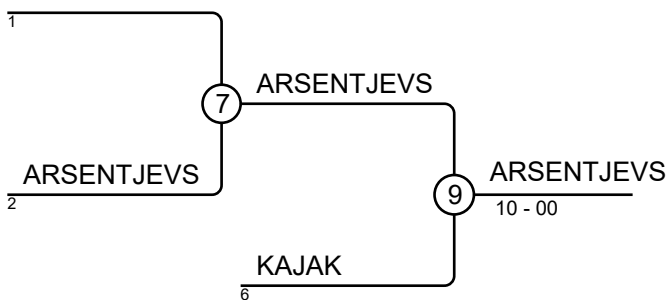
Audentes International Cup 13.04.2019 Tallinn BU14 +66kg

Competitors: 7



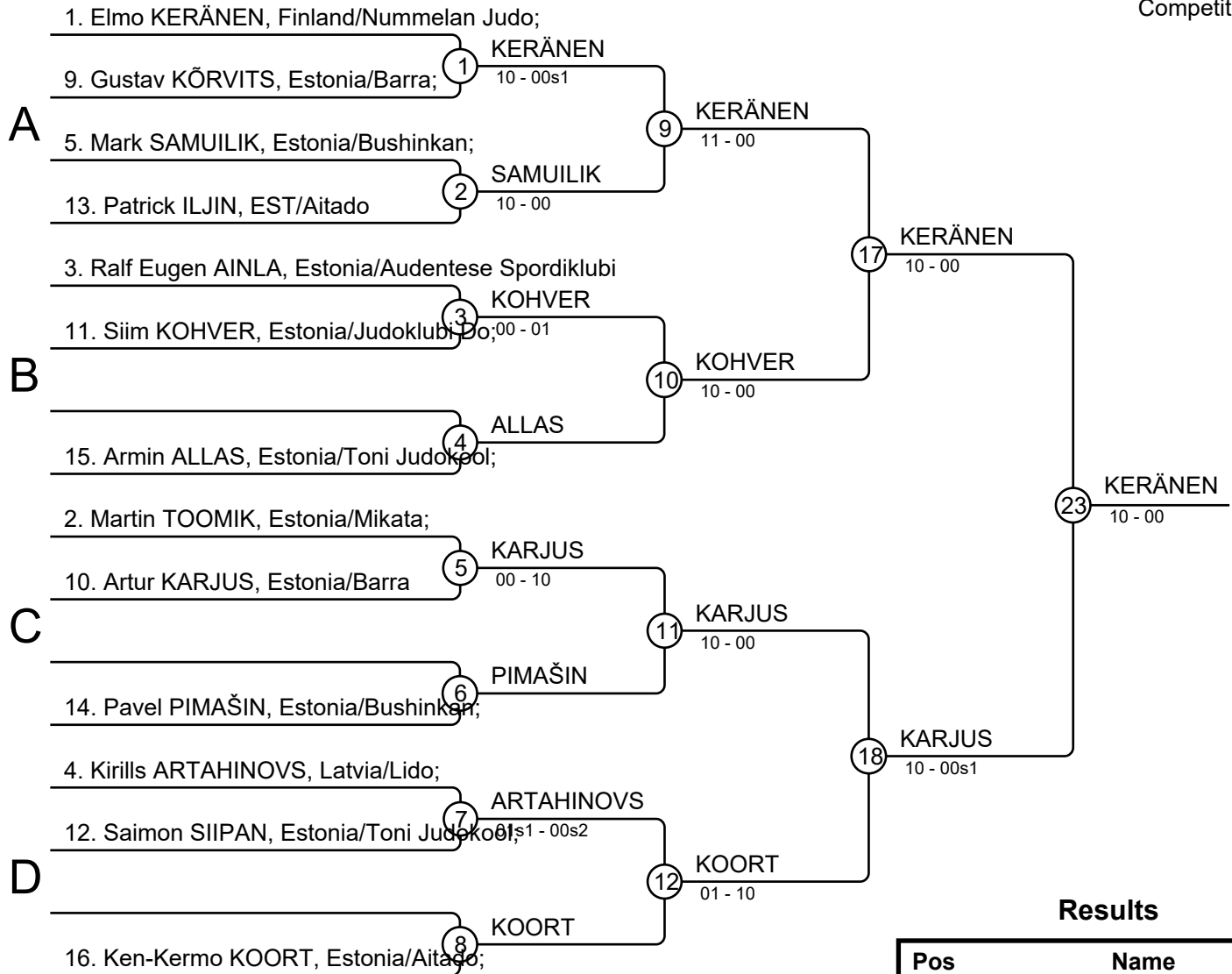
Results

Pos	Name
1	Jevgeni LADŌGIN, Estonia/Audentese Spordiklubi
2	Rasmus RITSON, EST/Altia
3	Arnolds ARSENTJEVS, LAT/V. B Judo Skola
3	Razgoršek OŽBEJ, Slovenia/Judo Klub Acron Slovenj Gradec
5	Markus KAJAK, EST/Altia
5	Alekss VANCANS, LAT/Gauja
7	
7	Arsenijs KORSUNOVŠ, LAT/Lido



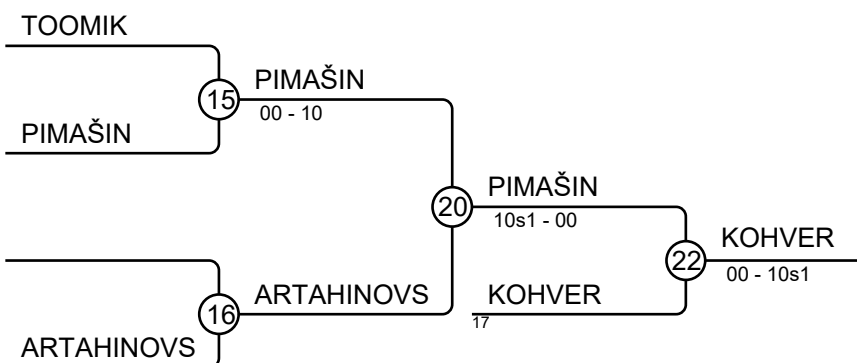
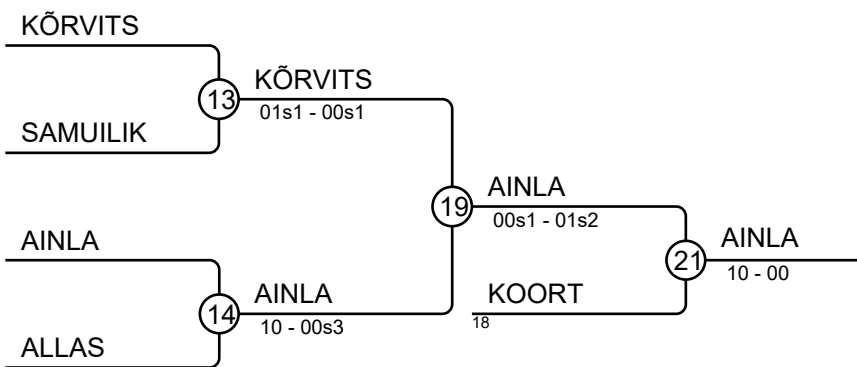
Audentes International Cup 13.04.2019 Tallinn BU12-50kg

Competitors: 13



Results

Pos	Name
1	Elmo KERÄNEN, Finland/Nummelan
2	Artur KARJUS, Estonia/Barra
3	Ralf Eugen AINLA, Estonia/Audentese
3	Siim KOHVER, Estonia/Judoklubi Do
5	Ken-Kermo KOORT, Estonia/Aitado;
5	Pavel PIMAŠIN, Estonia/Bushinkan;
7	Gustav KÕRVITS, Estonia/Barra;
7	Kirills ARTAHINOV, Latvia/Lido;



Audentes International Cup 13.04.2019 Tallinn BU12-44kg

Competitors

Competitors: 5

#	Name	Grade	Club	1	2	3	4	5	Wins	Pts	Pos
1	Albert VÕBÕRNÕI	?	Estonia/Dokyo;		10				1	10	3
2	Almalki SAUD	?	Saudi Arabia/Saudi Arabian Judo Federation;						0	0	5
3	Ken Marten SAAR	?	EST/Do	10	10			10	3	30	2
4	Vladislav KARTSEVSKI	?	Estonia/Budolinn;	10	10	1		10	4	31	1
5	Aleksander PIMAŠIN	?	Estonia/Bushinkan;	10	10				2	20	3

Matches

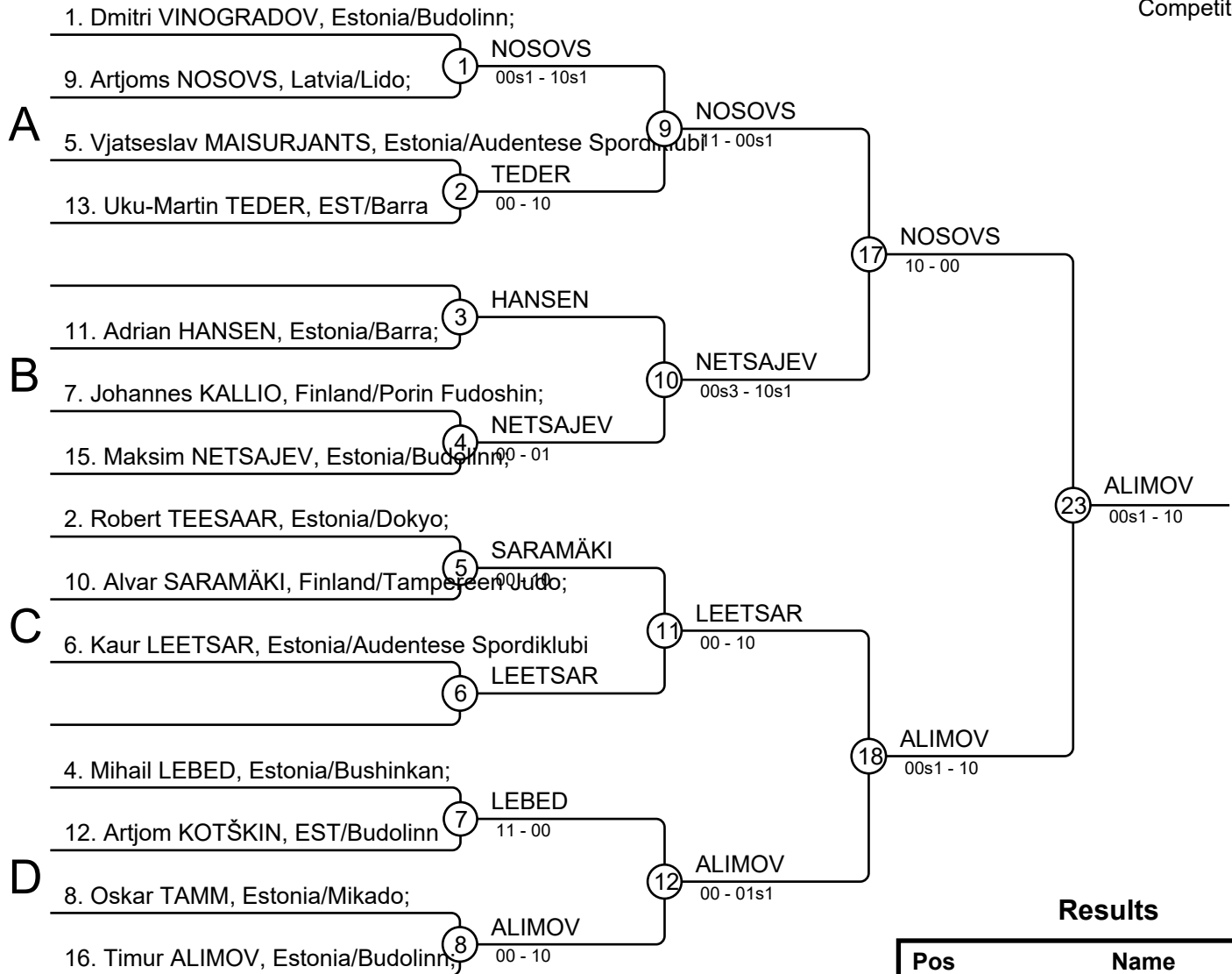
Match	White	Blue	Result	Time
1	Vladislav KARTSEVSKI 4 5	Aleksander PIMAŠIN	10-00	0:17
2	Albert VÕBÕRNÕI 1 2	Almalki SAUD	10-00	0:20
3	Ken Marten SAAR 3 4	Vladislav KARTSEVSKI	00s2-01s1	2:00
4	Albert VÕBÕRNÕI 1 5	Aleksander PIMAŠIN	01-10	1:58
5	Almalki SAUD 2 3	Ken Marten SAAR	00-10	0:07
6	Albert VÕBÕRNÕI 1 4	Vladislav KARTSEVSKI	01s3-10	1:32
7	Ken Marten SAAR 3 5	Aleksander PIMAŠIN	10-00	0:20
8	Almalki SAUD 2 4	Vladislav KARTSEVSKI	00s1-11	0:33
9	Albert VÕBÕRNÕI 1 3	Ken Marten SAAR	00-10	0:00
10	Almalki SAUD 2 5	Aleksander PIMAŠIN	00-10	0:35

Results

Pos	Name
1	Vladislav KARTSEVSKI, Estonia/Budolinn;
2	Ken Marten SAAR , EST/Do
3	Aleksander PIMAŠIN, Estonia/Bushinkan;
3	Albert VÕBÕRNÕI, Estonia/Dokyo;
5	Almalki SAUD, Saudi Arabia/Saudi Arabian Judo Federation;

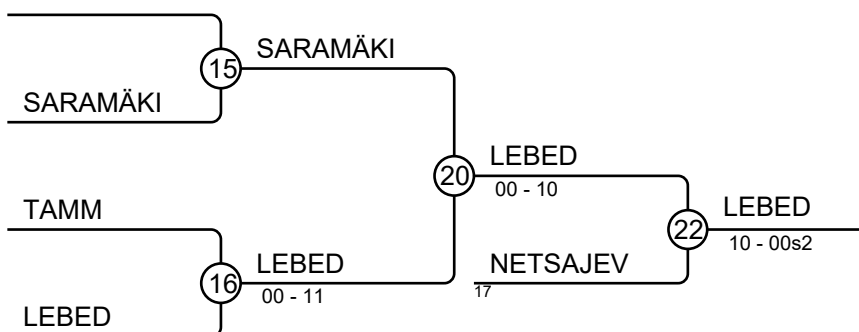
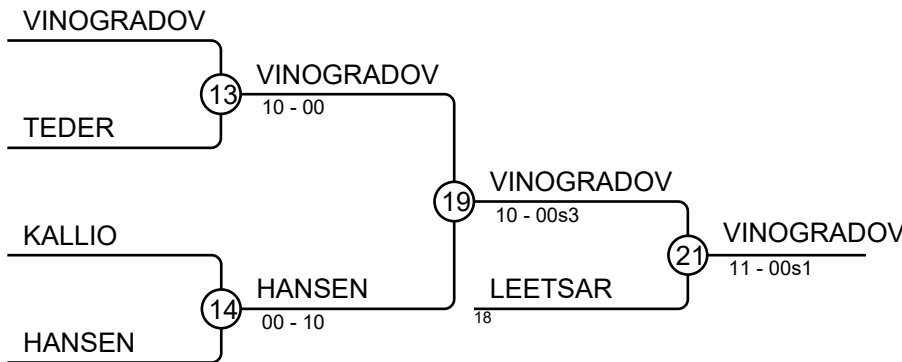
Audentes International Cup 13.04.2019 Tallinn BU12-40kg

Competitors: 14



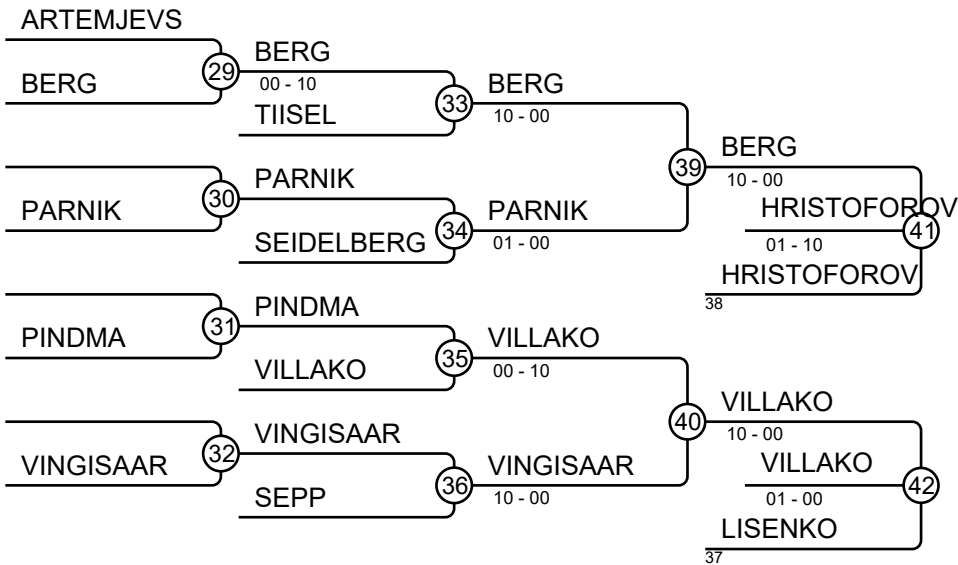
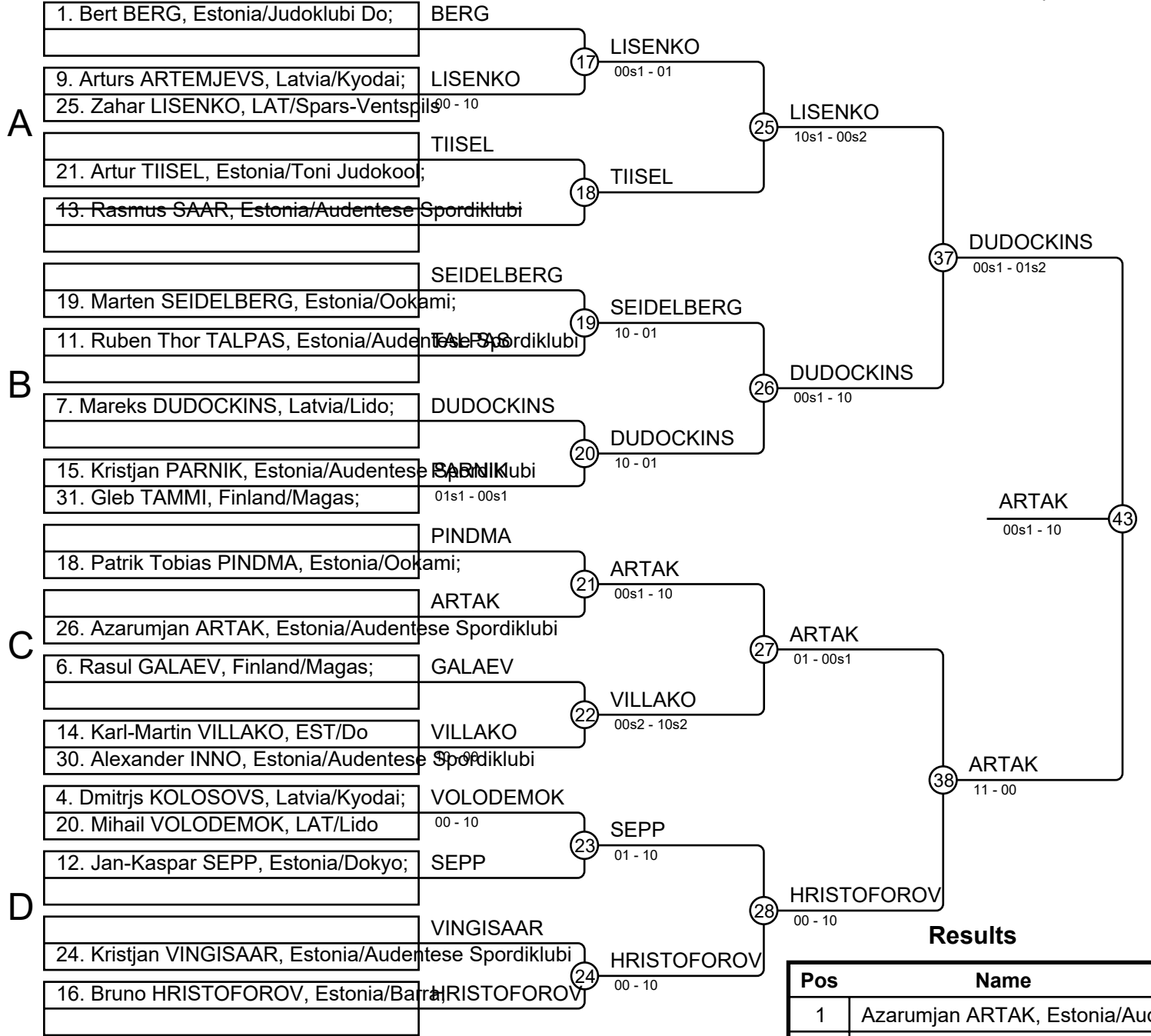
Results

Pos	Name
1	Timur ALIMOV, Estonia/Budolinn;
2	Artjoms NOSOVVS, Latvia/Lido;
3	Dmitri VINOGRADOV, Estonia/Budolinn;
3	Mihail LEBED, Estonia/Bushinkan;
5	Kaur LEETSAR, Estonia/Audentese Spordiklubi;
5	Maksim NETSAJEV, Estonia/Budolinn;
7	Adrian HANSEN, Estonia/Barra;
7	Alvar SARAMÄKI, Finland/Tampereen Judo;



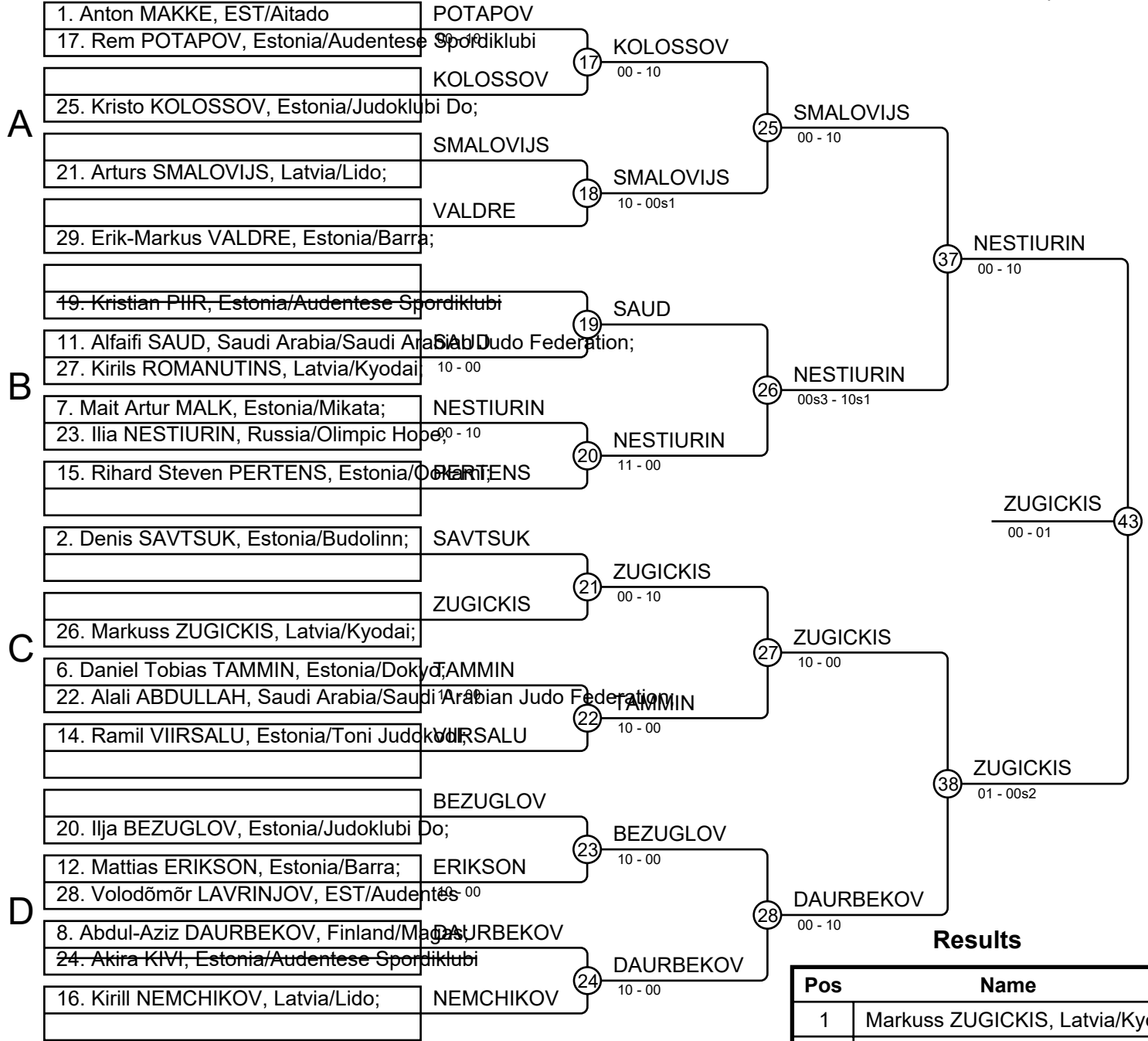
Audentes International Cup 13.04.2019 Tallinn BU12-36kg

Competitors: 20



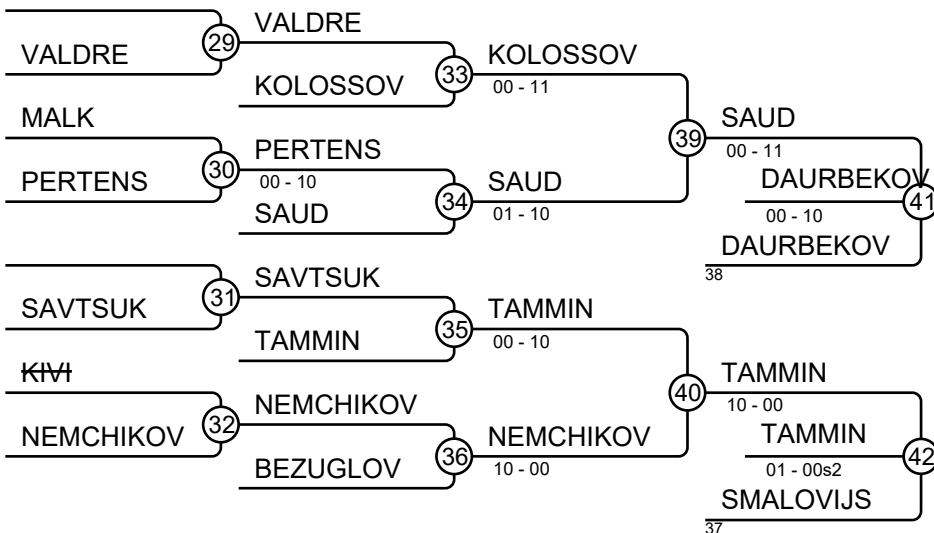
Audentes International Cup 13.04.2019 Tallinn BU12-33kg

Competitors: 22



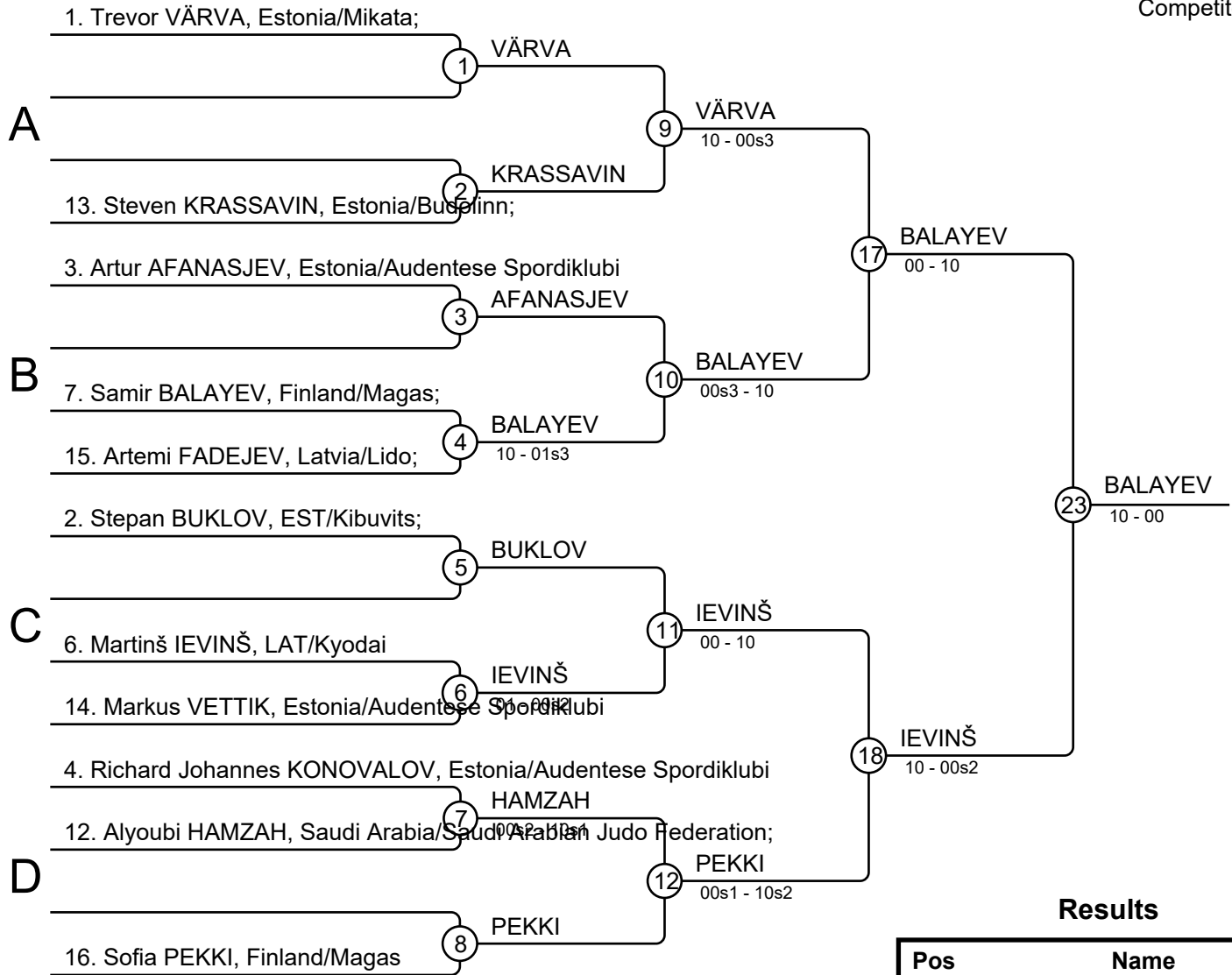
Results

Pos	Name
1	Markuss ZUGICKIS, Latvia/Kyodai;
2	Iliia NESTIURIN, Russia/Olimpic Hope;
3	Abdul-Aziz DAURBEKOV, Finland/Magas;
3	Daniel Tobias TAMMIN, Estonia/Dokud;
5	Alfaifi SAUD, Saudi Arabia/Saudi Arabia;
5	Arturs SMALOVIJS, Latvia/Lido;
7	Kristo KOLOSISOV, Estonia/Judoklubi Do;
7	Kirill NEMCHIKOV, Latvia/Lido;



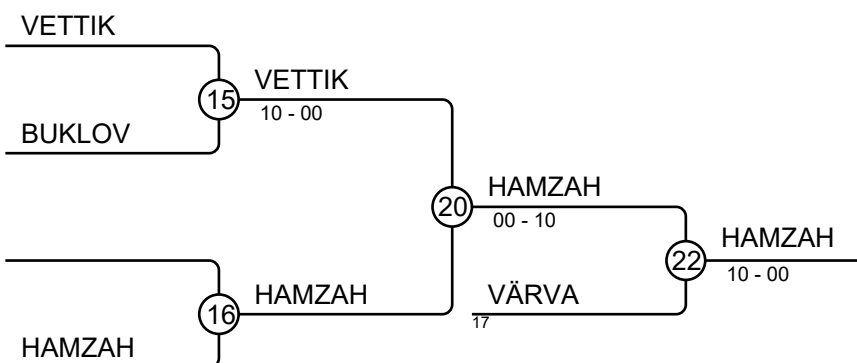
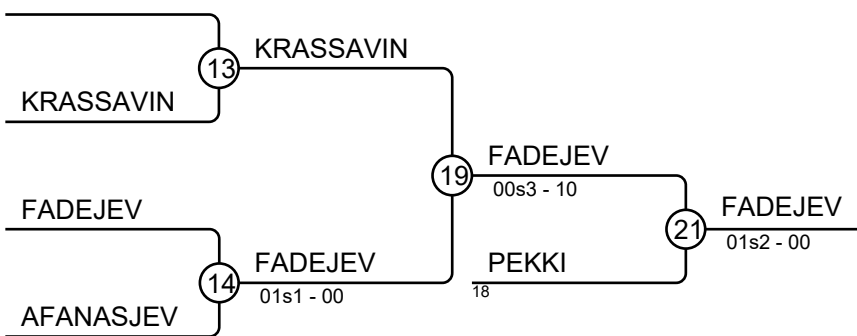
Audentes International Cup 13.04.2019 Tallinn BU12-30KG

Competitors: 11



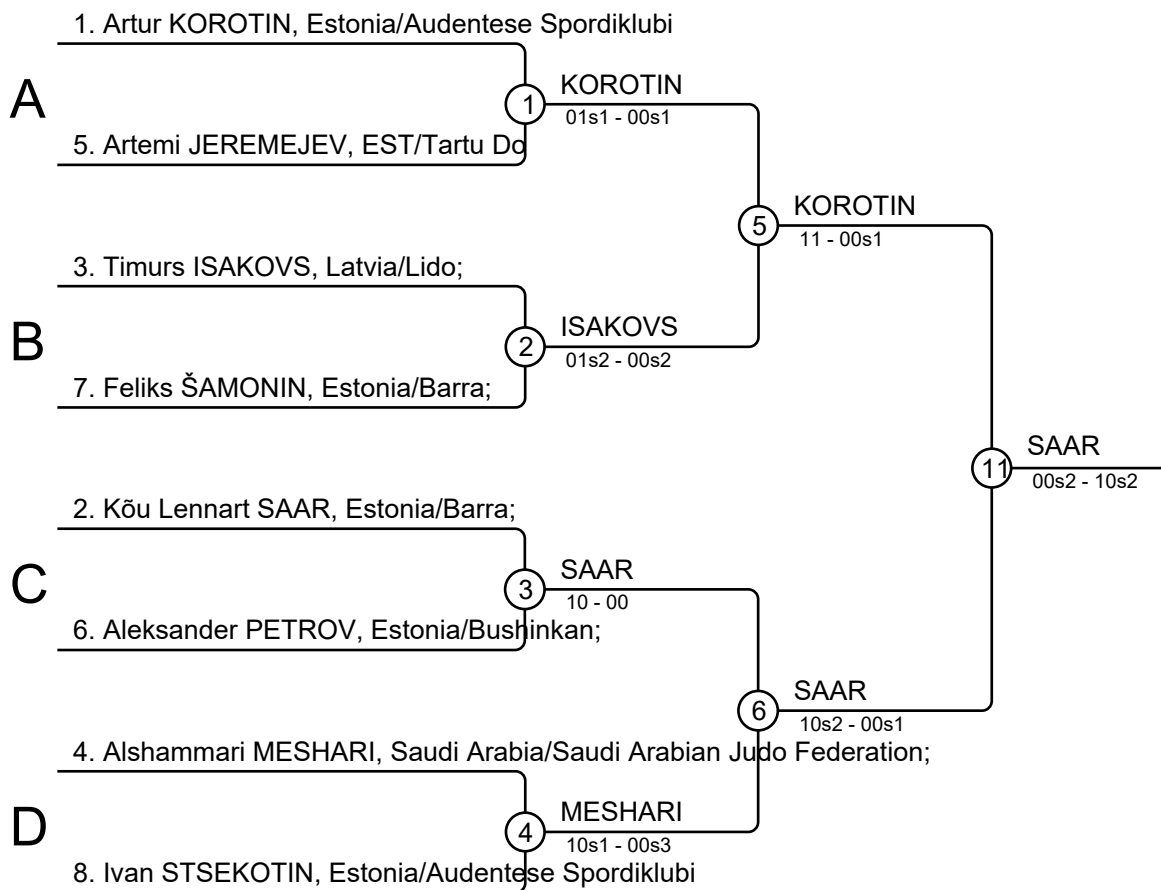
Results

Pos	Name
1	Samir BALAYEV, Finland/Magas;
2	Martinš IEVINŠ, LAT/Kyodai
3	Artemi FADEJEV, Latvia/Lido;
3	Alyoubi HAMZAH, Saudi Arabia/Saudi Arabian Judo Federation;
5	Sofia PEKKI, Finland/Magas
5	Trevor VÄRVA, Estonia/Mikata;
7	Steven KRASSAVIN, Estonia/Budolinn;
7	Markus VETTIK, Estonia/Audentese Spordiklubi



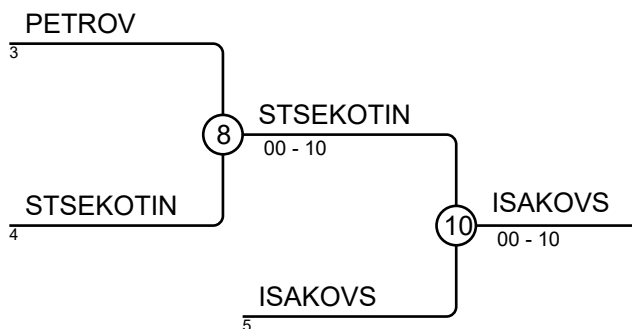
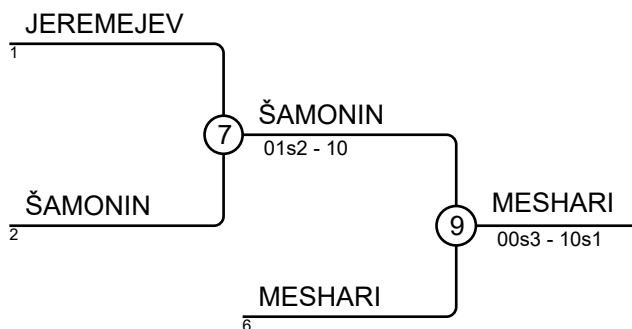
Audentes International Cup 13.04.2019 Tallinn BU12-27kg

Competitors: 8



Results

Pos	Name
1	Kõu Lennart SAAR, Estonia/Barra;
2	Artur KOROTIN, Estonia/Audentese S
3	Alshammari MESHARI, Saudi Arabia
3	Timurs ISAKOVS, Latvia/Lido;
5	Feliks ŠAMONIN, Estonia/Barra;
5	Ivan STSEKOTIN, Estonia/Audentese
7	Artemi JEREMEJEV, EST/Tartu Do
7	Aleksander PETROV, Estonia/Bushin



Audentes International Cup 13.04.2019 Tallinn BU12+50kg

Competitors

Competitors: 5

#	Name	Grade	Club	1	2	3	4	5	Wins	Pts	Pos
1	Rodion IVANOV	?	Estonia/Budolinn;					1	1	1	3
2	Georg-Samuel JÜRGENSON	?	EST/Ookami	1				10	2	11	3
3	Rihards DONIS	?	Latvia/Makkabi;	10	10		10	10	4	40	1
4	Kristo KIMMEL	?	Estonia/Taifu;	10	10			10	3	30	2
5	NIKOLAS LJAŠENKO	?	Estonia/Audentese Spordiklubi						0	0	5

Matches

Match	White	Blue	Result	Time
1	Kristo KIMMEL	4 5 NIKOLAS LJAŠENKO	10-00	1:01
2	Rodion IVANOV	1 2 Georg-Samuel JÜRGENSON	00-01	2:00
3	Rihards DONIS	3 4 Kristo KIMMEL	10-00	0:16
4	Rodion IVANOV	1 5 NIKOLAS LJAŠENKO	11s1-01s1	2:24
5	Georg-Samuel JÜRGENSON	2 3 Rihards DONIS	00s3-11	0:54
6	Rodion IVANOV	1 4 Kristo KIMMEL	00-10	0:18
7	Rihards DONIS	3 5 NIKOLAS LJAŠENKO	11s1-00	1:18
8	Georg-Samuel JÜRGENSON	2 4 Kristo KIMMEL	00-10	0:00
9	Rodion IVANOV	1 3 Rihards DONIS	00s2-10s1	1:54
10	Georg-Samuel JÜRGENSON	2 5 NIKOLAS LJAŠENKO	10-00	1:01

Results

Pos	Name
1	Rihards DONIS, Latvia/Makkabi;
2	Kristo KIMMEL, Estonia/Taifu;
3	Georg-Samuel JÜRGENSON, EST/Ookami
3	Rodion IVANOV, Estonia/Budolinn;
5	NIKOLAS LJAŠENKO, Estonia/Audentese Spordiklubi