

Estonian Open 2014, Tartu Estonia 01.03.2014 M+100

Competitors: 5

Competitors

| # | Name | Grade | Club | 1 | 2 | 3 | 4 | 5 | Wins | Pts | Pos |
|---|---------------------|-------|-------------------|----|----|---|---|----|------|-----|-----|
| 1 | Jonas LAURINTIS | ? | LTU/LTU | | 10 | | | 1 | 2 | 11 | 3 |
| 2 | Ralfs RUSINS | ? | LAT/Pierigas BJSS | | | | | | 0 | 0 | 5 |
| 3 | Sebastian FAGERHILL | ? | SWE/SWE | 10 | 10 | | 7 | 10 | 4 | 37 | 1 |
| 4 | Hennrich SILDVEER | ? | EST/Ookami | 10 | 7 | | | 10 | 3 | 27 | 2 |
| 5 | Hookan LEMBER | ? | EST/Ookami | | 10 | | | | 1 | 10 | 4 |

Matches

| Match | White | | Blue | | Result | Time |
|-------|---------------------|---|------|---------------------|--------|------|
| 1 | Hennrich SILDVEER | 4 | 5 | Hookan LEMBER | 10 - 0 | 0:32 |
| 2 | Jonas LAURINTIS | 1 | 2 | Ralfs RUSINS | 10 - 0 | 1:38 |
| 3 | Sebastian FAGERHILL | 3 | 4 | Hennrich SILDVEER | 7 - 0 | 4:00 |
| 4 | Jonas LAURINTIS | 1 | 5 | Hookan LEMBER | 1 - 0 | 4:00 |
| 5 | Ralfs RUSINS | 2 | 3 | Sebastian FAGERHILL | 0 - 10 | 0:47 |
| 6 | Jonas LAURINTIS | 1 | 4 | Hennrich SILDVEER | 0 - 10 | 0:39 |
| 7 | Sebastian FAGERHILL | 3 | 5 | Hookan LEMBER | 10 - 0 | 0:34 |
| 8 | Ralfs RUSINS | 2 | 4 | Hennrich SILDVEER | 0 - 7 | 4:00 |
| 9 | Jonas LAURINTIS | 1 | 3 | Sebastian FAGERHILL | 0 - 10 | 1:11 |
| 10 | Ralfs RUSINS | 2 | 5 | Hookan LEMBER | 0 - 10 | 1:14 |

Results

| Pos | Name |
|-----|---------------------------------|
| 1 | Sebastian FAGERHILL, SWE/SWE |
| 2 | Hennrich SILDVEER, EST/Ookami |
| 3 | Jonas LAURINTIS, LTU/LTU |
| 4 | Hookan LEMBER, EST/Ookami |
| 5 | Ralfs RUSINS, LAT/Pierigas BJSS |

Estonian Open 2014, Tartu Estonia 01.03.2014 M-100

Competitors: 5

Competitors

| # | Name | Grade | Club | 1 | 2 | 3 | 4 | 5 | Wins | Pts | Pos |
|---|------------------|-------|-------------|----|----|---|----|----|------|-----|-----|
| 1 | Algis SIMKAITIS | ? | LAT/LAT | | 10 | | 10 | 10 | 3 | 30 | 2 |
| 2 | Elvis KOPMANIS | ? | LAT/Aluksne | | | | 10 | 10 | 2 | 20 | 3 |
| 3 | Rokas SIMONIS | ? | LTU/LTU | 10 | 10 | | 5 | 10 | 4 | 35 | 1 |
| 4 | Tatu TURUNEN | ? | FIN/FIN | | | | | 10 | 1 | 10 | 4 |
| 5 | Juho PUUMALAINEN | ? | FIN/FIN | | | | | | 0 | 0 | 5 |

Matches

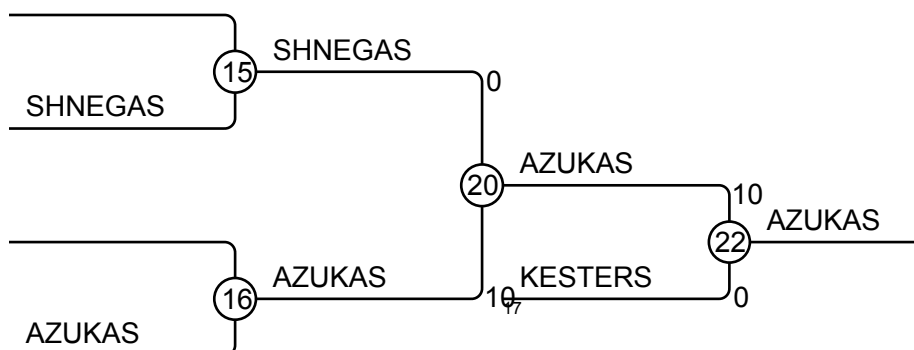
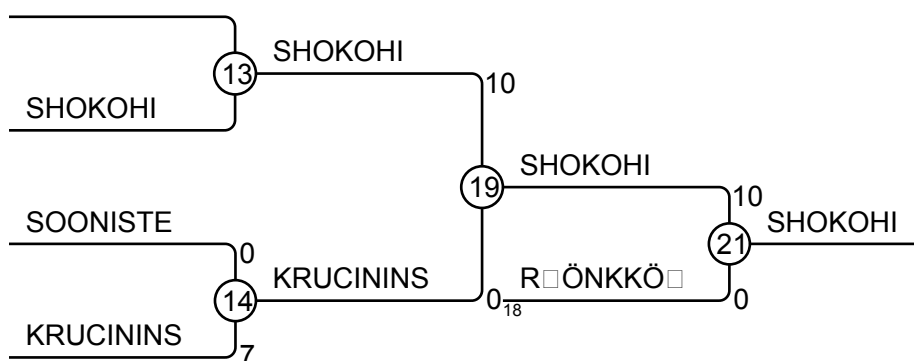
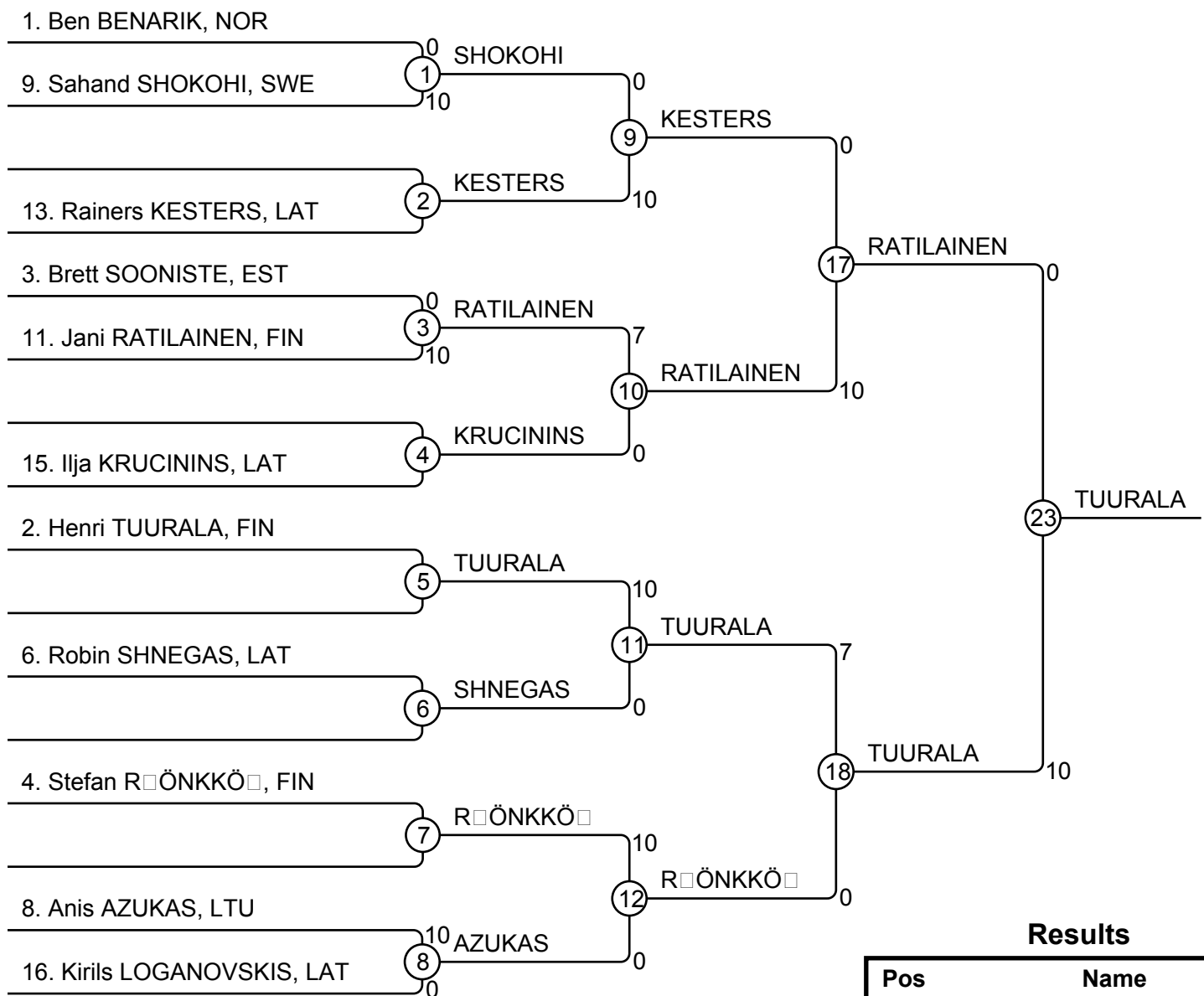
| Match | White | | Blue | | Result | Time |
|-------|-----------------|---|------|------------------|--------|------|
| 1 | Tatu TURUNEN | 4 | 5 | Juho PUUMALAINEN | 10 - 0 | 3:46 |
| 2 | Algis SIMKAITIS | 1 | 2 | Elvis KOPMANIS | 10 - 0 | 3:23 |
| 3 | Rokas SIMONIS | 3 | 4 | Tatu TURUNEN | 5 - 0 | 4:00 |
| 4 | Algis SIMKAITIS | 1 | 5 | Juho PUUMALAINEN | 10 - 0 | 3:20 |
| 5 | Elvis KOPMANIS | 2 | 3 | Rokas SIMONIS | 0 - 10 | 4:00 |
| 6 | Algis SIMKAITIS | 1 | 4 | Tatu TURUNEN | 10 - 0 | 3:49 |
| 7 | Rokas SIMONIS | 3 | 5 | Juho PUUMALAINEN | 10 - 0 | 1:48 |
| 8 | Elvis KOPMANIS | 2 | 4 | Tatu TURUNEN | 10 - 0 | 3:39 |
| 9 | Algis SIMKAITIS | 1 | 3 | Rokas SIMONIS | 0 - 10 | 3:06 |
| 10 | Elvis KOPMANIS | 2 | 5 | Juho PUUMALAINEN | 10 - 0 | 3:29 |

Results

| Pos | Name |
|-----|-----------------------------|
| 1 | Rokas SIMONIS, LTU/LTU |
| 2 | Algis SIMKAITIS, LAT/LAT |
| 3 | Elvis KOPMANIS, LAT/Aluksne |
| 4 | Tatu TURUNEN, FIN/FIN |
| 5 | Juho PUUMALAINEN, FIN/FIN |

Estonian Open 2014, Tartu Estonia 01.03.2014 M-60

Competitors: 11

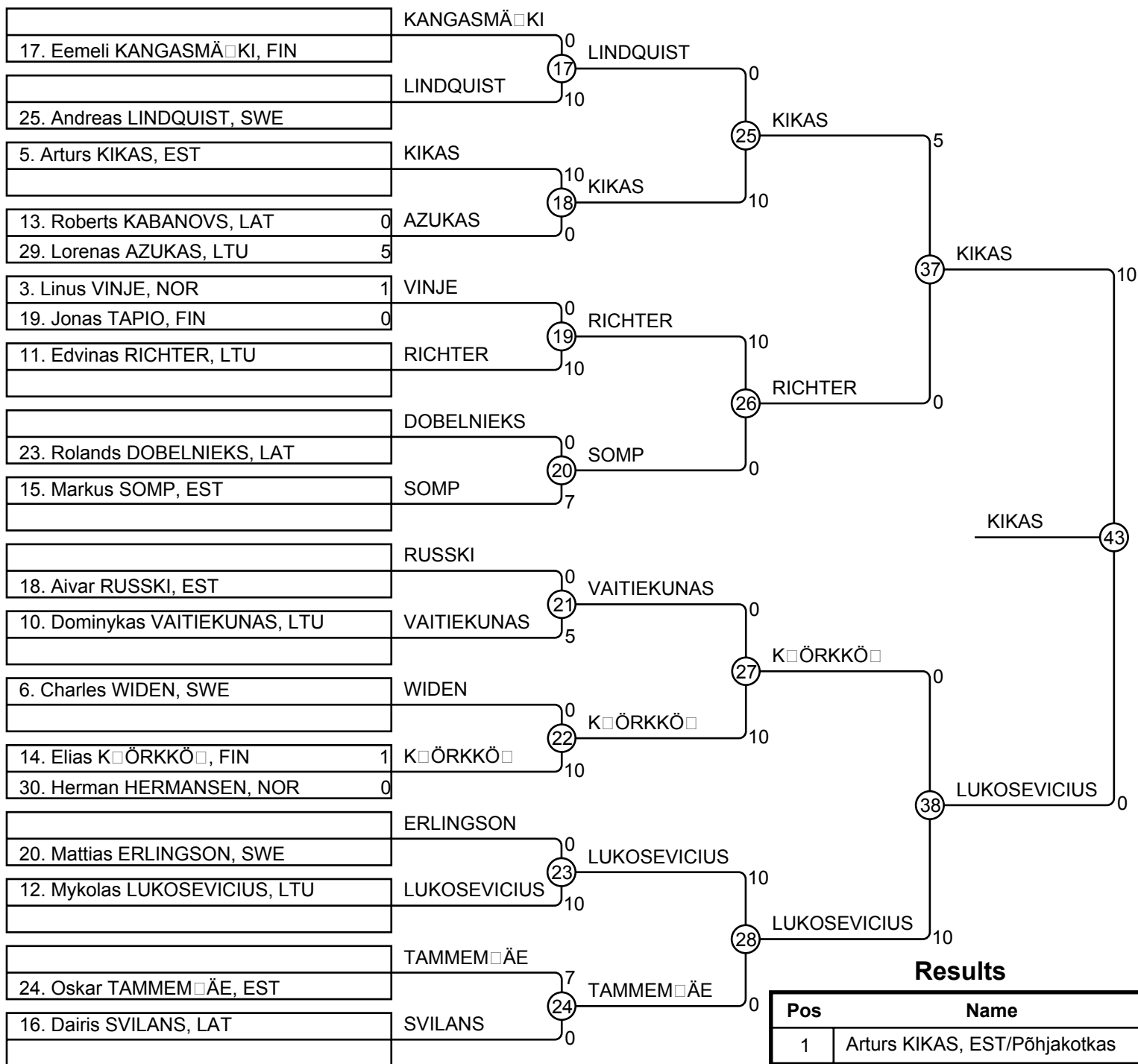


Results

| Pos | Name |
|-----|--------------------------------|
| 1 | Henri TUURALA, FIN/FIN |
| 2 | Jani RATILAINEN, FIN/FIN |
| 3 | Sahand SHOKOHI, SWE/Göteborg J |
| 3 | Anis AZUKAS, LTU/LTU |
| 5 | Stefan Rönkkö, FIN/FIN |
| 5 | Rainers KESTERS, LAT/Aluksne |
| 7 | Ilja KRUCININS, LAT/Liepaja |
| 7 | Robin SHNEGAS, LAT/Singitaj |

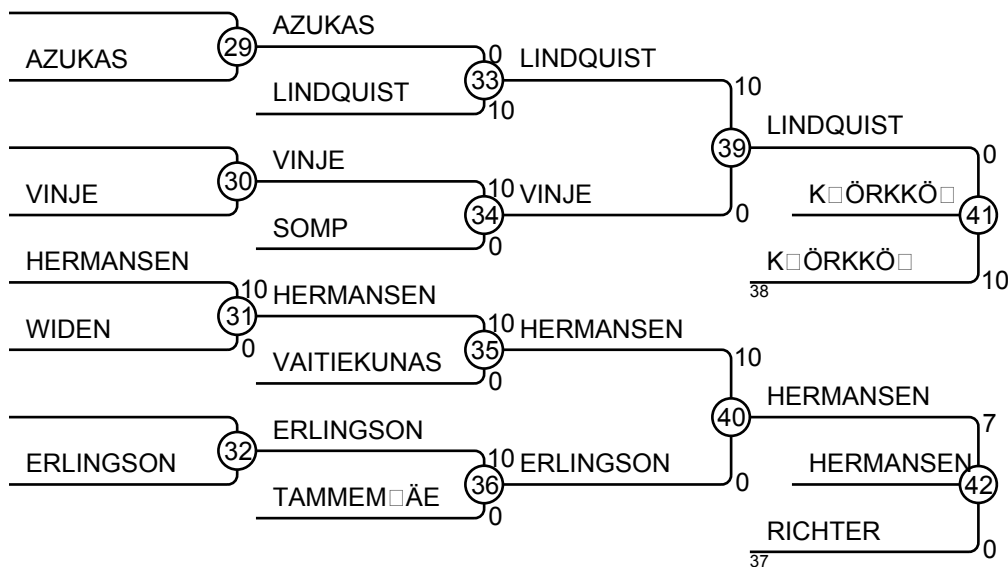
Estonian Open 2014, Tartu Estonia 01.03.2014 M-66

Competitors: 19



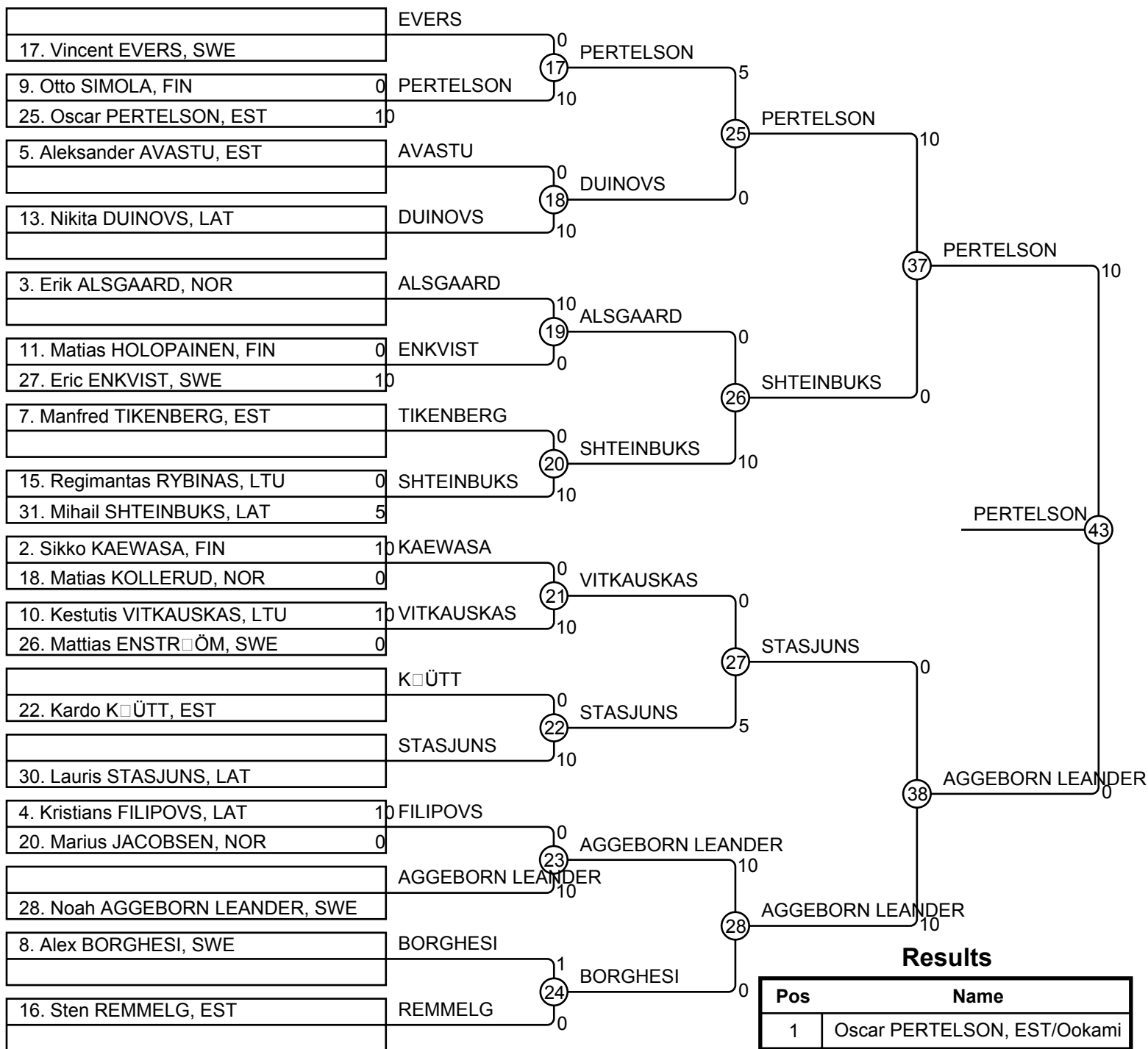
Results

| Pos | Name |
|-----|-------------------------------|
| 1 | Arturs KIKAS, EST/Põhjakotkas |
| 2 | Mykolas LUKOSEVICIUS, LTU/LTU |
| 3 | Elias KÖRKKÖ, FIN/FIN |
| 3 | Herman HERMANSEN, NOR/NOR |
| 5 | Andreas LINDQUIST, SWE/SWE |
| 5 | Edvinas RICHTER, LTU/LTU |
| 7 | Linus VINJE, NOR/NOR |
| 7 | Mattias ERLINGSON, SWE/SWE |



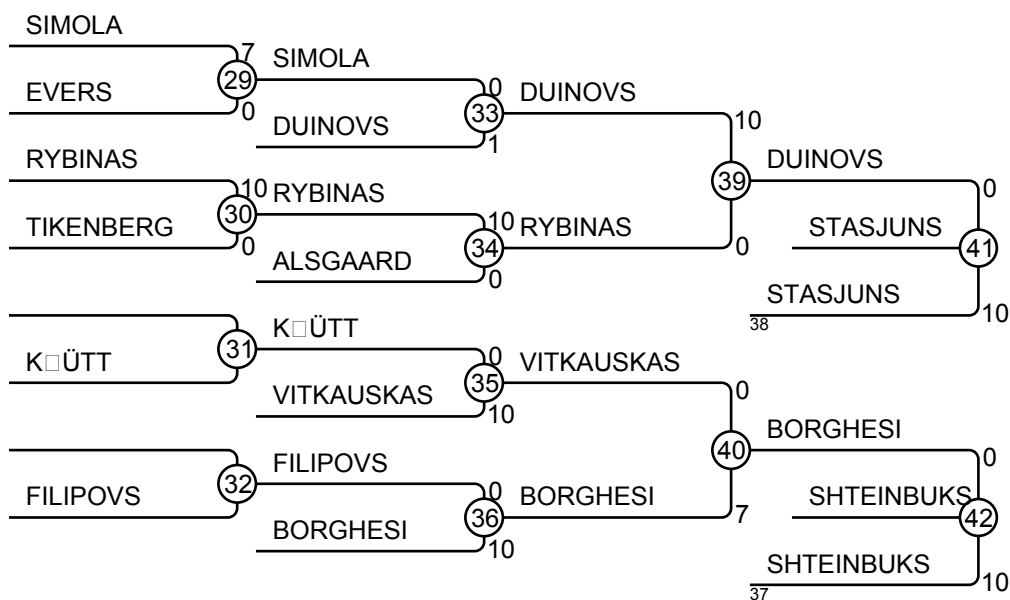
Estonian Open 2014, Tartu Estonia 01.03.2014 M-73

Competitors: 22



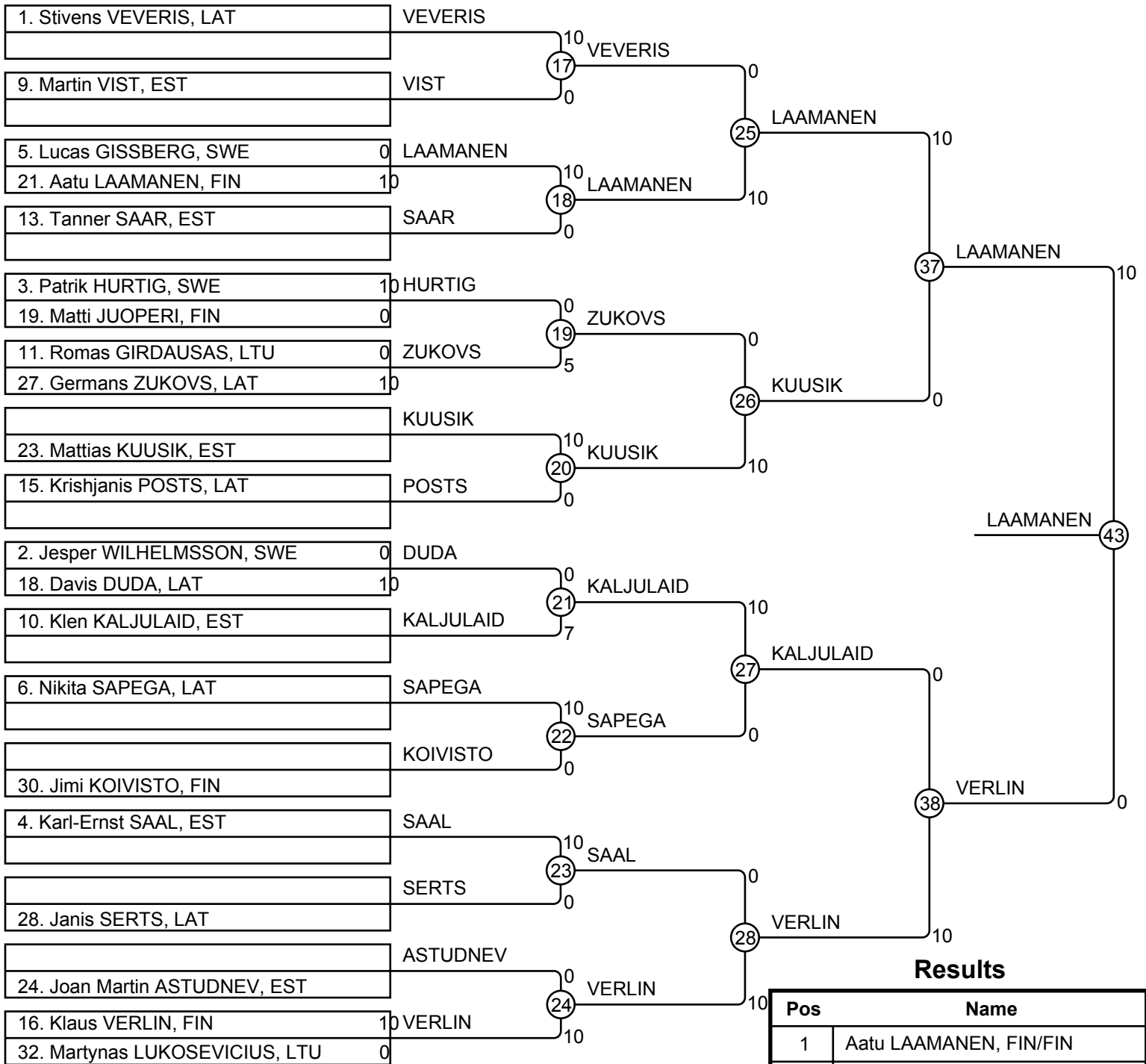
Results

| Pos | Name |
|-----|--|
| 1 | Oscar PERTELSON, EST/Ookami |
| 2 | Noah AGGEBORN LEANDER, SWE/Gröndals IF |
| 3 | Lauris STASJUNS, LAT/Lido |
| 3 | Mihail SHTEINBUKS, LAT/LAT |
| 5 | Nikita DUINOVS, LAT/Liepaja |
| 5 | Alex BORGHESI, SWE/Lindome JC |
| 7 | Regimantas RYBINAS, LTU/LTU |
| 7 | Kestutis VITKAUSKAS, LTU/LTU |



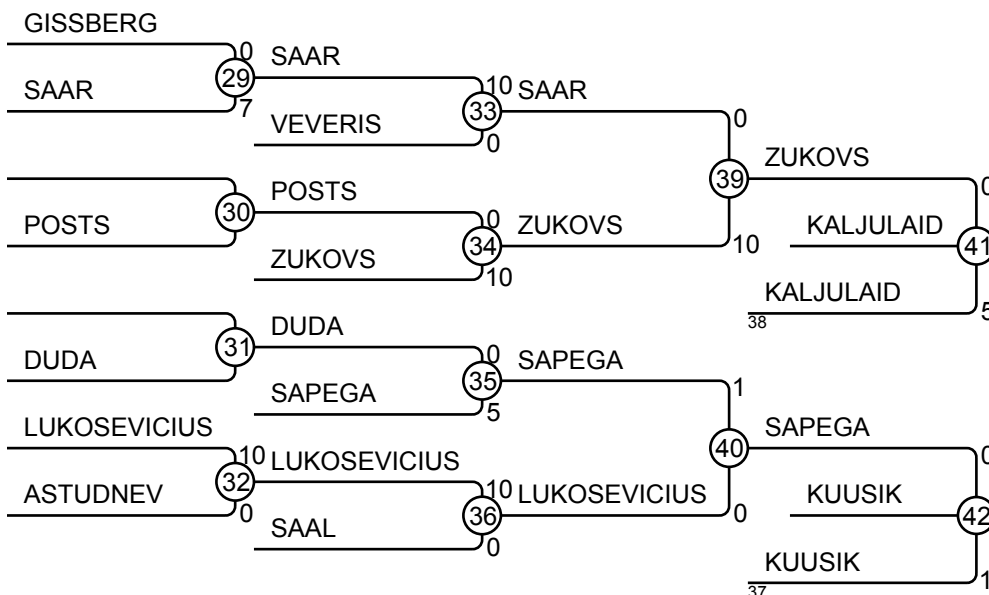
Estonian Open 2014, Tartu Estonia 01.03.2014 M-81

Competitors: 21



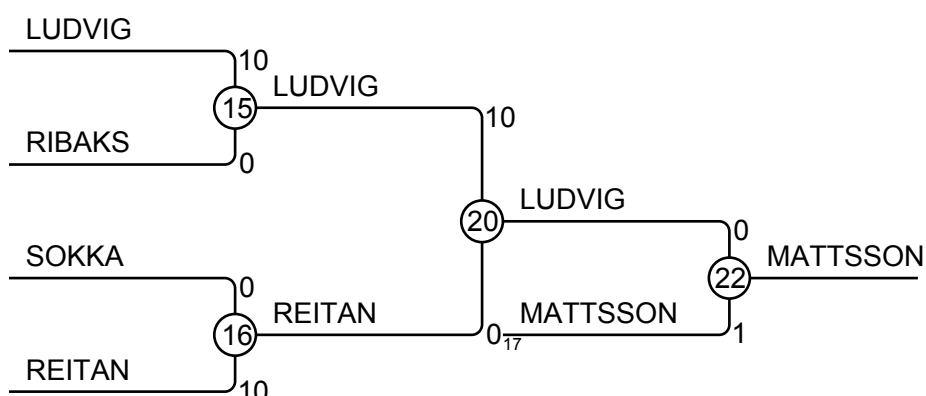
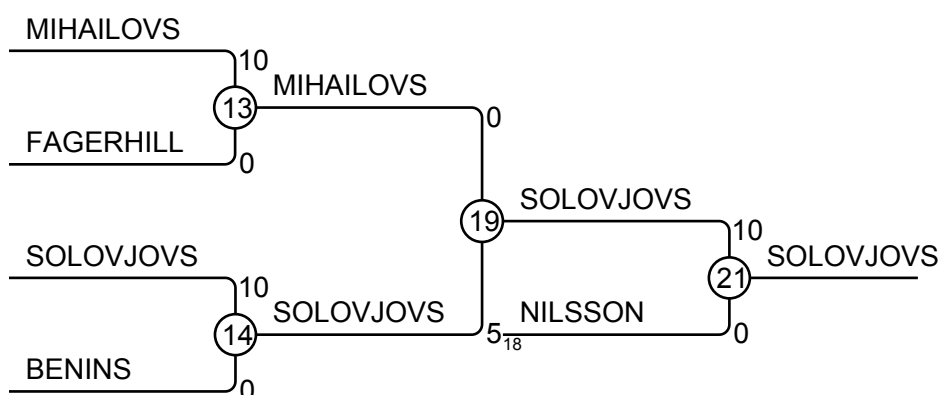
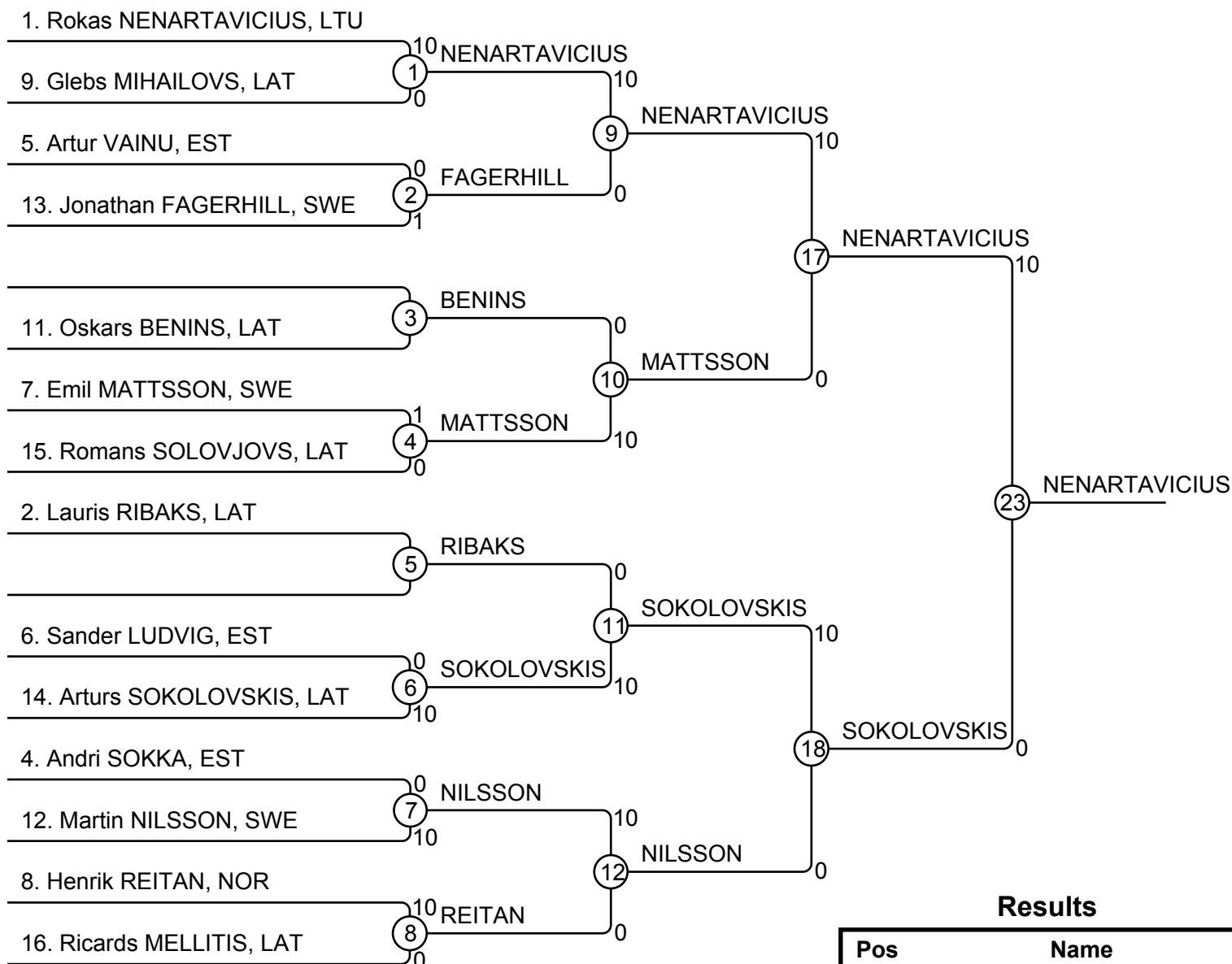
Results

| Pos | Name |
|-----|--------------------------------|
| 1 | Aatu LAAMANEN, FIN/FIN |
| 2 | Klaus VERLIN, FIN/FIN |
| 3 | Klen KALJULAIID, EST/Ookami |
| 3 | Mattias KUUSIK, EST/Do |
| 5 | Germans ZUKOVS, LAT/LAT |
| 5 | Nikita SAPEGA, LAT/Lido |
| 7 | Tanner SAAR, EST/Taifu |
| 7 | Martynas LUKOSEVICIUS, LTU/LTU |



Estonian Open 2014, Tartu Estonia 01.03.2014 M-90

Competitors: 14



Results

| Pos | Name |
|-----|---------------------------------|
| 1 | Rokas NENARTAVICIUS, LTU/LTU |
| 2 | Arturs SOKOLOVSKIS, LAT/Liepaja |
| 3 | Romans SOLOVJOVS, LAT/Lidp |
| 3 | Emil MATTSSON, SWE/Stockholms |
| 5 | Martin NILSSON, SWE/SWE |
| 5 | Sander LUDVIG, EST/Do |
| 7 | Glebs MIHAILOVS, LAT/LAT |
| 7 | Henrik REITAN, NOR/NOR |

Estonian Open 2014, Tartu Estonia 01.03.2014

W+78

Competitors: 1

Competitors

| # | Name | Grade | Club | 1 | Wins | Pts | Pos |
|---|-------------------|-------|---------|---|------|-----|-----|
| 1 | Jovita GEDVILAITE | ? | LTU/LTU | | 0 | 0 | 1 |

Matches

| Match | White | Blue | Result | Time |
|-------|-------|------|--------|------|
|-------|-------|------|--------|------|

Results

| Pos | Name |
|-----|----------------------------|
| 1 | Jovita GEDVILAITE, LTU/LTU |

Estonian Open 2014, Tartu Estonia 01.03.2014 W-52

Competitors: 5

Competitors

| # | Name | Grade | Club | 1 | 2 | 3 | 4 | 5 | Wins | Pts | Pos |
|---|--------------------|-------|-------------------|----|----|----|---|----|------|-----|-----|
| 1 | Aiga Anita BERZINA | ? | LAT/Pierigas BJSS | | 10 | 10 | | | 2 | 20 | 2 |
| 2 | Julia STANKEVICH | ? | LAT/Singitaj | | | | | 5 | 1 | 5 | 5 |
| 3 | Synne ANDERSSEN | ? | NOR/NOR | | 10 | | | 10 | 2 | 20 | 3 |
| 4 | Anniina JOKINEN | ? | FIN/FIN | 10 | 10 | 10 | | 10 | 4 | 40 | 1 |
| 5 | Marianne KOSONEN | ? | FIN/FIN | 7 | | | | | 1 | 7 | 4 |

Matches

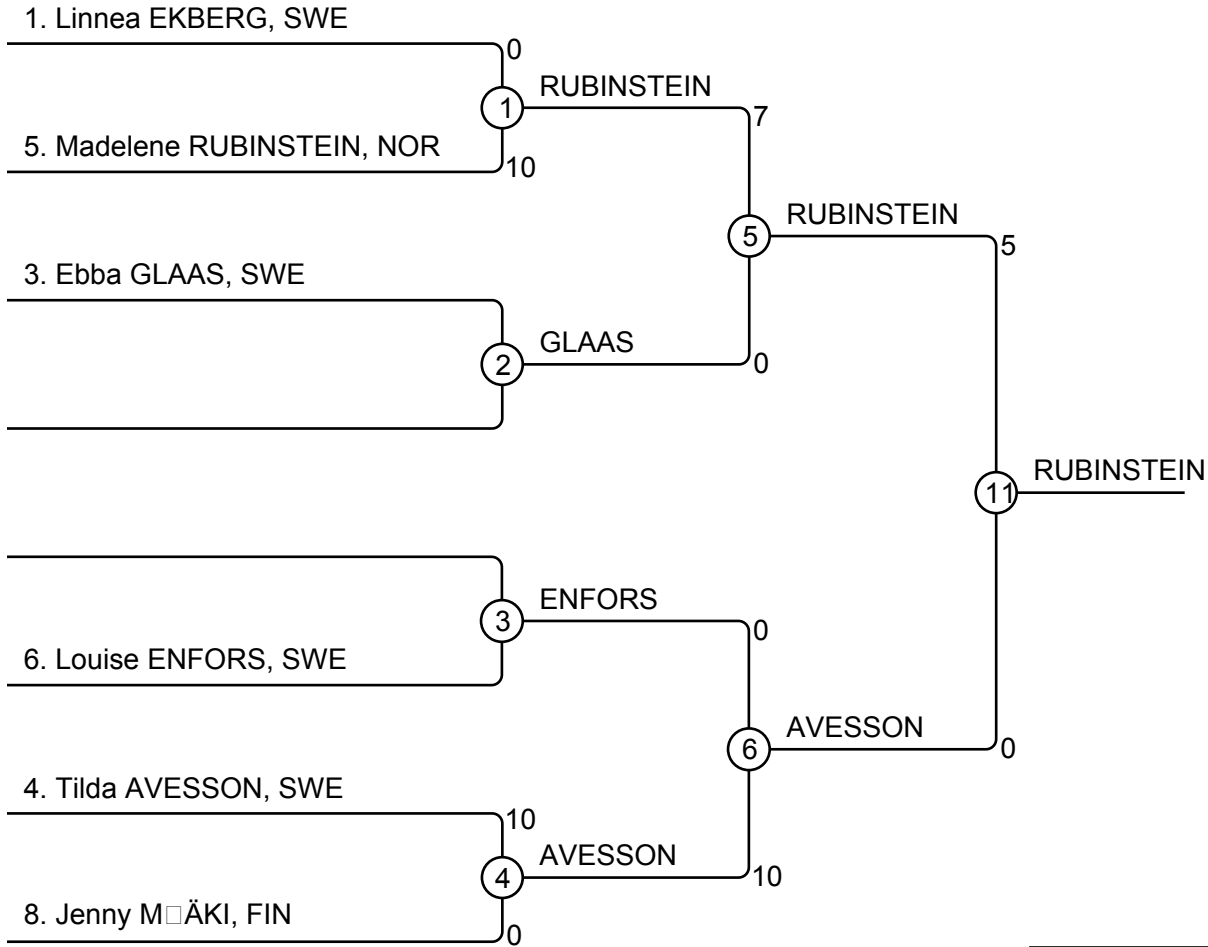
| Match | White | | Blue | | Result | Time |
|-------|--------------------|---|------|------------------|--------|------|
| 1 | Anniina JOKINEN | 4 | 5 | Marianne KOSONEN | 10 - 0 | 2:41 |
| 2 | Aiga Anita BERZINA | 1 | 2 | Julia STANKEVICH | 10 - 0 | 1:08 |
| 3 | Synne ANDERSSEN | 3 | 4 | Anniina JOKINEN | 0 - 10 | 3:35 |
| 4 | Aiga Anita BERZINA | 1 | 5 | Marianne KOSONEN | 0 - 7 | 4:00 |
| 5 | Julia STANKEVICH | 2 | 3 | Synne ANDERSSEN | 0 - 10 | 0:19 |
| 6 | Aiga Anita BERZINA | 1 | 4 | Anniina JOKINEN | 0 - 10 | 0:59 |
| 7 | Synne ANDERSSEN | 3 | 5 | Marianne KOSONEN | 10 - 0 | 2:49 |
| 8 | Julia STANKEVICH | 2 | 4 | Anniina JOKINEN | 0 - 10 | 0:50 |
| 9 | Aiga Anita BERZINA | 1 | 3 | Synne ANDERSSEN | 10 - 0 | 1:15 |
| 10 | Julia STANKEVICH | 2 | 5 | Marianne KOSONEN | 5 - 0 | 4:00 |

Results

| Pos | Name |
|-----|---------------------------------------|
| 1 | Anniina JOKINEN, FIN/FIN |
| 2 | Aiga Anita BERZINA, LAT/Pierigas BJSS |
| 3 | Synne ANDERSSEN, NOR/NOR |
| 4 | Marianne KOSONEN, FIN/FIN |
| 5 | Julia STANKEVICH, LAT/Singitaj |

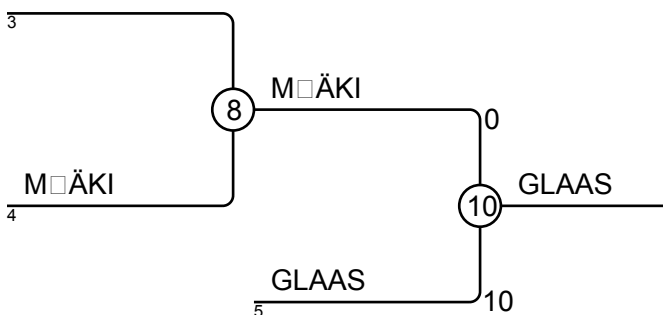
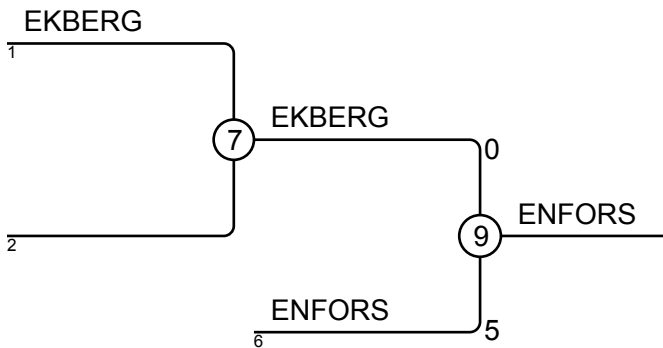
Estonian Open 2014, Tartu Estonia 01.03.2014 W-57

Competitors: 6



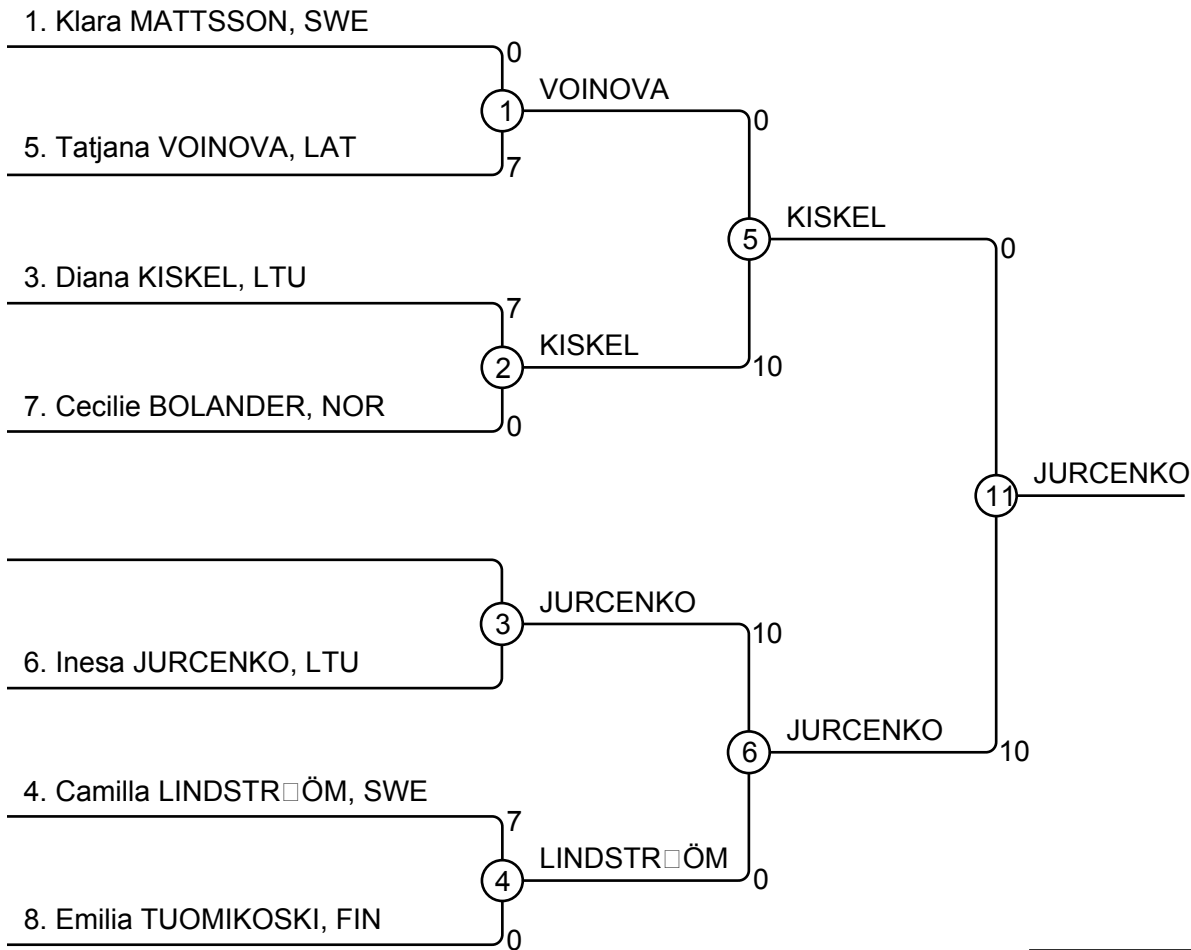
Results

| Pos | Name |
|-----|------------------------------|
| 1 | Madelene RUBINSTEIN, NOR/NOR |
| 2 | Tilda AVESSON, SWE/SWE |
| 3 | Louise ENFORS, SWE/SWE |
| 3 | Ebba GLAAS, SWE/SWE |
| 5 | Linnea EKBERG, SWE/SWE |
| 5 | Jenny MÄKI, FIN/FIN |
| 7 | |
| 7 | |



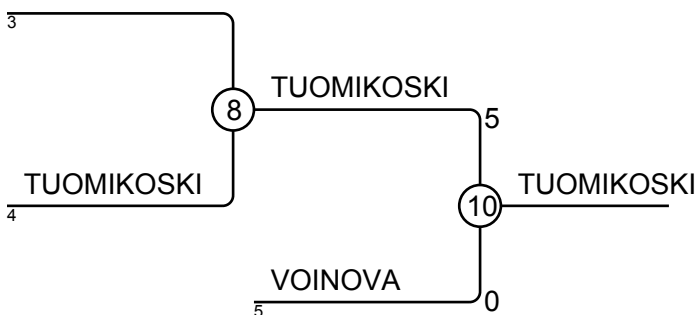
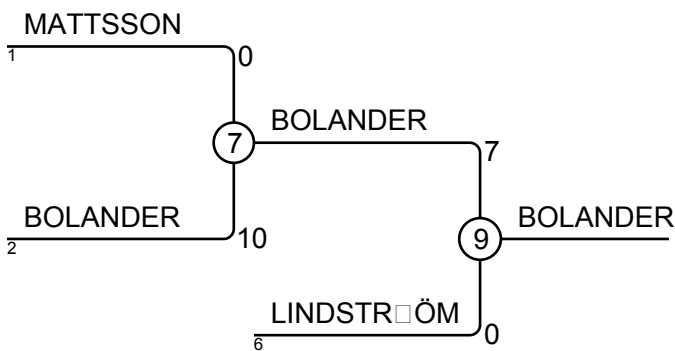
Estonian Open 2014, Tartu Estonia 01.03.2014 W-63

Competitors: 7



Results

| Pos | Name |
|-----|--------------------------------|
| 1 | Inesa JURCENKO, LTU/LTU |
| 2 | Diana KISKEL, LTU/LTU |
| 3 | Cecilie BOLANDER, NOR/NOR |
| 3 | Emilia TUOMIKOSKI, FIN/FIN |
| 5 | Camilla LINDSTRÖM, SWE/SWE |
| 5 | Tatjana VOINOVA, LAT/Lido |
| 7 | Klara MATTSSON, SWE/Stockholms |
| 7 | |



Estonian Open 2014, Tartu Estonia 01.03.2014 W-70

Competitors: 3

Competitors

| # | Name | Grade | Club | 1 | 2 | 3 | Wins | Pts | Pos |
|---|-----------------------|-------|----------|----|----|---|------|-----|-----|
| 1 | Diana KRUMINA | ? | LAT/Lido | | 10 | | 1 | 10 | 2 |
| 2 | Amanda HAKANSSON | ? | SWE/SWE | | | | 0 | 0 | 3 |
| 3 | Frederikke ROALDSETHS | ? | NOR/NOR | 10 | 10 | | 2 | 20 | 1 |

Matches

| Match | White | | | Blue | Result | Time |
|-------|------------------|---|---|-----------------------|--------|------|
| 1 | Diana KRUMINA | 1 | 2 | Amanda HAKANSSON | 10 - 0 | 3:58 |
| 2 | Diana KRUMINA | 1 | 3 | Frederikke ROALDSETHS | 0 - 10 | 3:27 |
| 3 | Amanda HAKANSSON | 2 | 3 | Frederikke ROALDSETHS | 0 - 10 | 1:07 |

Results

| Pos | Name |
|-----|--------------------------------|
| 1 | Frederikke ROALDSETHS, NOR/NOR |
| 2 | Diana KRUMINA, LAT/Lido |
| 3 | Amanda HAKANSSON, SWE/SWE |

Estonian Open 2014, Tartu Estonia 01.03.2014 W-78

Competitors: 1

Competitors

| # | Name | Grade | Club | 1 | Wins | Pts | Pos |
|---|--------------|-------|-------------|---|------|-----|-----|
| 1 | Linda BENINA | ? | LAT/Aluksne | | 0 | 0 | 1 |

Matches

| Match | White | Blue | Result | Time |
|-------|-------|------|--------|------|
|-------|-------|------|--------|------|

Results

| Pos | Name |
|-----|---------------------------|
| 1 | Linda BENINA, LAT/Aluksne |