

XIV International Autumn Tournament 08.10.2016 CB +70

Competitors: 4

Competitors

#	Name	Grade	Club	1	2	3	4	Wins	Pts	Pos
1	Samuel MIKK	?	DO					0	0	4
2	Martin TOOTS	?	DO	10				1	10	3
3	Daniil JAROŠEVITS	?	Dodze	10	10		10	3	30	1
4	Eduard LADŌGIN	?	Audentes	5	10			2	15	2

Matches

Match	White			Blue	Result	Time
1	Samuel MIKK	1	2	Martin TOOTS	0 - 10	0:00
2	Daniil JAROŠEVITS	3	4	Eduard LADŌGIN	10 - 0	0:00
3	Samuel MIKK	1	3	Daniil JAROŠEVITS	0 - 10	0:00
4	Martin TOOTS	2	4	Eduard LADŌGIN	0 - 10	0:00
5	Samuel MIKK	1	4	Eduard LADŌGIN	0 - 5	0:00
6	Martin TOOTS	2	3	Daniil JAROŠEVITS	0 - 10	0:00

Results

Pos	Name
1	Daniil JAROŠEVITS, Dodze
2	Eduard LADŌGIN, Audentes
3	Martin TOOTS, DO
4	Samuel MIKK, DO

XIV International Autumn Tournament 08.10.2016 CB-34

Competitors: 2

Competitors

#	Name	Grade	Club	1	2	1	2	1	2	Wins	Pts	Pos
1	Saad DIKAJEV	?	Audentes		10		10			2	20	1
2	Geron VIDDER	?	Taifu							0	0	2

Matches

Match	White			Blue	Result	Time
1	Saad DIKAJEV	1	2	Geron VIDDER	10 - 0	0:00
2	Saad DIKAJEV	1	2	Geron VIDDER	10 - 0	0:00
3	Saad DIKAJEV	1	2	Geron VIDDER		

Results

Pos	Name
1	Saad DIKAJEV, Audentes
2	Geron VIDDER, Taifu

XIV International Autumn Tournament 08.10.2016 CB-38

Competitors: 4

Competitors

#	Name	Grade	Club	1	2	3	4	Wins	Pts	Pos
1	Artur MEDRI	?	Saaremaa Spordikool					0	0	4
2	Kaspar GUTMANN	?	DO	10			10	2	20	2
3	Timur LESTSENSKI	?	Audentes	10	10		10	3	30	1
4	Ott-Robin KARU	?	Mikado	10				1	10	3

Matches

Match	White			Blue	Result	Time
1	Artur MEDRI	1	2	Kaspar GUTMANN	0 - 10	0:00
2	Timur LESTSENSKI	3	4	Ott-Robin KARU	10 - 0	0:00
3	Artur MEDRI	1	3	Timur LESTSENSKI	0 - 10	0:00
4	Kaspar GUTMANN	2	4	Ott-Robin KARU	10 - 0	0:00
5	Artur MEDRI	1	4	Ott-Robin KARU	0 - 10	0:00
6	Kaspar GUTMANN	2	3	Timur LESTSENSKI	0 - 10	0:00

Results

Pos	Name
1	Timur LESTSENSKI, Audentes
2	Kaspar GUTMANN, DO
3	Ott-Robin KARU, Mikado
4	Artur MEDRI, Saaremaa Spordikool

XIV International Autumn Tournament 08.10.2016 CB-42

Competitors: 3

Competitors

#	Name	Grade	Club	1	2	3	Wins	Pts	Pos
1	Rene ALTOSAR	?	Budolinn			10	1	10	2
2	Artjom KANASKIN	?	Budolinn	10		10	2	20	1
3	Anna Liisa NURM	?	DO				0	0	3

Matches

Match	White			Blue	Result	Time
1	Rene ALTOSAR	1	2	Artjom KANASKIN	0 - 10	0:00
2	Rene ALTOSAR	1	3	Anna Liisa NURM	10 - 0	0:00
3	Artjom KANASKIN	2	3	Anna Liisa NURM	10 - 0	0:00

Results

Pos	Name
1	Artjom KANASKIN, Budolinn
2	Rene ALTOSAR, Budolinn
3	Anna Liisa NURM, DO

XIV International Autumn Tournament 08.10.2016 CB-46

Competitors: 5

Competitors

#	Name	Grade	Club	1	2	3	4	5	Wins	Pts	Pos
1	Ernests PUŠKUNDZIS	?	Ippon			10			1	10	4
2	Konrad KUMM	?	Audentes	10		10	10		3	30	2
3	Ilja DELJANSKI	?	Mikado				10		1	10	5
4	Martin GAPON	?	Audentes	10					1	10	3
5	Viljar LIPARD	?	Audentes	10	10	10	10		4	40	1

Matches

Match	White		Blue		Result	Time
1	Martin GAPON	4	5	Viljar LIPARD	0 - 10	0:00
2	Ernests PUŠKUNDZIS	1	2	Konrad KUMM	0 - 10	0:00
3	Ilja DELJANSKI	3	4	Martin GAPON	10 - 0	0:00
4	Ernests PUŠKUNDZIS	1	5	Viljar LIPARD	0 - 10	0:00
5	Konrad KUMM	2	3	Ilja DELJANSKI	10 - 0	0:00
6	Ernests PUŠKUNDZIS	1	4	Martin GAPON	0 - 10	0:00
7	Ilja DELJANSKI	3	5	Viljar LIPARD	0 - 10	0:00
8	Konrad KUMM	2	4	Martin GAPON	10 - 0	0:00
9	Ernests PUŠKUNDZIS	1	3	Ilja DELJANSKI	10 - 0	0:00
10	Konrad KUMM	2	5	Viljar LIPARD	0 - 10	0:00

Results

Pos	Name
1	Viljar LIPARD, Audentes
2	Konrad KUMM, Audentes
3	Martin GAPON, Audentes
4	Ernests PUŠKUNDZIS, Ippon
5	Ilja DELJANSKI, Mikado

XIV International Autumn Tournament 08.10.2016 CB-50

Competitors: 2

Competitors

#	Name	Grade	Club	1	2	1	2	1	2	Wins	Pts	Pos
1	Valentin NIKOLSKI	?	Audentes		10		10			2	20	1
2	Nikita FANFORA	?	Buffen-Do							0	0	2

Matches

Match	White			Blue	Result	Time
1	Valentin NIKOLSKI	1	2	Nikita FANFORA	10 - 0	0:00
2	Valentin NIKOLSKI	1	2	Nikita FANFORA	10 - 0	0:00
3	Valentin NIKOLSKI	1	2	Nikita FANFORA		

Results

Pos	Name
1	Valentin NIKOLSKI, Audentes
2	Nikita FANFORA, Buffen-Do

XIV International Autumn Tournament 08.10.2016 CB-55

Competitors: 5

Competitors

#	Name	Grade	Club	1	2	3	4	5	Wins	Pts	Pos
1	Daniil GAVRILIN	?	Buffen-Do		10		10		2	20	3
2	Kaur KÕVA	?	Võru REI				10		1	10	4
3	Markuss LEBEDEVS	?	Ippon	10	10		10		3	30	2
4	Raio MITT	?	DO						0	0	5
5	Karl Johannes PILT	?	DO	10	10	10	10		4	40	1

Matches

Match	White		Blue		Result	Time
1	Raio MITT	4	5	Karl Johannes PILT	0 - 10	0:00
2	Daniil GAVRILIN	1	2	Kaur KÕVA	10 - 0	0:00
3	Markuss LEBEDEVS	3	4	Raio MITT	10 - 0	0:00
4	Daniil GAVRILIN	1	5	Karl Johannes PILT	0 - 10	0:00
5	Kaur KÕVA	2	3	Markuss LEBEDEVS	0 - 10	0:00
6	Daniil GAVRILIN	1	4	Raio MITT	10 - 0	0:00
7	Markuss LEBEDEVS	3	5	Karl Johannes PILT	0 - 10	0:00
8	Kaur KÕVA	2	4	Raio MITT	10 - 0	0:00
9	Daniil GAVRILIN	1	3	Markuss LEBEDEVS	0 - 10	0:00
10	Kaur KÕVA	2	5	Karl Johannes PILT	0 - 10	0:00

Results

Pos	Name
1	Karl Johannes PILT, DO
2	Markuss LEBEDEVS, Ippon
3	Daniil GAVRILIN, Buffen-Do
4	Kaur KÕVA, Võru REI
5	Raio MITT, DO

XIV International Autumn Tournament 08.10.2016 CB-62

Competitors: 5

Competitors

#	Name	Grade	Club	1	2	3	4	5	Wins	Pts	Pos
1	Konstantin SEMIONOV	?	Dodze				10		1	10	4
2	Richards MUIŽNIEKS	?	Ippon	10		10	10	10	4	40	1
3	Leon VELMAN	?	Audentes	10			10		2	20	3
4	Martin KOORT	?	DO						0	0	5
5	Argo MÄGI	?	Zen	10		5	10		3	25	2

Matches

Match	White		Blue		Result	Time
1	Martin KOORT	4	5	Argo MÄGI	0 - 10	0:00
2	Konstantin SEMIONOV	1	2	Richards MUIŽNIEKS	0 - 10	0:00
3	Leon VELMAN	3	4	Martin KOORT	10 - 0	0:00
4	Konstantin SEMIONOV	1	5	Argo MÄGI	0 - 10	0:00
5	Richards MUIŽNIEKS	2	3	Leon VELMAN	10 - 0	0:00
6	Konstantin SEMIONOV	1	4	Martin KOORT	10 - 0	0:00
7	Leon VELMAN	3	5	Argo MÄGI	0 - 5	0:00
8	Richards MUIŽNIEKS	2	4	Martin KOORT	10 - 0	0:00
9	Konstantin SEMIONOV	1	3	Leon VELMAN	0 - 10	0:00
10	Richards MUIŽNIEKS	2	5	Argo MÄGI	10 - 0	0:00

Results

Pos	Name
1	Richards MUIŽNIEKS, Ippon
2	Argo MÄGI, Zen
3	Leon VELMAN, Audentes
4	Konstantin SEMIONOV, Dodze
5	Martin KOORT, DO

XIV International Autumn Tournament 08.10.2016 CB-70

Competitors: 3

Competitors

#	Name	Grade	Club	1	2	3	Wins	Pts	Pos
1	Eric BELSNER	?	Buffen-Do				0	0	3
2	Olegs PAŠINS	?	Ippon	10		10	2	20	1
3	Martin OTTAS	?	DO	5			1	5	2

Matches

Match	White			Blue	Result	Time
1	Eric BELSNER	1	2	Olegs PAŠINS	0 - 10	0:00
2	Eric BELSNER	1	3	Martin OTTAS	0 - 5	0:00
3	Olegs PAŠINS	2	3	Martin OTTAS	10 - 0	0:00

Results

Pos	Name
1	Olegs PAŠINS, Ippon
2	Martin OTTAS, DO
3	Eric BELSNER, Buffen-Do

XIV International Autumn Tournament 08.10.2016 CG +38

Competitors: 3

Competitors

#	Name	Grade	Club	1	2	3	Wins	Pts	Pos
1	Anna Liisa NURM	?	DO		1		1	1	3
2	Sandra ILVES	?	DO			10	1	10	1
3	Gettrin SAKS	?	DO	1			1	1	2

Matches

Match	White			Blue	Result	Time
1	Anna Liisa NURM	1	2	Sandra ILVES	1 - 0	0:00
2	Anna Liisa NURM	1	3	Gettrin SAKS	0 - 1	0:00
3	Sandra ILVES	2	3	Gettrin SAKS	10 - 0	0:00

Results

Pos	Name
1	Sandra ILVES, DO
2	Gettrin SAKS, DO
3	Anna Liisa NURM, DO

XIV International Autumn Tournament 08.10.2016 CG-38

Competitors: 2

Competitors

#	Name	Grade	Club	1	2	1	2	1	2	Wins	Pts	Pos
1	Maria TARS	?	DO				10		10	2	20	1
2	Kirke MEDRI	?	Saaremaa Spordikool	7						1	7	2

Matches

Match	White			Blue	Result	Time
1	Maria TARS	1	2	Kirke MEDRI	0 - 7	0:00
2	Maria TARS	1	2	Kirke MEDRI	10 - 0	0:00
3	Maria TARS	1	2	Kirke MEDRI	10 - 0	0:00

Results

Pos	Name
1	Maria TARS, DO
2	Kirke MEDRI, Saaremaa Spordikool

XIV International Autumn Tournament 08.10.2016 DB +50

Competitors: 5

Competitors

#	Name	Grade	Club	1	2	3	4	5	Wins	Pts	Pos
1	Jevgeni LADÕGIN	?	Audentes		10	10		10	3	30	2
2	Kaarel HEINALO	?	Zen						0	0	5
3	Romet RAAD	?	Saaremaa Spordikool		10				1	10	4
4	Kabriel KIRNA	?	DO	10	10	10		10	4	40	1
5	Kaur Ruben RAGIS	?	DO		10	10			2	20	3

Matches

Match	White		Blue		Result	Time
1	Kabriel KIRNA	4	5	Kaur Ruben RAGIS	10 - 0	0:00
2	Jevgeni LADÕGIN	1	2	Kaarel HEINALO	10 - 0	0:00
3	Romet RAAD	3	4	Kabriel KIRNA	0 - 10	0:00
4	Jevgeni LADÕGIN	1	5	Kaur Ruben RAGIS	10 - 0	0:00
5	Kaarel HEINALO	2	3	Romet RAAD	0 - 10	0:00
6	Jevgeni LADÕGIN	1	4	Kabriel KIRNA	0 - 10	0:00
7	Romet RAAD	3	5	Kaur Ruben RAGIS	0 - 10	0:00
8	Kaarel HEINALO	2	4	Kabriel KIRNA	0 - 10	0:00
9	Jevgeni LADÕGIN	1	3	Romet RAAD	10 - 0	0:00
10	Kaarel HEINALO	2	5	Kaur Ruben RAGIS	0 - 10	0:00

Results

Pos	Name
1	Kabriel KIRNA, DO
2	Jevgeni LADÕGIN, Audentes
3	Kaur Ruben RAGIS, DO
4	Romet RAAD, Saaremaa Spordikool
5	Kaarel HEINALO, Zen

XIV International Autumn Tournament 08.10.2016 DB-27

Competitors: 4

Competitors

#	Name	Grade	Club	1	2	3	4	Wins	Pts	Pos
1	Simo LAOS	?	Altia			10	10	2	20	2
2	Marek PRUUNS	?	Afina	10		10	10	3	30	1
3	Filipp STSEKOTIN	?	Audentes				5	1	5	3
4	Ramon MÄGI	?	Saaremaa Spordikool					0	0	4

Matches

Match	White			Blue	Result	Time
1	Simo LAOS	1	2	Marek PRUUNS	0 - 10	0:00
2	Filipp STSEKOTIN	3	4	Ramon MÄGI	5 - 0	0:00
3	Simo LAOS	1	3	Filipp STSEKOTIN	10 - 0	0:00
4	Marek PRUUNS	2	4	Ramon MÄGI	10 - 0	0:00
5	Simo LAOS	1	4	Ramon MÄGI	10 - 0	0:00
6	Marek PRUUNS	2	3	Filipp STSEKOTIN	10 - 0	0:00

Results

Pos	Name
1	Marek PRUUNS, Afina
2	Simo LAOS, Altia
3	Filipp STSEKOTIN, Audentes
4	Ramon MÄGI, Saaremaa Spordikool

XIV International Autumn Tournament 08.10.2016 DB-30

Competitors: 6

Competitors A

#	Name	Grade	Club	1	2	3	Wins	Pts	Pos
1	Franz Steven SAARM	?	DO		5	5	2	10	1
2	Rihard Joosep KAHARD	?	Audentes				0	0	3
3	Andry AAVAST	?	Barra		10		1	10	2

Matches A

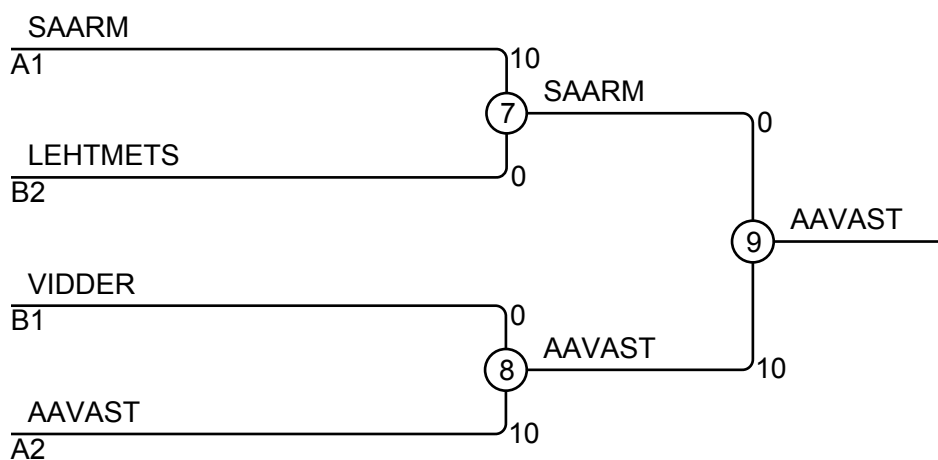
Match	White	Blue	Result	Time
1	Franz Steven SAARM 1 2	Rihard Joosep KAHARD	5 - 0	0:00
3	Franz Steven SAARM 1 3	Andry AAVAST	5 - 0	0:00
5	Rihard Joosep KAHARD 2 3	Andry AAVAST	0 - 10	0:00

Competitors B

#	Name	Grade	Club	4	5	6	Wins	Pts	Pos
4	Joosep KALMUS	?	DO				0	0	3
5	Renert VIDDER	?	Taifu	1		10	2	11	1
6	Kaur Robert LEHTMETS	?	Zen	10			1	10	2

Matches B

Match	White	Blue	Result	Time
2	Joosep KALMUS 4 5	Renert VIDDER	0 - 1	0:00
4	Joosep KALMUS 4 6	Kaur Robert LEHTMETS	0 - 10	0:00
6	Renert VIDDER 5 6	Kaur Robert LEHTMETS	10 - 0	0:00

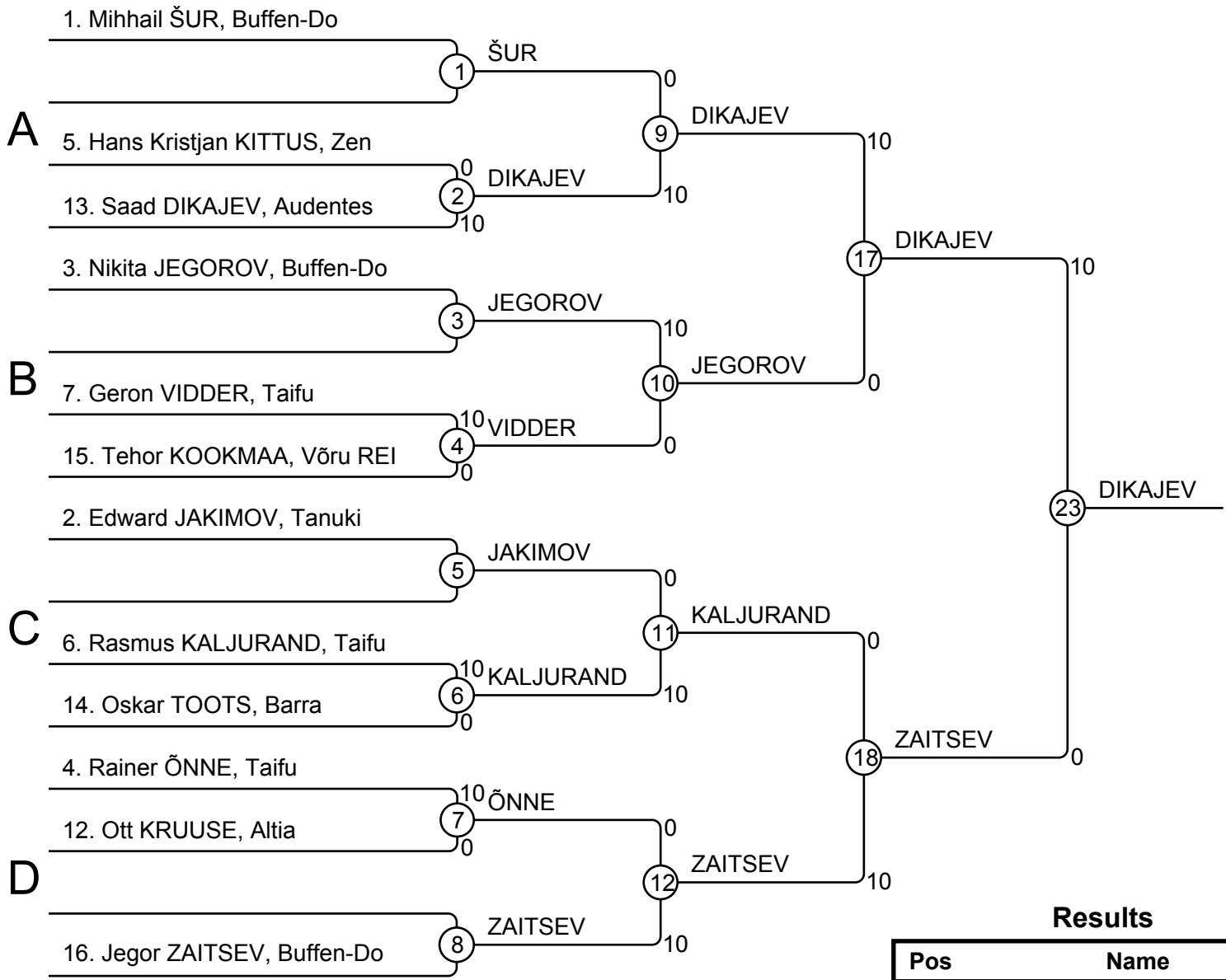


Results

Pos	Name
1	Andry AAVAST, Barra
2	Franz Steven SAARM, DO
3	Kaur Robert LEHTMETS, Zen
3	Renert VIDDER, Taifu

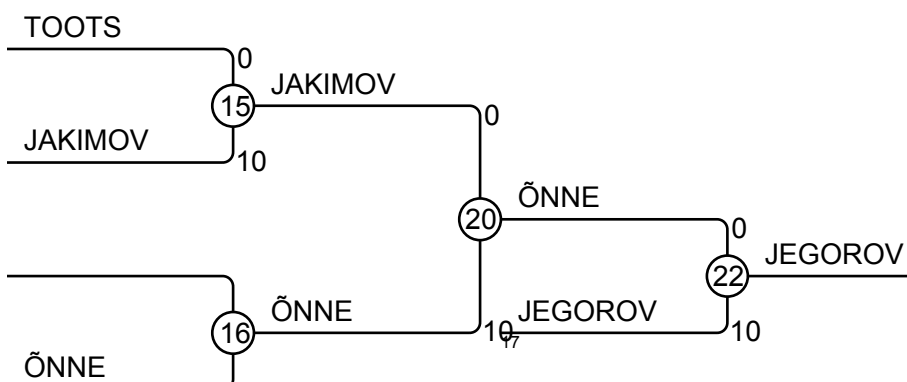
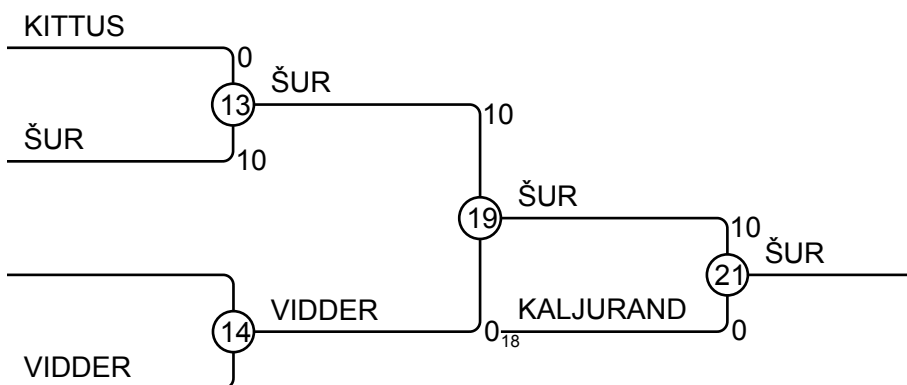
XIV International Autumn Tournament 08.10.2016 DB-34

Competitors: 12



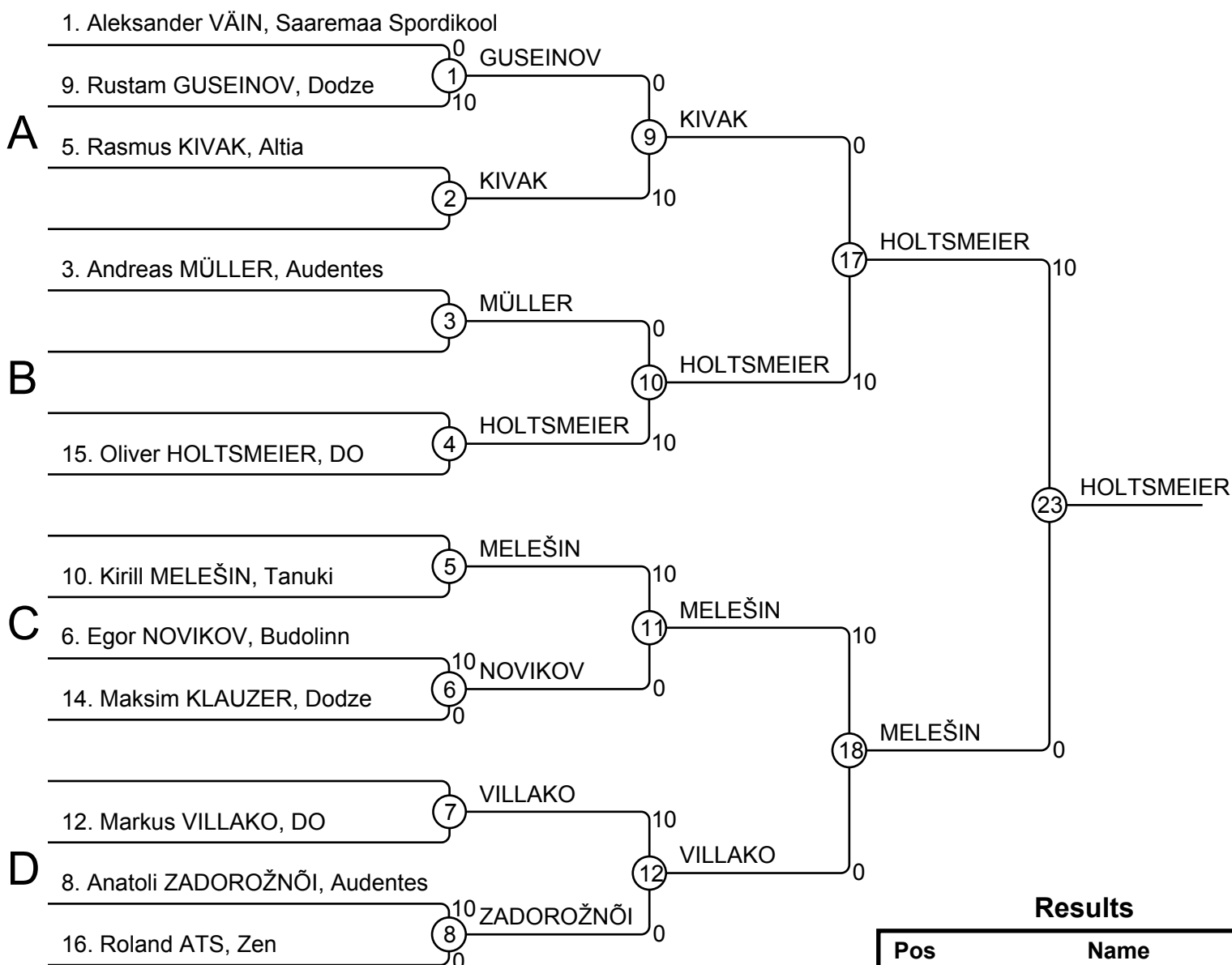
Results

Pos	Name
1	Saad DIKAJEV, Audentes
2	Jegor ZAITSEV, Buffen-Do
3	Mihhail ŠUR, Buffen-Do
3	Nikita JEGOROV, Buffen-Do
5	Rasmus KALJURAND, Taifu
5	Rainer ÕNNE, Taifu
7	Geron VIDDER, Taifu
7	Edward JAKIMOV, Tanuki



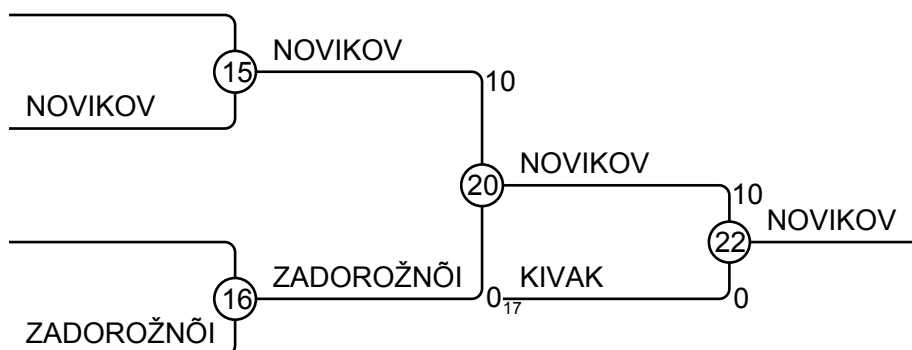
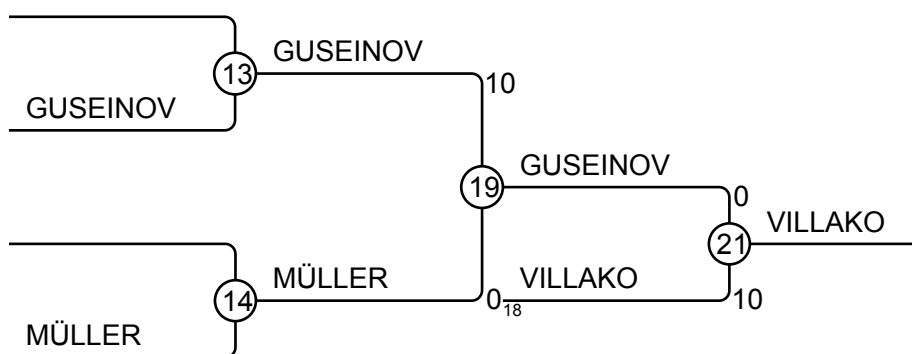
XIV International Autumn Tournament 08.10.2016 DB-38

Competitors: 11



Results

Pos	Name
1	Oliver HOLTSMEIER, DO
2	Kirill MELEŠIN, Tanuki
3	Markus VILLAKO, DO
3	Egor NOVIKOV, Budolinn
5	Rustam GUSEINOV, Dodze
5	Rasmus KIVAK, Altia
7	Andreas MÜLLER, Audentes
7	Anatoli ZADOROŽNŌI, Audentes



XIV International Autumn Tournament 08.10.2016 DB-42

Competitors: 5

Competitors

#	Name	Grade	Club	1	2	3	4	5	Wins	Pts	Pos
1	Ivans MAKEJEVS	?	Ippon		10	10	10	10	4	40	1
2	Artjom TIŠTŠENKO	?	Afina				10		1	10	4
3	Aleksandr TREUMOV	?	Buffen-Do		10		10		2	20	3
4	Marko Uku Tõdu MADI	?	DO						0	0	5
5	Artur TÜRNAS	?	DO		10	10	10		3	30	2

Matches

Match	White		Blue		Result	Time
1	Marko Uku Tõdu MADI	4	5	Artur TÜRNAS	0 - 10	0:00
2	Ivans MAKEJEVS	1	2	Artjom TIŠTŠENKO	10 - 0	0:00
3	Aleksandr TREUMOV	3	4	Marko Uku Tõdu MADI	10 - 0	0:00
4	Ivans MAKEJEVS	1	5	Artur TÜRNAS	10 - 0	0:00
5	Artjom TIŠTŠENKO	2	3	Aleksandr TREUMOV	0 - 10	0:00
6	Ivans MAKEJEVS	1	4	Marko Uku Tõdu MADI	10 - 0	0:00
7	Aleksandr TREUMOV	3	5	Artur TÜRNAS	0 - 10	0:00
8	Artjom TIŠTŠENKO	2	4	Marko Uku Tõdu MADI	10 - 0	0:00
9	Ivans MAKEJEVS	1	3	Aleksandr TREUMOV	10 - 0	0:00
10	Artjom TIŠTŠENKO	2	5	Artur TÜRNAS	0 - 10	0:00

Results

Pos	Name
1	Ivans MAKEJEVS, Ippon
2	Artur TÜRNAS, DO
3	Aleksandr TREUMOV, Buffen-Do
4	Artjom TIŠTŠENKO, Afina
5	Marko Uku Tõdu MADI, DO

XIV International Autumn Tournament 08.10.2016 DB-46

Competitors: 7

Competitors A

#	Name	Grade	Club	1	2	3	4	Wins	Pts	Pos
1	Arseni IVANOV	?	Tanuki				10	1	10	3
2	Jari-Matti SALONEN	?	DO	10			10	2	20	2
3	Andrejs VANAGS	?	Ippon	10	10		10	3	30	1
4	Rasmus Adrian LANKOTS	?	Zen					0	0	4

Matches A

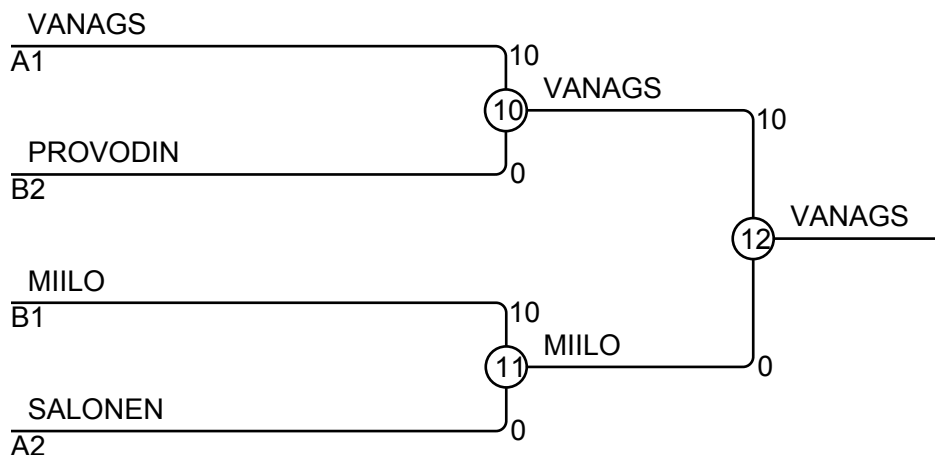
Match	White	Blue	Result	Time
1	Arseni IVANOV 1	Jari-Matti SALONEN 2	0 - 10	0:00
2	Andrejs VANAGS 3	Rasmus Adrian LANKOTS 4	10 - 0	0:00
4	Arseni IVANOV 1	Andrejs VANAGS 3	0 - 10	0:00
5	Jari-Matti SALONEN 2	Rasmus Adrian LANKOTS 4	10 - 0	0:00
7	Arseni IVANOV 1	Rasmus Adrian LANKOTS 4	10 - 0	0:00
8	Jari-Matti SALONEN 2	Andrejs VANAGS 3	0 - 10	0:00

Competitors B

#	Name	Grade	Club	5	6	7	Wins	Pts	Pos
5	Georg PAOMEES	?	Saaremaa Spordikool				0	0	3
6	Kert Erman MIILO	?	Audentes	10		10	2	20	1
7	Sasa PROVODIN	?	Budolinn	10			1	10	2

Matches B

Match	White	Blue	Result	Time
3	Georg PAOMEES 5	Kert Erman MIILO 6	0 - 10	0:00
6	Georg PAOMEES 5	Sasa PROVODIN 7	0 - 10	0:00
9	Kert Erman MIILO 6	Sasa PROVODIN 7	10 - 0	0:00



Results

Pos	Name
1	Andrejs VANAGS, Ippon
2	Kert Erman MIILO, Audentes
3	Sasa PROVODIN, Budolinn
3	Jari-Matti SALONEN, DO

XIV International Autumn Tournament 08.10.2016 DB-50

Competitors: 6

Competitors A

#	Name	Grade	Club	1	2	3	Wins	Pts	Pos
1	Siim LAOS	?	Altia		10	10	2	20	1
2	Markkus OTTI	?	Zen			10	1	10	2
3	Taago SILMA	?	Audentes				0	0	3

Matches A

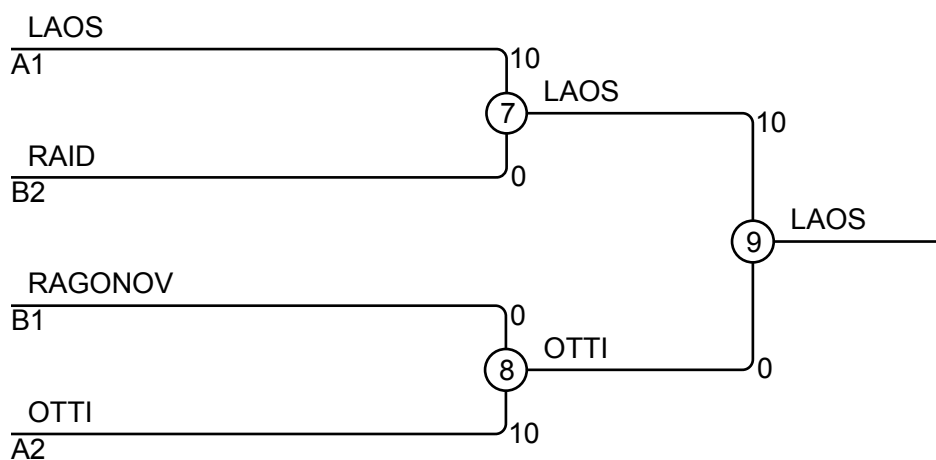
Match	White	Blue	Result	Time
1	Siim LAOS 1 2	Markkus OTTI	10 - 0	0:00
3	Siim LAOS 1 3	Taago SILMA	10 - 0	0:00
5	Markkus OTTI 2 3	Taago SILMA	10 - 0	0:00

Competitors B

#	Name	Grade	Club	4	5	6	Wins	Pts	Pos
4	Ako Armin RAID	?	Zen		10		1	10	2
5	Uku NEEME	?	DO				0	0	3
6	Igor RAGONOV	?	Budolinn	10	10		2	20	1

Matches B

Match	White	Blue	Result	Time
2	Ako Armin RAID 4 5	Uku NEEME	10 - 0	0:00
4	Ako Armin RAID 4 6	Igor RAGONOV	0 - 10	0:00
6	Uku NEEME 5 6	Igor RAGONOV	0 - 10	0:00



Results

Pos	Name
1	Siim LAOS, Altia
2	Markkus OTTI, Zen
3	Ako Armin RAID, Zen
3	Igor RAGONOV, Budolinn

XIV International Autumn Tournament 08.10.2016 DG -35

Competitors: 4

Competitors

#	Name	Grade	Club	1	2	3	4	Wins	Pts	Pos
1	Alise BULJONE	?	Ippon		10	10	10	3	30	1
2	Viktorija KOVŠA	?	Ippon			10	10	2	20	2
3	Aljona SAZONOVA	?	Buffen-Do				10	1	10	3
4	Lisete OOL	?	Zen					0	0	4

Matches

Match	White		Blue		Result	Time
1	Alise BULJONE	1	2	Viktorija KOVŠA	10 - 0	0:00
2	Aljona SAZONOVA	3	4	Lisete OOL	10 - 0	0:00
3	Alise BULJONE	1	3	Aljona SAZONOVA	10 - 0	0:00
4	Viktorija KOVŠA	2	4	Lisete OOL	10 - 0	0:00
5	Alise BULJONE	1	4	Lisete OOL	10 - 0	0:00
6	Viktorija KOVŠA	2	3	Aljona SAZONOVA	10 - 0	0:00

Results

Pos	Name
1	Alise BULJONE, Ippon
2	Viktorija KOVŠA, Ippon
3	Aljona SAZONOVA , Buffen-Do
4	Lisete OOL, Zen

XIV International Autumn Tournament 08.10.2016 DG -43

Competitors: 3

Competitors

#	Name	Grade	Club	1	2	3	Wins	Pts	Pos
1	Olga PROŠKINA	?	Bushinkan				0	0	3
2	Pille RANDLANE	?	Zen	10			1	10	2
3	Jekaterina BRJAKINA	?	Audentes	10	10		2	20	1

Matches

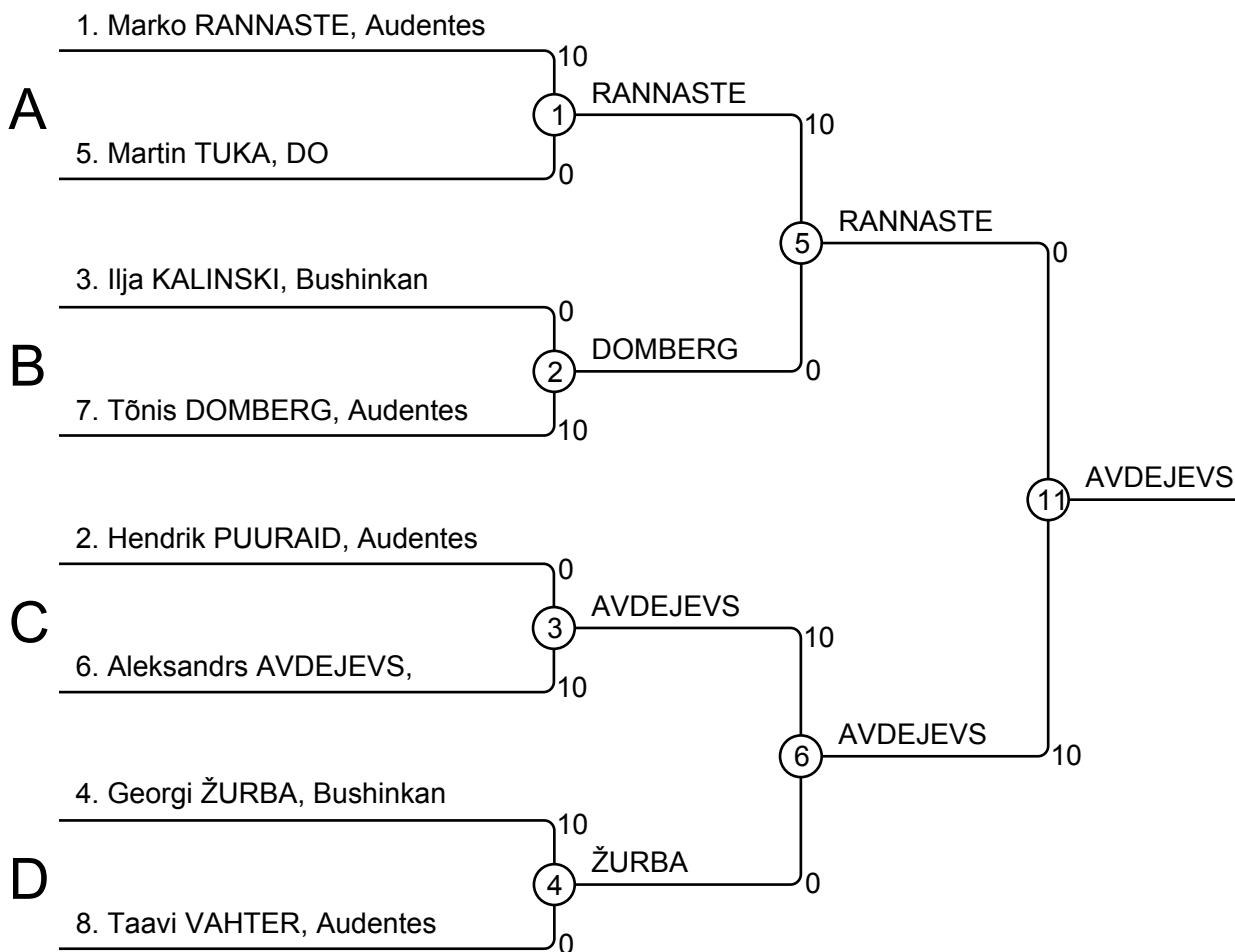
Match	White			Blue	Result	Time
1	Olga PROŠKINA	1	2	Pille RANDLANE	0 - 10	0:00
2	Olga PROŠKINA	1	3	Jekaterina BRJAKINA	0 - 10	0:00
3	Pille RANDLANE	2	3	Jekaterina BRJAKINA	0 - 10	0:00

Results

Pos	Name
1	Jekaterina BRJAKINA, Audentes
2	Pille RANDLANE, Zen
3	Olga PROŠKINA, Bushinkan

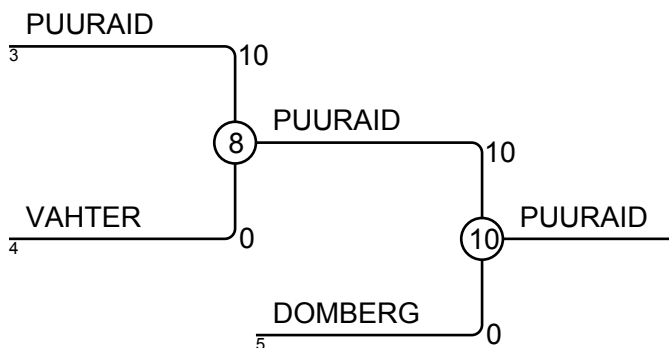
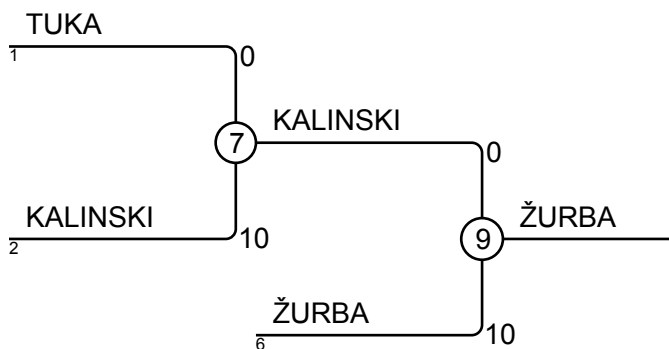
XIV International Autumn Tournament 08.10.2016 EB +38

Competitors: 8



Results

Pos	Name
1	Aleksandrs AVDEJEVS,
2	Marko RANNASTE, Audentes
3	Georgi ŽURBA, Bushinkan
3	Hendrik PUURAIID, Audentes
5	Ilja KALINSKI, Bushinkan
5	Tõnis DOMBERG, Audentes
7	Martin TUKA, DO
7	Taavi VAHTER, Audentes



XIV International Autumn Tournament 08.10.2016 EB-23

Competitors: 5

Competitors

#	Name	Grade	Club	1	2	3	4	5	Wins	Pts	Pos
1	Marvet KIRS	?	DO			10	10		2	20	3
2	Taaniel RAUD	?	Audentes	10		10	10		3	30	2
3	Artemi JEREMEJEV	?	Dodze						0	0	5
4	Sten TROMMEL	?	Võru REI			10			1	10	4
5	Markus SOE	?	Võru REI	10	10	10	10		4	40	1

Matches

Match	White		Blue		Result	Time
1	Sten TROMMEL	4	5	Markus SOE	0 - 10	0:00
2	Marvet KIRS	1	2	Taaniel RAUD	0 - 10	0:00
3	Artemi JEREMEJEV	3	4	Sten TROMMEL	0 - 10	0:00
4	Marvet KIRS	1	5	Markus SOE	0 - 10	0:00
5	Taaniel RAUD	2	3	Artemi JEREMEJEV	10 - 0	0:00
6	Marvet KIRS	1	4	Sten TROMMEL	10 - 0	0:00
7	Artemi JEREMEJEV	3	5	Markus SOE	0 - 10	0:00
8	Taaniel RAUD	2	4	Sten TROMMEL	10 - 0	0:00
9	Marvet KIRS	1	3	Artemi JEREMEJEV	10 - 0	0:00
10	Taaniel RAUD	2	5	Markus SOE	0 - 10	0:00

Results

Pos	Name
1	Markus SOE, Võru REI
2	Taaniel RAUD, Audentes
3	Marvet KIRS, DO
4	Sten TROMMEL, Võru REI
5	Artemi JEREMEJEV, Dodze

XIV International Autumn Tournament 08.10.2016 EB-25

Competitors: 5

Competitors

#	Name	Grade	Club	1	2	3	4	5	Wins	Pts	Pos
1	German KALISTRATOV	?	Tanuki		10	10	10	10	4	40	1
2	Ragnar MÄGI	?	Altia				10		1	10	4
3	Ian Hugu LEHTORG	?	Barra		10		10		2	20	3
4	Nikita TSIP	?	Zen						0	0	5
5	Rolan OMELIN	?	Dodze		10	10	10		3	30	2

Matches

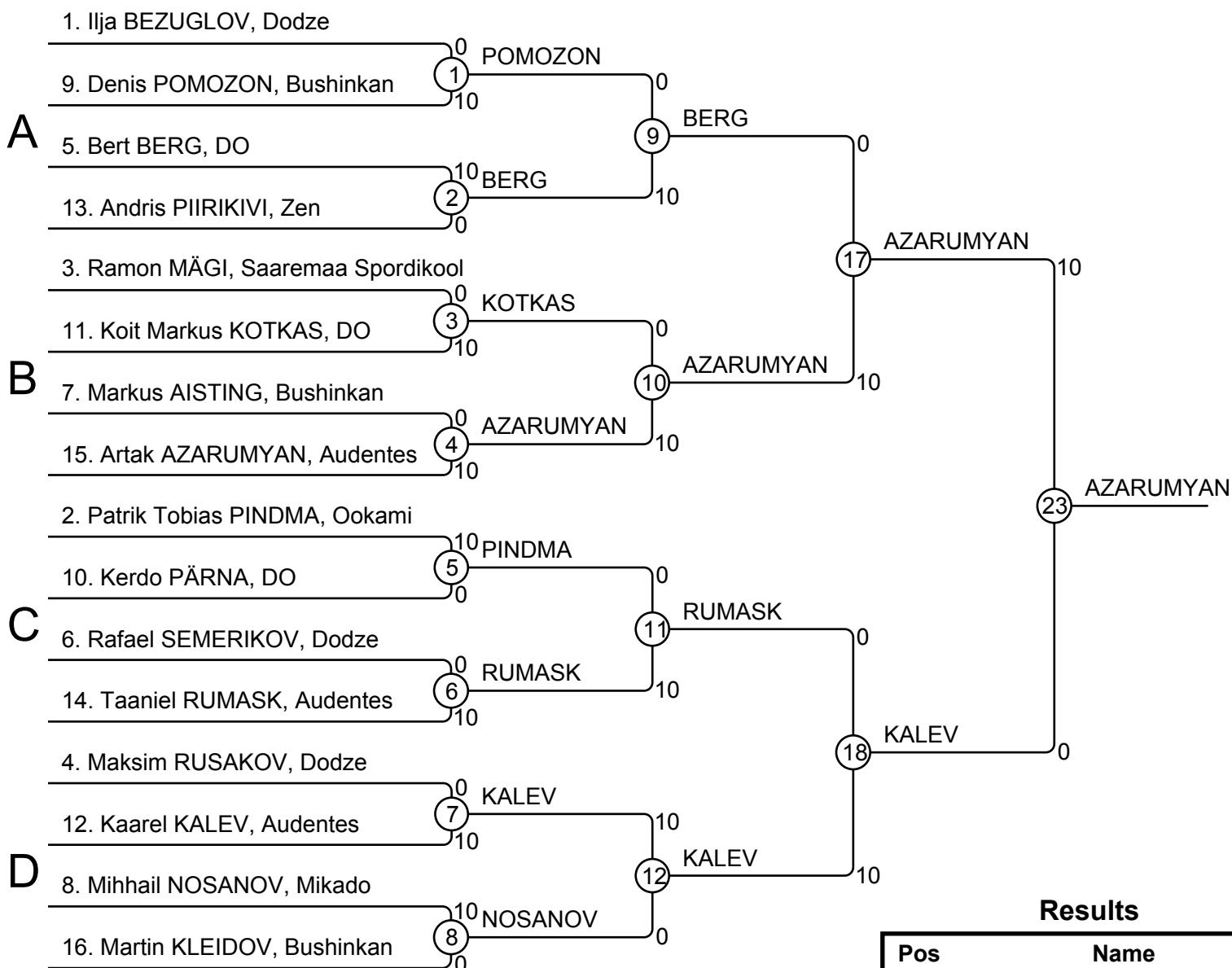
Match	White		Blue		Result	Time
1	Nikita TSIP	4	5	Rolan OMELIN	0 - 10	0:00
2	German KALISTRATOV	1	2	Ragnar MÄGI	10 - 0	0:00
3	Ian Hugu LEHTORG	3	4	Nikita TSIP	10 - 0	0:00
4	German KALISTRATOV	1	5	Rolan OMELIN	10 - 0	0:00
5	Ragnar MÄGI	2	3	Ian Hugu LEHTORG	0 - 10	0:00
6	German KALISTRATOV	1	4	Nikita TSIP	10 - 0	0:00
7	Ian Hugu LEHTORG	3	5	Rolan OMELIN	0 - 10	0:00
8	Ragnar MÄGI	2	4	Nikita TSIP	10 - 0	0:00
9	German KALISTRATOV	1	3	Ian Hugu LEHTORG	10 - 0	0:00
10	Ragnar MÄGI	2	5	Rolan OMELIN	0 - 10	0:00

Results

Pos	Name
1	German KALISTRATOV, Tanuki
2	Rolan OMELIN, Dodze
3	Ian Hugu LEHTORG, Barra
4	Ragnar MÄGI, Altia
5	Nikita TSIP, Zen

XIV International Autumn Tournament 08.10.2016 EB-27

Competitors: 16

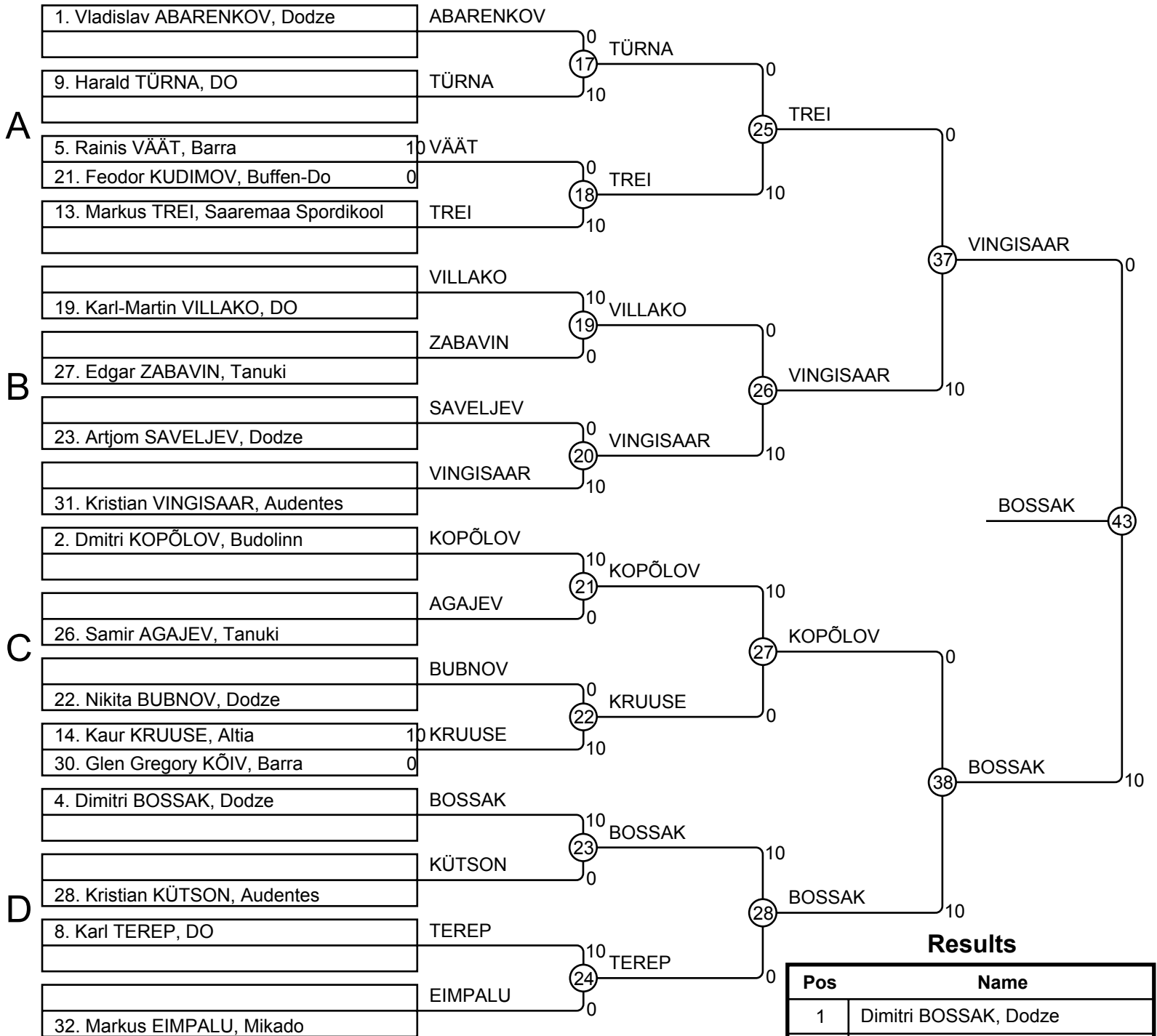


Results

Pos	Name
1	Artak AZARUMYAN, Audentes
2	Kaarel KALEV, Audentes
3	Taaniel RUMASK, Audentes
3	Bert BERG, DO
5	Koit Markus KOTKAS, DO
5	Patrik Tobias PINDMA, Ookami
7	Andris PIIRIKIVI, Zen
7	Mihhail NOSANOV, Mikado

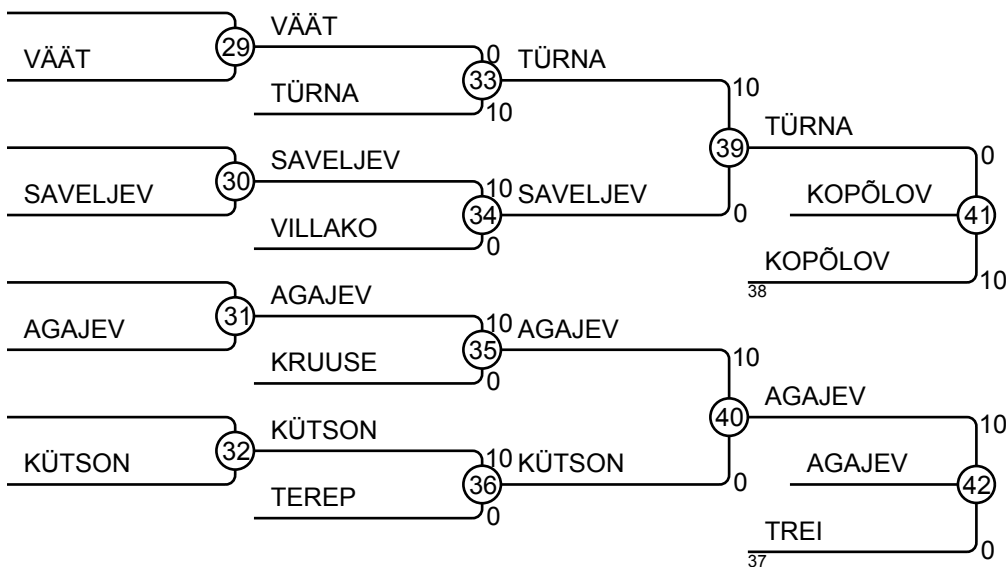
XIV International Autumn Tournament 08.10.2016 EB-30

Competitors: 18



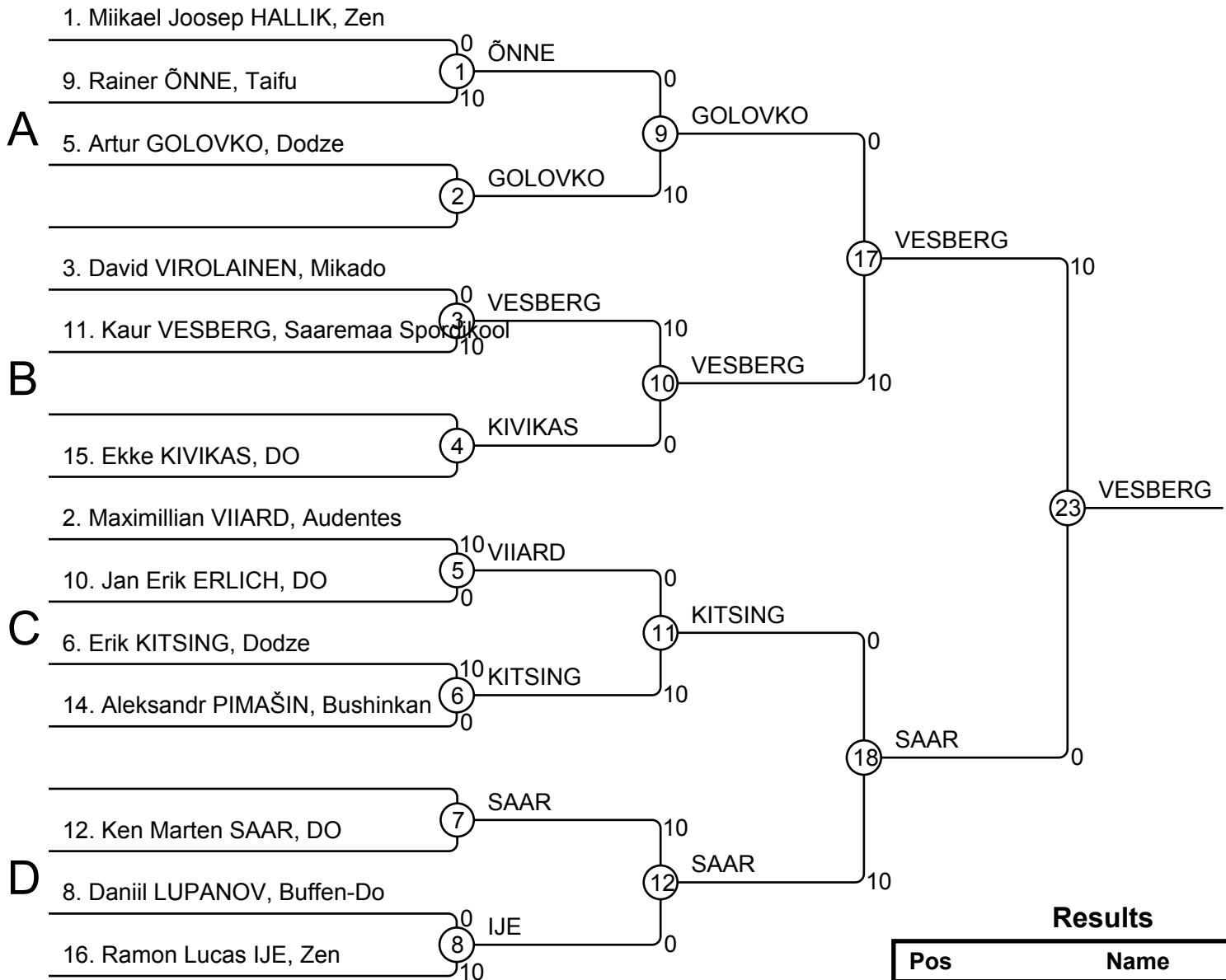
Results

Pos	Name
1	Dimitri BOSSAK, Dodze
2	Kristian VINGISAAR, Audentes
3	Dmitri KOPÕLOV, Budolinn
3	Samir AGAJEV, Tanuki
5	Harald TÜRNA, DO
5	Markus TREI, Saaremaa Spordikool
7	Artjom SAVELJEV, Dodze
7	Kristian KÛTSON, Audentes



XIV International Autumn Tournament 08.10.2016 EB-34

Competitors: 13

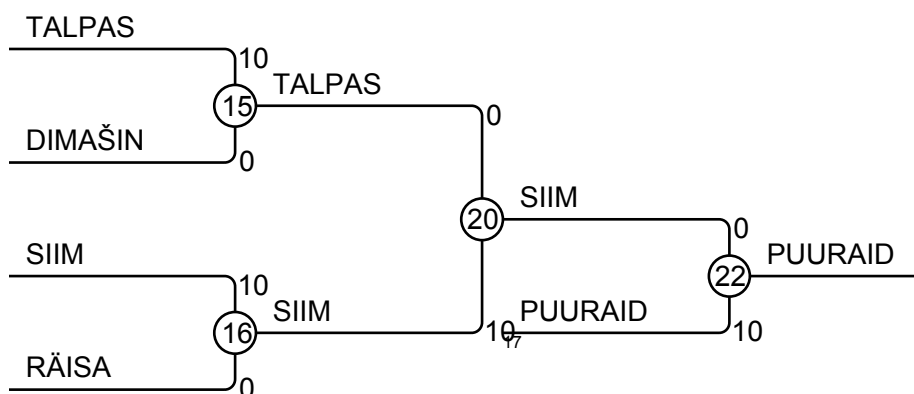
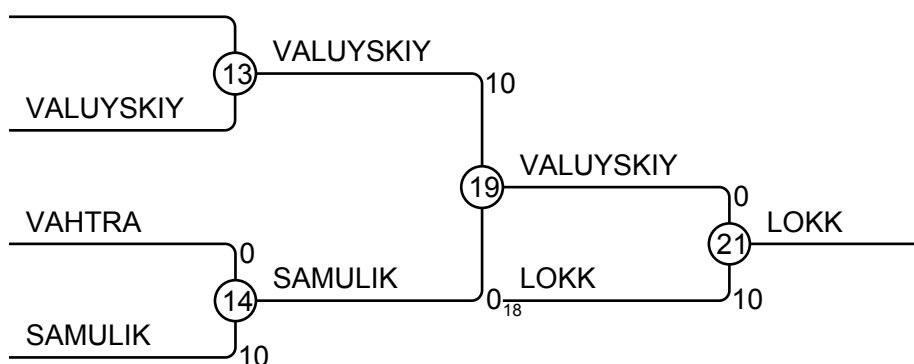
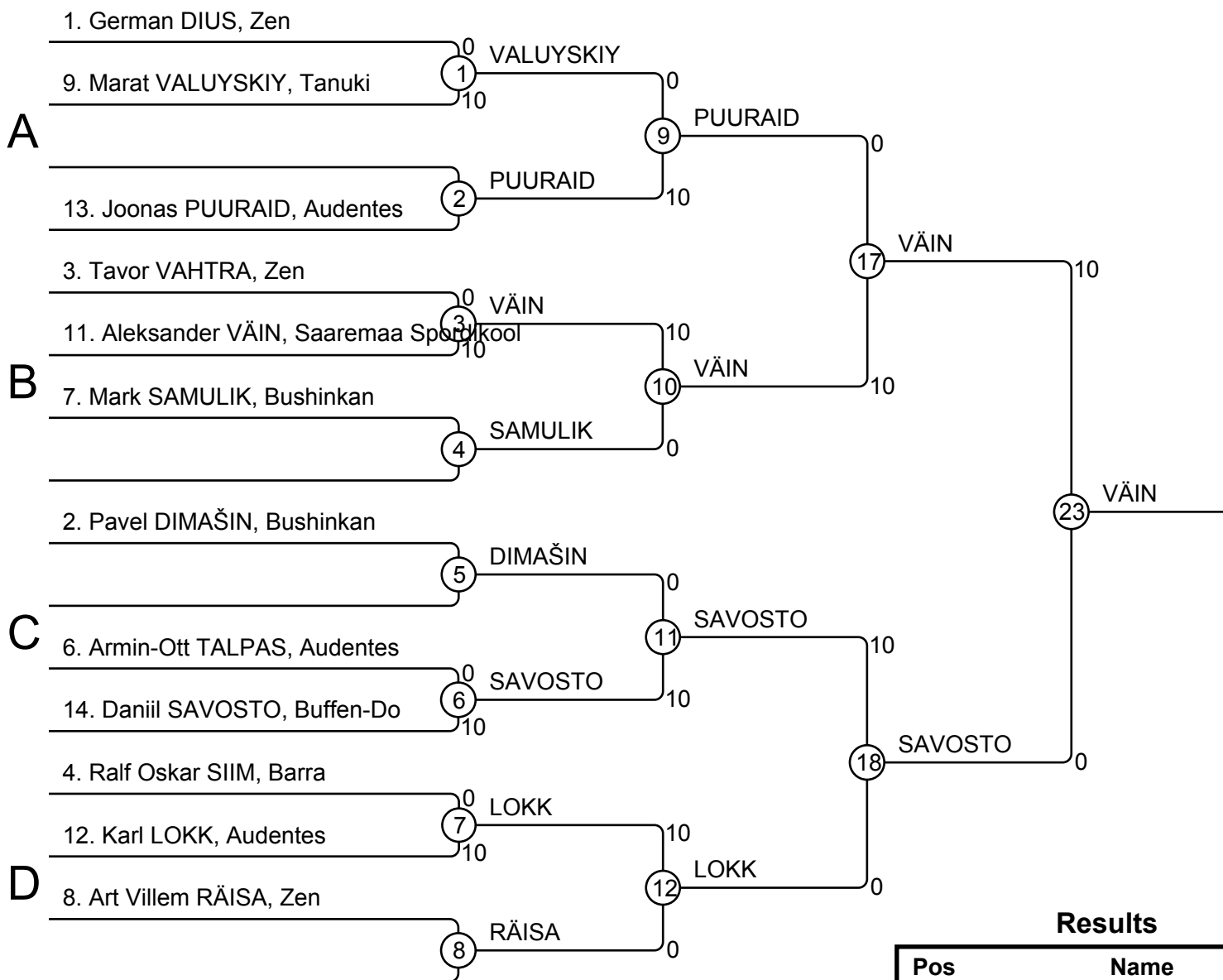


Results

Pos	Name
1	Kaur VESBERG, Saaremaa Spordikool
2	Ken Marten SAAR, DO
3	Rainer ÖNNE, Taifu
3	Artur GOLOVKO, Dodze
5	Erik KITSING, Dodze
5	Maximillian VIIARD, Audentes
7	Ekke KIVIKAS, DO
7	Ramon Lucas IJE, Zen

XIV International Autumn Tournament 08.10.2016 EB-38

Competitors: 12



Results

Pos	Name
1	Aleksander VÄIN, Saaremaa Spordikool
2	Daniil SAVOSTO, Buffen-Do
3	Karl LOKK, Audentes
3	Joonas PUURAIID, Audentes
5	Marat VALUYSKIY, Tanuki
5	Ralf Oskar SIIM, Barra
7	Mark SAMULIK, Bushinkan
7	Armin-Ott TALPAS, Audentes

XIV International Autumn Tournament 08.10.2016 EG +55

Competitors: 2

Competitors

#	Name	Grade	Club	1	2	1	2	1	2	Wins	Pts	Pos
1	Angelina PINTŠUK	?	Afina							0	0	2
2	Emma Melis AKTAS	?	Altia	7		1				2	8	1

Matches

Match	White			Blue	Result	Time
1	Angelina PINTŠUK	1	2	Emma Melis AKTAS	0 - 7	0:00
2	Angelina PINTŠUK	1	2	Emma Melis AKTAS	0 - 1	0:00
3	Angelina PINTŠUK	1	2	Emma Melis AKTAS		

Results

Pos	Name
1	Emma Melis AKTAS, Altia
2	Angelina PINTŠUK, Afina

XIV International Autumn Tournament 08.10.2016 EG -30

Competitors: 2

Competitors

#	Name	Grade	Club	1	2	1	2	1	2	Wins	Pts	Pos
1	Lisette ILVES	?	DO		10					1	10	2
2	Teele LESTAL	?	DO			10		10		2	20	1

Matches

Match	White		Blue	Result	Time	
1	Lisette ILVES	1	2	Teele LESTAL	10 - 0	0:00
2	Lisette ILVES	1	2	Teele LESTAL	0 - 10	0:00
3	Lisette ILVES	1	2	Teele LESTAL	0 - 10	0:00

Results

Pos	Name
1	Teele LESTAL, DO
2	Lisette ILVES, DO