

International Spring Tournament 06.04.2019

+36 U10T

Competitors

Competitors: 1

#	Name	Grade	Club	1	Wins	Pts	Pos
1	NAJD ALMALKI	?	Saudi Arabian Judo Federation		0	0	1

Matches

Match	White	Blue	Result	Time
-------	-------	------	--------	------

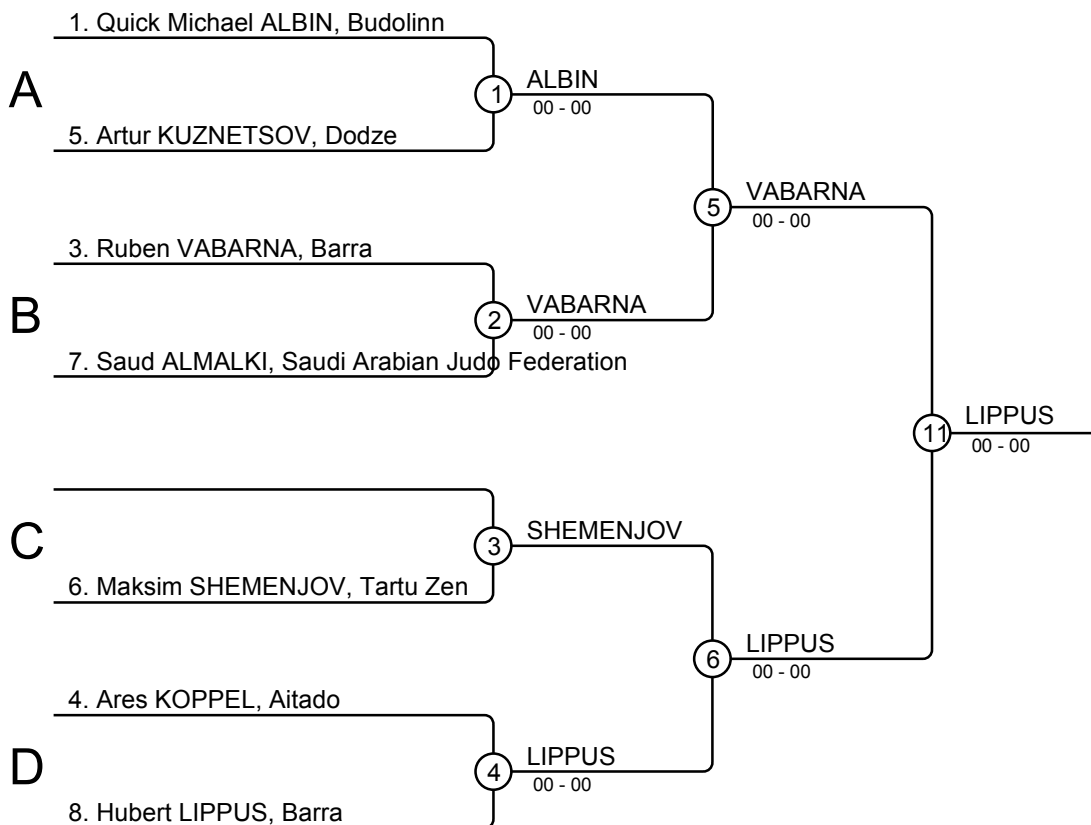
Results

Pos	Name
1	NAJD ALMALKI, Saudi Arabian Judo Federation

International Spring Tournament 06.04.2019

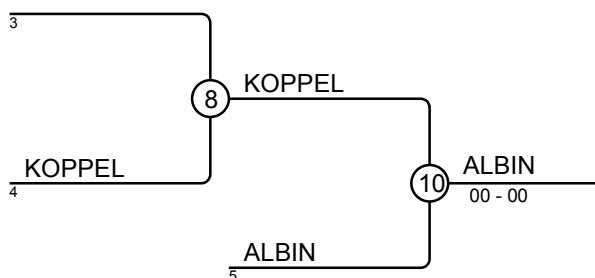
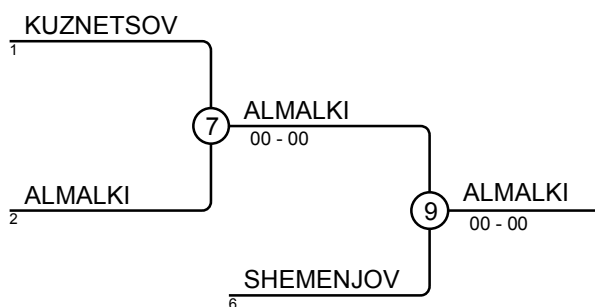
+38 U10P

Competitors: 7



Results

Pos	Name
1	Hubert LIPPUS, Barra
2	Ruben VABARNA, Barra
3	Saud ALMALKI, Saudi Arabian Judo Federation
3	Quick Michael ALBIN, Budolinn
5	Maksim SHEMENJOV, Tartu Zen
5	Ares KOPPEL, Aitado
7	Artur KUZNETSOV, Dodze
7	



International Spring Tournament 06.04.2019 +40 U12T

Competitors

Competitors: 4

#	Name	Grade	Club	1	2	3	4	Wins	Pts	Pos
1	Evelina ROOSI	?	Energia/Bufen-do					0	0	4
2	Kristiaana PALMIK	?	Ookami	10		10	10	3	30	1
3	Milja MARJUNEN	?	Maskun Tempo	10			10	2	20	2
4	Heli FLOREN	?	Zen	10				1	10	3

Matches

Match	White		Blue	Result	Time
1	Evelina ROOSI	1	2	Kristiaana PALMIK	0-10 0:00
2	Milja MARJUNEN	3	4	Heli FLOREN	10-0 0:00
3	Evelina ROOSI	1	3	Milja MARJUNEN	0-10 0:00
4	Kristiaana PALMIK	2	4	Heli FLOREN	10-0 0:00
5	Evelina ROOSI	1	4	Heli FLOREN	0-10 0:00
6	Kristiaana PALMIK	2	3	Milja MARJUNEN	10-0 0:00

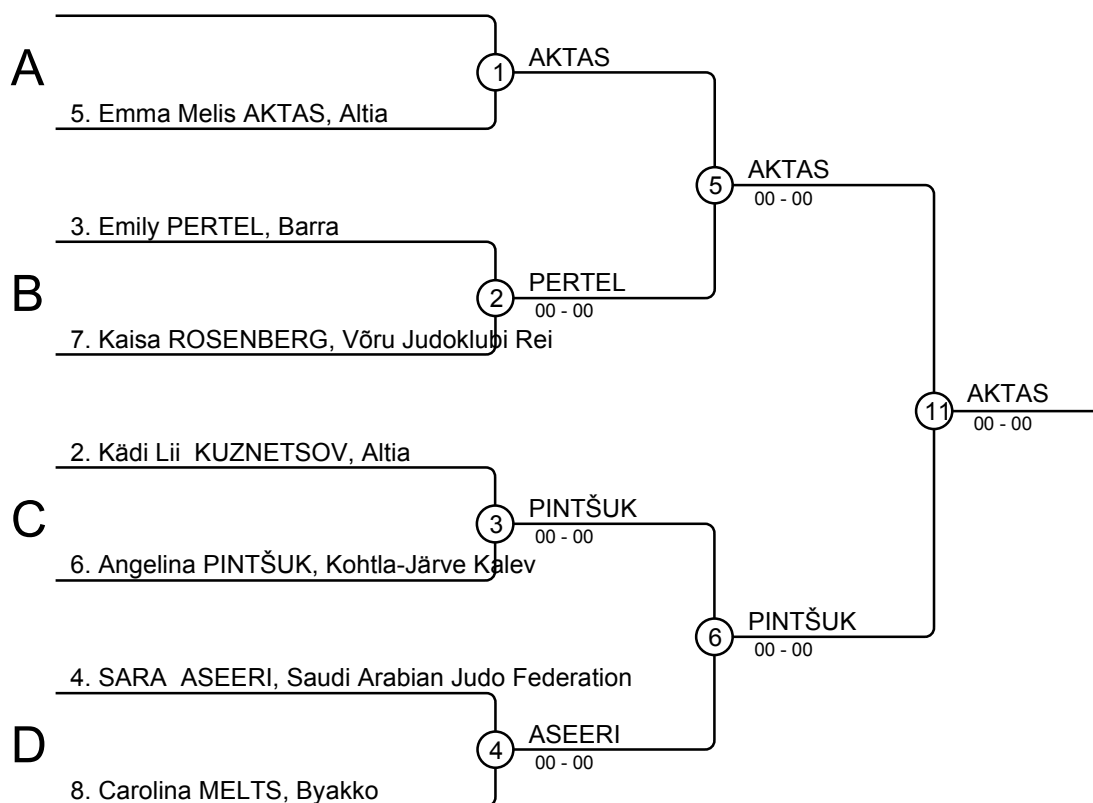
Results

Pos	Name
1	Kristiaana PALMIK, Ookami
2	Milja MARJUNEN, Maskun Tempo
3	Heli FLOREN, Zen
4	Evelina ROOSI, Energia/Bufen-do

International Spring Tournament 06.04.2019

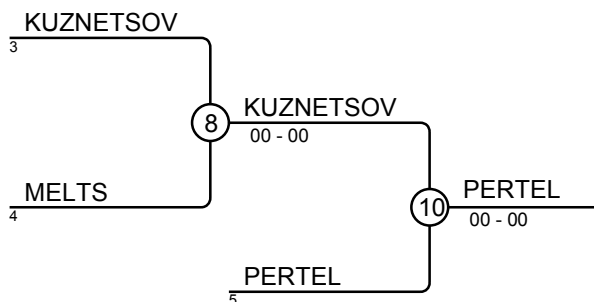
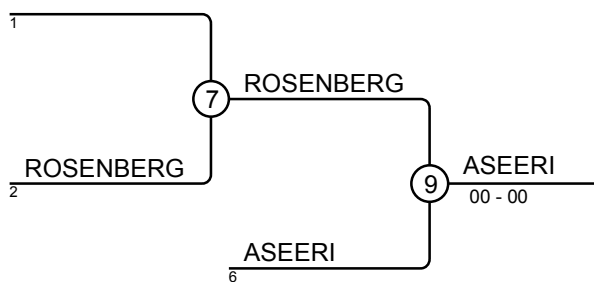
+52 U14T

Competitors: 7



Results

Pos	Name
1	Emma Melis AKTAS, Altia
2	Angelina PINTŠUK, Kohtla-Järve Kalev
3	SARA ASEERI, Saudi Arabian Judo Federation
3	Emily PERTEL, Barra
5	Kaisa ROSENBERG, Võru Judoklubi Rei
5	Kädi Lii KUZNETSOV, Altia
7	
7	Carolina MELTS, Byakko



International Spring Tournament 06.04.2019

+70 U14P

Competitors

Competitors: 5

#	Name	Grade	Club	1	2	3	4	5	Wins	Pts	Pos
1	Ivan NIKANOROV	?	Energia/Bufen-do						0	0	5
2	Oskar RAUDNAGEL	?	Do	10					1	10	4
3	MOHAMMED ALMALKI	?	Saudi Arabian Judo Federation	10	10				2	20	3
4	Rasmus RITSON	?	Altia	10	10	10		10	4	40	1
5	Markus KAJAK	?	Altia	10	10	10			3	30	2

Matches

Match	White		Blue		Result	Time
1	Rasmus RITSON	4	5	Markus KAJAK	10-0	0:00
2	Ivan NIKANOROV	1	2	Oskar RAUDNAGEL	0-10	0:00
3	MOHAMMED ALMALKI	3	4	Rasmus RITSON	0-10	0:00
4	Ivan NIKANOROV	1	5	Markus KAJAK	0-10	0:00
5	Oskar RAUDNAGEL	2	3	MOHAMMED ALMALKI	0-10	0:00
6	Ivan NIKANOROV	1	4	Rasmus RITSON	0-10	0:00
7	MOHAMMED ALMALKI	3	5	Markus KAJAK	0-10	0:00
8	Oskar RAUDNAGEL	2	4	Rasmus RITSON	0-10	0:00
9	Ivan NIKANOROV	1	3	MOHAMMED ALMALKI	0-10	0:00
10	Oskar RAUDNAGEL	2	5	Markus KAJAK	0-10	0:00

Results

Pos	Name
1	Rasmus RITSON, Altia
2	Markus KAJAK, Altia
3	MOHAMMED ALMALKI, Saudi Arabian Judo Federation
4	Oskar RAUDNAGEL, Do
5	Ivan NIKANOROV, Energia/Bufen-do

International Spring Tournament 06.04.2019

-19 U10P

Competitors

Competitors: 1

#	Name	Grade	Club	1	Wins	Pts	Pos
1	Samuel LOBIN	?	Tartu Zen		0	0	1

Matches

Match	White	Blue	Result	Time
-------	-------	------	--------	------

Results

Pos	Name
1	Samuel LOBIN, Tartu Zen

International Spring Tournament 06.04.2019

-23 U10P

Competitors

Competitors: 4

#	Name	Grade	Club	1	2	3	4	Wins	Pts	Pos
1	Kaur-Margus VILLAKO	?	Do		10	10	10	3	30	1
2	Taavet VENGERFELDT	?	Do			10	10	2	20	2
3	Samuel LOBIN	?	Tartu Zen				10	1	10	3
4	Artemi JEREMEJEV	?	Do					0	0	4

Matches

Match	White			Blue	Result	Time
1	Kaur-Margus VILLAKO	1	2	Taavet VENGERFELDT	10-0	0:00
2	Samuel LOBIN	3	4	Artemi JEREMEJEV	10-0	0:00
3	Kaur-Margus VILLAKO	1	3	Samuel LOBIN	10-0	0:00
4	Taavet VENGERFELDT	2	4	Artemi JEREMEJEV	10-0	0:00
5	Kaur-Margus VILLAKO	1	4	Artemi JEREMEJEV	10-0	0:00
6	Taavet VENGERFELDT	2	3	Samuel LOBIN	10-0	0:00

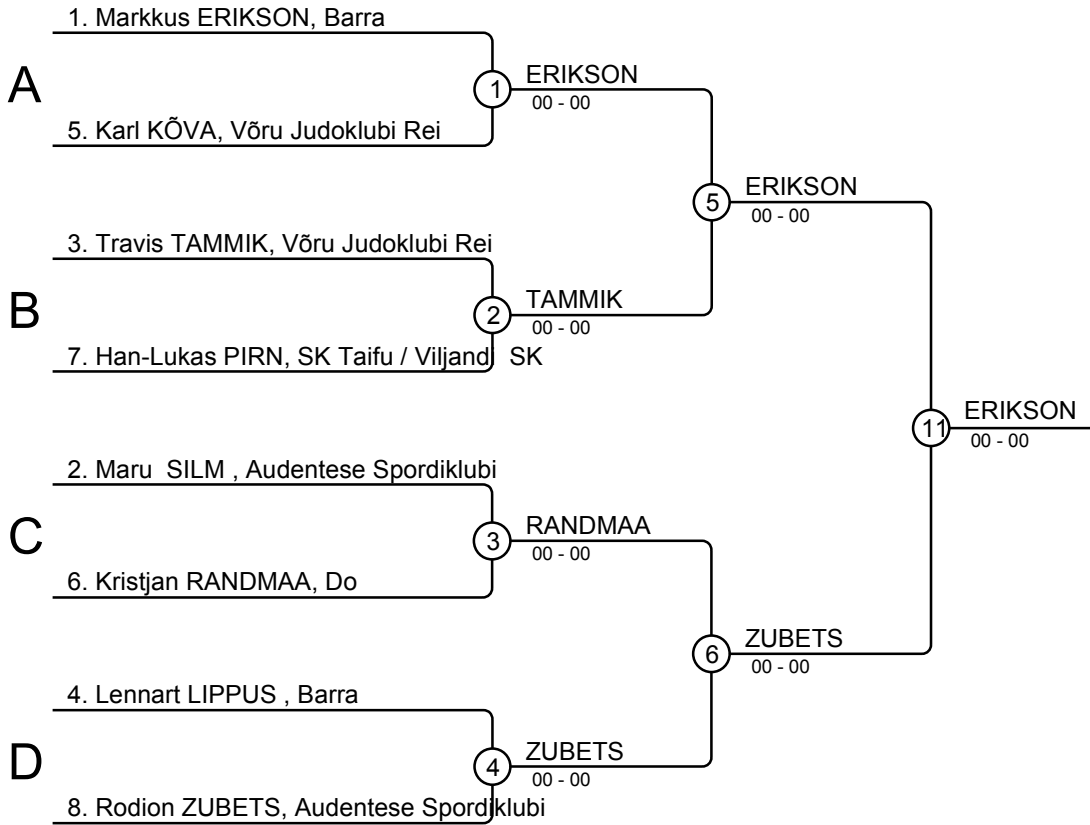
Results

Pos	Name
1	Kaur-Margus VILLAKO, Do
2	Taavet VENGERFELDT, Do
3	Samuel LOBIN, Tartu Zen
4	Artemi JEREMEJEV, Do

International Spring Tournament 06.04.2019

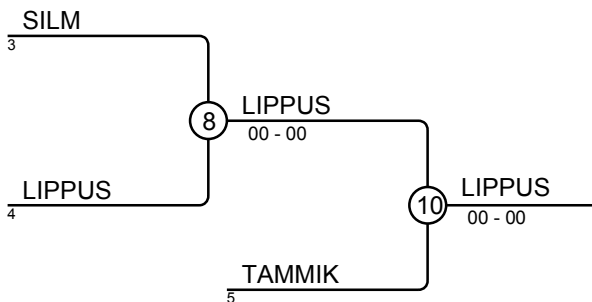
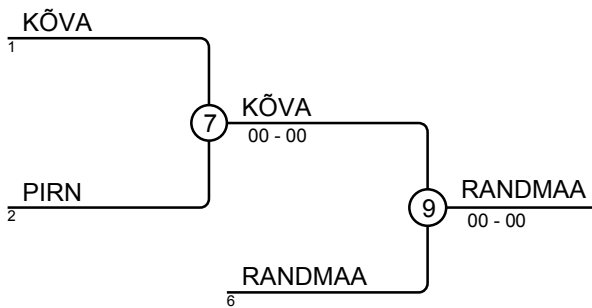
-25 U10P

Competitors: 8



Results

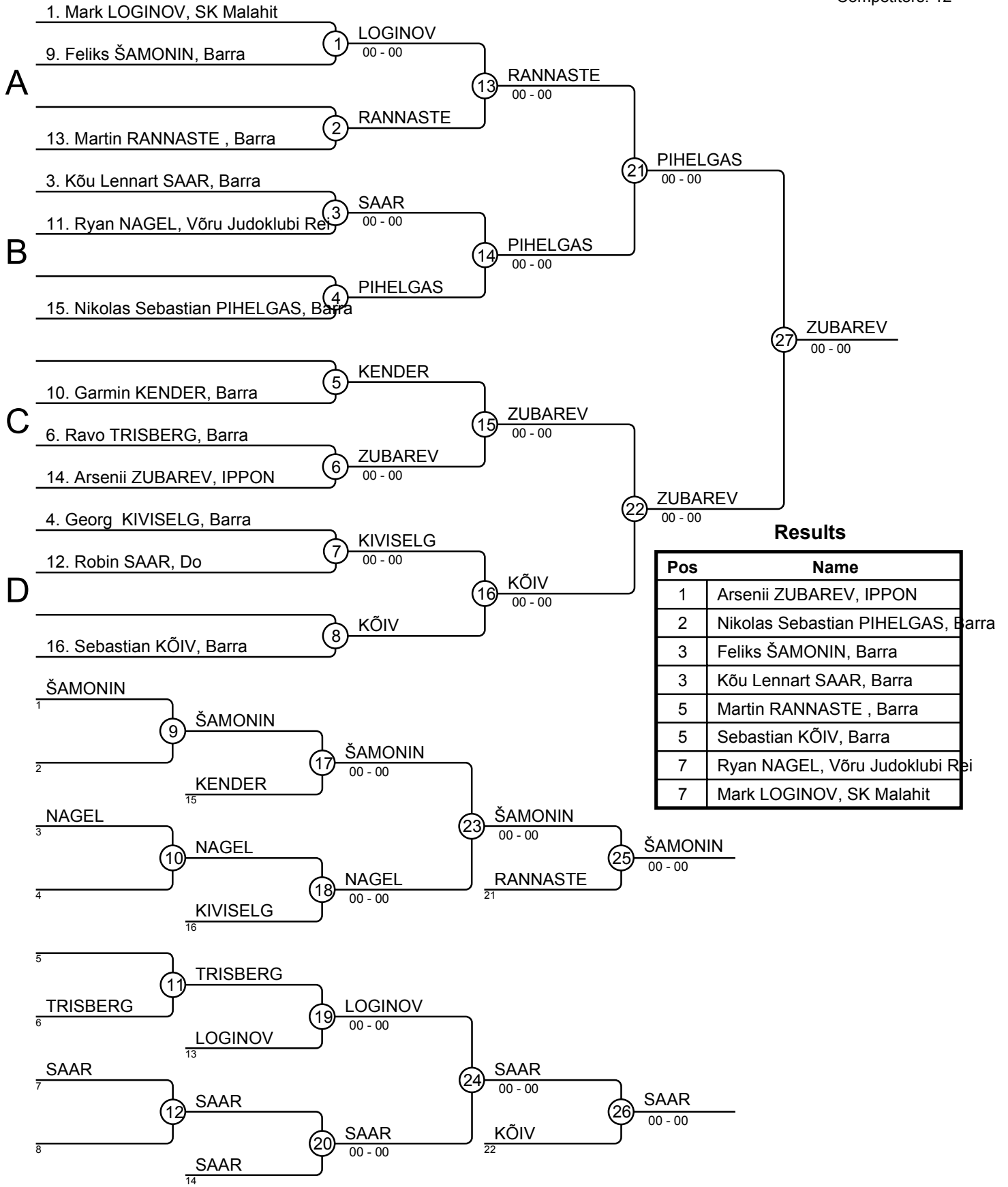
Pos	Name
1	Markkus ERIKSON, Barra
2	Rodion ZUBETS, Audentese Spordiklubi
3	Kristjan RANDMAA, Do
3	Lennart LIPPUS, Barra
5	Karl KÕVA, Võru Judoklubi Rei
5	Travis TAMMIK, Võru Judoklubi Rei
7	Han-Lukas PIRN, SK Taifu / Viljandi SK
7	Maru SILM, Audentese Spordiklubi



International Spring Tournament 06.04.2019

-27 U10P

Competitors: 12



International Spring Tournament 06.04.2019 -27 U12P

Competitors

Competitors: 5

#	Name	Grade	Club	1	2	3	4	5	Wins	Pts	Pos
1	Sebastian KÕIV	?	Barra						0	0	5
2	Markus SOE	?	Võru Judoklubi Rei	10		10		10	3	30	1
3	MESHARI ALSHAMMARI	?	Saudi Arabian Judo Federation				1	1	3	12	2
4	Kõu Lennart SAAR	?	Barra	10	1			1	3	12	3
5	Feliks ŠAMONIN	?	Barra	10					1	10	4

Matches

Match	White		Blue		Result	Time
1	Kõu Lennart SAAR	4	5	Feliks ŠAMONIN	1-0	0:00
2	Sebastian KÕIV	1	2	Markus SOE	0-10	0:00
3	MESHARI ALSHAMMARI	3	4	Kõu Lennart SAAR	1-0	0:00
4	Sebastian KÕIV	1	5	Feliks ŠAMONIN	0-10	0:00
5	Markus SOE	2	3	MESHARI ALSHAMMARI	10-0	0:00
6	Sebastian KÕIV	1	4	Kõu Lennart SAAR	0-10	0:00
7	MESHARI ALSHAMMARI	3	5	Feliks ŠAMONIN	1-0	0:00
8	Markus SOE	2	4	Kõu Lennart SAAR	0-1	0:00
9	Sebastian KÕIV	1	3	MESHARI ALSHAMMARI	0-10	0:00
10	Markus SOE	2	5	Feliks ŠAMONIN	10-0	0:00

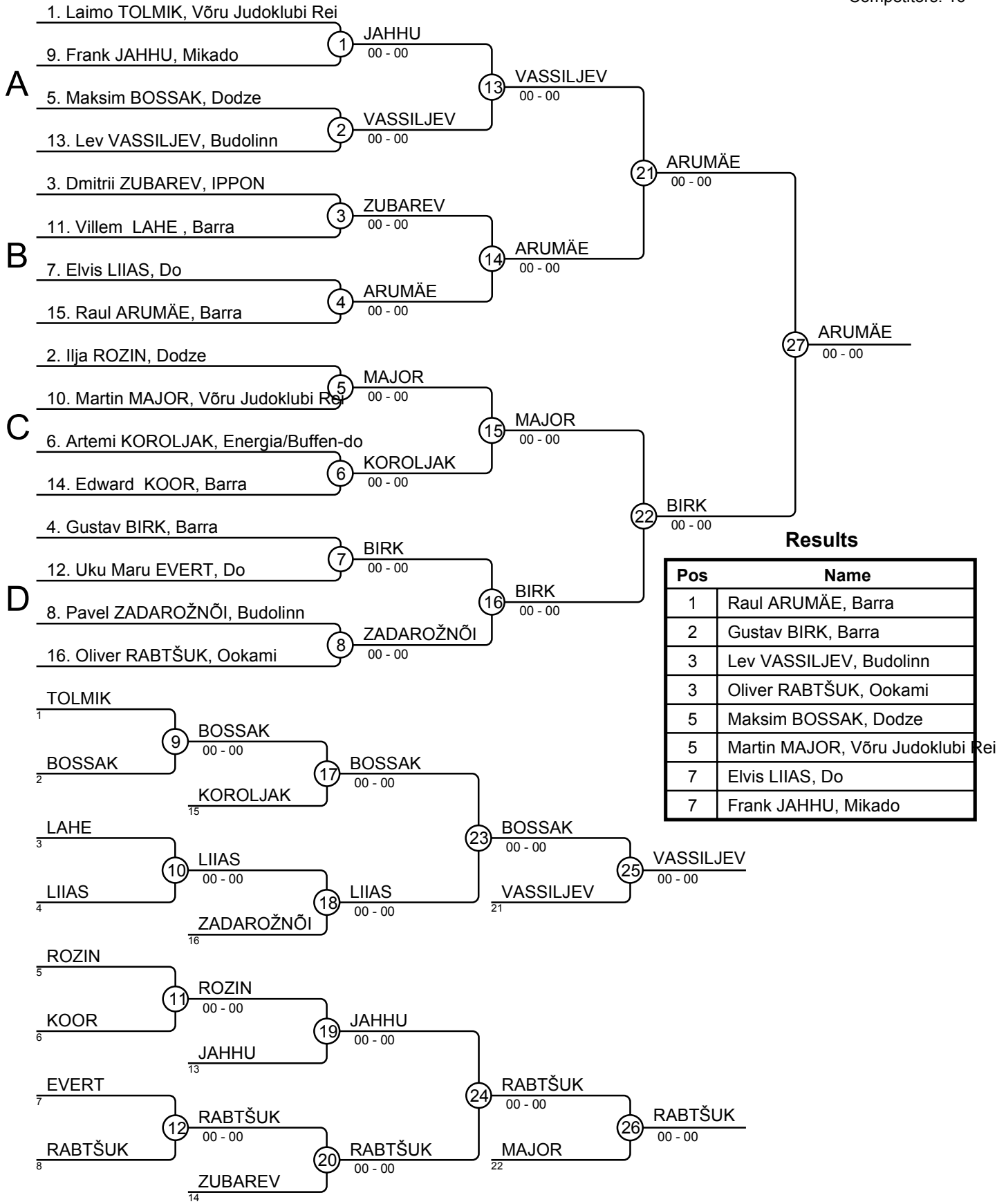
Results

Pos	Name
1	Markus SOE, Võru Judoklubi Rei
2	MESHARI ALSHAMMARI, Saudi Arabian Judo Federation
3	Kõu Lennart SAAR, Barra
4	Feliks ŠAMONIN, Barra
5	Sebastian KÕIV, Barra

International Spring Tournament 06.04.2019

-30 U10P

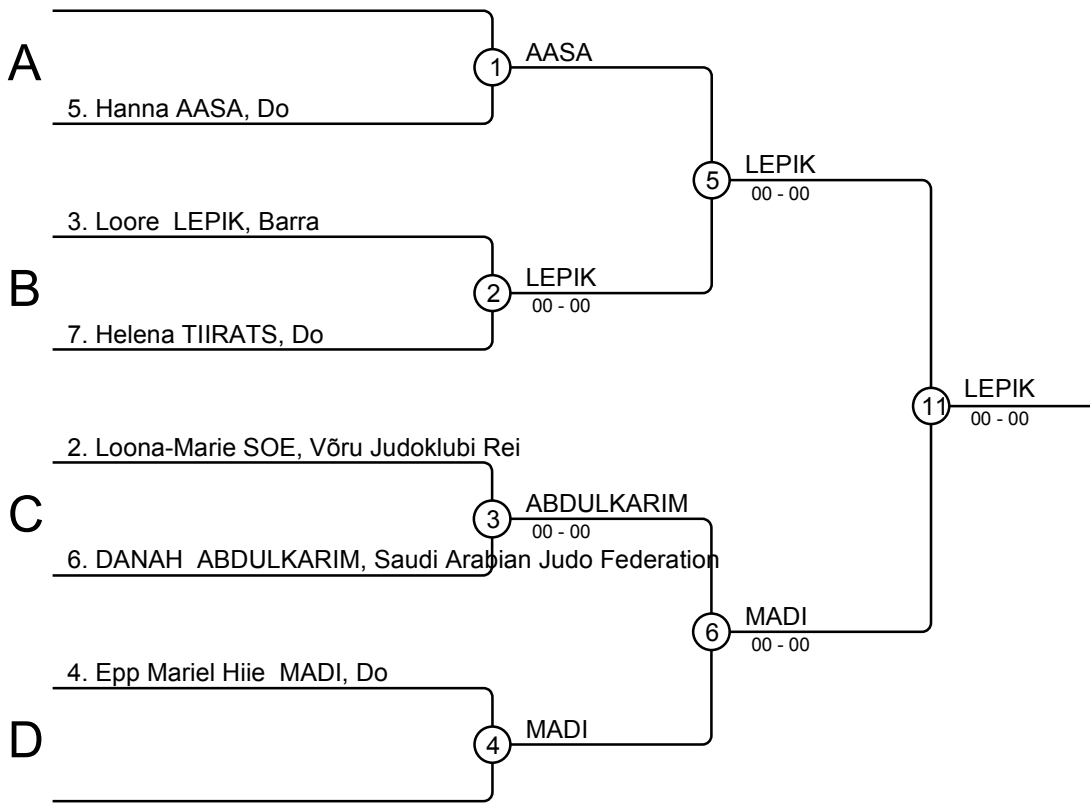
Competitors: 16



International Spring Tournament 06.04.2019

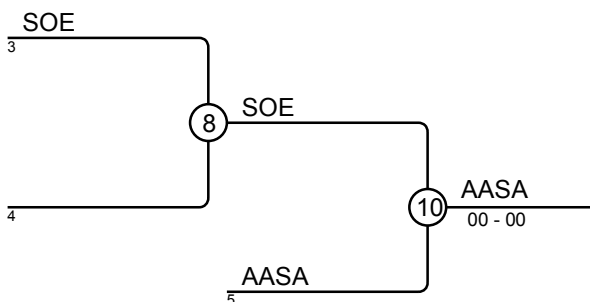
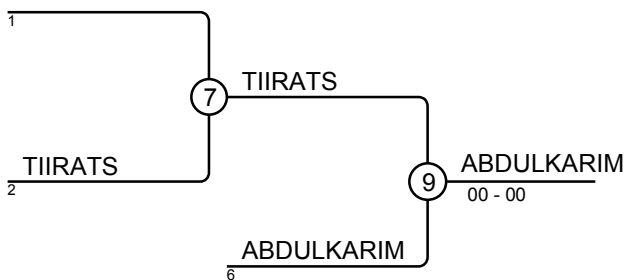
-30 U10T

Competitors: 6



Results

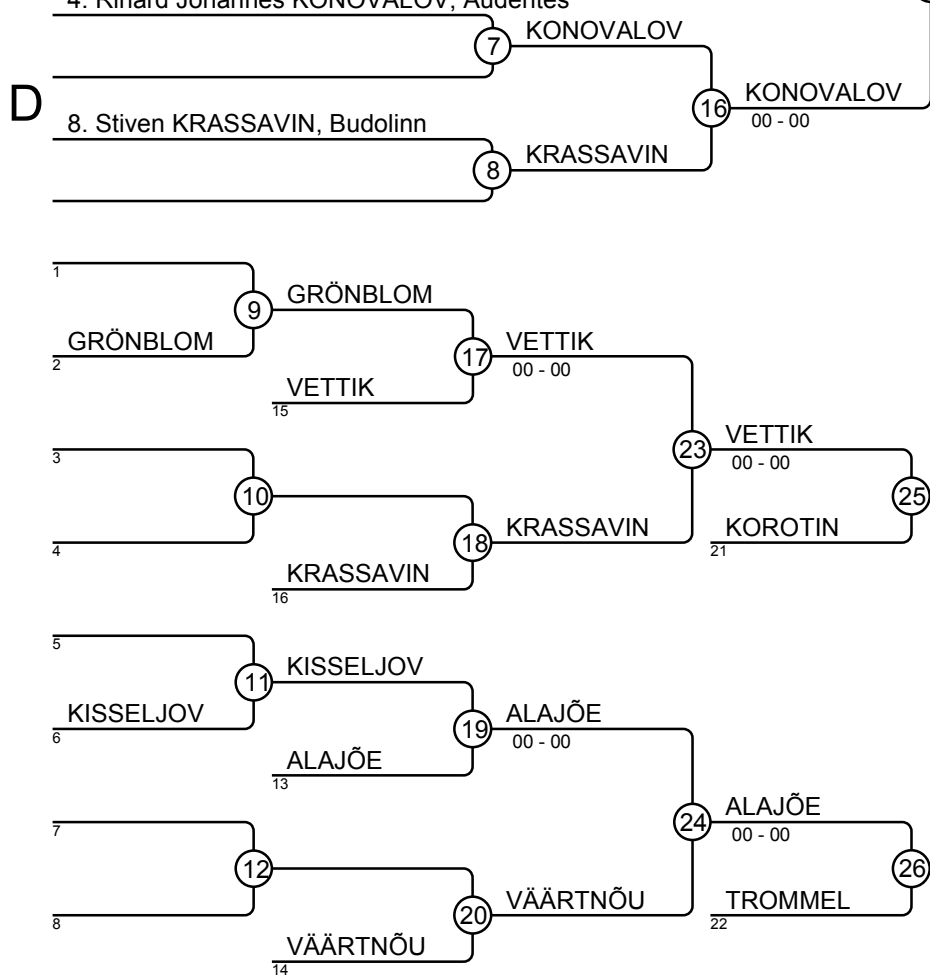
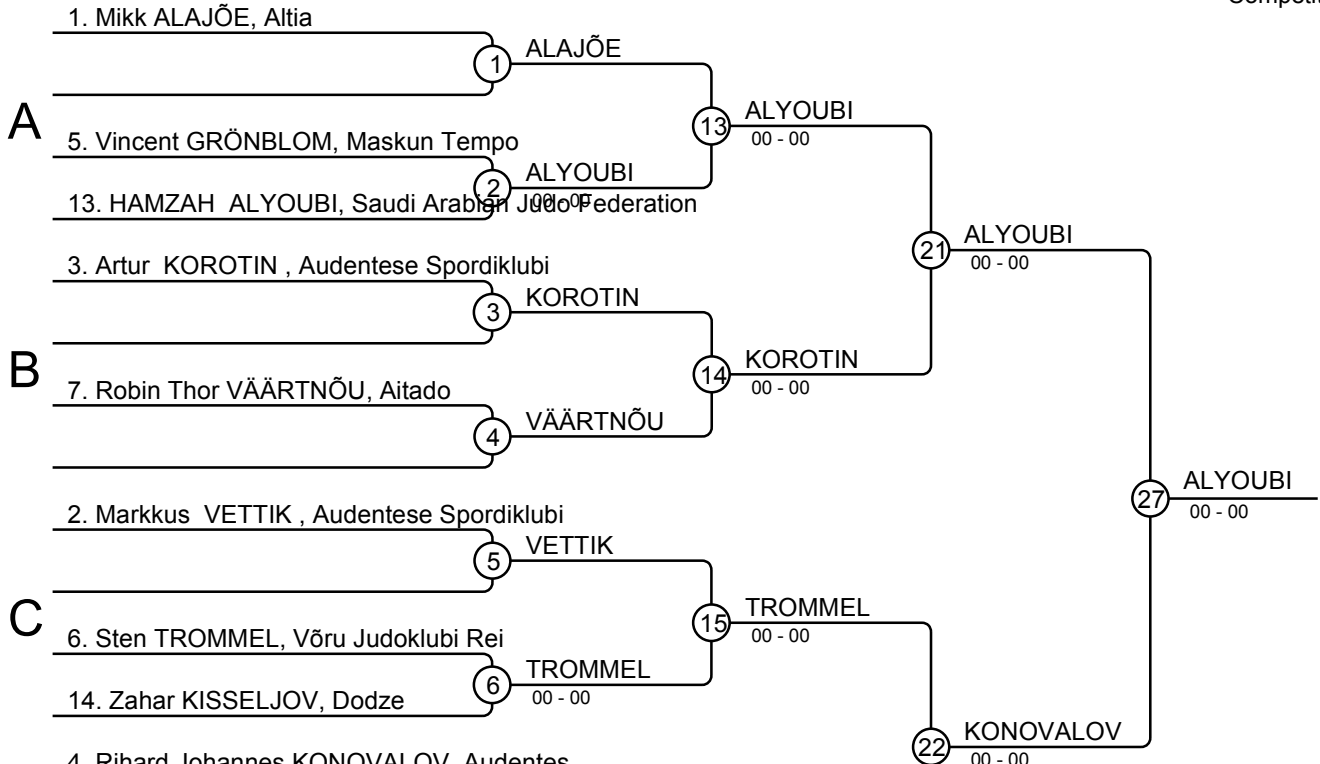
Pos	Name
1	Loore LEPIK, Barra
2	Epp Mariel Hiie MADI, Do
3	DANAHA ABDULKARIM, Saudi Arabian Judo Federation
3	Hanna AASA, Do
5	Helena TIIRATS, Do
5	Loona-Marie SOE, Võru Judoklubi Rei
7	
7	



International Spring Tournament 06.04.2019

-30 U12P

Competitors: 10



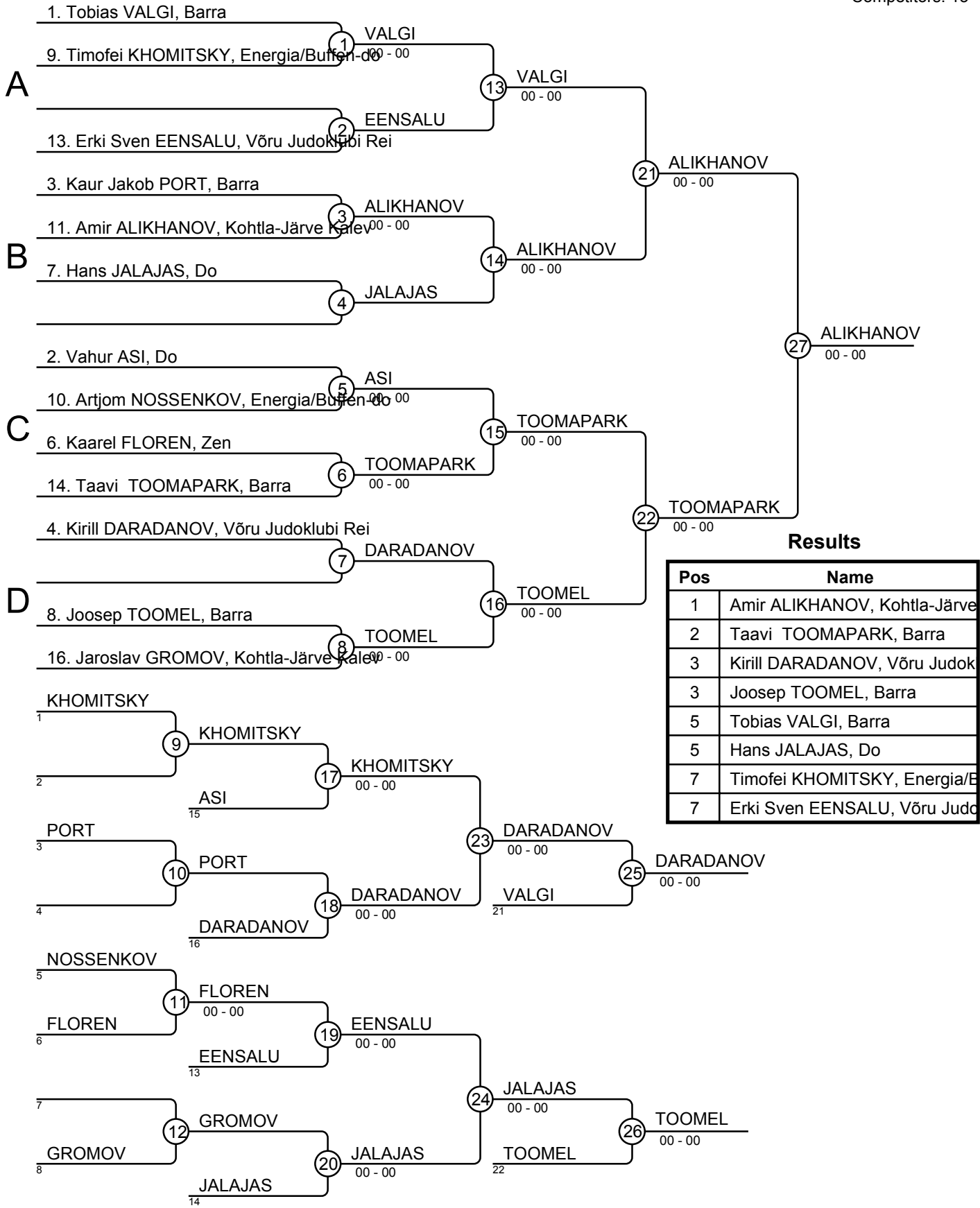
Results

Pos	Name
1	HAMZAH ALYOUNBI, Saudi Arabian Judo Federation
2	Rihard Johannes KONOVALOV, Audentes
3	Markkus VETTIK, Audentese Spordiklubi
3	Sten TROMMEL, Võru Judoklubi Rei
5	Artur KOROTIN, Audentese Spordiklubi
5	Mikk ALAJÕE, Altia
7	Stiven KRASSAVIN, Budolinn
7	Robin Thor VÄÄRTNÕU, Aitado

International Spring Tournament 06.04.2019

-34 U10P

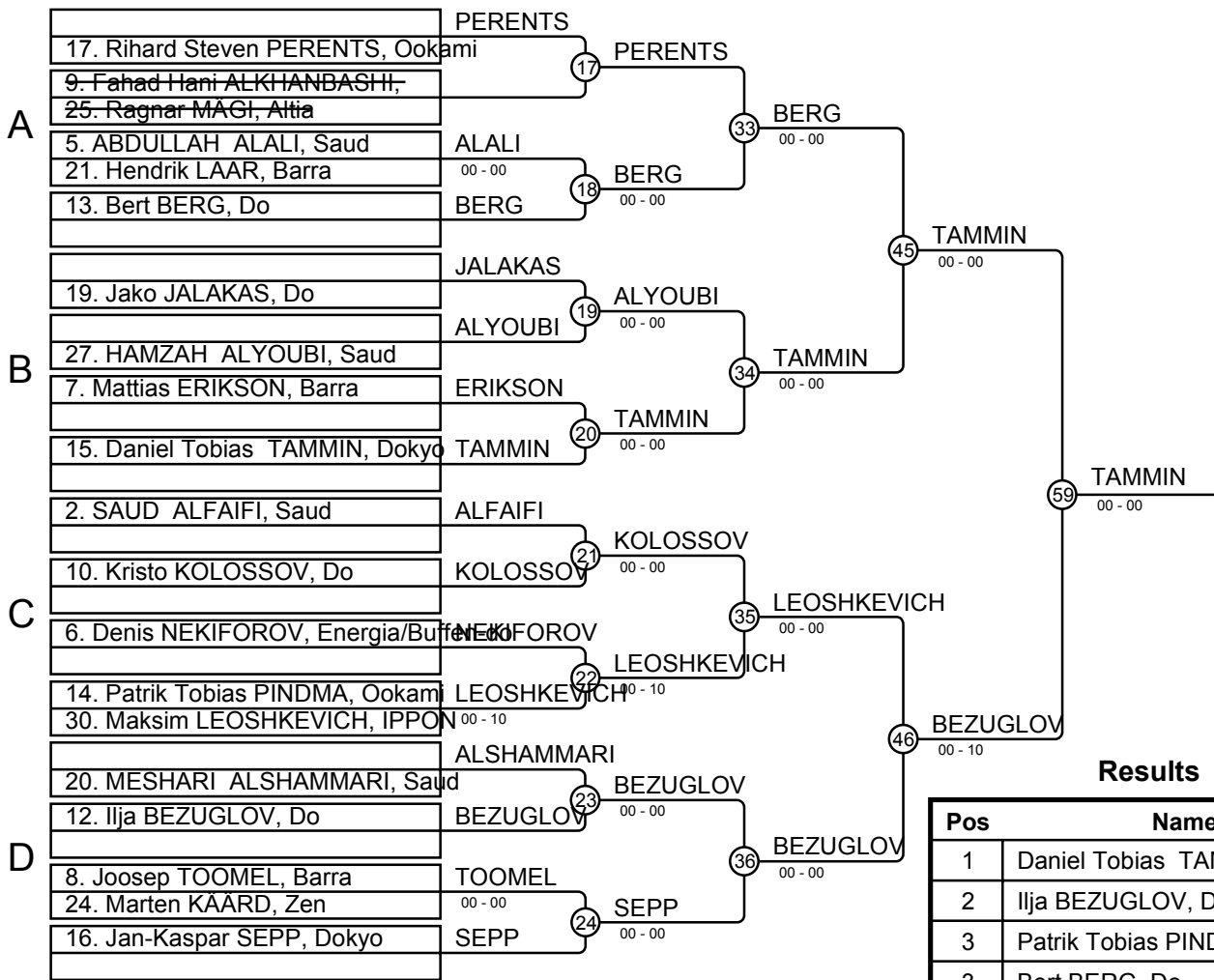
Competitors: 13



International Spring Tournament 06.04.2019

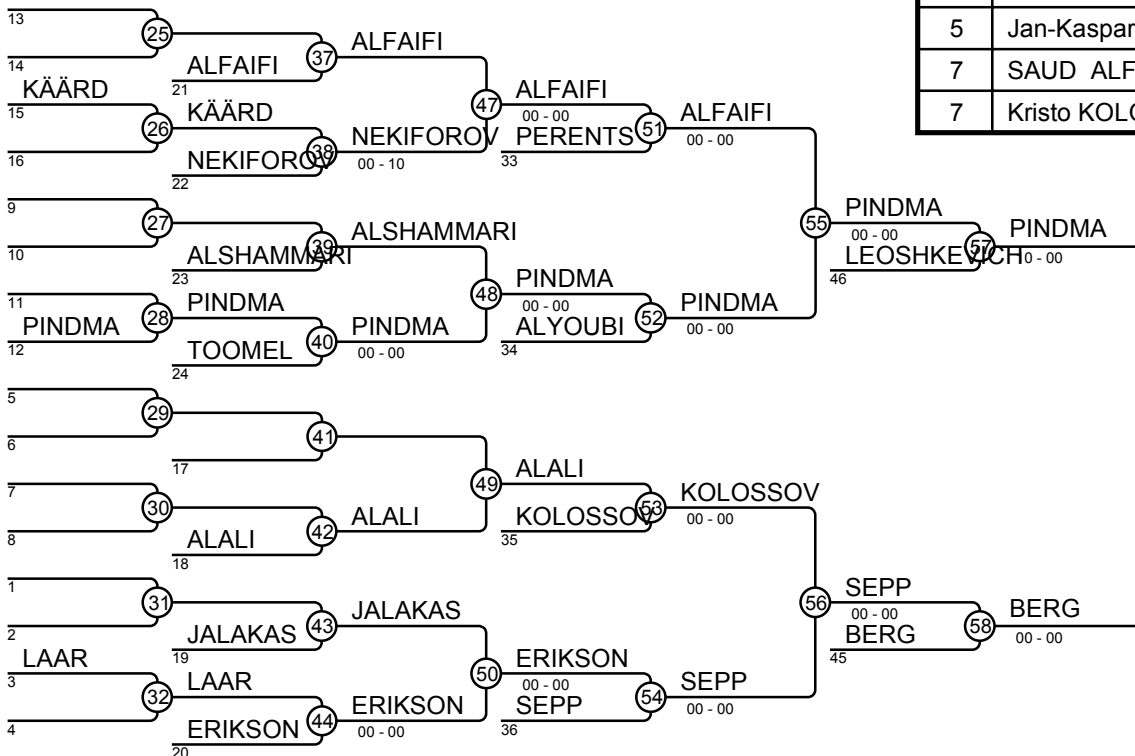
-34 U12P

Competitors: 20



Results

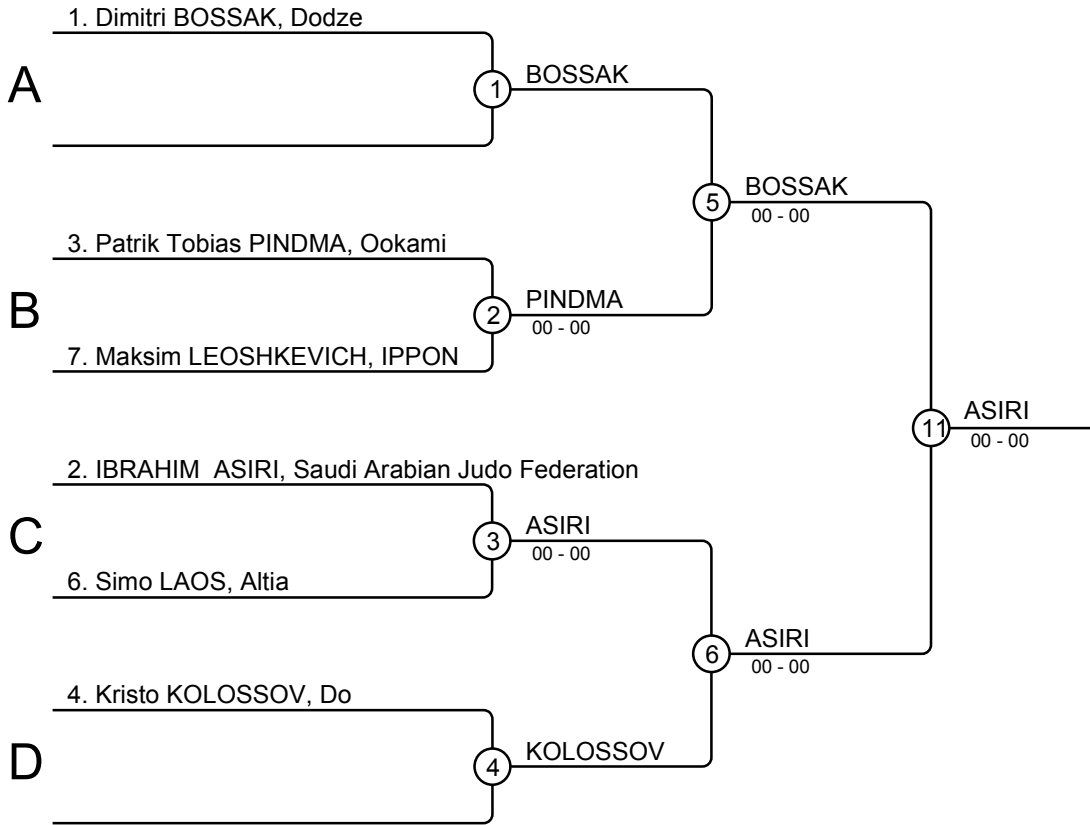
Pos	Name
1	Daniel Tobias TAMMIN, Dokyo
2	Ilja BEZUGLOV, Do
3	Patrik Tobias PINDMA, Oookami
3	Bert BERG, Do
5	Maksim LEOSHKEVICH, IPPON
5	Jan-Kaspar SEPP, Dokyo
7	SAUD ALFAIFI, Saud
7	Kristo KOLOSSOV, Do



International Spring Tournament 06.04.2019

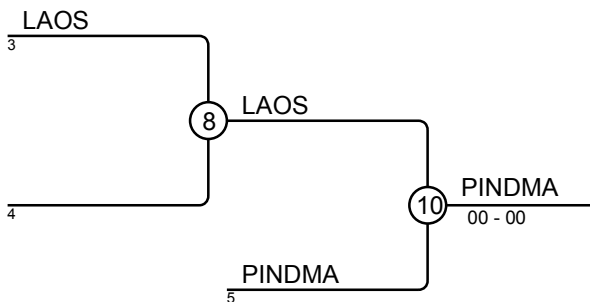
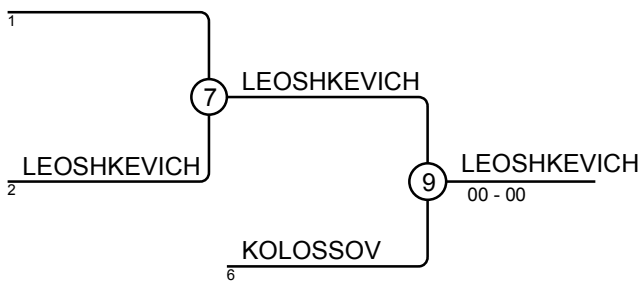
-34 U14P

Competitors: 6



Results

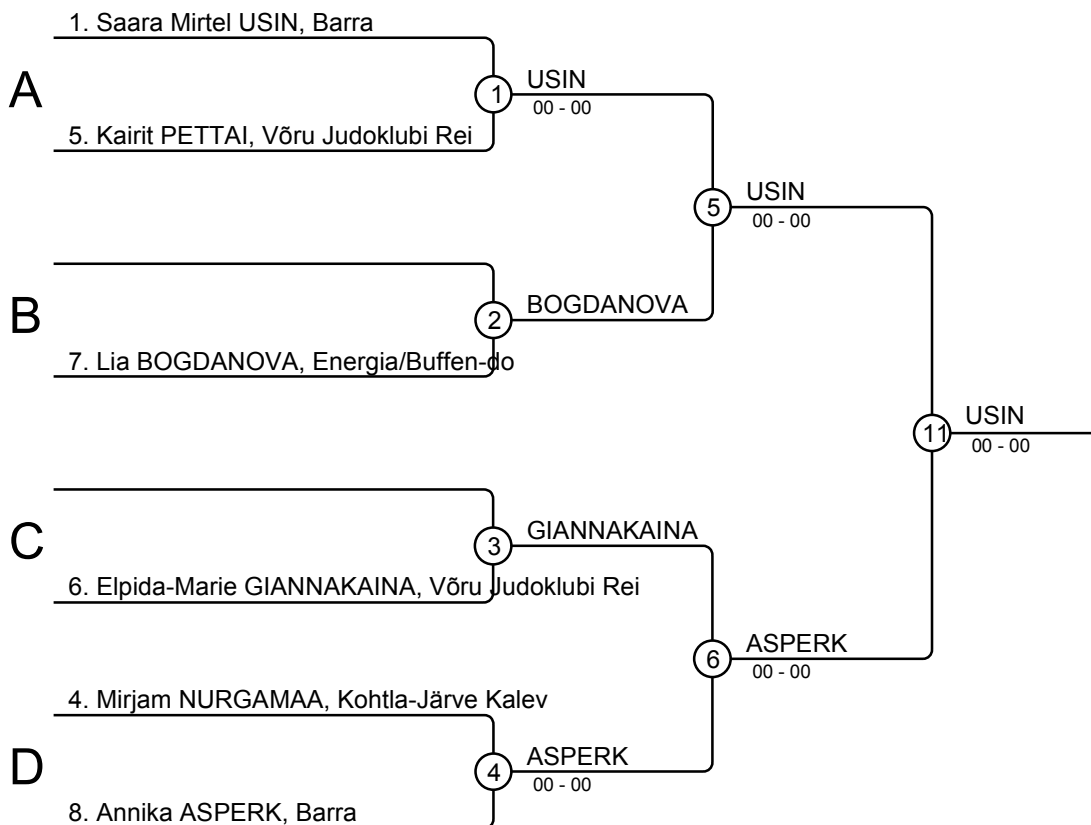
Pos	Name
1	IBRAHIM ASIRI, Saudi Arabian Judo Fed
2	Dimitri BOSSAK, Dodze
3	Maksim LEOSHKEVICH, IPPON
3	Patrik Tobias PINDMA, Ookami
5	Kristo KOLOSSOV, Do
5	Simo LAOS, Altia
7	
7	



International Spring Tournament 06.04.2019

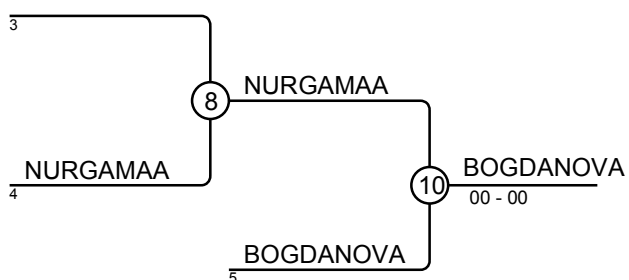
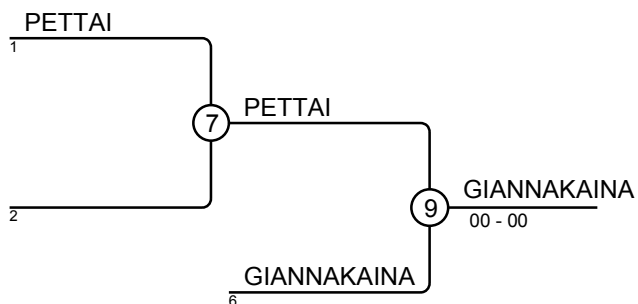
-36 U10T

Competitors: 6



Results

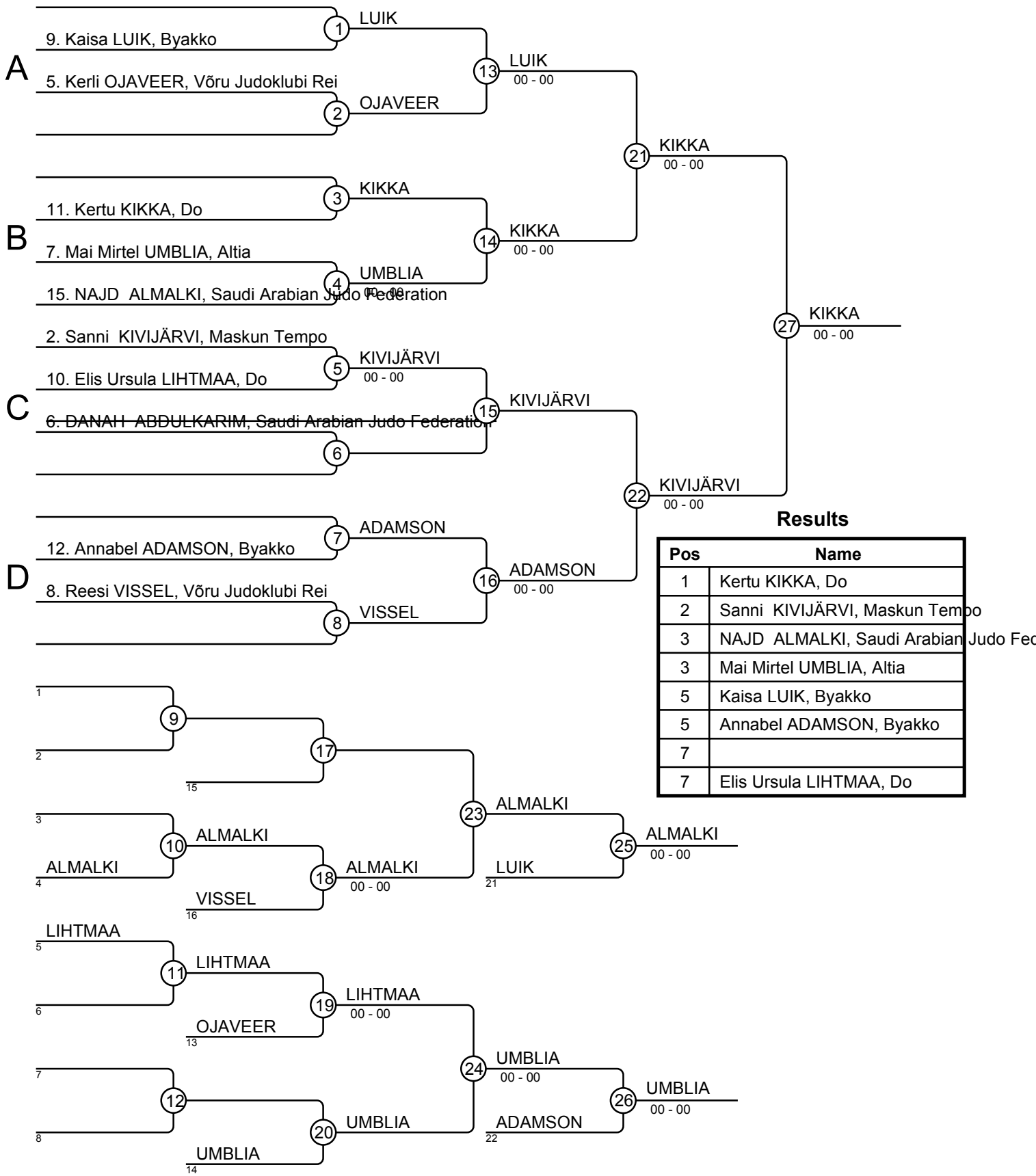
Pos	Name
1	Saara Mirtel USIN, Barra
2	Annika ASPERK, Barra
3	Elpida-Marie GIANNAKAINA, Võru Judoklubi Rei
3	Lia BOGDANOVA, Energia/Buffer-do
5	Kairit PETTAI, Võru Judoklubi Rei
5	Mirjam NURGAMAA, Kohtla-Järve Kalev
7	
7	



International Spring Tournament 06.04.2019

-36 U12T

Competitors: 10



International Spring Tournament 06.04.2019

-38 U10P

Competitors: 5

Competitors

#	Name	Grade	Club	1	2	3	4	5	Wins	Pts	Pos
1	August Martin NURM	?	Do		10	10		10	3	30	2
2	Kuldar VOROBJOV	?	SK Taifu / Viljandi SK			10			1	10	4
3	Casper KATTEL	?	Aitado						0	0	5
4	Kristjan TOOM	?	Barra	1	10	10		10	4	31	1
5	Trävis KUUSE	?	Barra		10	1			2	11	3

Matches

Match	White		Blue		Result	Time
1	Kristjan TOOM	4	5	Trävis KUUSE	10-0	0:00
2	August Martin NURM	1	2	Kuldar VOROBJOV	10-0	0:00
3	Casper KATTEL	3	4	Kristjan TOOM	0-10	0:00
4	August Martin NURM	1	5	Trävis KUUSE	10-0	0:00
5	Kuldar VOROBJOV	2	3	Casper KATTEL	10-0	0:00
6	August Martin NURM	1	4	Kristjan TOOM	0-1	0:00
7	Casper KATTEL	3	5	Trävis KUUSE	0-1	0:00
8	Kuldar VOROBJOV	2	4	Kristjan TOOM	0-10	0:00
9	August Martin NURM	1	3	Casper KATTEL	10-0	0:00
10	Kuldar VOROBJOV	2	5	Trävis KUUSE	0-10	0:00

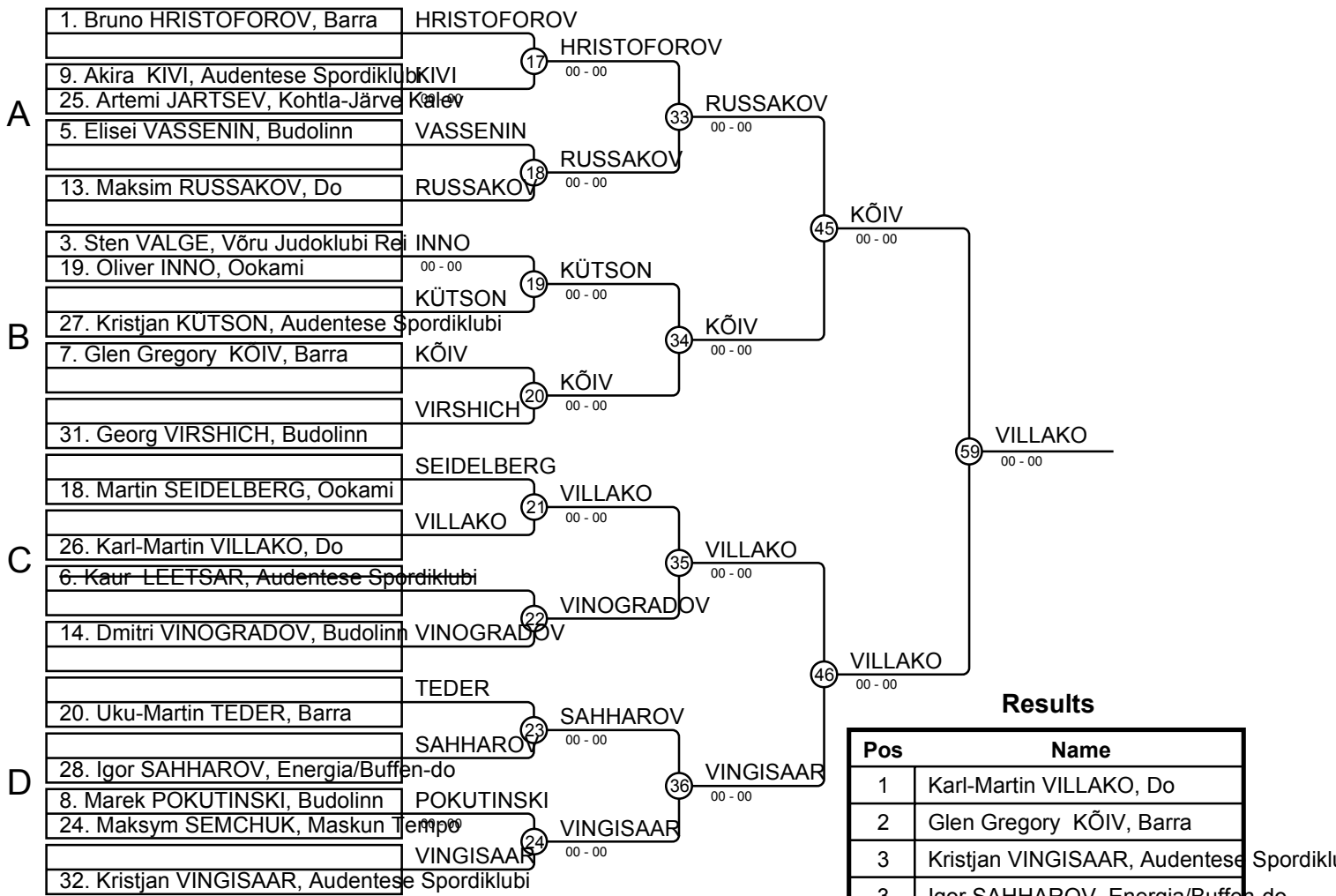
Results

Pos	Name
1	Kristjan TOOM, Barra
2	August Martin NURM, Do
3	Trävis KUUSE , Barra
4	Kuldar VOROBJOV, SK Taifu / Viljandi SK
5	Casper KATTEL, Aitado

International Spring Tournament 06.04.2019

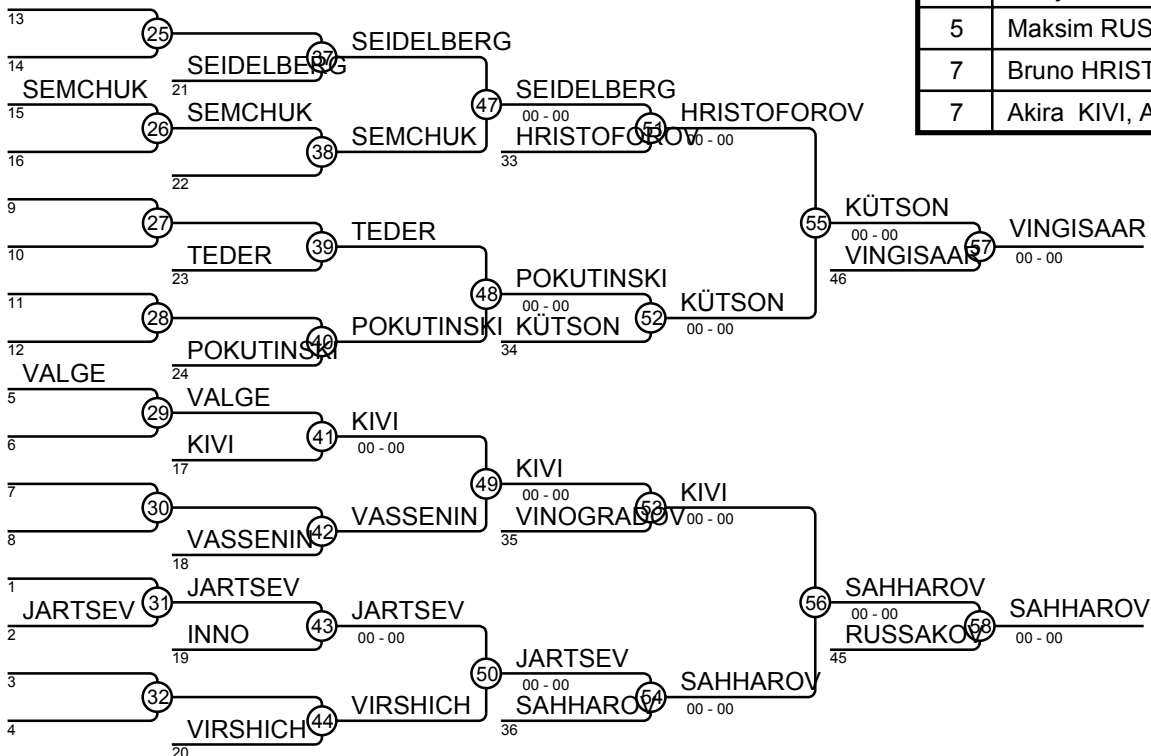
-38 U12P

Competitors: 19



Results

Pos	Name
1	Karl-Martin VILLAKO, Do
2	Glen Gregory KÕIV, Barra
3	Kristjan VINGISAAR, Audentese Spordiklubi
3	Igor SAHHAROV, Energia/Buffer-do
5	Kristjan KÜTSON, Audentese Spordiklubi
5	Maksim RUSSAKOV, Do
7	Bruno HRISTOFOROV, Barra
7	Akira KIVI, Audentese Spordiklubi



International Spring Tournament 06.04.2019

-38 U14P

Competitors: 4

Competitors

#	Name	Grade	Club	1	2	3	4	Wins	Pts	Pos
1	Rihard Joosep KAHAR	?	Audentese Spordiklubi		10	10	10	3	30	1
2	Ralf ADAMSON	?	Ookami			10		1	10	3
3	Siim MATSON	?	Tartu Zen					0	0	4
4	Karl-Martin VILLAKO	?	Do		10	10		2	20	2

Matches

Match	White			Blue	Result	Time
1	Rihard Joosep KAHAR	1	2	Ralf ADAMSON	10-0	0:00
2	Siim MATSON	3	4	Karl-Martin VILLAKO	0-10	0:00
3	Rihard Joosep KAHAR	1	3	Siim MATSON	10-0	0:00
4	Ralf ADAMSON	2	4	Karl-Martin VILLAKO	0-10	0:00
5	Rihard Joosep KAHAR	1	4	Karl-Martin VILLAKO	10-0	0:00
6	Ralf ADAMSON	2	3	Siim MATSON	10-0	0:00

Results

Pos	Name
1	Rihard Joosep KAHAR , Audentese Spordiklubi
2	Karl-Martin VILLAKO, Do
3	Ralf ADAMSON, Ookami
4	Siim MATSON, Tartu Zen

International Spring Tournament 06.04.2019

-40 U12T

Competitors: 4

Competitors

#	Name	Grade	Club	1	2	3	4	Wins	Pts	Pos
1	Diana Johanna VANAMB	?	Do		10	10	10	3	30	1
2	Rahe KÜNNAP	?	Do				10	1	10	3
3	GHINA ALMALKI	?	Saudi Arabian Judo Federation	10			10	2	20	2
4	Keitlin VALGE	?	Võru Judoklubi Rei					0	0	4

Matches

Match	White	Blue	Result	Time
1	Diana Johanna VANAMB	1 2 Rahe KÜNNAP	10-0	0:00
2	GHINA ALMALKI	3 4 Keitlin VALGE	10-0	0:00
3	Diana Johanna VANAMB	1 3 GHINA ALMALKI	10-0	0:00
4	Rahe KÜNNAP	2 4 Keitlin VALGE	10-0	0:00
5	Diana Johanna VANAMB	1 4 Keitlin VALGE	10-0	0:00
6	Rahe KÜNNAP	2 3 GHINA ALMALKI	0-10	0:00

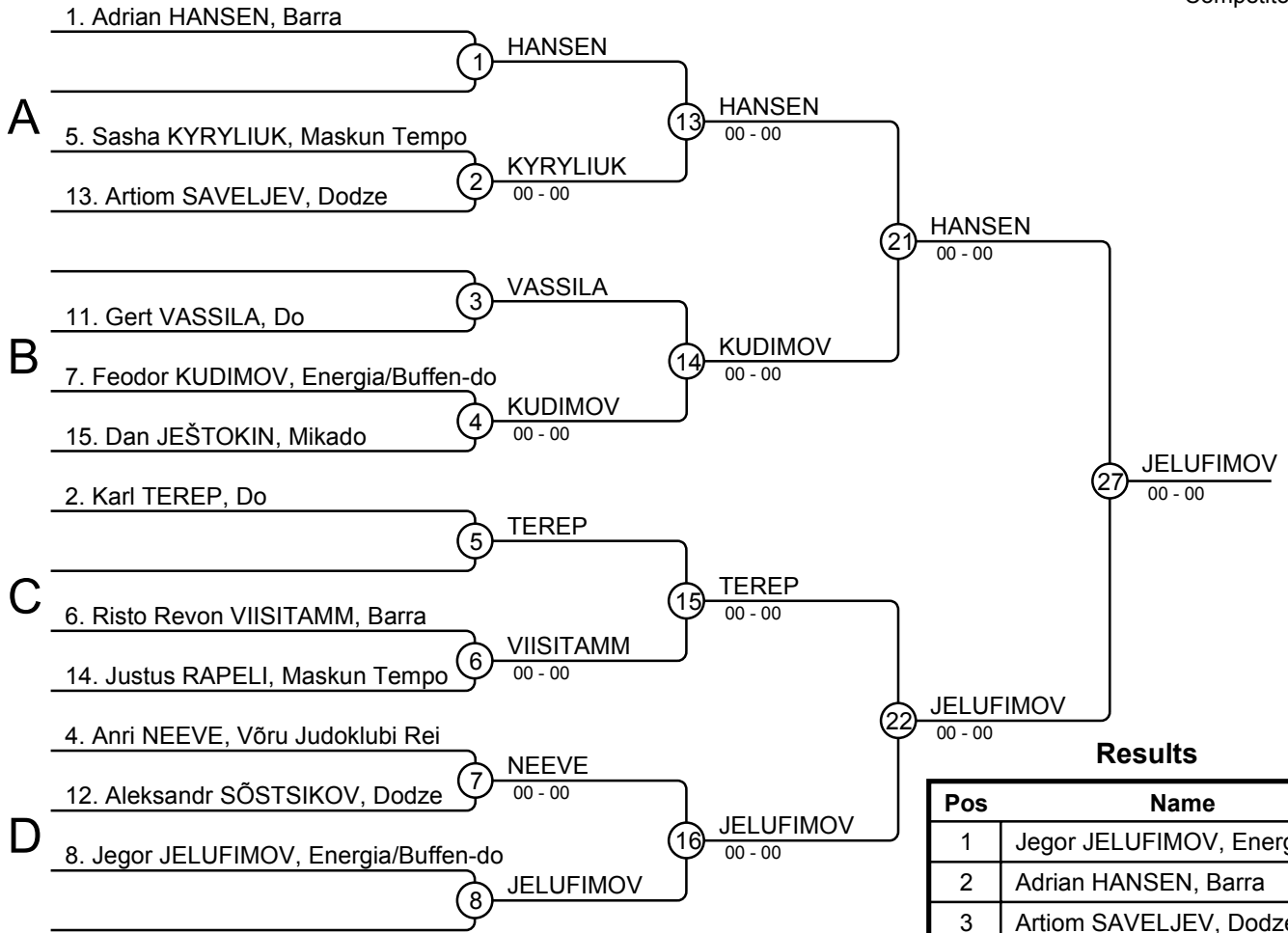
Results

Pos	Name
1	Diana Johanna VANAMB, Do
2	GHINA ALMALKI, Saudi Arabian Judo Federation
3	Rahe KÜNNAP, Do
4	Keitlin VALGE, Võru Judoklubi Rei

International Spring Tournament 06.04.2019

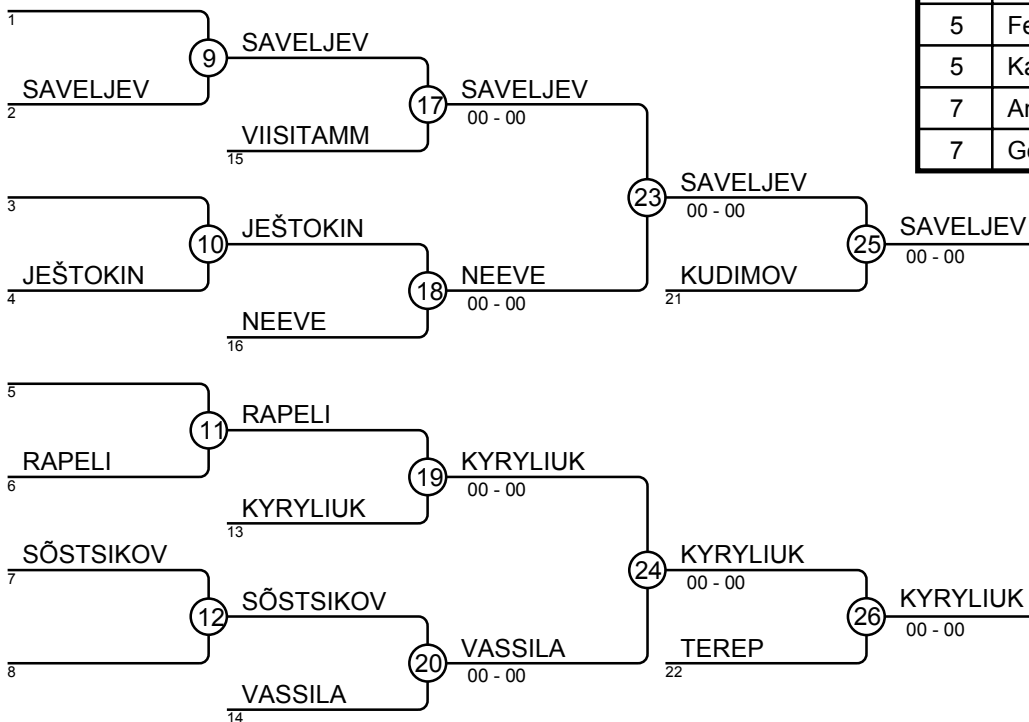
-42 U12P

Competitors: 12



Results

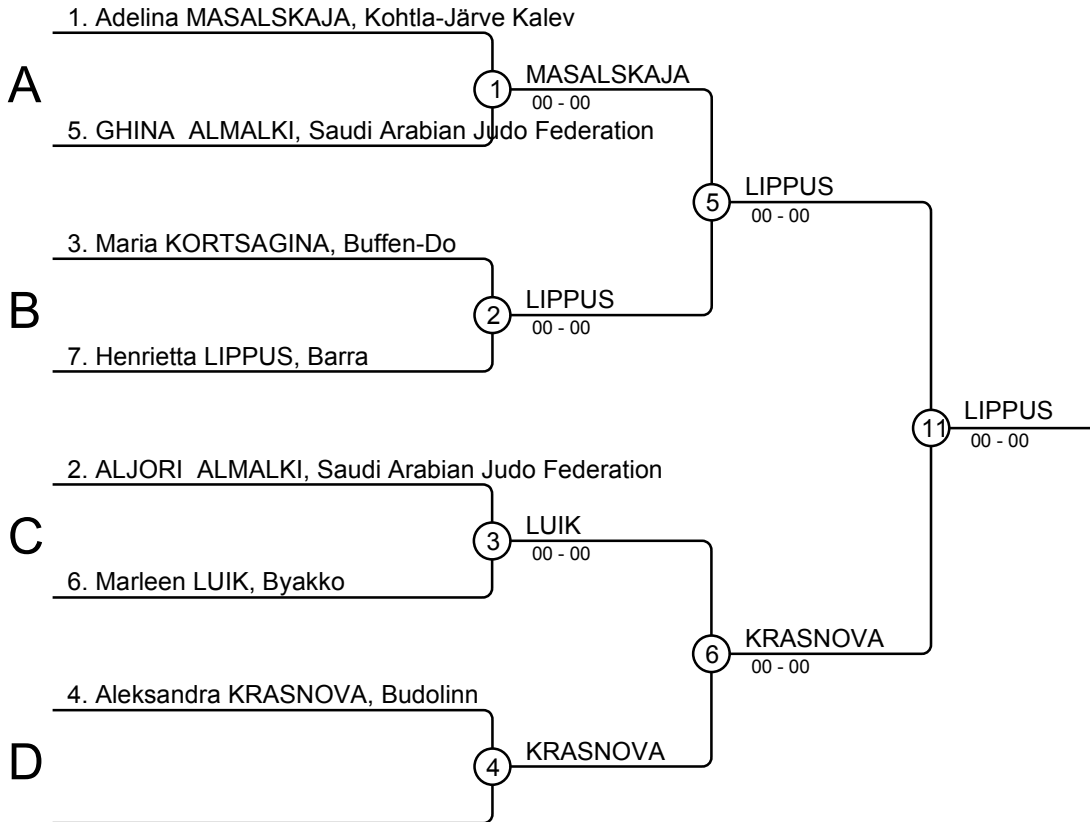
Pos	Name
1	Jegor JELUFIMOV, Energia/Buffer-do
2	Adrian HANSEN, Barra
3	Artiom SAVELJEV, Dodze
3	Sasha KYRYLIUK, Maskun Tempo
5	Feodor KUDIMOV, Energia/Buffer-do
5	Karl TEREP, Do
7	Anri NEEVE, Võru Judoklubi Re
7	Gert VASSILA, Do



International Spring Tournament 06.04.2019

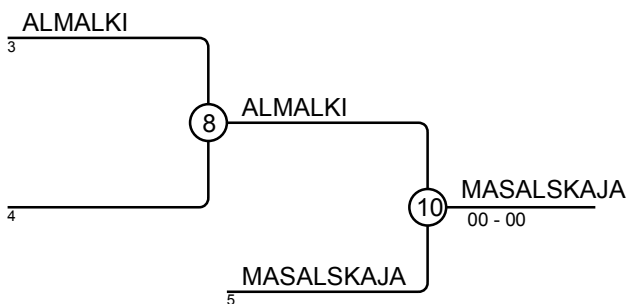
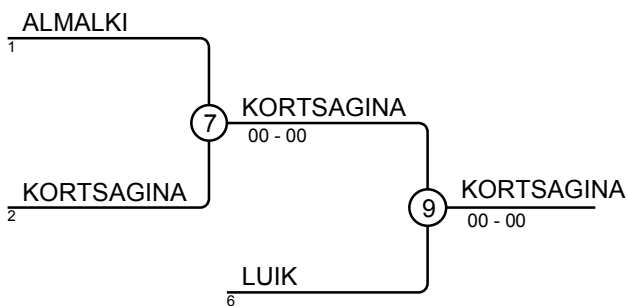
-45 U14T

Competitors: 7



Results

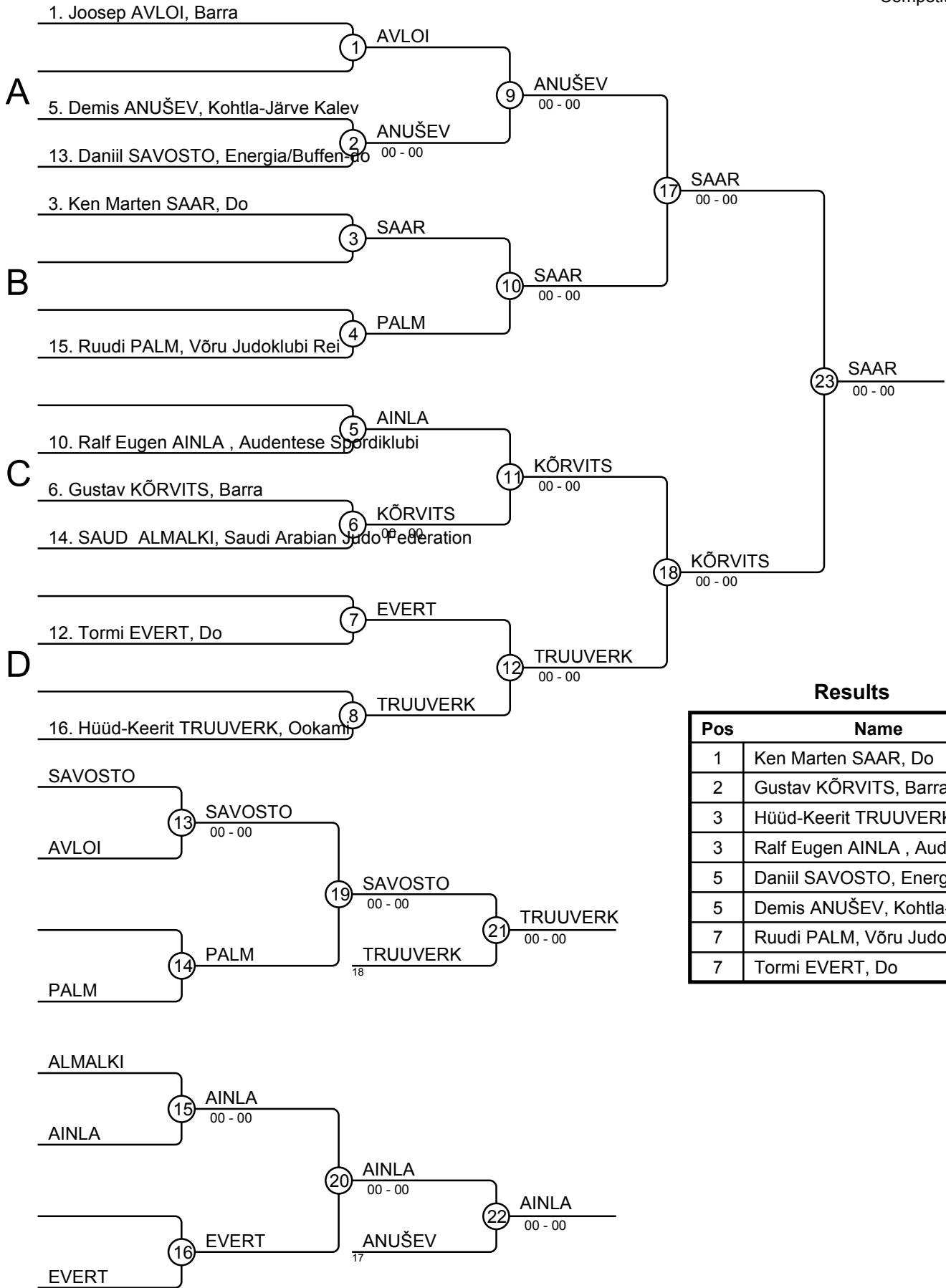
Pos	Name
1	Henrietta LIPPUS, Barra
2	Aleksandra KRASNOVA, Budolinn
3	Maria KORTSAGINA, Buffen-Do
3	Adelina MASALSKAJA, Kohtla-Järve Kalev
5	Marleen LUIK, Byakko
5	ALJORI ALMALKI, Saudi Arabian Judo Federation
7	GHINA ALMALKI, Saudi Arabian Judo Federation
7	



International Spring Tournament 06.04.2019

-46 U12P

Competitors: 10



Results

Pos	Name
1	Ken Marten SAAR, Do
2	Gustav KÕRVITS, Barra
3	Hүүд-Keerit TRUUVERK, Ookami
3	Ralf Eugen AINLA, Audentese Spordiklubi
5	Daniil SAVOSTO, Energia/Buffer-do
5	Demis ANUŠEV, Kohtla-Järve Kalev
7	Ruudi PALM, Võru Judoklubi Rei
7	Tormi EVERT, Do

International Spring Tournament 06.04.2019

-50 U12P

Competitors: 5

Competitors

#	Name	Grade	Club	1	2	3	4	5	Wins	Pts	Pos
1	Artur KARJUS	?	Barra			10			1	10	4
2	Siim KOHVER	?	Do	10		10	10	1	4	31	1
3	Samuel VOUTILAINEN	?	Maskun Tempo						0	0	5
4	Ken-Kermo KOORT	?	Aitado	10		10		10	3	30	2
5	Kenert MALININ	?	Tartu Zen	10		10			2	20	3

Matches

Match	White		Blue		Result	Time
1	Ken-Kermo KOORT	4	5	Kenert MALININ	10-0	0:00
2	Artur KARJUS	1	2	Siim KOHVER	0-10	0:00
3	Samuel VOUTILAINEN	3	4	Ken-Kermo KOORT	0-10	0:00
4	Artur KARJUS	1	5	Kenert MALININ	0-10	0:00
5	Siim KOHVER	2	3	Samuel VOUTILAINEN	10-0	0:00
6	Artur KARJUS	1	4	Ken-Kermo KOORT	0-10	0:00
7	Samuel VOUTILAINEN	3	5	Kenert MALININ	0-10	0:00
8	Siim KOHVER	2	4	Ken-Kermo KOORT	10-0	0:00
9	Artur KARJUS	1	3	Samuel VOUTILAINEN	10-0	0:00
10	Siim KOHVER	2	5	Kenert MALININ	1-0	0:00

Results

Pos	Name
1	Siim KOHVER, Do
2	Ken-Kermo KOORT, Aitado
3	Kenert MALININ, Tartu Zen
4	Artur KARJUS, Barra
5	Samuel VOUTILAINEN, Maskun Tempo

International Spring Tournament 06.04.2019 -50 U14P

Competitors: 4

Competitors

#	Name	Grade	Club	1	2	3	4	Wins	Pts	Pos
1	Joonas PUURAIID	?	Barra			10	10	2	20	2
2	Hendrik PUURAIID	?	Barra	10		10	10	3	30	1
3	Andreas MÜLLER	?	Audentese Spordiklubi					0	0	4
4	Markus KLAIS	?	Mikata			10		1	10	3

Matches

Match	White			Blue	Result	Time
1	Joonas PUURAIID	1	2	Hendrik PUURAIID	0-10	0:00
2	Andreas MÜLLER	3	4	Markus KLAIS	0-10	0:00
3	Joonas PUURAIID	1	3	Andreas MÜLLER	10-0	0:00
4	Hendrik PUURAIID	2	4	Markus KLAIS	10-0	0:00
5	Joonas PUURAIID	1	4	Markus KLAIS	10-0	0:00
6	Hendrik PUURAIID	2	3	Andreas MÜLLER	10-0	0:00

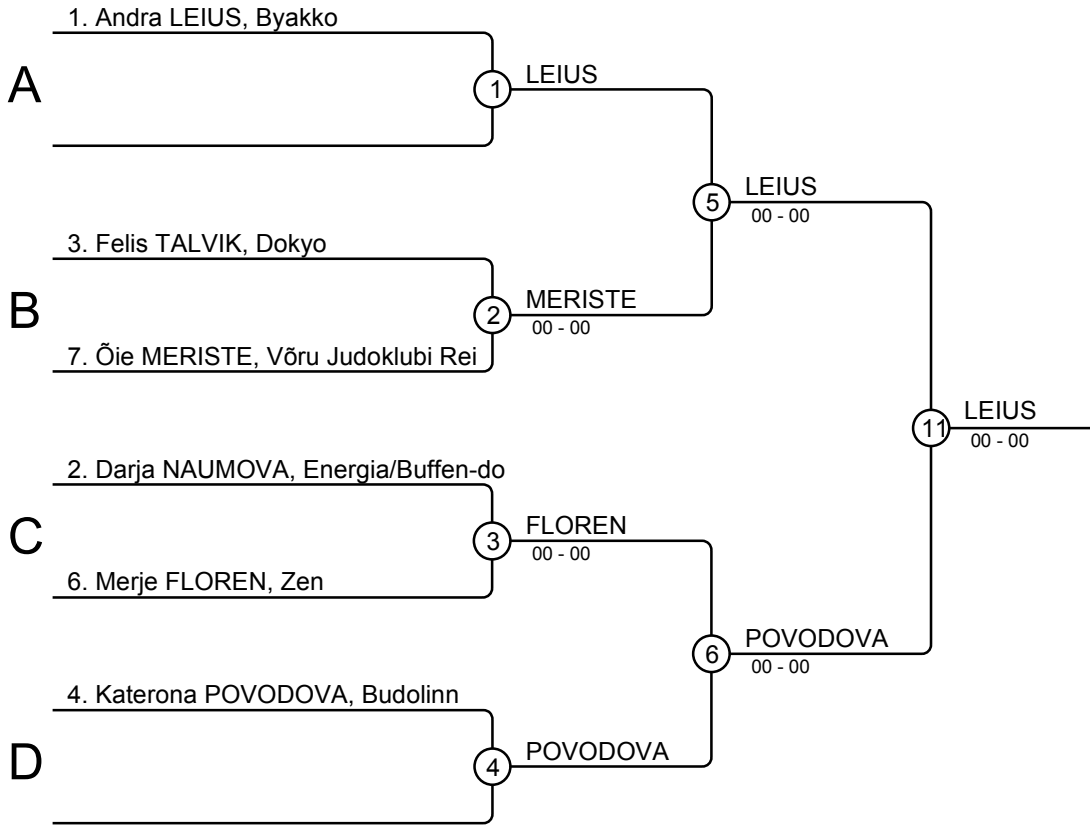
Results

Pos	Name
1	Hendrik PUURAIID, Barra
2	Joonas PUURAIID, Barra
3	Markus KLAIS, Mikata
4	Andreas MÜLLER, Audentese Spordiklubi

International Spring Tournament 06.04.2019

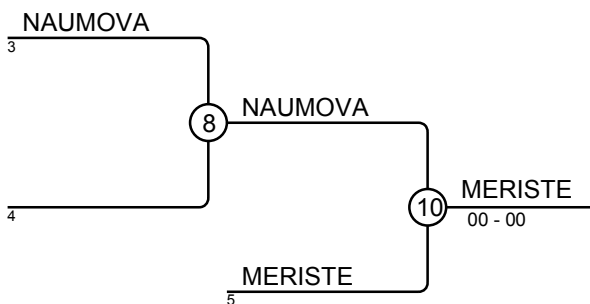
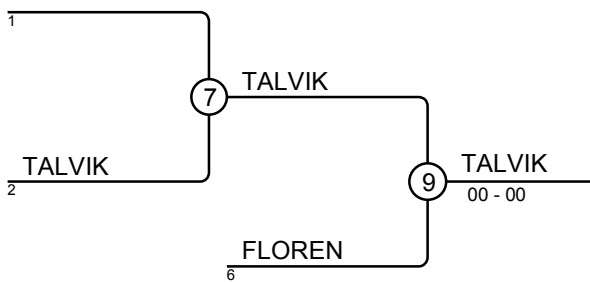
-52 U14T

Competitors: 6



Results

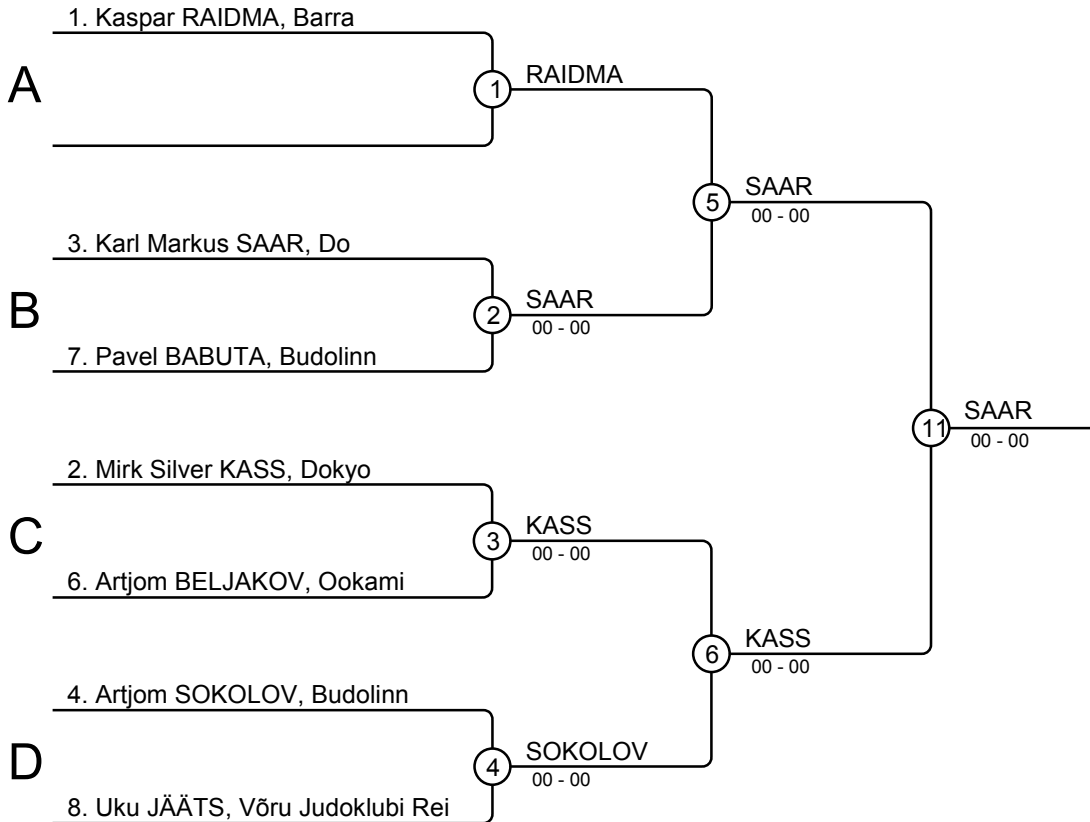
Pos	Name
1	Andra LEIUS, Byakko
2	Katerona POVODOVA, Budolinn
3	Felis TALVIK, Dokyo
3	Ōie MERISTE, Võru Judoklubi Rei
5	Merje FLOREN, Zen
5	Darja NAUMOVA, Energia/Buffer-do
7	
7	



International Spring Tournament 06.04.2019

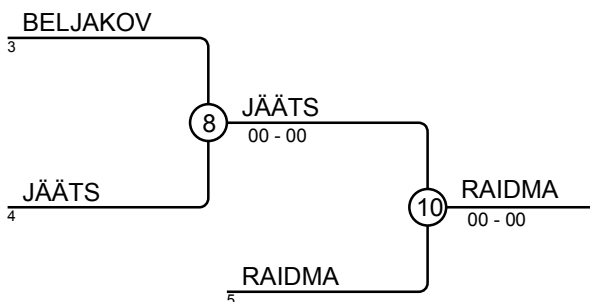
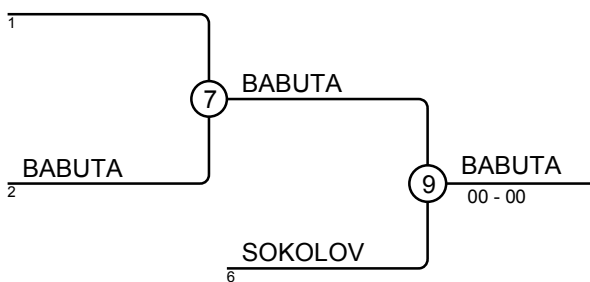
-55 U14P

Competitors: 7



Results

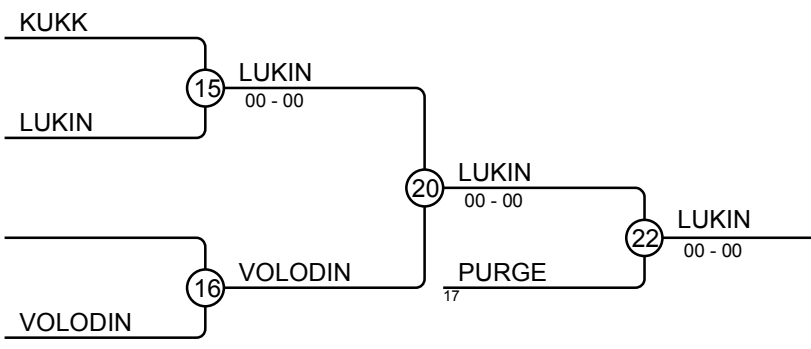
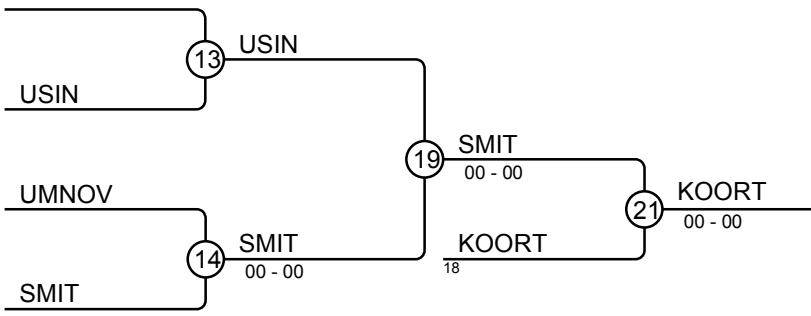
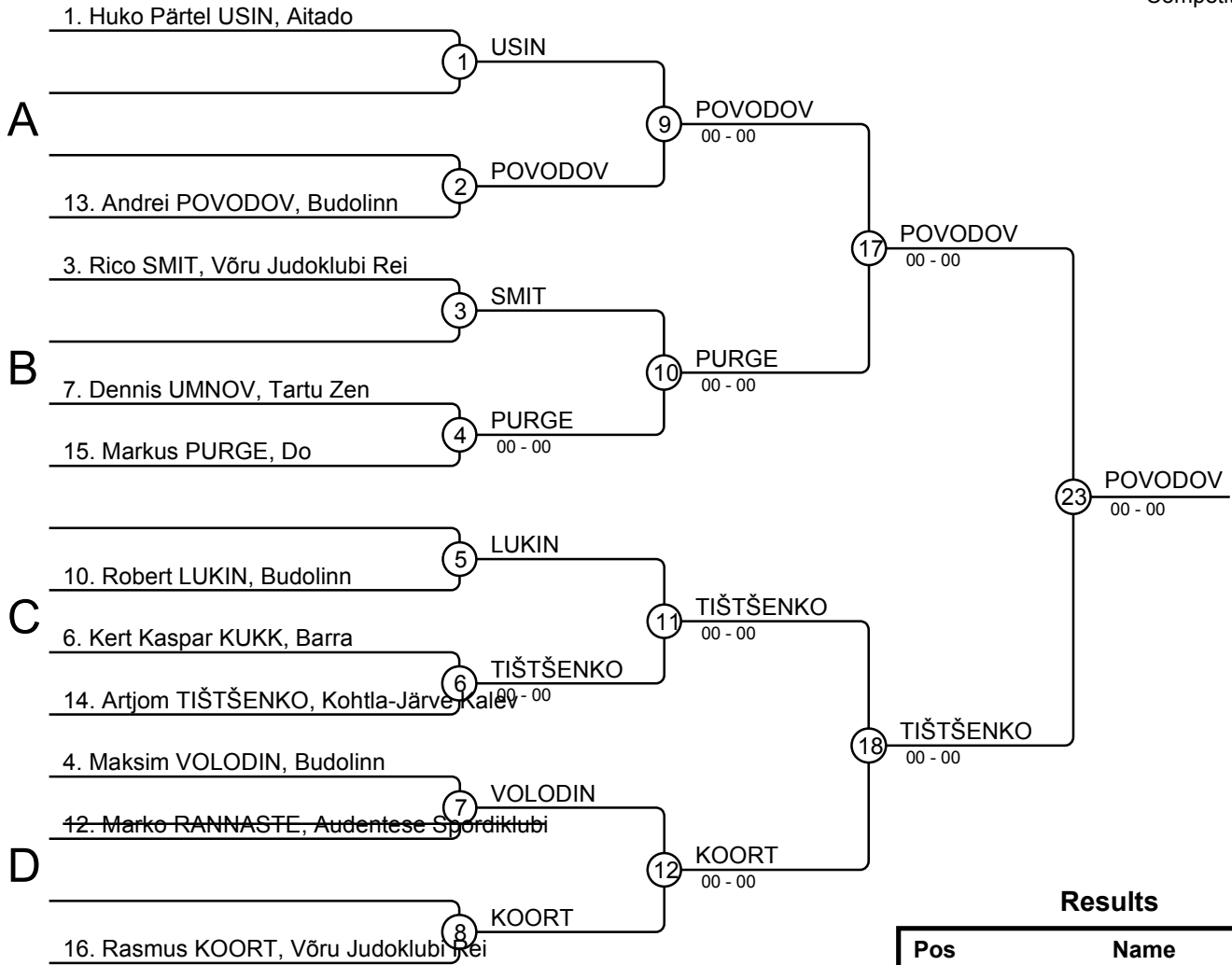
Pos	Name
1	Karl Markus SAAR, Do
2	Mirk Silver KASS, Dokyo
3	Pavel BABUTA, Budolinn
3	Kaspar RAIDMA, Barra
5	Artjom SOKOLOV, Budolinn
5	Uku JÄÄTS, Võru Judoklubi Rei
7	
7	Artjom BELJAKOV, Ookami



International Spring Tournament 06.04.2019

-62 U14P

Competitors: 11



Results

Pos	Name
1	Andrei POVODOV, Budolinn
2	Artjom TIŠTŠENKO, Kohtla-Järve Kalev
3	Rasmus KOORT, Võru Judoklubi Rei
3	Robert LUKIN, Budolinn
5	Rico SMIT, Võru Judoklubi Rei
5	Markus PURGE, Do
7	Huko Pärtel USIN, Aitado
7	Maksim VOLODIN, Budolinn

International Spring Tournament 06.04.2019 -70 U14P

Competitors

Competitors: 5

#	Name	Grade	Club	1	2	3	4	5	Wins	Pts	Pos
1	Karl Einar LEHISTE	?	Byakko		10				1	10	4
2	Raimo KALLAS	?	Tartu Zen						0	0	5
3	Jakob ANSLAN	?	Audentese Spordiklubi	10	10			10	3	30	2
4	Tõnis DOMBERG	?	Barra	10	10	10		10	4	40	1
5	Taavi VAHTER	?	Barra	10	10				2	20	3

Matches

Match	White		Blue		Result	Time
1	Tõnis DOMBERG	4	5	Taavi VAHTER	10-0	0:00
2	Karl Einar LEHISTE	1	2	Raimo KALLAS	10-0	0:00
3	Jakob ANSLAN	3	4	Tõnis DOMBERG	0-10	0:00
4	Karl Einar LEHISTE	1	5	Taavi VAHTER	0-10	0:00
5	Raimo KALLAS	2	3	Jakob ANSLAN	0-10	0:00
6	Karl Einar LEHISTE	1	4	Tõnis DOMBERG	0-10	0:00
7	Jakob ANSLAN	3	5	Taavi VAHTER	10-0	0:00
8	Raimo KALLAS	2	4	Tõnis DOMBERG	0-10	0:00
9	Karl Einar LEHISTE	1	3	Jakob ANSLAN	0-10	0:00
10	Raimo KALLAS	2	5	Taavi VAHTER	0-10	0:00

Results

Pos	Name
1	Tõnis DOMBERG, Barra
2	Jakob ANSLAN, Audentese Spordiklubi
3	Taavi VAHTER, Barra
4	Karl Einar LEHISTE, Byakko
5	Raimo KALLAS, Tartu Zen