

Bushinkan Cup 2019 20.04.2019 Tallinn F -20_2012-2013

Competitors: 3

Competitors

#	Name	Grade	Club	1	2	3	Wins	Pts	Pos
1	GRIŠIN Demid (19,00)	9.kyu	Bushinkan		10		1	10	2
2	EGOROV Nikita (19,00)	9.kyu	Bushinkan				0	0	3
3	GUSSAROV Adrian (20,00)	9.kyu	Audentes	10	10		2	20	1

Matches

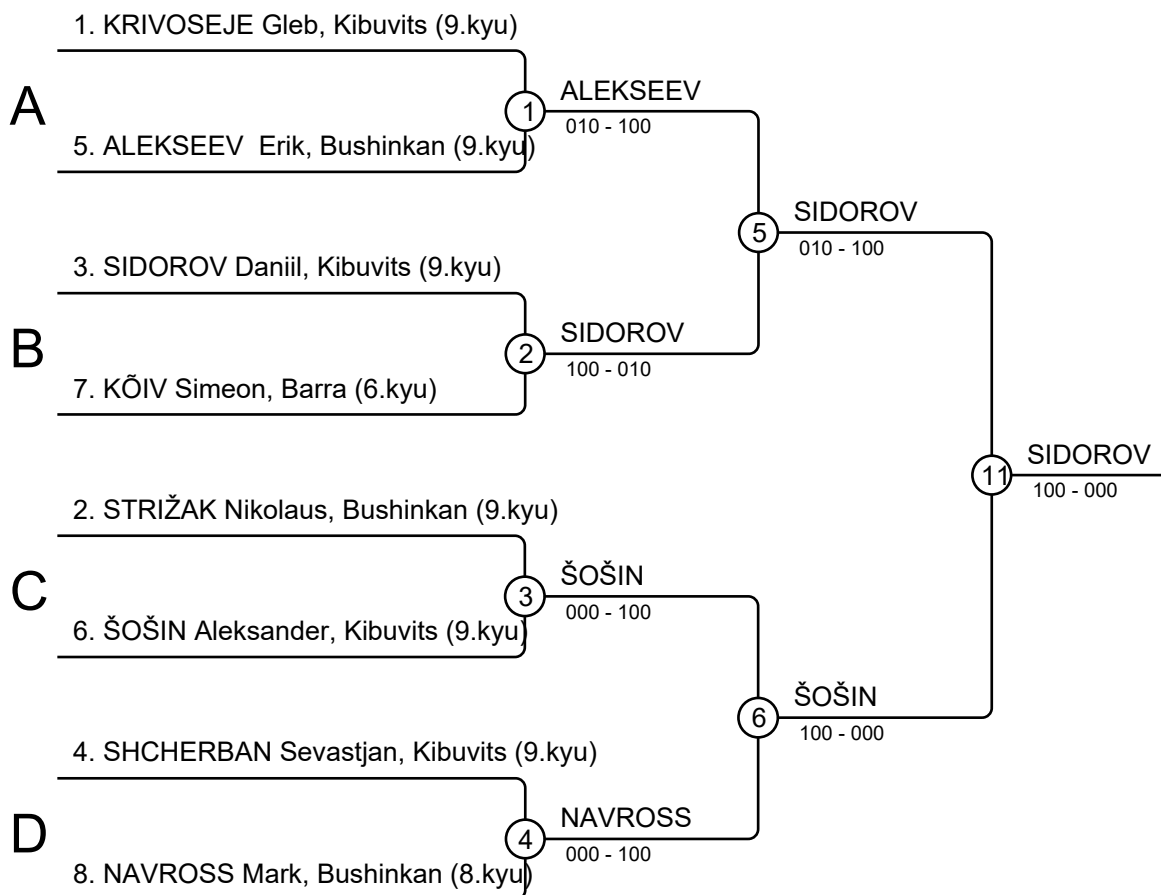
Match	White			Blue	Result	Time
1	GRIŠIN Demid	1	2	EGOROV Nikita	100-010	98:44
2	GRIŠIN Demid	1	3	GUSSAROV Adrian	000-100	0:08
3	EGOROV Nikita	2	3	GUSSAROV Adrian	000-100	0:20

Results

Pos	Name
1	GUSSAROV Adrian, Audentes
2	GRIŠIN Demid, Bushinkan
3	EGOROV Nikita, Bushinkan

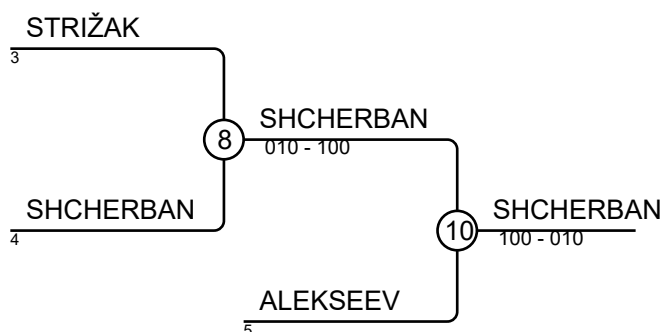
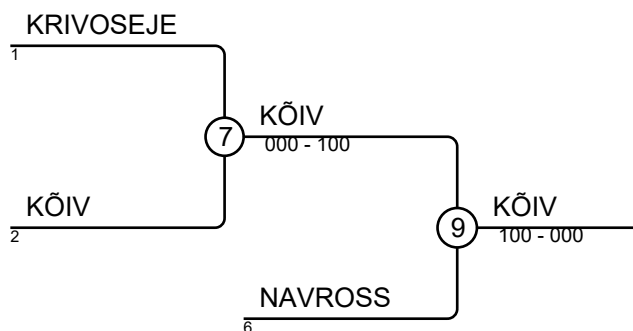
Bushinkan Cup 2019 20.04.2019 Tallinn F -23_2012-2013

Competitors: 8



Results

Pos	Name
1	SIDOROV Daniil, Kibuvits
2	ŠOŠIN Aleksander, Kibuvits
3	KÕIV Simeon, Barra
3	SHCHERBAN Sevastjan, Kibuvits
5	NAVROSS Mark, Bushinkan
5	ALEKSEEV Erik, Bushinkan
7	KRIVOSEJE Gleb, Kibuvits
7	STRIŽAK Nikolaus, Bushinkan



Bushinkan Cup 2019 20.04.2019 Tallinn F -26_2012-2013

Competitors: 5

Competitors

#	Name	Grade	Club	1	2	3	4	5	Wins	Pts	Pos
1	ZAITSEV Jaromir (25,00)	9.kyu	Kibuvits						0	0	5
2	SHCHERBAN Aaron (26,00)	9.kyu	Kibuvits	7		7	7	10	4	31	1
3	VIHAREVA Sabina (26,00)	9.kyu	Budolinn	7					1	7	4
4	TAMBAUR Karl (23,80)	6.kyu	Barra	7		7		10	3	24	2
5	KLEIN Andre Emil (24,00)	6.kyu	Barra	7		7			2	14	3

Matches

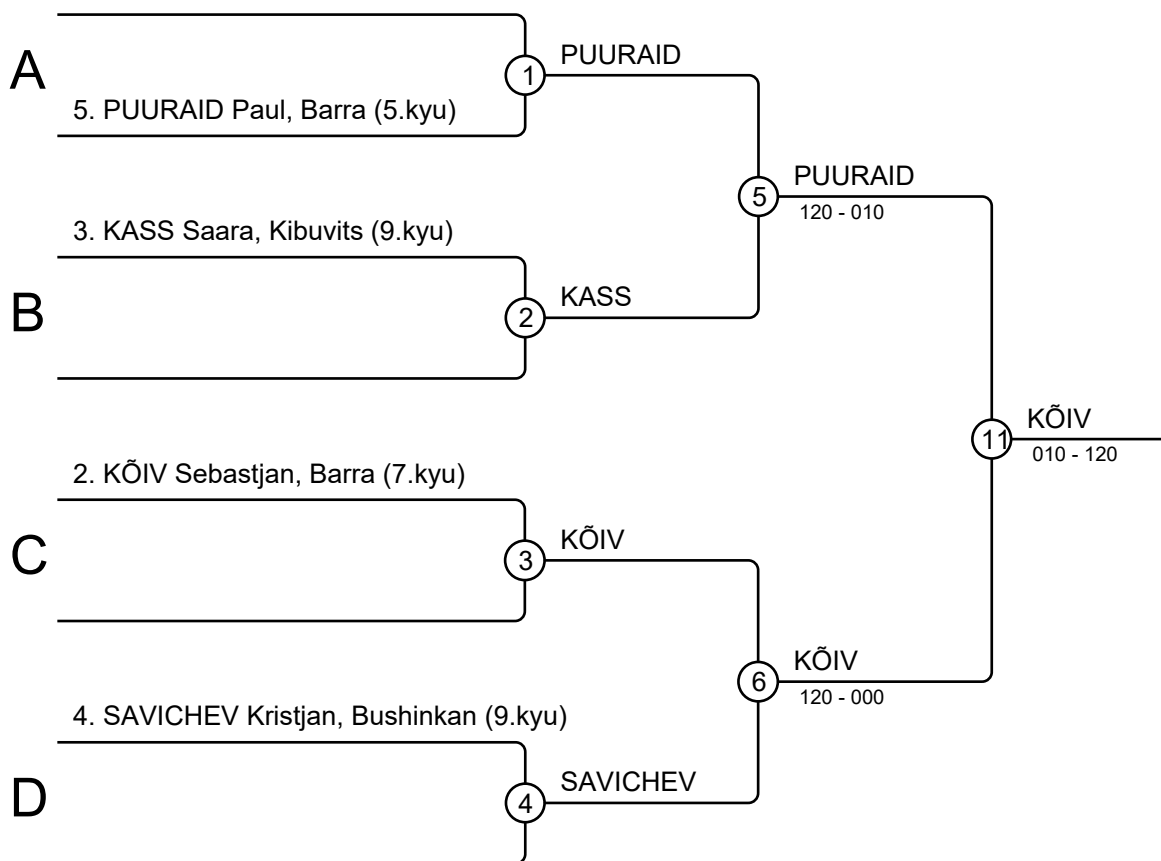
Match	White	Blue	Result	Time
1	TAMBAUR Karl	4 5 KLEIN Andre Emil	100-000	1:37
2	ZAITSEV Jaromir	1 2 SHCHERBAN Aaron	000-020	0:55
3	VIHAREVA Sabina	3 4 TAMBAUR Karl	000-020	0:33
4	ZAITSEV Jaromir	1 5 KLEIN Andre Emil	000-020	0:19
5	SHCHERBAN Aaron	2 3 VIHAREVA Sabina	020-000	0:20
6	ZAITSEV Jaromir	1 4 TAMBAUR Karl	000-020	0:11
7	VIHAREVA Sabina	3 5 KLEIN Andre Emil	000-020	0:21
8	SHCHERBAN Aaron	2 4 TAMBAUR Karl	020-010	0:37
9	ZAITSEV Jaromir	1 3 VIHAREVA Sabina	000-020	0:11
10	SHCHERBAN Aaron	2 5 KLEIN Andre Emil	120-000	0:26

Results

Pos	Name
1	SHCHERBAN Aaron, Kibuvits
2	TAMBAUR Karl, Barra
3	KLEIN Andre Emil, Barra
4	VIHAREVA Sabina, Budolinn
5	ZAITSEV Jaromir, Kibuvits

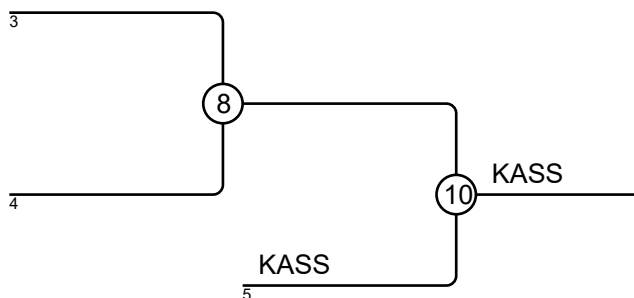
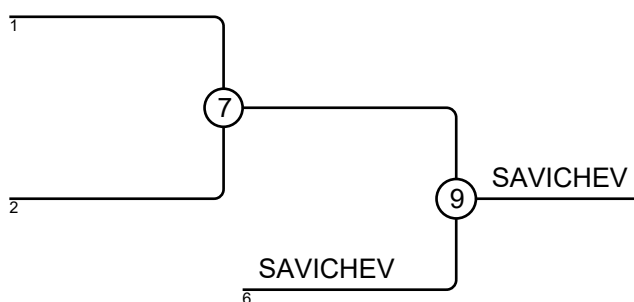
Bushinkan Cup 2019 20.04.2019 Tallinn F -29_2012-2013

Competitors: 4



Results

Pos	Name
1	KÕIV Sebastjan, Barra
2	PUURAIID Paul, Barra
3	SAVICHEV Kristjan, Bushinkan
3	KASS Saara, Kibuvits
5	
5	
7	
7	



Bushinkan Cup 2019 20.04.2019 Tallinn E -23_2010-2011

Competitors: 3

Competitors

#	Name	Grade	Club	1	2	3	Wins	Pts	Pos
1	KAASIK Markus (21,00)	?	Bushinkan				0	0	3
2	ORLOV Zahar (23,00)	?	Bushinkan	10			1	10	2
3	SHELIKEVICH Artjom (22,40)	6.kyu	Budolinn	10	10		2	20	1

Matches

Match	White			Blue	Result	Time
1	KAASIK Markus	1	2	ORLOV Zahar	000-100	1:08
2	KAASIK Markus	1	3	SHELIKEVICH Artjom	000-100	0:21
3	ORLOV Zahar	2	3	SHELIKEVICH Artjom	000-100	0:33

Results

Pos	Name
1	SHELIKEVICH Artjom, Budolinn
2	ORLOV Zahar, Bushinkan
3	KAASIK Markus, Bushinkan

Bushinkan Cup 2019 20.04.2019 Tallinn E -26_2010-2011

Competitors: 4

Competitors

#	Name	Grade	Club	1	2	3	4	Wins	Pts	Pos
1	SHCHERBAN Aaron (26,00)	9.kyu	Kibuvits		10	10	10	3	30	1
2	JERMAKOV Richard (24,00)	6.kyu	Kibuvits					0	0	4
3	KOŠKIN Demid (25,20)	5.kyu	Budolinn		10		10	2	20	2
4	TRISBERG Ravo (24,60)	5.kyu	Barra		10			1	10	3

Matches

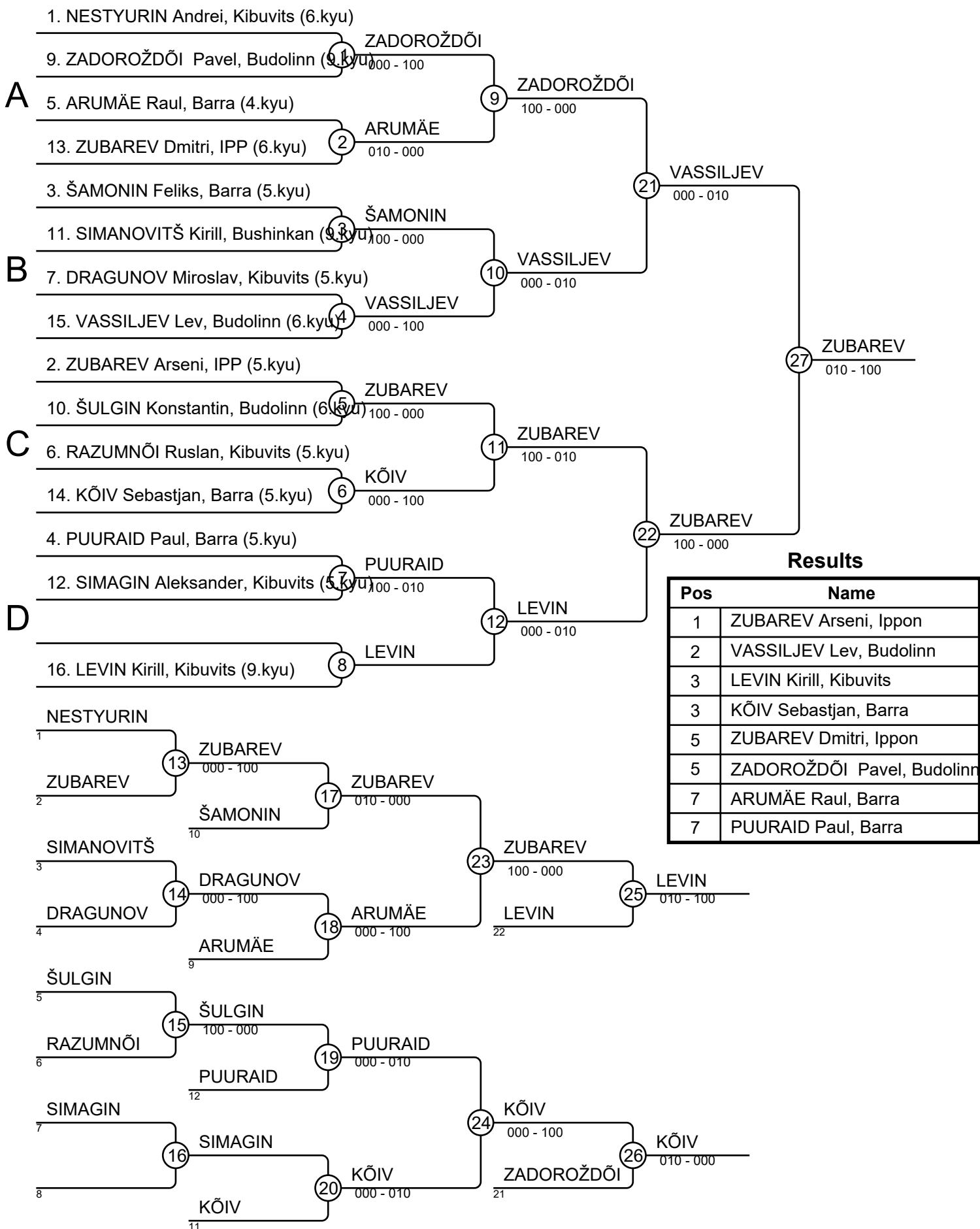
Match	White			Blue	Result	Time
1	SHCHERBAN Aaron	1	2	JERMAKOV Richard	100-000	0:22
2	KOŠKIN Demid	3	4	TRISBERG Ravo	100-010	2:00
3	SHCHERBAN Aaron	1	3	KOŠKIN Demid	100-000	0:34
4	JERMAKOV Richard	2	4	TRISBERG Ravo	000-100	0:41
5	SHCHERBAN Aaron	1	4	TRISBERG Ravo	100-000	0:20
6	JERMAKOV Richard	2	3	KOŠKIN Demid	000-100	0:17

Results

Pos	Name
1	SHCHERBAN Aaron, Kibuvits
2	KOŠKIN Demid, Budolinn
3	TRISBERG Ravo, Barra
4	JERMAKOV Richard, Kibuvits

Bushinkan Cup 2019 20.04.2019 Tallinn E -29_2010-2011

Competitors: 15



Bushinkan Cup 2019 20.04.2019 Tallinn E -33_2010-2011

Competitors: 6

Competitors A

#	Name	Grade	Club	1	2	3	Wins	Pts	Pos
1	SIBANOV Daniil (30,00)	6.kyu	Kibuvits				0	0	3
2	KONSTANTINOV Roman (31,40)	6.kyu	Budolinn	10		10	2	20	1
3	MUSTONEN Kristjan (30,80)	5.kyu	Audentes	10			1	10	2

Matches A

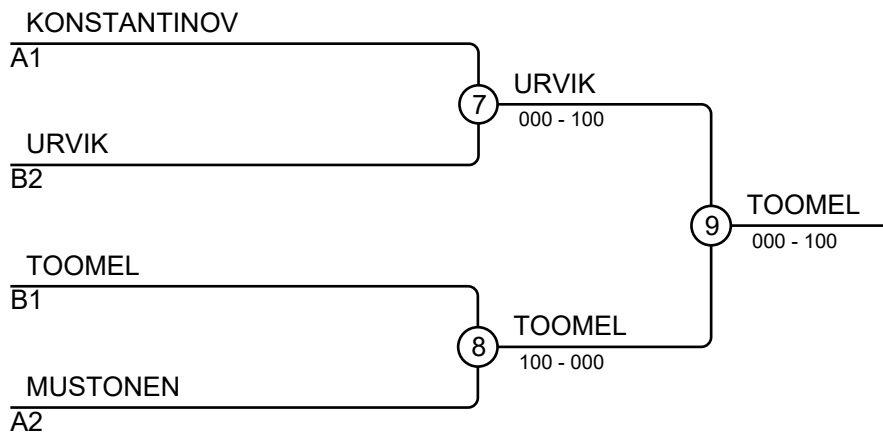
Match	White	Blue	Result	Time
1	SIBANOV Daniil 1 2	KONSTANTINOV Roman	000-100	0:25
3	SIBANOV Daniil 1 3	MUSTONEN Kristjan	000-100	0:47
5	KONSTANTINOV Roman 2 3	MUSTONEN Kristjan	100-000	1:47

Competitors B

#	Name	Grade	Club	4	5	6	Wins	Pts	Pos
4	VIGUL Artur (31,50)	6.kyu	Bushinkan				0	0	3
5	URVIK Armand (30,60)	6.kyu	Kibuvits	10			1	10	2
6	TOOMEL Joosep (33,00)	4.kyu	Barra	10	10		2	20	1

Matches B

Match	White	Blue	Result	Time
2	VIGUL Artur 4 5	URVIK Armand	000-100	1:05
4	VIGUL Artur 4 6	TOOMEL Joosep	000-100	0:45
6	URVIK Armand 5 6	TOOMEL Joosep	000-100	0:26



Results

Pos	Name
1	TOOMEL Joosep, Barra
2	URVIK Armand, Kibuvits
3	KONSTANTINOV Roman, Budolinn
3	MUSTONEN Kristjan, Audentes

Bushinkan Cup 2019 20.04.2019 Tallinn E -37_2010-2011

Competitors: 3

Competitors

#	Name	Grade	Club	1	2	3	Wins	Pts	Pos
1	KUUSE Trävis (37,00)	6.kyu	Barra		10	10	2	20	1
2	KASS Sara (36,00)	4.kyu	Kibuvits				0	0	3
3	KUZMENKO Matvei (35,00)	9.kyu	Bushinkan		7		1	7	2

Matches

Match	White			Blue	Result	Time
1	KUUSE Trävis	1	2	KASS Sara	100-000	0:49
2	KUUSE Trävis	1	3	KUZMENKO Matvei	100-000	1:02
3	KASS Sara	2	3	KUZMENKO Matvei	000-010	2:39

Results

Pos	Name
1	KUUSE Trävis, Barra
2	KUZMENKO Matvei, Bushinkan
3	KASS Sara, Kibuvits

Bushinkan Cup 2019 20.04.2019 Tallinn E -42_2010-2011

Competitors: 4

Competitors

#	Name	Grade	Club	1	2	3	4	Wins	Pts	Pos
1	KONGOT Mikael (38,00)	5.kyu	Kibuvits					0	0	4
2	BATMANOV Vladislav (40,30)	6.kyu	Kibuvits	10		10		2	20	2
3	SULEND Ralf Emil (40,00)	5.kyu	Barra	10				1	10	3
4	QUICK Mikhael Albin (41,80)	5.kyu	Budolinn	10	10	10		3	30	1

Matches

Match	White			Blue	Result	Time
1	KONGOT Mikael	1	2	BATMANOV Vladislav	000-100	0:35
2	SULEND Ralf Emil	3	4	QUICK Mikhael Albin	000-100	0:26
3	KONGOT Mikael	1	3	SULEND Ralf Emil	000-100	1:28
4	BATMANOV Vladislav	2	4	QUICK Mikhael Albin	000-100	0:29
5	KONGOT Mikael	1	4	QUICK Mikhael Albin	000-100	0:28
6	BATMANOV Vladislav	2	3	SULEND Ralf Emil	100-000	1:27

Results

Pos	Name
1	QUICK Mikhael Albin, Budolinn
2	BATMANOV Vladislav, Kibuvits
3	SULEND Ralf Emil, Barra
4	KONGOT Mikael, Kibuvits

Bushinkan Cup 2019 20.04.2019 Tallinn E+42_2010-2011

Competitors: 3

Competitors

#	Name	Grade	Club	1	2	3	Wins	Pts	Pos
1	KOBANOV Aleksey (61,00)	5.kyu	Budolinn		10		1	10	2
2	RODNENKOVA Evelina (49,00)	5.kyu	Kibuvits				0	0	3
3	LODDES Romet (55,00)	5.kyu	Audentes	10	10		2	20	1

Matches

Match	White			Blue	Result	Time
1	KOBANOV Aleksey	1	2	RODNENKOVA Evelina	100-000	1:14
2	KOBANOV Aleksey	1	3	LODDES Romet	000-100	1:05
3	RODNENKOVA Evelina	2	3	LODDES Romet	000-100	0:38

Results

Pos	Name
1	LODDES Romet, Audentes
2	KOBANOV Aleksey, Budolinn
3	RODNENKOVA Evelina, Kibuvits

Bushinkan Cup 2019 20.04.2019 Tallinn D -30_2007-2009

Competitors: 5

Competitors

#	Name	Grade	Club	1	2	3	4	5	Wins	Pts	Pos
1	SEPP Tomi (29,80)	5.kyu	Aitado			10		10	2	20	3
2	KORNIENKO Artjom (30,00)	4.kyu	Kibuvits	10		10	10	10	4	40	1
3	KRASNOV Radion (28,60)	9.kyu	Bushinkan						0	0	5
4	LAAR Hendrik (30,00)	5.kyu	Budolinn	10		10		10	3	30	2
5	RASSADKIN Kliment (27,90)	5.kyu	Budolinn			10			1	10	4

Matches

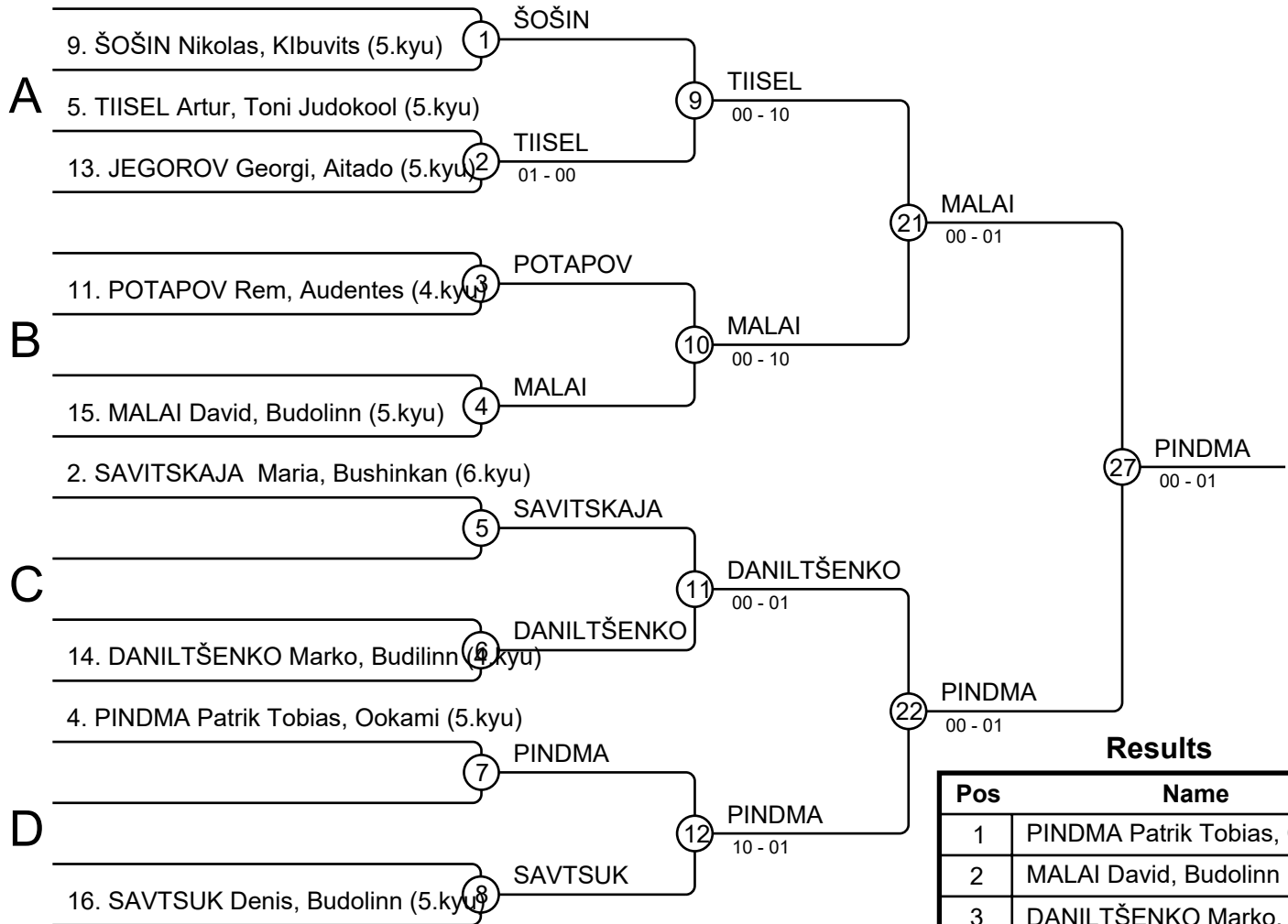
Match	White			Blue	Result	Time
1	LAAR Hendrik	4	5	RASSADKIN Kliment	10-00	1:00
2	SEPP Tomi	1	2	KORNIENKO Artjom	00-10	0:33
3	KRASNOV Radion	3	4	LAAR Hendrik	00-10	0:26
4	SEPP Tomi	1	5	RASSADKIN Kliment	10-01	1:52
5	KORNIENKO Artjom	2	3	KRASNOV Radion	10-00	0:32
6	SEPP Tomi	1	4	LAAR Hendrik	00-10	0:31
7	KRASNOV Radion	3	5	RASSADKIN Kliment	00-10	0:26
8	KORNIENKO Artjom	2	4	LAAR Hendrik	10-00s3	2:00
9	SEPP Tomi	1	3	KRASNOV Radion	10-00	0:19
10	KORNIENKO Artjom	2	5	RASSADKIN Kliment	10-00	1:37

Results

Pos	Name
1	KORNIENKO Artjom, Kibuvits
2	LAAR Hendrik, Budolinn
3	SEPP Tomi, Aitado
4	RASSADKIN Kliment, Budolinn
5	KRASNOV Radion, Bushinkan

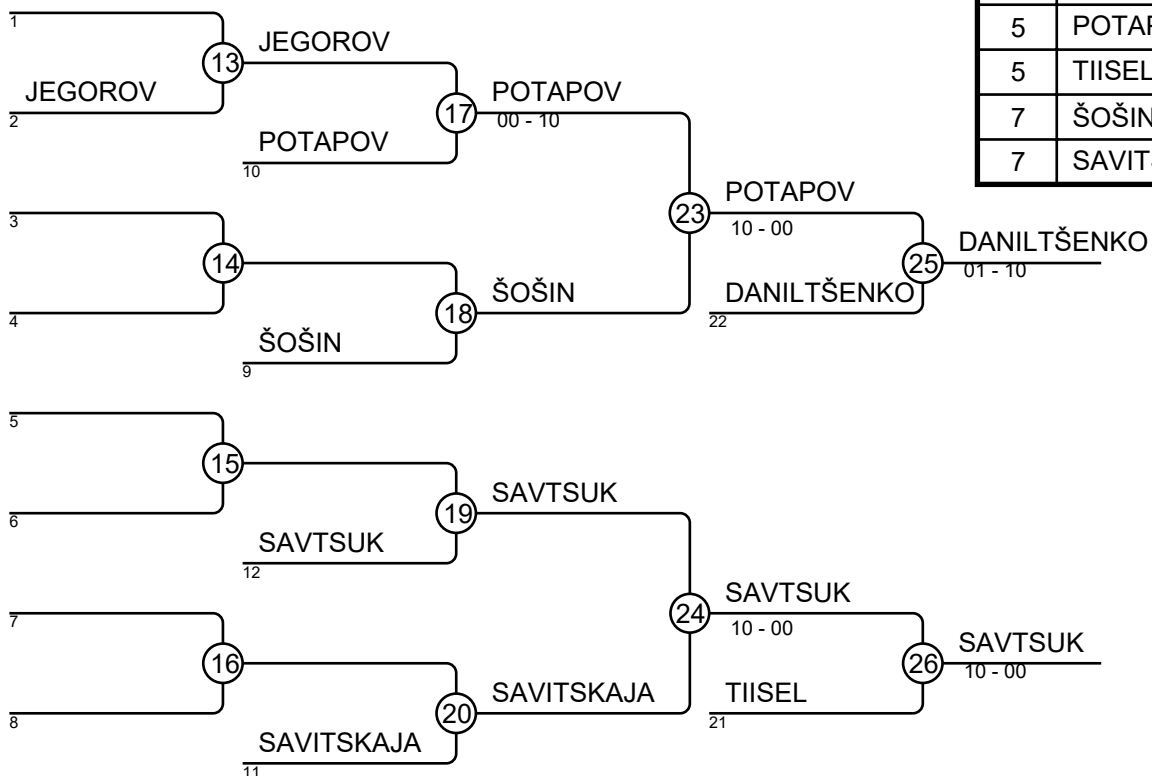
Bushinkan Cup 2019 20.04.2019 Tallinn D -34_2007-2009

Competitors: 9



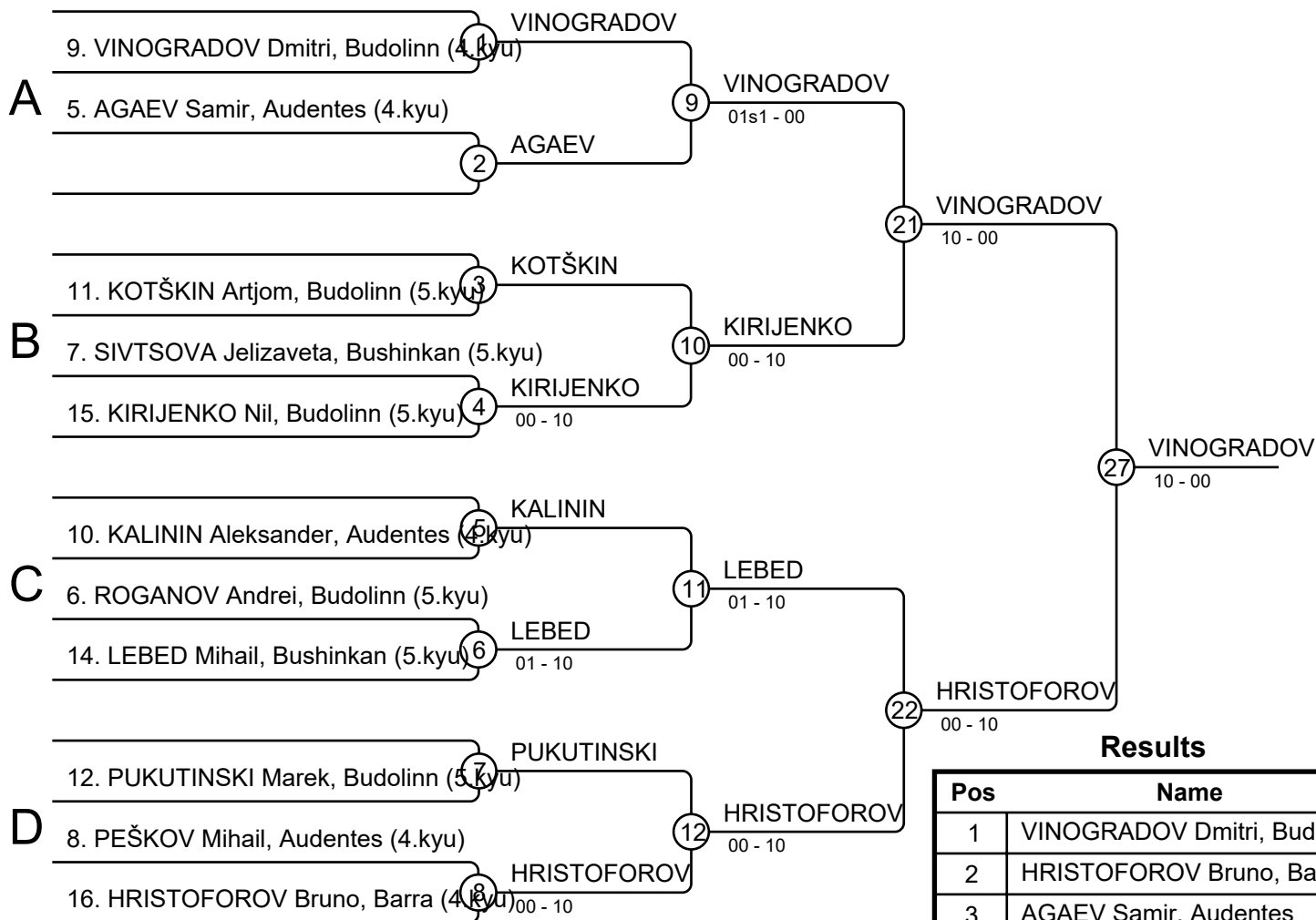
Results

Pos	Name
1	PINDMA Patrik Tobias, Ookami
2	MALAI David, Budolinn
3	DANILTŠENKO Marko, Budilinn
3	SAVTSUK Denis, Budolinn
5	POTAPOV Rem, Audentes
5	TIISEL Artur, Toni Judokool
7	ŠOŠIN Nikolas, Klbuviits
7	SAVITSKAJA Maria, Bushinkan



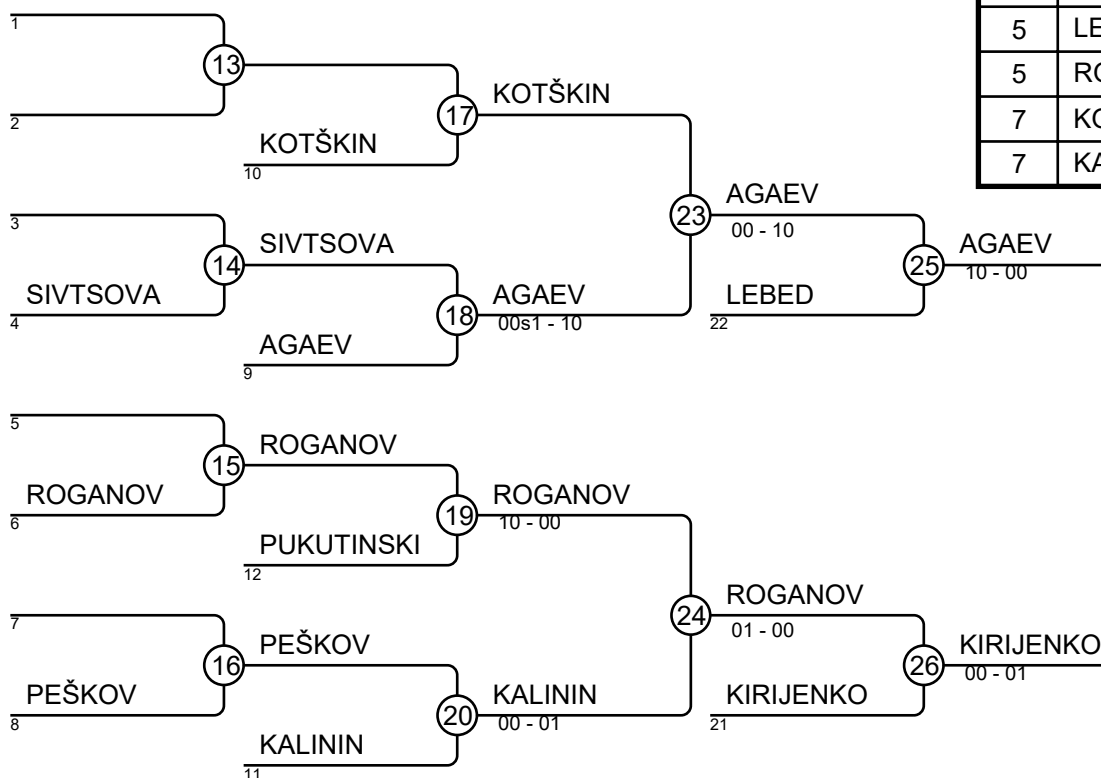
Bushinkan Cup 2019 20.04.2019 Tallinn D -38_2007-2009

Competitors: 11



Results

Pos	Name
1	VINOGRADOV Dmitri, Budolinn
2	HRISTOFOROV Bruno, Barra
3	AGAEV Samir, Audentes
3	KIRIJENKO Nil, Budolinn
5	LEBED Mihail, Bushinkan
5	ROGANOV Andrei, Budolinn
7	KOTŠKIN Artjom, Budolinn
7	KALININ Aleksander, Audentes



Bushinkan Cup 2019 20.04.2019 Tallinn D -42_2007-2009

Competitors: 5

Competitors

#	Name	Grade	Club	1	2	3	4	5	Wins	Pts	Pos
1	KRASNOVA Aleksandra (41,00)	5.kyu	Budolinn						0	0	5
2	VÄÄT Rainis (41,70)	5.kyu	Barra	10		1	1	10	4	22	1
3	ZIMMERMANN Mark (42,00)	5.kyu	Audentes	10				10	2	20	3
4	POPOVICH Maksim (42,00)	5.kyu	Budolinn	10		1		10	3	21	2
5	KULIK Maksim (41,00)	5.kyu	Budolinn	10					1	10	4

Matches

Match	White	Blue	Result	Time
1	POPOVICH Maksim 4 5	KULIK Maksim	10-00	1:08
2	KRASNOVA Aleksandra 1 2	VÄÄT Rainis	00-10	1:32
3	ZIMMERMANN Mark 3 4	POPOVICH Maksim	00-01	2:00
4	KRASNOVA Aleksandra 1 5	KULIK Maksim	00s3-10	2:00
5	VÄÄT Rainis 2 3	ZIMMERMANN Mark	01-00	2:00
6	KRASNOVA Aleksandra 1 4	POPOVICH Maksim	00-10	0:41
7	ZIMMERMANN Mark 3 5	KULIK Maksim	10-00	0:50
8	VÄÄT Rainis 2 4	POPOVICH Maksim	01-00	2:00
9	KRASNOVA Aleksandra 1 3	ZIMMERMANN Mark	00-10	1:02
10	VÄÄT Rainis 2 5	KULIK Maksim	10-00	1:28

Results

Pos	Name
1	VÄÄT Rainis, Barra
2	POPOVICH Maksim, Budolinn
3	ZIMMERMANN Mark, Audentes
4	KULIK Maksim, Budolinn
5	KRASNOVA Aleksandra, Budolinn

Bushinkan Cup 2019 20.04.2019 Tallinn D -46_2007-2009

Competitors: 3

Competitors

#	Name	Grade	Club	1	2	3	Wins	Pts	Pos
1	PIMAŠIN Aleksander (44,00)	4.kyu	Bushinkan				0	0	3
2	KOMIN Kirill (45,50)	4.kyu	Audentes	1		10	2	11	1
3	KORTŠIN Nikon (45,50)	4.kyu	M-Dojo	10			1	10	2

Matches

Match	White			Blue	Result	Time
1	PIMAŠIN Aleksander	1	2	KOMIN Kirill	00-01	2:00
2	PIMAŠIN Aleksander	1	3	KORTŠIN Nikon	00-10	1:05
3	KOMIN Kirill	2	3	KORTŠIN Nikon	10-00	1:37

Results

Pos	Name
1	KOMIN Kirill, Audentes
2	KORTŠIN Nikon, M-Dojo
3	PIMAŠIN Aleksander, Bushinkan

Bushinkan Cup 2019 20.04.2019 Tallinn D -50_2007-2009

Competitors: 6

Competitors A

#	Name	Grade	Club	1	2	3	Wins	Pts	Pos
1	GOLOVIN Vladislav (46,60)	4.kyu	Bushinkan		1		1	1	3
2	SAMUILIK Mark (48,10)	5.kyu	Bushinkan			10	1	10	1
3	PIMAŠIN Pavel (47,00)	4.kyu	Bushinkan	10			1	10	2

Matches A

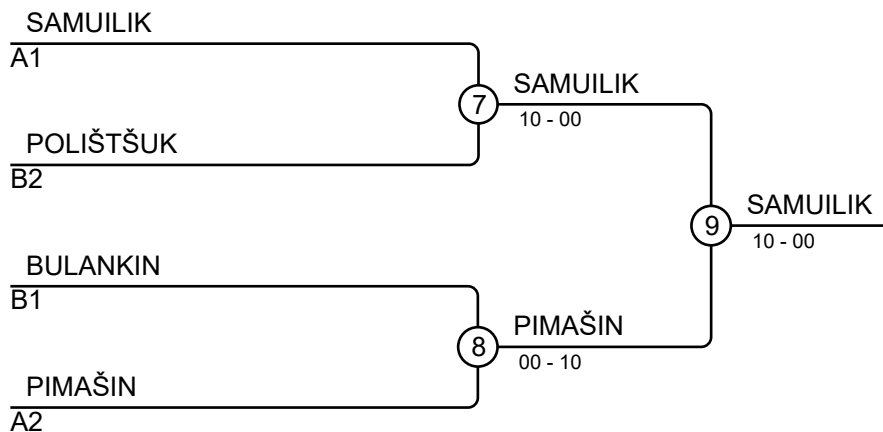
Match	White	Blue	Result	Time
1	GOLOVIN Vladislav 1 2	SAMUILIK Mark	01-00	2:00
3	GOLOVIN Vladislav 1 3	PIMAŠIN Pavel	00-10	1:30
5	SAMUILIK Mark 2 3	PIMAŠIN Pavel	10-00	1:03

Competitors B

#	Name	Grade	Club	4	5	6	Wins	Pts	Pos
4	SHVETS Ilja (50,00)	9.kyu	Bushinkan				0	0	3
5	POLIŠTŠUK Jevgeni (50,00)	9.kyu	Bushinkan	1			1	1	2
6	BULANKIN Aleksei (50,00)	4.kyu	Budolinn	10	10		2	20	1

Matches B

Match	White	Blue	Result	Time
2	SHVETS Ilja 4 5	POLIŠTŠUK Jevgeni	00-01	2:00
4	SHVETS Ilja 4 6	BULANKIN Aleksei	00-10	0:21
6	POLIŠTŠUK Jevgeni 5 6	BULANKIN Aleksei	00-10	1:27



Results

Pos	Name
1	SAMUILIK Mark, Bushinkan
2	PIMAŠIN Pavel, Bushinkan
3	POLIŠTŠUK Jevgeni, Bushinkan
3	BULANKIN Aleksei, Budolinn

Bushinkan Cup 2019 20.04.2019 Tallinn D+50_2007-2009

Competitors: 5

Competitors

#	Name	Grade	Club	1	2	3	4	5	Wins	Pts	Pos
1	MEMBERG Leon (54,00)	4.kyu	Bushinkan		10		10	10	3	30	2
2	SOKOLOV Artjom (51,50)	4.kyu	Budolinn				10	10	2	20	3
3	DONBERG Tõnis (66,50)	5.kyu	Barra	10	10		10	10	4	40	1
4	KALINSKI Ilja (67,50)	6.kyu	Bushinkan					1	1	1	4
5	RÕVLIN Vjatseslav (54,80)	6.kyu	Bushinkan						0	0	5

Matches

Match	White	Blue	Result	Time
1	KALINSKI Ilja 4 5	RÕVLIN Vjatseslav	01-00	2:00
2	MEMBERG Leon 1 2	SOKOLOV Artjom	10-00	1:20
3	DONBERG Tõnis 3 4	KALINSKI Ilja	10-00	1:58
4	MEMBERG Leon 1 5	RÕVLIN Vjatseslav	10-00	0:30
5	SOKOLOV Artjom 2 3	DONBERG Tõnis	00-10	0:42
6	MEMBERG Leon 1 4	KALINSKI Ilja	10-00	0:36
7	DONBERG Tõnis 3 5	RÕVLIN Vjatseslav	10-00	1:20
8	SOKOLOV Artjom 2 4	KALINSKI Ilja	10-00	1:04
9	MEMBERG Leon 1 3	DONBERG Tõnis	00-10	1:01
10	SOKOLOV Artjom 2 5	RÕVLIN Vjatseslav	10-00	1:02

Results

Pos	Name
1	DONBERG Tõnis, Barra
2	MEMBERG Leon, Bushinkan
3	SOKOLOV Artjom, Budolinn
4	KALINSKI Ilja, Bushinkan
5	RÕVLIN Vjatseslav, Bushinkan