

# Keeraku 20/11/2021 Tartu MU12+50

## Competitors

Competitors: 5

#	Name	Grade	Club	1	2	3	4	5	Wins	Pts	Pos
1	Romet LODDES	8.kyu	Audentese Spordiklubi			10	1		2	11	4
2	Aleksei KABANOV	?	Budolinn	10		1			2	11	3
3	Ernestis BALKENS	6.kyu	KYODAI						0	0	5
4	August Martin NURM	6.kyu	Tartu Do		10	10			2	20	2
5	Hubert LIPPUS	3.kyu	Spordiklubi Barra	10	10	1	10		4	31	1

## Matches

Match	White	Blue	Result	Time
1	August Martin NURM	4 5 Hubert LIPPUS	00s1-10s1	3:00
2	Romet LODDES	1 2 Aleksei KABANOV	00-10	0:08
3	Ernestis BALKENS	3 4 August Martin NURM	00s1-10s2	3:00
4	Romet LODDES	1 5 Hubert LIPPUS	00s1-10	2:21
5	Aleksei KABANOV	2 3 Ernestis BALKENS	01-00	2:00
6	Romet LODDES	1 4 August Martin NURM	01-00	2:00
7	Ernestis BALKENS	3 5 Hubert LIPPUS	00s1-01	1:58
8	Aleksei KABANOV	2 4 August Martin NURM	01-10	1:38
9	Romet LODDES	1 3 Ernestis BALKENS	10-00	0:00
10	Aleksei KABANOV	2 5 Hubert LIPPUS	00s1-10	1:11

## Results

Pos	Name
1	Hubert LIPPUS, Spordiklubi Barra
2	August Martin NURM, Tartu Do
3	Aleksei KABANOV, Budolinn
4	Romet LODDES, Audentese Spordiklubi
5	Ernestis BALKENS, KYODAI

# Keeraku 20/11/2021 Tartu MU12-28

## Competitors

Competitors: 5

#	Name	Grade	Club	1	2	3	4	5	Wins	Pts	Pos
1	Rand Johann OTSMANN	9.kyu	Dokyo						0	0	5
2	Vladislav GLUSKOV	?	Budolinn	10					1	10	4
3	Pavels RASIMENOKS	9.kyu	Judo club SENSEI	10	10				2	20	3
4	Oleksi LAVRINJOV	6.kyu	Audentese Spordiklubi	10	10	1		10	4	31	1
5	Adrian GUSSAROV	?	Audentese Spordiklubi	10	10	1			3	21	2

## Matches

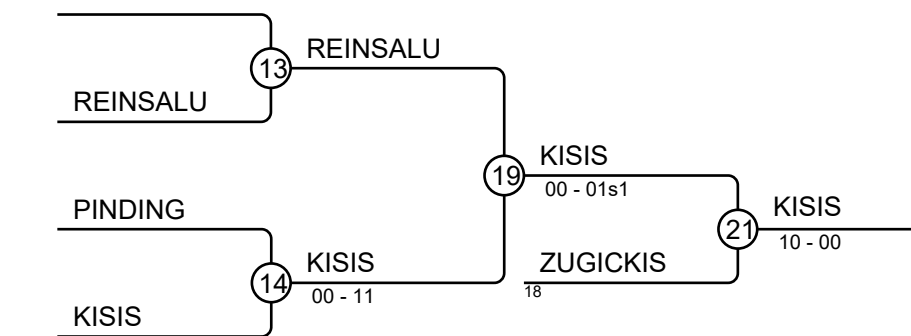
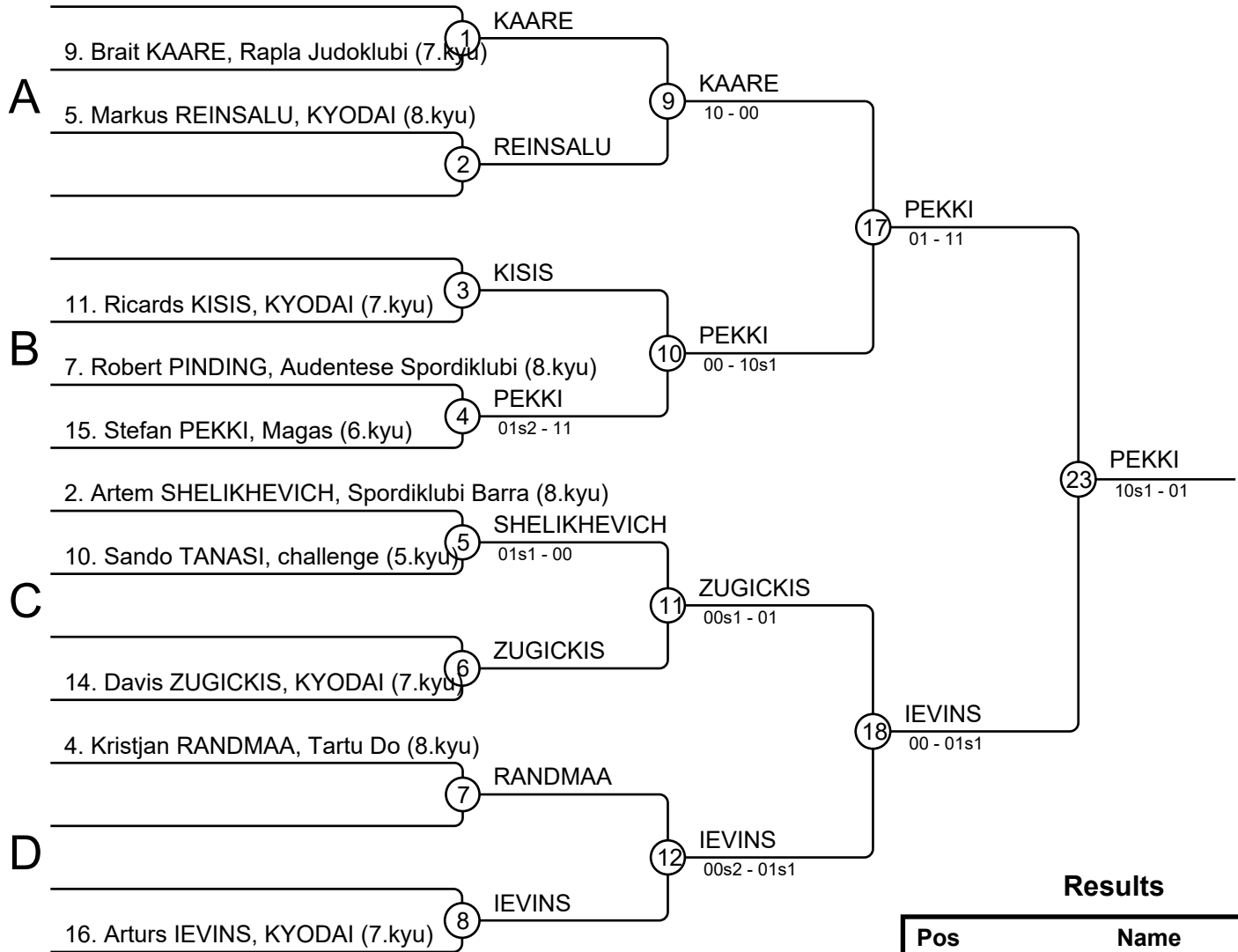
Match	White			Blue	Result	Time
1	Oleksi LAVRINJOV	4	5	Adrian GUSSAROV	10s1-00	1:42
2	Rand Johann OTSMANN	1	2	Vladislav GLUSKOV	00-11	0:31
3	Pavels RASIMENOKS	3	4	Oleksi LAVRINJOV	00s1-01s1	2:00
4	Rand Johann OTSMANN	1	5	Adrian GUSSAROV	00-10	0:14
5	Vladislav GLUSKOV	2	3	Pavels RASIMENOKS	00-10	0:08
6	Rand Johann OTSMANN	1	4	Oleksi LAVRINJOV	00-10	0:11
7	Pavels RASIMENOKS	3	5	Adrian GUSSAROV	00-01	2:00
8	Vladislav GLUSKOV	2	4	Oleksi LAVRINJOV	00-10	0:23
9	Rand Johann OTSMANN	1	3	Pavels RASIMENOKS	00-10	0:44
10	Vladislav GLUSKOV	2	5	Adrian GUSSAROV	00-10	0:28

## Results

Pos	Name
1	Oleksi LAVRINJOV, Audentese Spordiklubi
2	Adrian GUSSAROV, Audentese Spordiklubi
3	Pavels RASIMENOKS, Judo club SENSEI
4	Vladislav GLUSKOV, Budolinn
5	Rand Johann OTSMANN, Dokyo

# Keeraku 20/11/2021 Tartu MU12-30

Competitors: 10

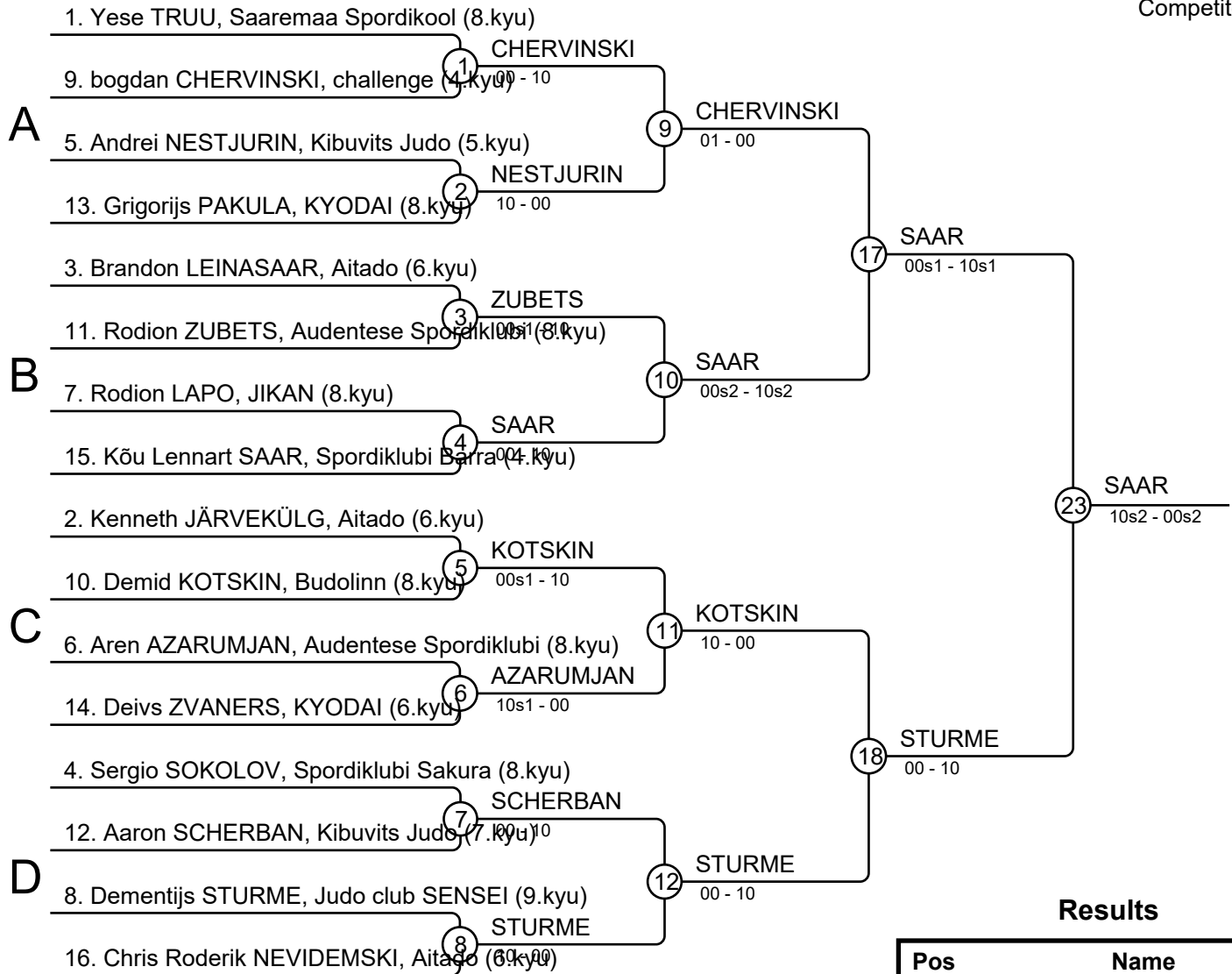


## Results

Pos	Name
1	Stefan PEKKI, Magas
2	Arturs IEVINS, KYODAI
3	Ricards KISIS, KYODAI
3	Kristjan RANDMAA, Tartu Do
5	Davis ZUGICKIS, KYODAI
5	Brait KAARE, Rapla Judoklubi
7	Markus REINSALU, KYODAI
7	Artem SHELKHEVICH, Spordiklubi Barra

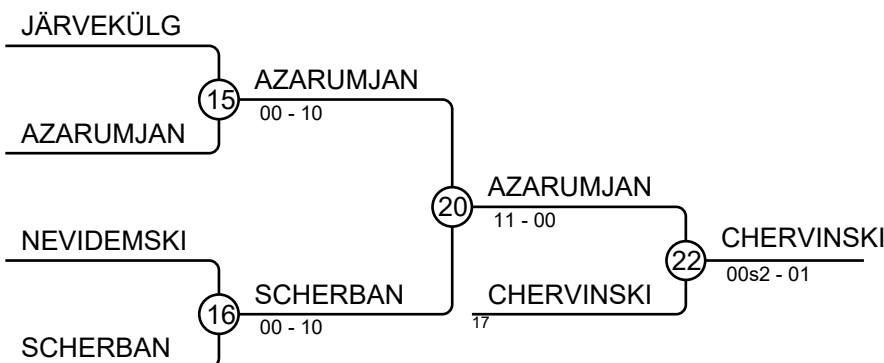
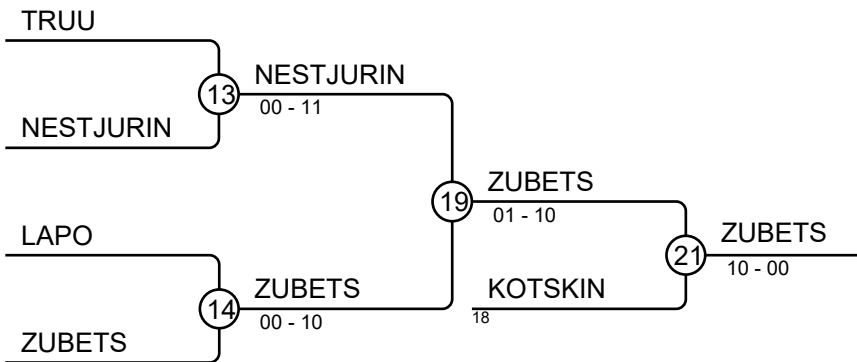
# Keeraku 20/11/2021 Tartu MU12-34

Competitors: 16



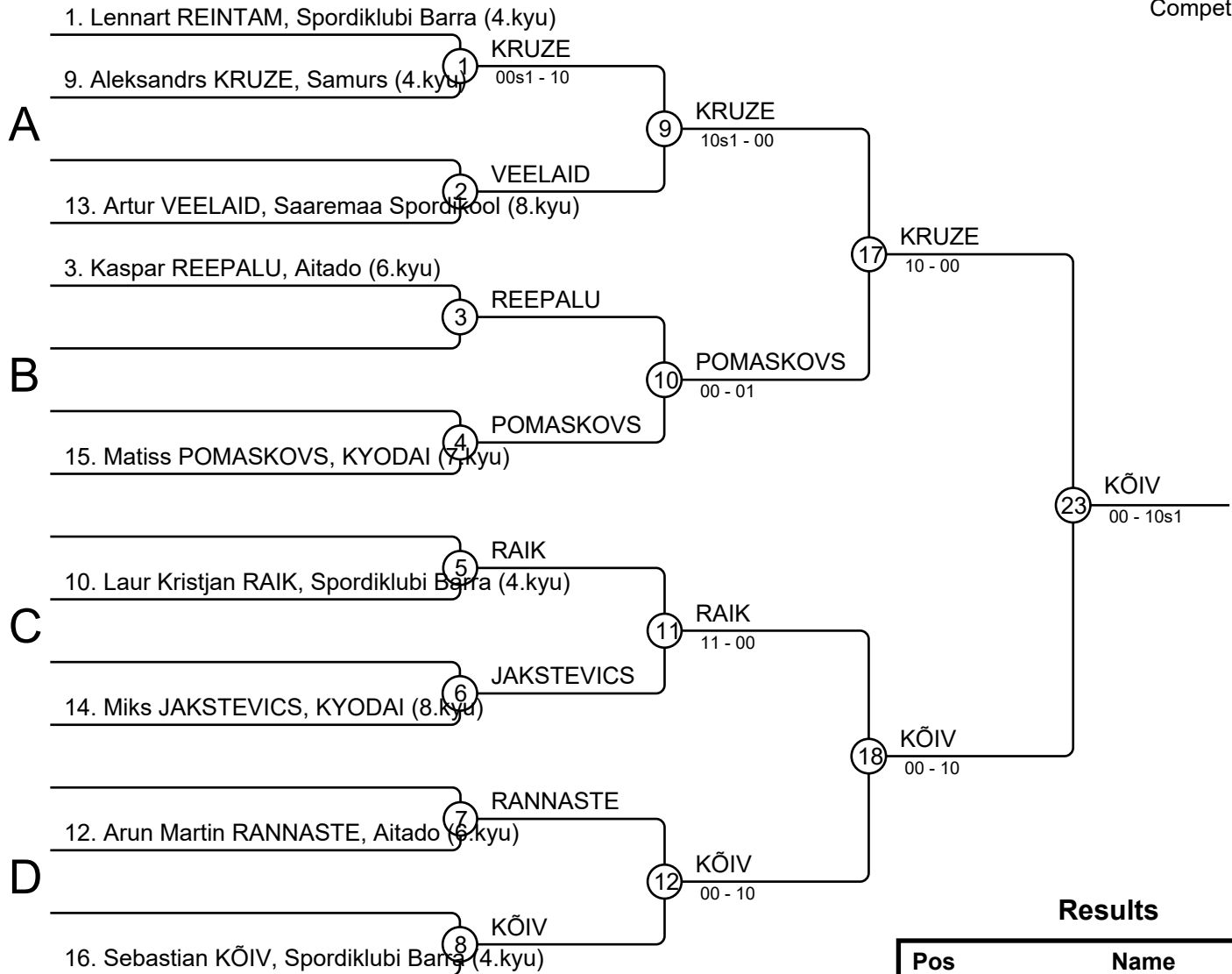
## Results

Pos	Name
1	Kõu Lennart SAAR, Spordiklubi Barra
2	Dementijs STURME, Judo club SENS
3	Rodion ZUBETS, Audentese Spordikl
3	bogdan CHERVINSKI, challenge
5	Demid KOTSKIN, Budolinn
5	Aren AZARUMJAN, Audentese Spord
7	Andrei NESTJURIN, Kibuvits Judo
7	Aaron SCHERBAN, Kibuvits Judo



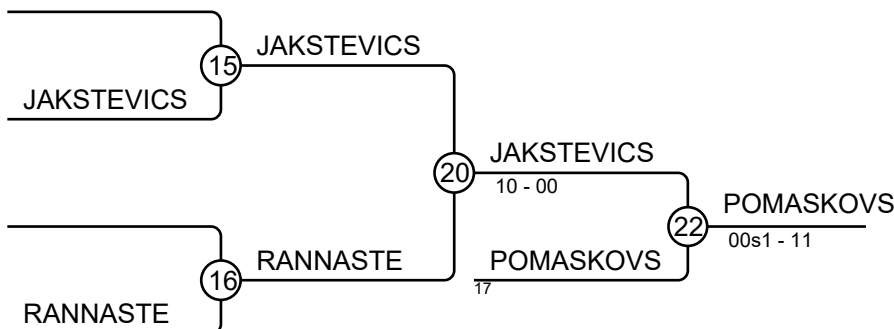
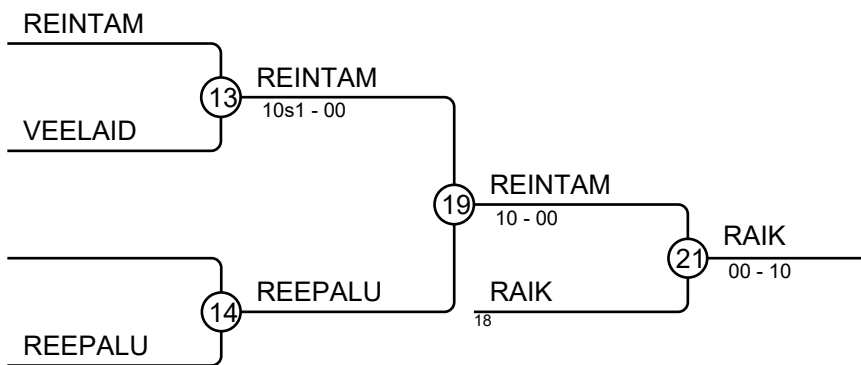
# Keeraku 20/11/2021 Tartu MU12-38

Competitors: 9



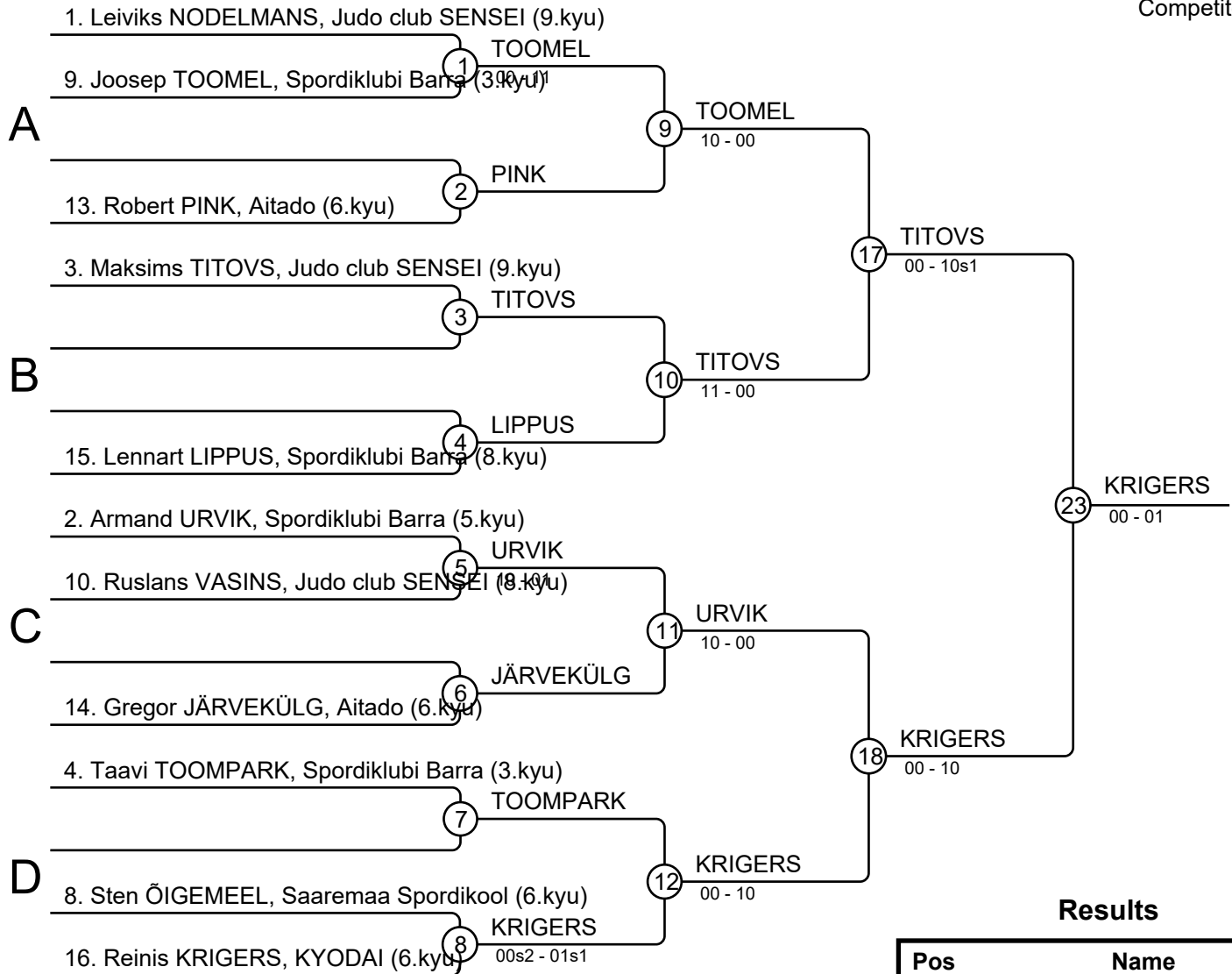
## Results

Pos	Name
1	Sebastian KÕIV, Spordiklubi Barra
2	Aleksandrs KRUZE, Samurs
3	Laur Kristjan RAIK, Spordiklubi Barra
3	Matiss POMASKOVs, KYODAI
5	Lennart REINTAM, Spordiklubi Barra
5	Miks JAKSTEVICS, KYODAI
7	Kaspar REEPALU, Aitado
7	Arun Martin RANNASTE, Aitado



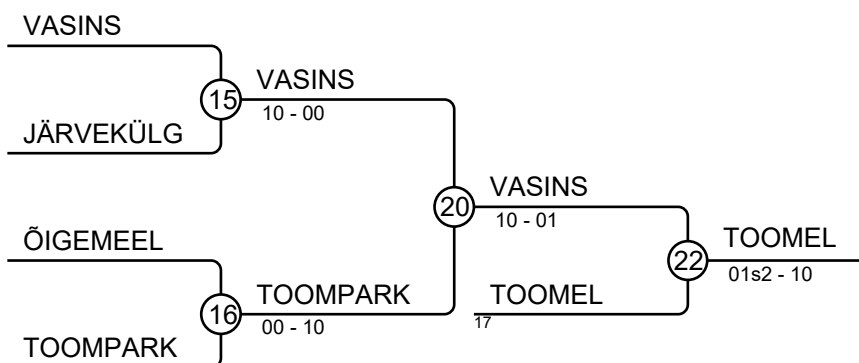
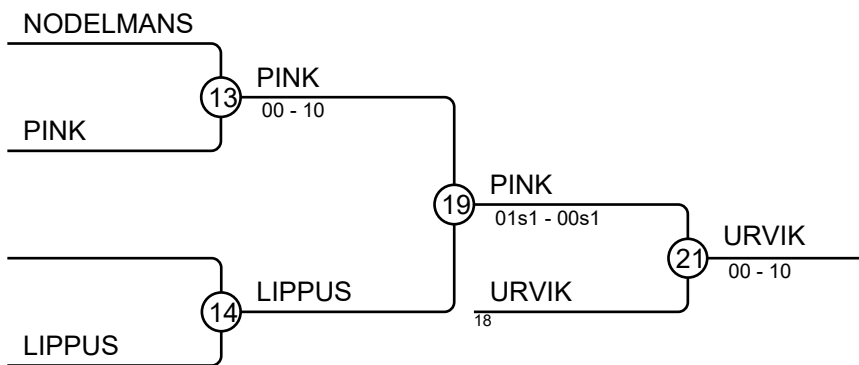
# Keeraku 20/11/2021 Tartu MU12-42

Competitors: 11



## Results

Pos	Name
1	Reinis KRIGERS, KYODAI
2	Maksims TITOVŠ, Judo club SENSEI
3	Armand URVIK, Spordiklubi Barra
3	Joosep TOOMEL, Spordiklubi Barra
5	Robert PINK, Aitado
5	Ruslans VASINS, Judo club SENSEI
7	Lennart LIPPUS, Spordiklubi Barra
7	Taavi TOOMPARK, Spordiklubi Barra



# Keeraku 20/11/2021 Tartu MU12-46

## Competitors

Competitors: 5

#	Name	Grade	Club	1	2	3	4	5	Wins	Pts	Pos
1	Timofei KHOMITSKIY	5.kyu	Energia/Bufen-Do			1	10	10	3	21	2
2	Amir ALIKHANOV	4.kyu	Kohtla-Jarve Kalev	10		10	10	10	4	40	1
3	Aleksandrs ZATRAVKINS	5.kyu	Samurs				10	10	2	20	3
4	Ilja ROŽIN	8.kyu	Dodze					1	1	1	4
5	Remo PIKKUR	6.kyu	Aitado						0	0	5

## Matches

Match	White			Blue	Result	Time
1	Ilja ROŽIN	4	5	Remo PIKKUR	01-00	2:00
2	Timofei KHOMITSKIY	1	2	Amir ALIKHANOV	00-10	0:47
3	Aleksandrs ZATRAVKINS	3	4	Ilja ROŽIN	10s1-00s1	1:47
4	Timofei KHOMITSKIY	1	5	Remo PIKKUR	10-00	0:43
5	Amir ALIKHANOV	2	3	Aleksandrs ZATRAVKINS	10-00s1	1:25
6	Timofei KHOMITSKIY	1	4	Ilja ROŽIN	10s1-00s1	1:48
7	Aleksandrs ZATRAVKINS	3	5	Remo PIKKUR	10-00	1:23
8	Amir ALIKHANOV	2	4	Ilja ROŽIN	10-00	0:07
9	Timofei KHOMITSKIY	1	3	Aleksandrs ZATRAVKINS	01s2-00	2:00
10	Amir ALIKHANOV	2	5	Remo PIKKUR	10-00	0:06

## Results

Pos	Name
1	Amir ALIKHANOV, Kohtla-Jarve Kalev
2	Timofei KHOMITSKIY, Energia/Bufen-Do
3	Aleksandrs ZATRAVKINS, Samurs
4	Ilja ROŽIN, Dodze
5	Remo PIKKUR, Aitado

# Keeraku 20/11/2021 Tartu MU12-50

## Competitors

Competitors: 1

#	Name	Grade	Club	1	Wins	Pts	Pos
1	Kirill DARADANOV	4.kyu	Võru Judoklubi REI		0	0	1

## Matches

Match	White	Blue	Result	Time
-------	-------	------	--------	------

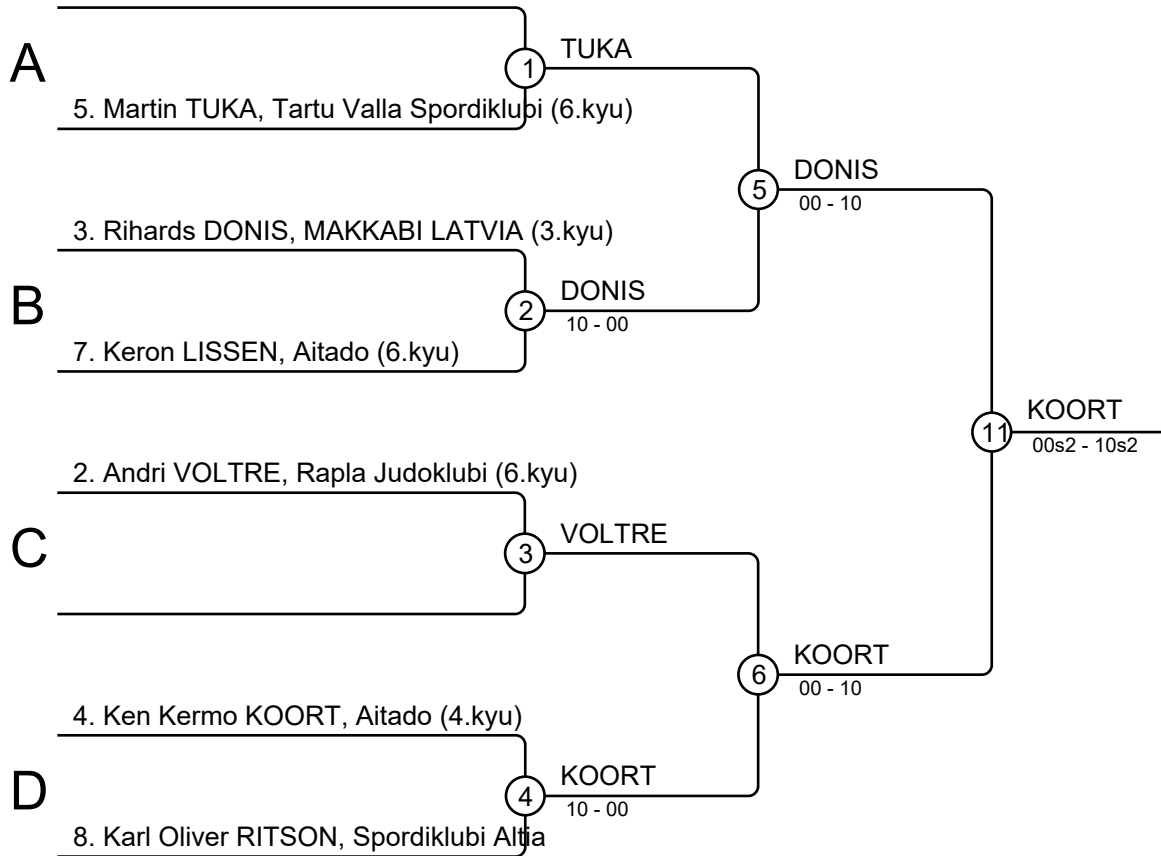
## Results

Pos	Name
1	Kirill DARADANOV, Võru Judoklubi REI



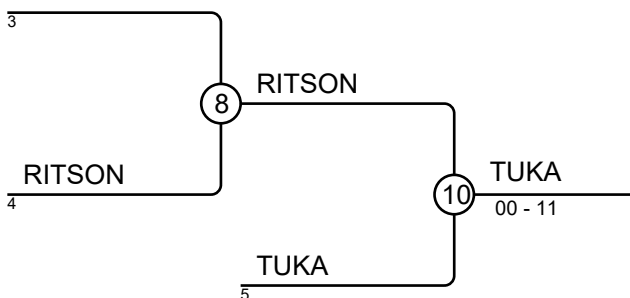
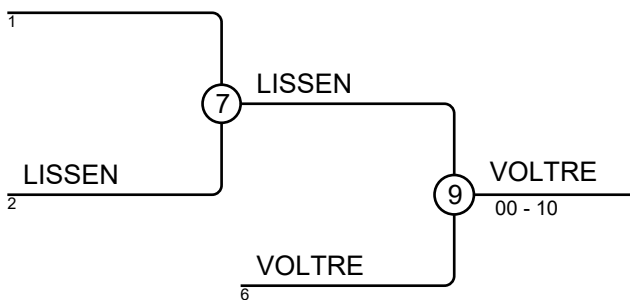
# Keeraku 20/11/2021 Tartu MU14+70

Competitors: 6



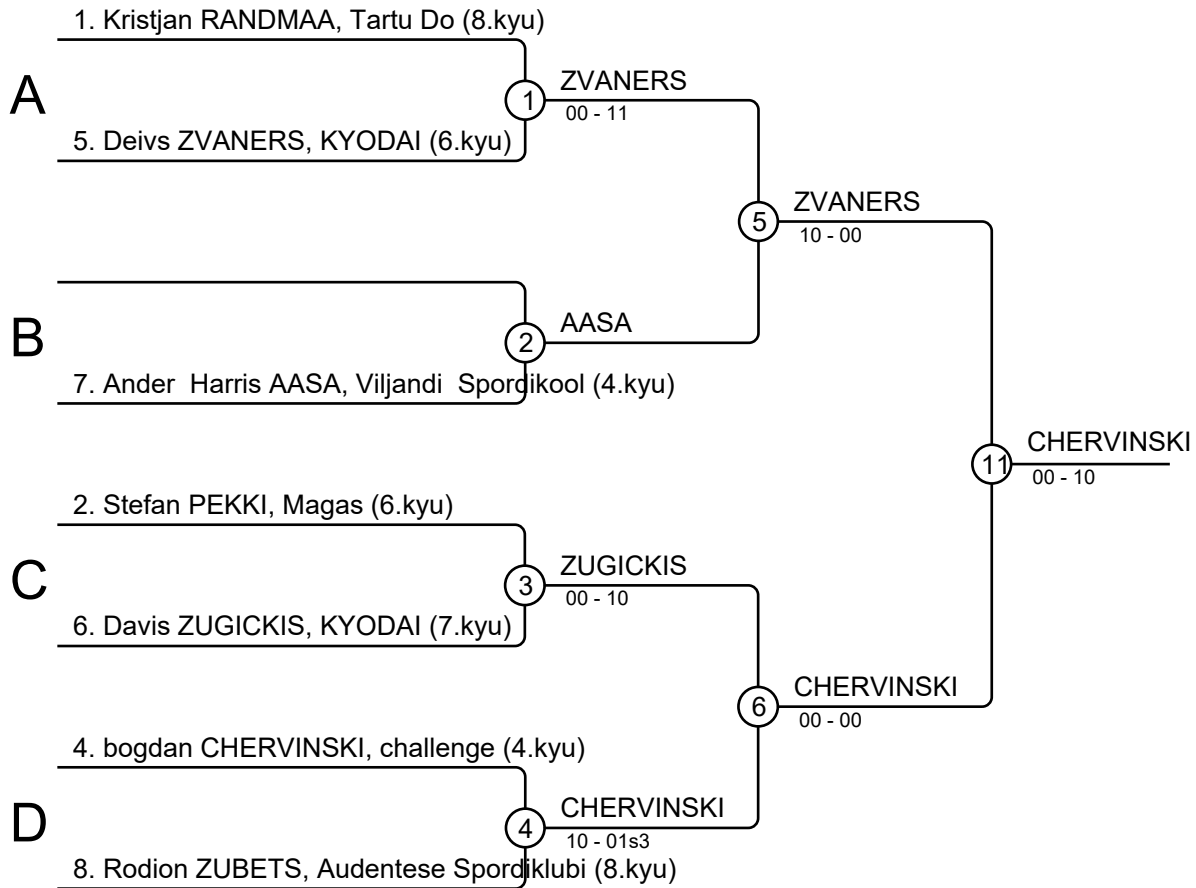
## Results

Pos	Name
1	Ken Kermo KOORT, Aitado
2	Rihards DONIS, MAKKABI LATVIA
3	Andri VOLTRE, Rapla Judoklubi
3	Martin TUKA, Tartu Valla Spordiklubi
5	Keron LISSEN, Aitado
5	Karl Oliver RITSON, Spordiklubi Alia
7	
7	



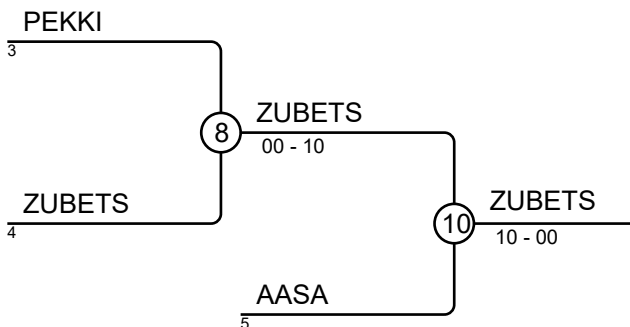
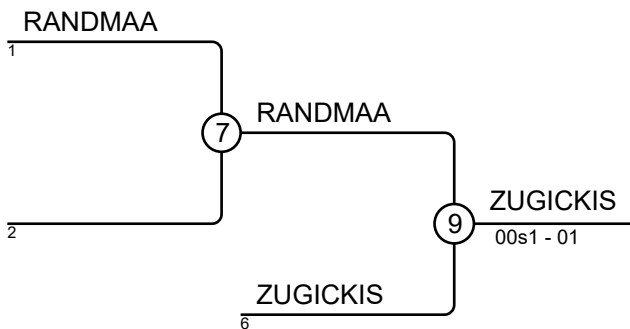
# Keeraku 20/11/2021 Tartu MU14-32

Competitors: 7



## Results

Pos	Name
1	bogdan CHERVINSKI, challenge
2	Deivs ZVANERS, KYODAI
3	Davis ZUGICKIS, KYODAI
3	Rodion ZUBETS, Audentese Spordiklubi
5	Kristjan RANDMAA, Tartu Do
5	Ander Harris AASA, Viljandi Spordikool
7	
7	Stefan PEKKI, Magas



# Keeraku 20/11/2021 Tartu MU14-35

## Competitors

Competitors: 4

#	Name	Grade	Club	1	2	3	4	Wins	Pts	Pos
1	Arsenijs SPINU	3.kyu	FUDOSHIN		10	10	10	3	30	1
2	Timurs ISAKOVS	6.kyu	Judo club SENSEI					0	0	4
3	Markus SOE	3.kyu	Võru Judoklubi REI		10			1	10	3
4	Artur KOROTIN	6.kyu	Audentese Spordiklubi		1	1		2	2	2

## Matches

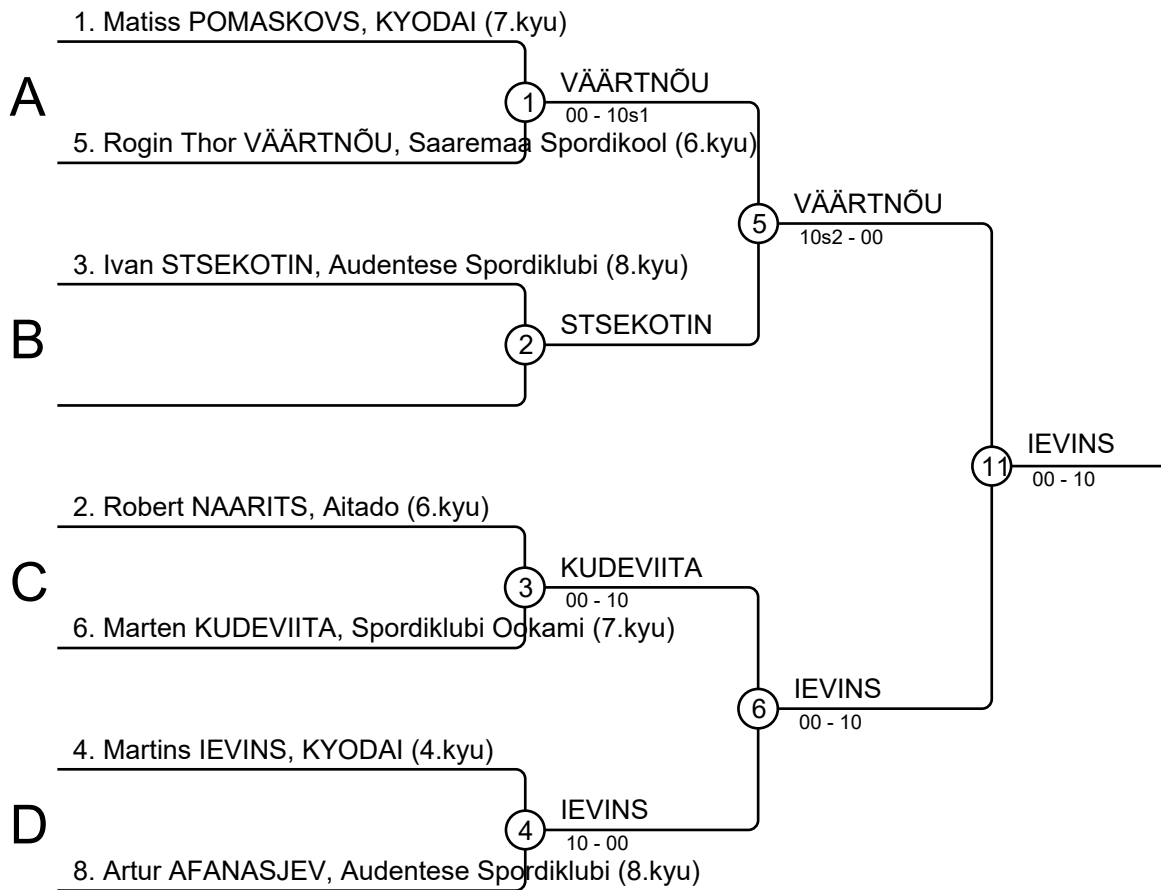
Match	White	Blue	Result	Time
1	Arsenijs SPINU	1 2 Timurs ISAKOVS	10-00	0:28
2	Markus SOE	3 4 Artur KOROTIN	00-01s1	3:00
3	Arsenijs SPINU	1 3 Markus SOE	10-00	1:07
4	Timurs ISAKOVS	2 4 Artur KOROTIN	00-01	3:00
5	Arsenijs SPINU	1 4 Artur KOROTIN	11-00s1	1:47
6	Timurs ISAKOVS	2 3 Markus SOE	00s1-10s1	1:45

## Results

Pos	Name
1	Arsenijs SPINU, FUDOSHIN
2	Artur KOROTIN, Audentese Spordiklubi
3	Markus SOE, Võru Judoklubi REI
4	Timurs ISAKOVS, Judo club SENSEI

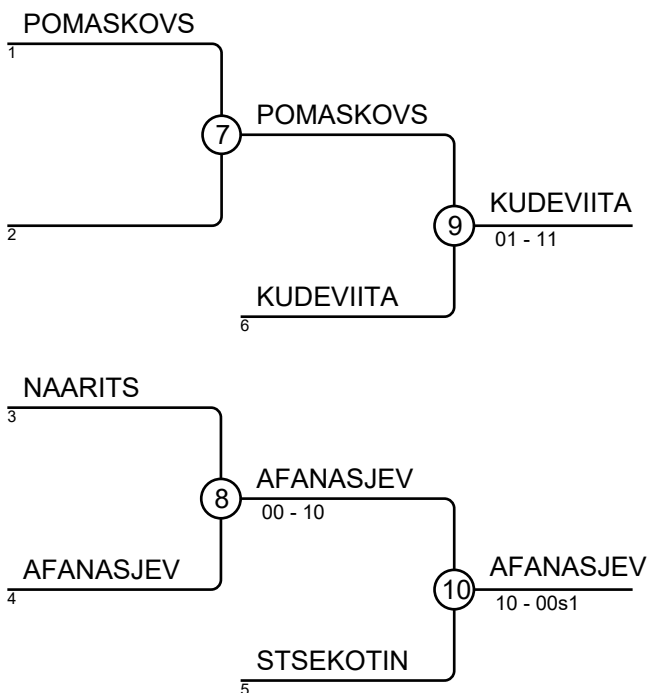
# Keeraku 20/11/2021 Tartu MU14-38

Competitors: 7



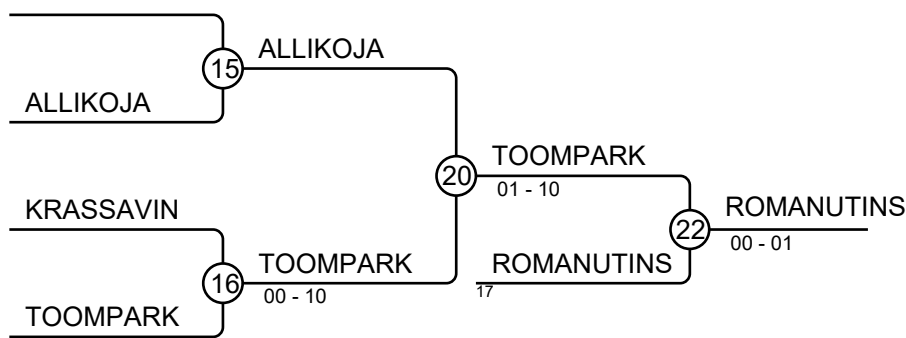
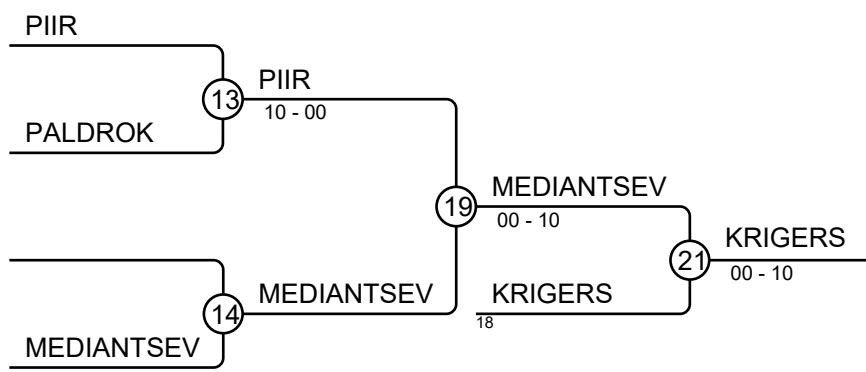
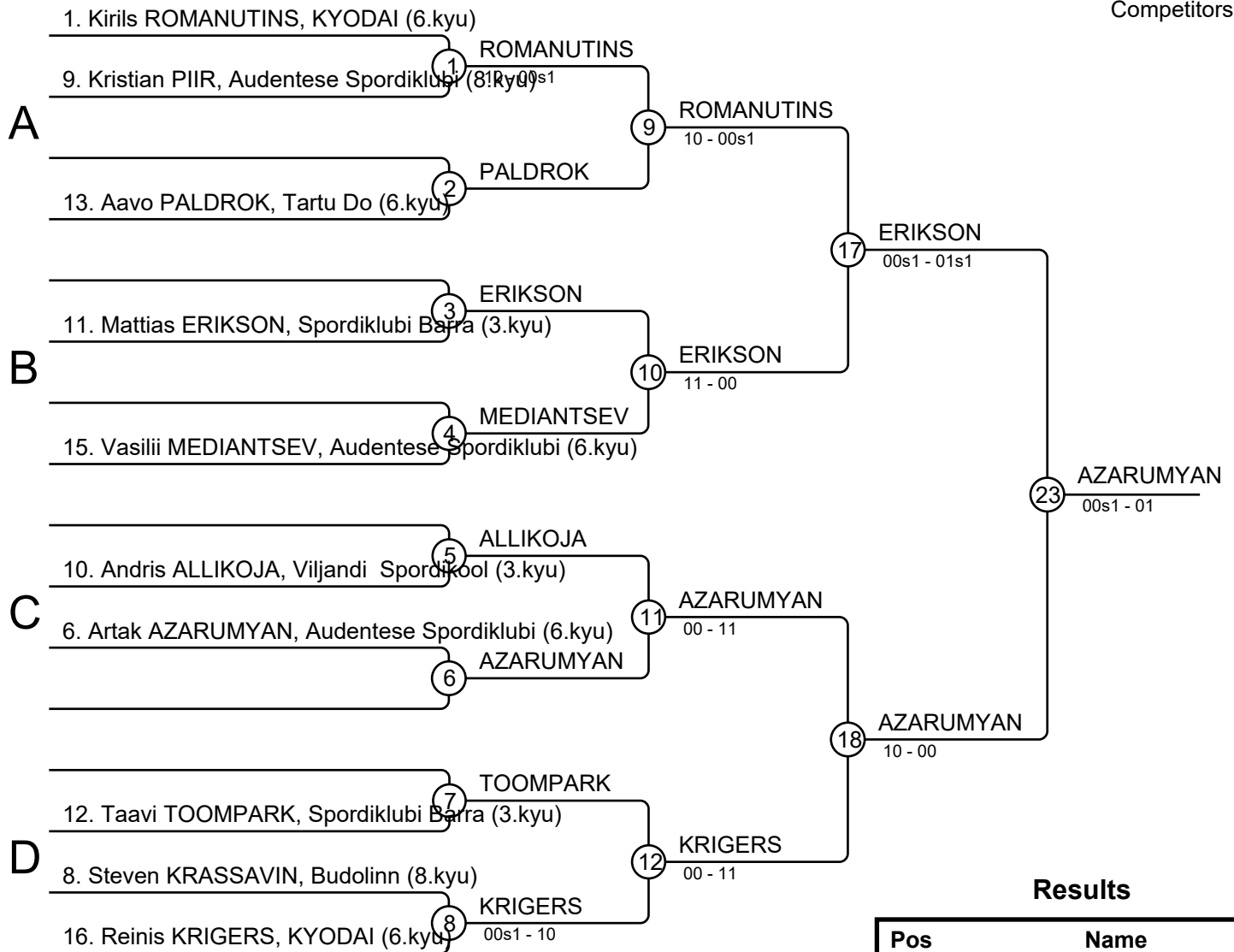
## Results

Pos	Name
1	Martins IEVINS, KYODAI
2	Rogin Thor VÄÄRTNÕU, Saaremaa S
3	Marten KUDEVIITA, Spordiklubi Ooka
3	Artur AFANASJEV, Audentese Spord
5	Matiss POMASKOVS, KYODAI
5	Ivan STSEKOTIN, Audentese Spordil
7	
7	Robert NAARITS, Aitado



# Keeraku 20/11/2021 Tartu MU14-42

Competitors: 10

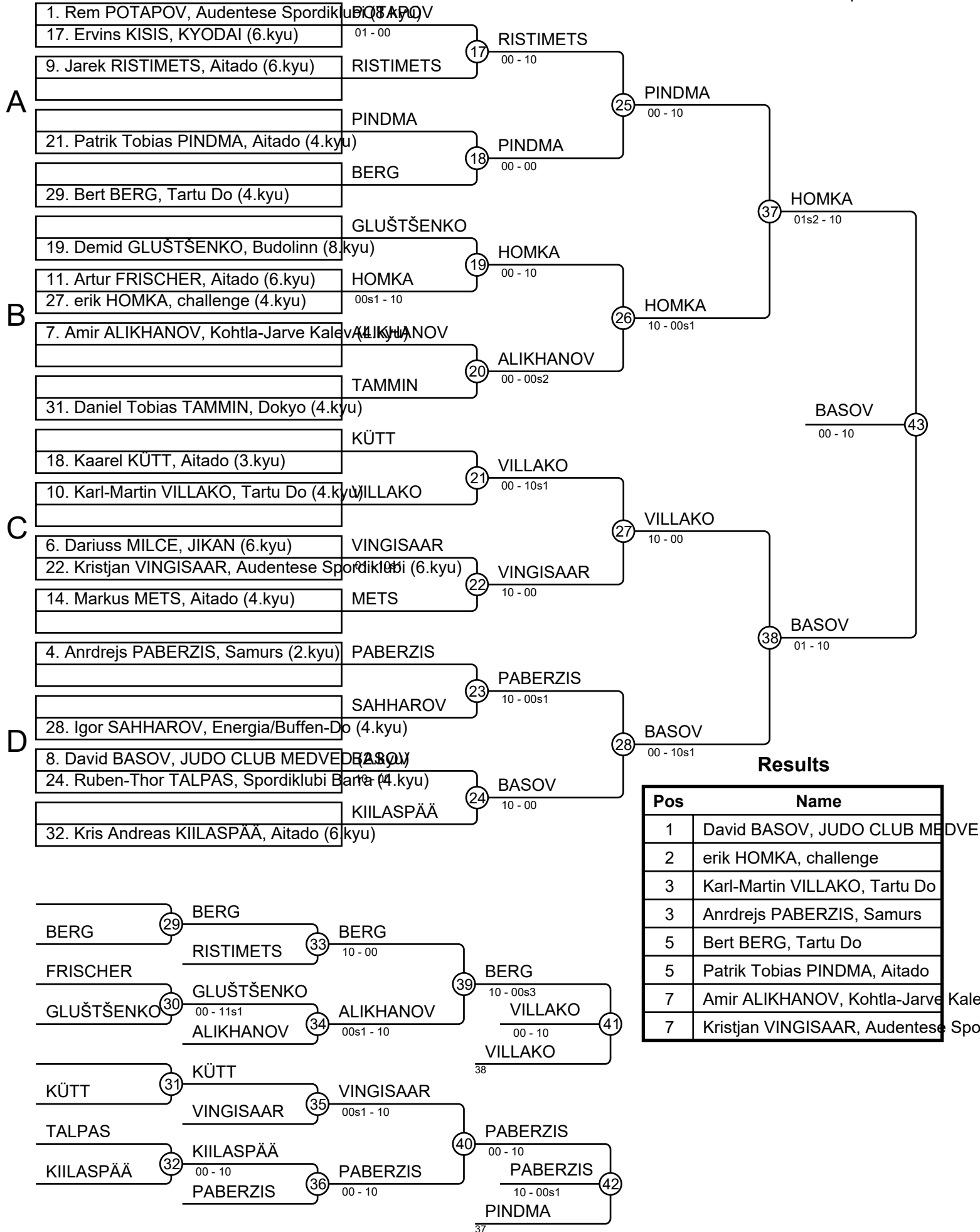


## Results

Pos	Name
1	Artak AZARUMYAN, Audentese Spordiklubi
2	Mattias ERIKSON, Spordiklubi Barra
3	Reinis KRIGERS, KYODAI
3	Kirils ROMANUTINS, KYODAI
5	Vasilii MEDIANTSEV, Audentese Spordiklubi
5	Taavi TOOMPARK, Spordiklubi Barra
7	Kristian PIIR, Audentese Spordiklubi
7	Andris ALLIKOJA, Viljandi Spordikool

# Keeraku 20/11/2021 Tartu MU14-46

Competitors: 20



# Keeraku 20/11/2021 Tartu MU14-50

## Competitors

Competitors: 5

#	Name	Grade	Club	1	2	3	4	5	Wins	Pts	Pos
1	Georg Sebastian NÕGES	4.kyu	Aitado		1	10		1	3	12	3
2	Mikk ALAJÕE	6.kyu	Spordiklubi Altia			10	10	10	3	30	1
3	Dmitrijs KOLOSOVS	5.kyu	KYODAI						0	0	5
4	Volodimir LAVRINJOV	4.kyu	Audentese Spordiklubi	10		10		10	3	30	2
5	Kristjan KÜTSON	6.kyu	Audentese Spordiklubi			10			1	10	4

## Matches

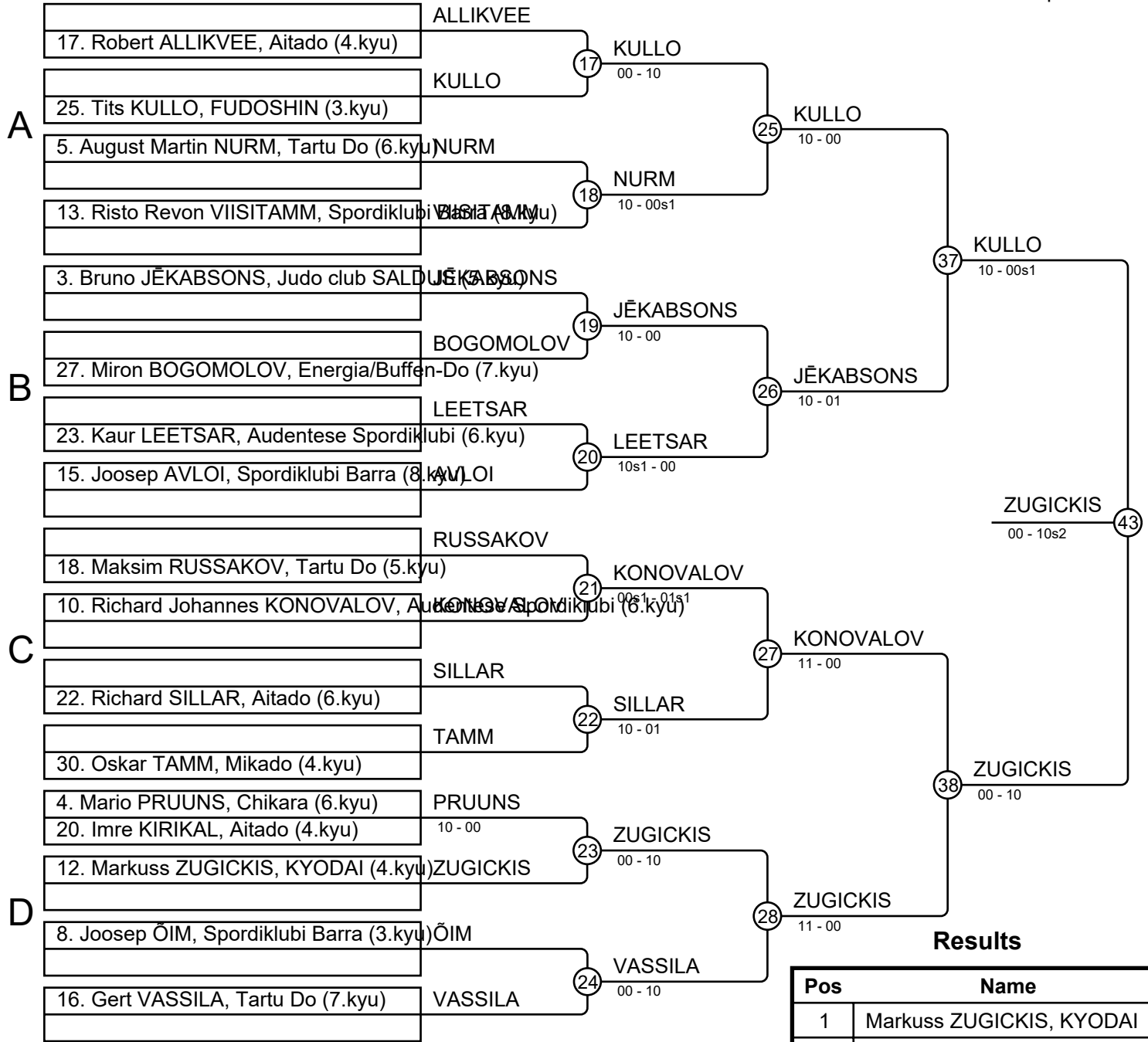
Match	White	Blue	Result	Time
1	Volodimir LAVRINJOV	Kristjan KÜTSON	4 5	11s2-00s2 2:58
2	Georg Sebastian NÕGES	Mikk ALAJÕE	1 2	01s1-00 3:00
3	Dmitrijs KOLOSOVS	Volodimir LAVRINJOV	3 4	00s2-10s1 2:51
4	Georg Sebastian NÕGES	Kristjan KÜTSON	1 5	01-00s2 3:00
5	Mikk ALAJÕE	Dmitrijs KOLOSOVS	2 3	10-00 0:16
6	Georg Sebastian NÕGES	Volodimir LAVRINJOV	1 4	00-10 3:00
7	Dmitrijs KOLOSOVS	Kristjan KÜTSON	3 5	00-10 1:56
8	Mikk ALAJÕE	Volodimir LAVRINJOV	2 4	10s1-00s3 3:30
9	Georg Sebastian NÕGES	Dmitrijs KOLOSOVS	1 3	10-00 1:31
10	Mikk ALAJÕE	Kristjan KÜTSON	2 5	10s2-00 1:45

## Results

Pos	Name
1	Mikk ALAJÕE, Spordiklubi Altia
2	Volodimir LAVRINJOV, Audentese Spordiklubi
3	Georg Sebastian NÕGES, Aitado
4	Kristjan KÜTSON, Audentese Spordiklubi
5	Dmitrijs KOLOSOVS, KYODAI

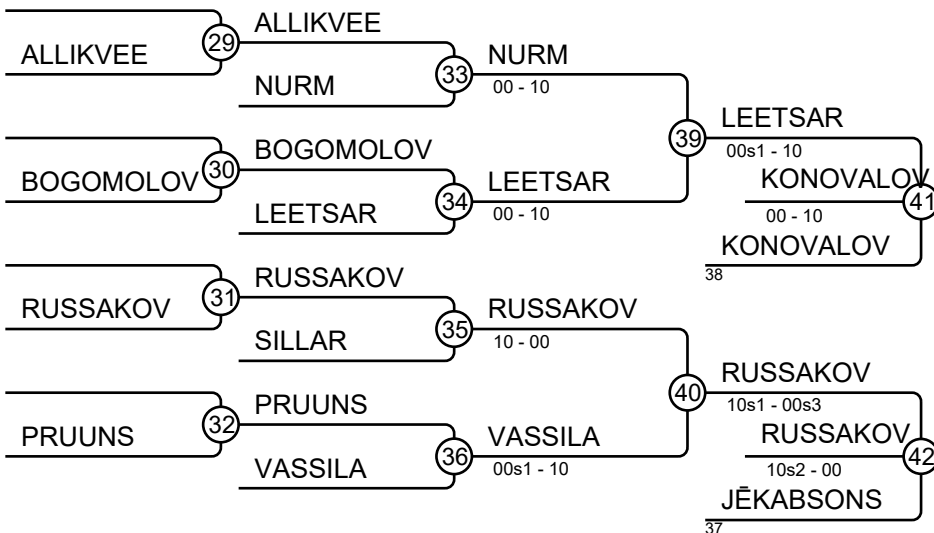
# Keeraku 20/11/2021 Tartu MU14-55

Competitors: 17



## Results

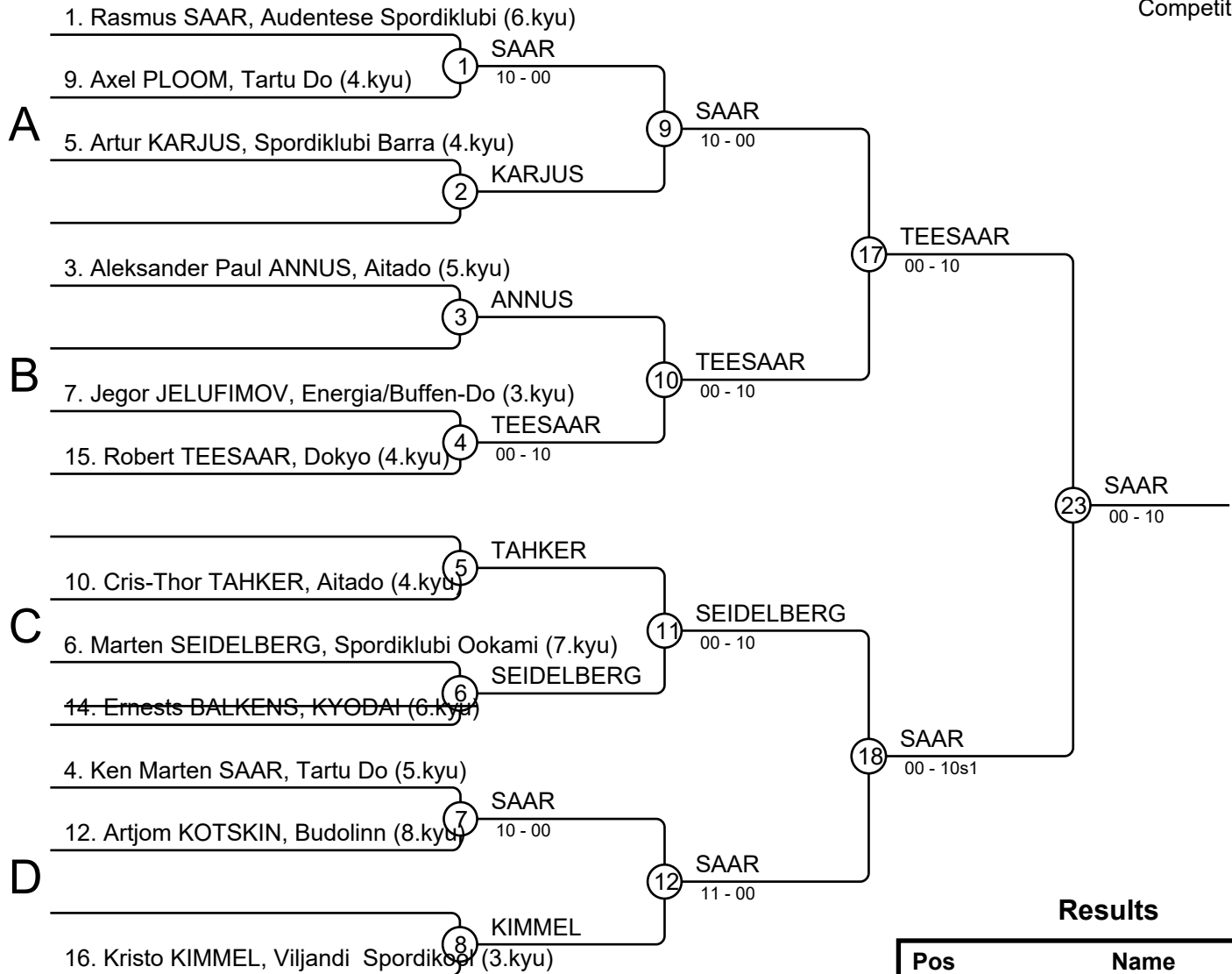
Pos	Name
1	Markuss ZUGICKIS, KYODAI
2	Tits KULLO, FUDOSHIN
3	Richard Johannes KONOVALOV, Audentese Spordiklubi
3	Maksim RUSSAKOV, Tartu Do
5	Kaur LEETSAR, Audentese Spordiklubi
5	Bruno JĚKABSONS, Judo club SALDUS
7	August Martin NURM, Tartu Do
7	Gert VASSILA, Tartu Do





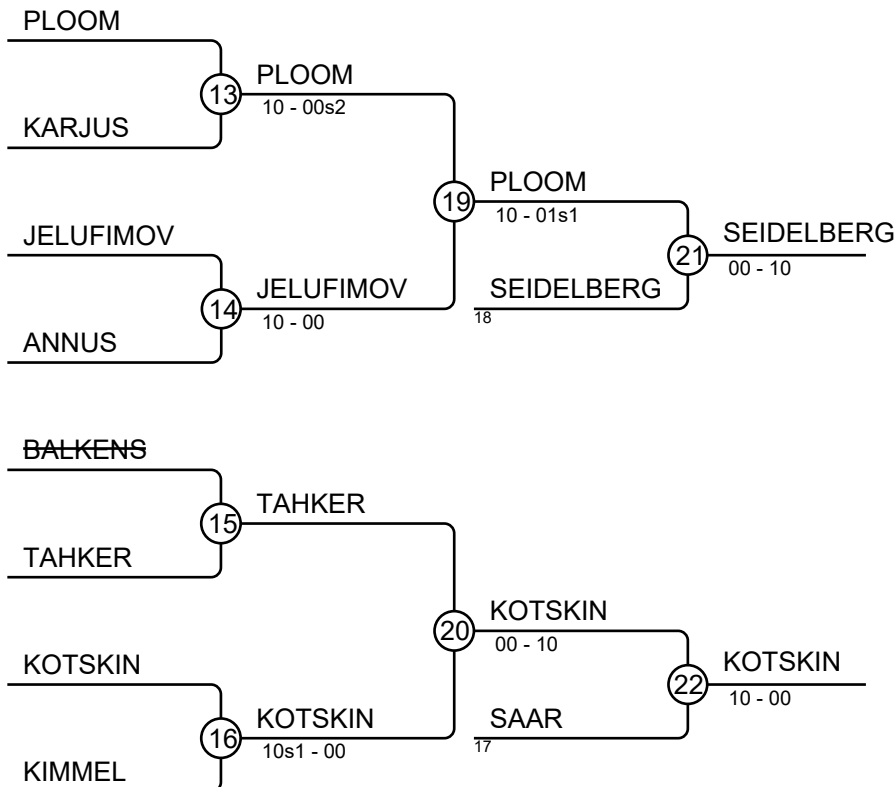
# Keeraku 20/11/2021 Tartu MU14-62

Competitors: 12



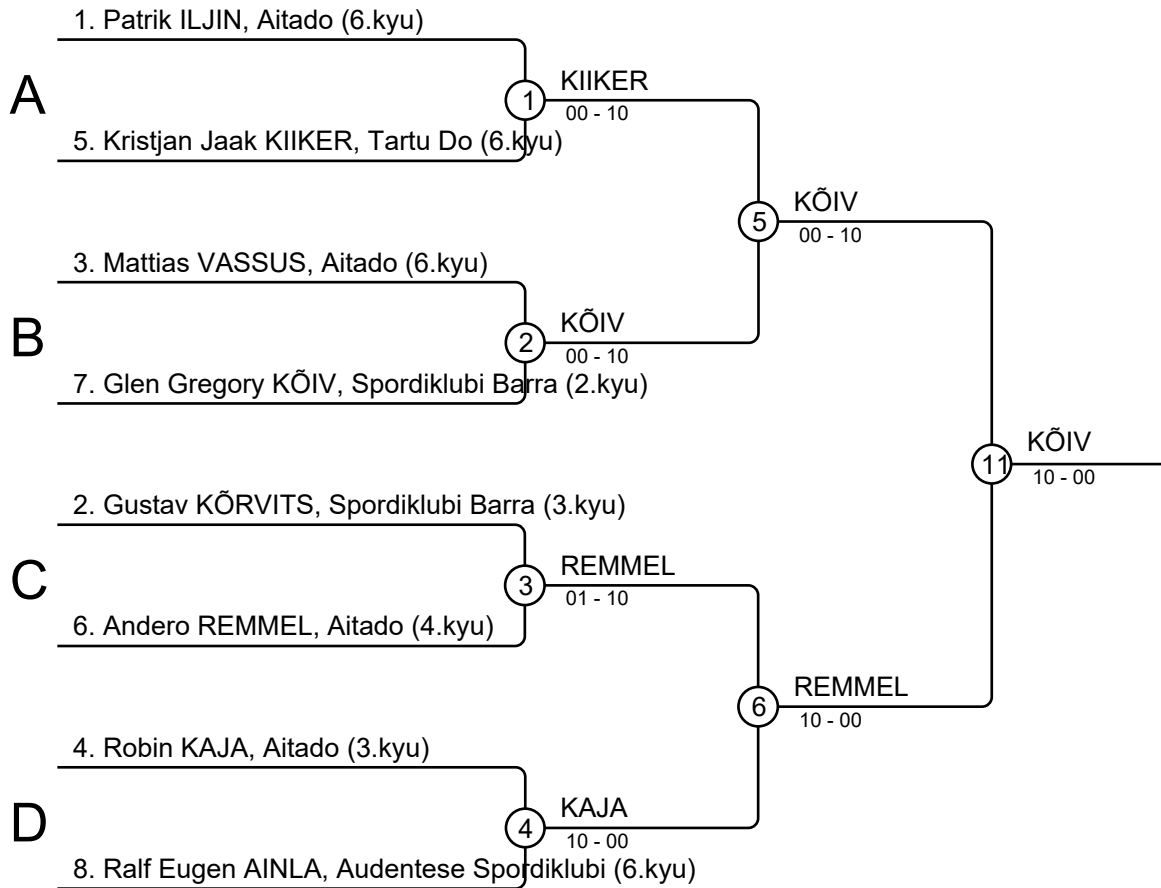
## Results

Pos	Name
1	Ken Marten SAAR, Tartu Do
2	Robert TEESAAR, Dokyo
3	Marten SEIDELBERG, Spordiklubi O
3	Artjom KOTSKIN, Budolinn
5	Axel PLOOM, Tartu Do
5	Rasmus SAAR, Audentese Spordiklu
7	Jegor JELUFIMOV, Energia/Bufen-D
7	Cris-Thor TAHKER, Aitado



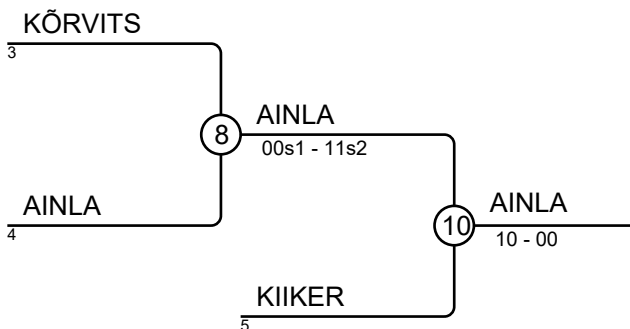
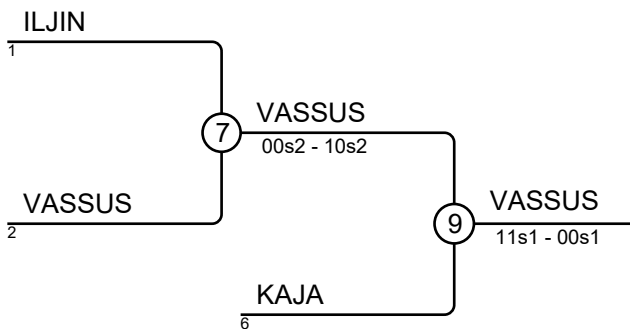
# Keeraku 20/11/2021 Tartu MU14-70

Competitors: 8



## Results

Pos	Name
1	Glen Gregory KÕIV, Spordiklubi Barra
2	Andero REMMEL, Aitado
3	Mattias VASSUS, Aitado
3	Ralf Eugen AINLA, Audentese Spordiklubi
5	Robin KAJA, Aitado
5	Kristjan Jaak KIIKER, Tartu Do
7	Patrik ILJIN, Aitado
7	Gustav KÕRVITS, Spordiklubi Barra



# Keeraku 20/11/2021 Tartu MU16+81

## Competitors

Competitors: 5

#	Name	Grade	Club	1	2	3	4	5	Wins	Pts	Pos
1	Marek-Adrian MÄSAK	6.kyu	Aitado			10			1	10	3
2	Kirill PELIH	4.kyu	Kibuvits Judo	10		10	10	1	4	31	1
3	Huko Pärtel USIN	3.kyu	Spordiklubi Barra				10		1	10	5
4	Romet RAAD	4.kyu	Tartu Do	10					1	10	4
5	Siim EENMA	6.kyu	Dokyo	10		10	10		3	30	2

## Matches

Match	White		Blue	Result	Time
1	Romet RAAD	4	5	Siim EENMA	01s1-10 2:33
2	Marek-Adrian MÄSAK	1	2	Kirill PELIH	00-10 0:27
3	Huko Pärtel USIN	3	4	Romet RAAD	10-01s1 1:55
4	Marek-Adrian MÄSAK	1	5	Siim EENMA	00s1-10s1 1:53
5	Kirill PELIH	2	3	Huko Pärtel USIN	10-00s1 1:53
6	Marek-Adrian MÄSAK	1	4	Romet RAAD	00-10 0:44
7	Huko Pärtel USIN	3	5	Siim EENMA	00-11 1:50
8	Kirill PELIH	2	4	Romet RAAD	11-00 0:48
9	Marek-Adrian MÄSAK	1	3	Huko Pärtel USIN	10-00 0:15
10	Kirill PELIH	2	5	Siim EENMA	01s1-00 3:00

## Results

Pos	Name
1	Kirill PELIH, Kibuvits Judo
2	Siim EENMA, Dokyo
3	Marek-Adrian MÄSAK, Aitado
4	Romet RAAD, Tartu Do
5	Huko Pärtel USIN, Spordiklubi Barra

# Keeraku 20/11/2021 Tartu MU16-42

## Competitors

Competitors: 4

#	Name	Grade	Club	1	2	3	4	Wins	Pts	Pos
1	Mattias ERIKSON	3.kyu	Spordiklubi Barra					0	0	3
2	Taaniel RAUD	2.kyu	Spordiklubi Barra	10				1	10	2
3	Artak AZARUMYAN	6.kyu	Audentese Spordiklubi	10	10		10	2	20	1
4	Vasilii MEDIANTSEV	6.kyu	Audentese Spordiklubi					0	0	4

## Matches

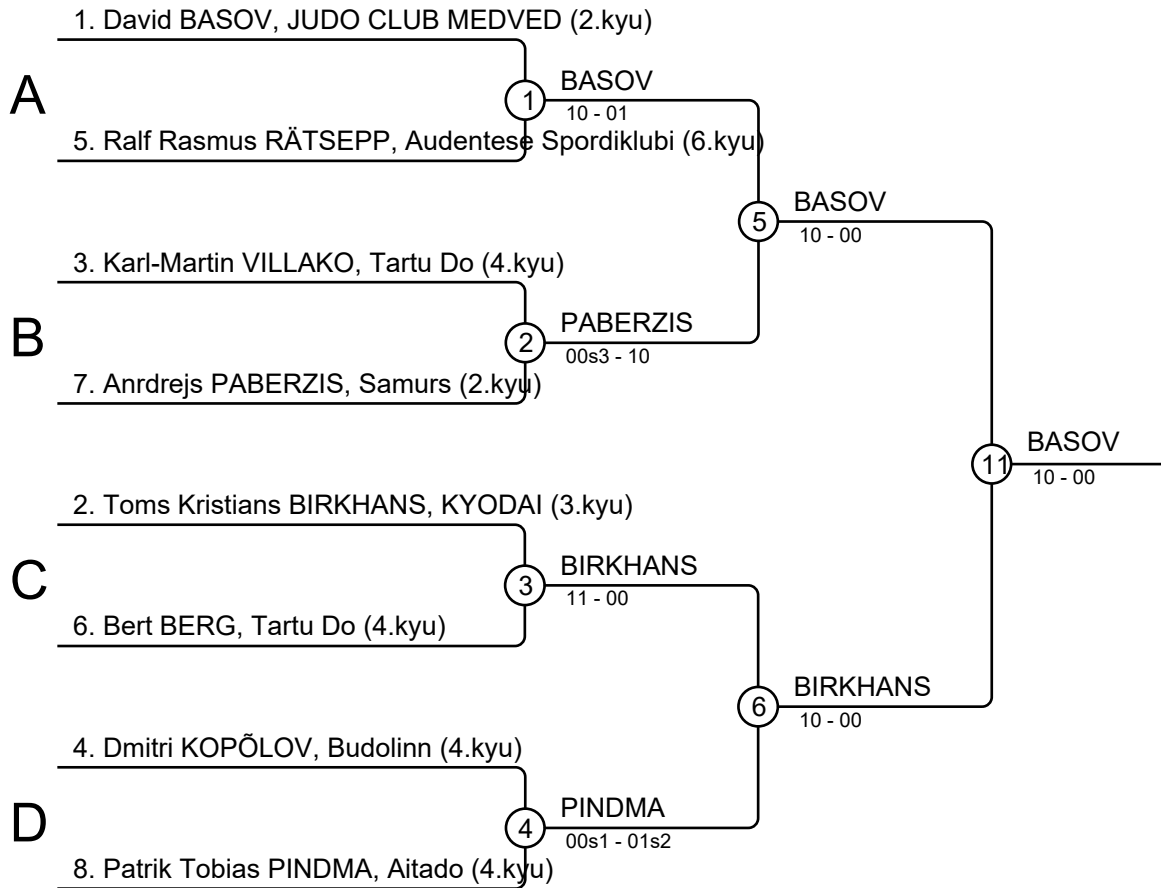
Match	White			Blue	Result	Time
1	Mattias ERIKSON	1	2	Taaniel RAUD	00s1-10	2:21
2	Artak AZARUMYAN	3	4	Vasilii MEDIANTSEV	11-00	0:51
3	Mattias ERIKSON	1	3	Artak AZARUMYAN	00-10	1:11
4	Taaniel RAUD	2	4	Vasilii MEDIANTSEV		
5	Mattias ERIKSON	1	4	Vasilii MEDIANTSEV		
6	Taaniel RAUD	2	3	Artak AZARUMYAN	00-10	1:52

## Results

Pos	Name
1	Artak AZARUMYAN, Audentese Spordiklubi
2	Taaniel RAUD, Spordiklubi Barra
3	Mattias ERIKSON, Spordiklubi Barra
4	Vasilii MEDIANTSEV, Audentese Spordiklubi

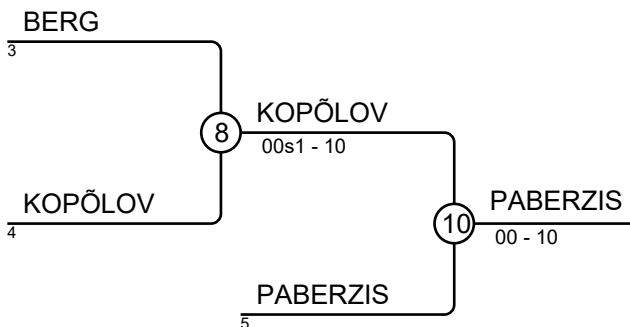
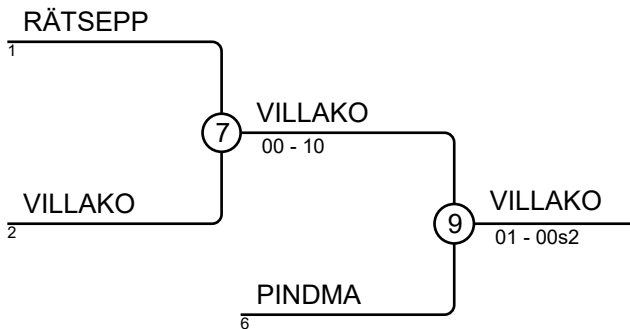
# Keeraku 20/11/2021 Tartu MU16-46

Competitors: 8



## Results

Pos	Name
1	David BASOV, JUDO CLUB MEDVED
2	Toms Kristians BIRKHANS, KYODAI
3	Karl-Martin VILLAKO, Tartu Do
3	Andrejs PABERZIS, Samurs
5	Patrik Tobias PINDMA, Aitado
5	Dmitri KOPÕLOV, Budolinn
7	Ralf Rasmus RÄTSEPP, Audentese S
7	Bert BERG, Tartu Do



# Keeraku 20/11/2021 Tartu MU16-50

## Competitors

Competitors: 5

#	Name	Grade	Club	1	2	3	4	5	Wins	Pts	Pos
1	Dmitri BOSSAK	4.kyu	Dodze		10	10			2	20	3
2	Islam BAISHULAKOV	8.kyu	Budolinn			10			1	10	4
3	Hendrik LAAR	6.kyu	Spordiklubi Barra						0	0	5
4	Filipp STSEKOTIN	6.kyu	Audentese Spordiklubi	10	10	10			3	30	2
5	Volodimir LAVRINJOV	4.kyu	Audentese Spordiklubi	10	10	10	1		4	31	1

## Matches

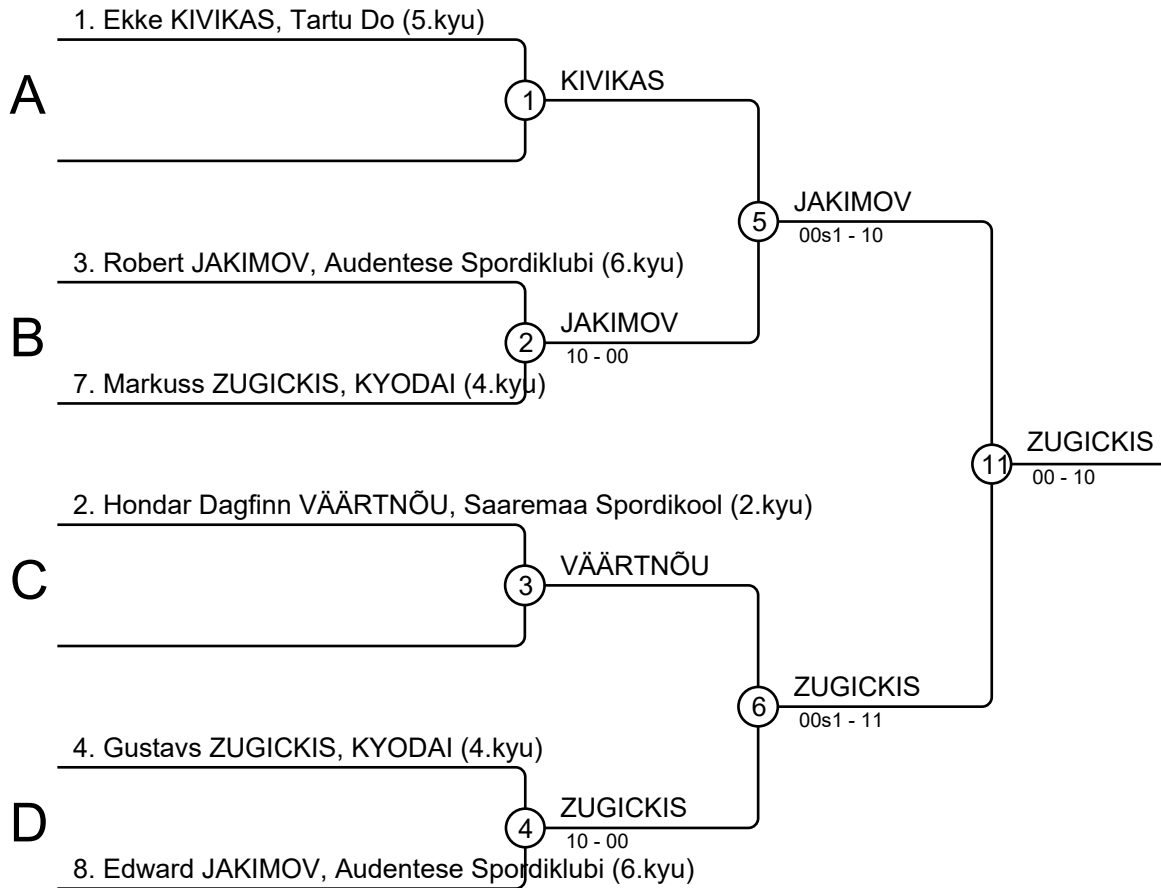
Match	White			Blue	Result	Time
1	Filipp STSEKOTIN	4	5	Volodimir LAVRINJOV	00s1-01s2	3:00
2	Dmitri BOSSAK	1	2	Islam BAISHULAKOV	10-00	0:31
3	Hendrik LAAR	3	4	Filipp STSEKOTIN	00-10	0:09
4	Dmitri BOSSAK	1	5	Volodimir LAVRINJOV	00-10	0:40
5	Islam BAISHULAKOV	2	3	Hendrik LAAR	10-00	0:33
6	Dmitri BOSSAK	1	4	Filipp STSEKOTIN	00-11	0:47
7	Hendrik LAAR	3	5	Volodimir LAVRINJOV	00-10	0:45
8	Islam BAISHULAKOV	2	4	Filipp STSEKOTIN	00-11	1:16
9	Dmitri BOSSAK	1	3	Hendrik LAAR	10-00	0:06
10	Islam BAISHULAKOV	2	5	Volodimir LAVRINJOV	00-10s1	0:27

## Results

Pos	Name
1	Volodimir LAVRINJOV, Audentese Spordiklubi
2	Filipp STSEKOTIN, Audentese Spordiklubi
3	Dmitri BOSSAK, Dodze
4	Islam BAISHULAKOV, Budolinn
5	Hendrik LAAR, Spordiklubi Barra

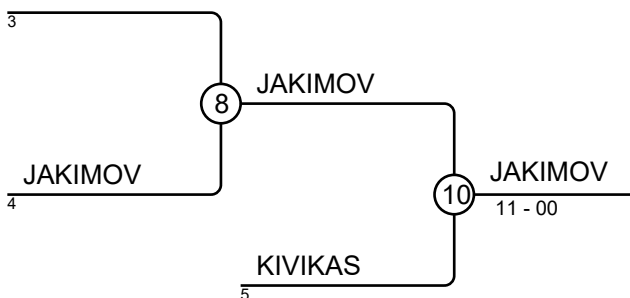
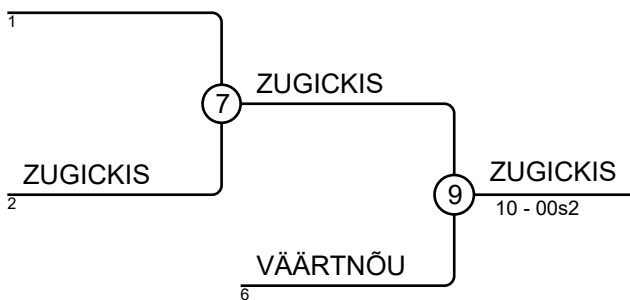
# Keeraku 20/11/2021 Tartu MU16-55

Competitors: 6



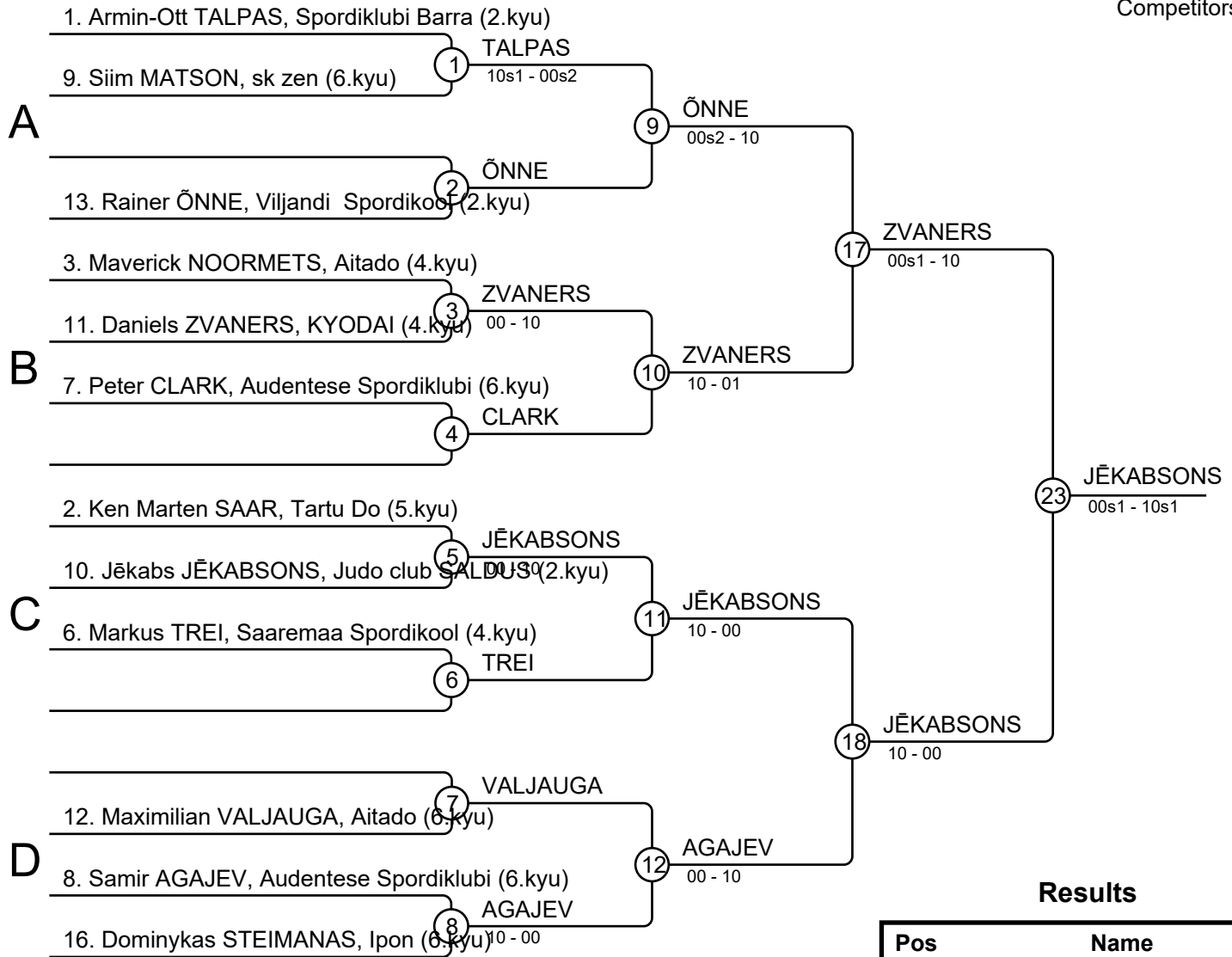
## Results

Pos	Name
1	Gustavs ZUGICKIS, KYODAI
2	Robert JAKIMOV, Audentese Spordiklubi (6.kyu)
3	Markuss ZUGICKIS, KYODAI
3	Edward JAKIMOV, Audentese Spordiklubi (6.kyu)
5	Hondar Dagfinn VÄÄRTNÕU, Saaremaa Spordikool (2.kyu)
5	Ekke KIVIKAS, Tartu Do
7	
7	



# Keeraku 20/11/2021 Tartu MU16-60

Competitors: 12



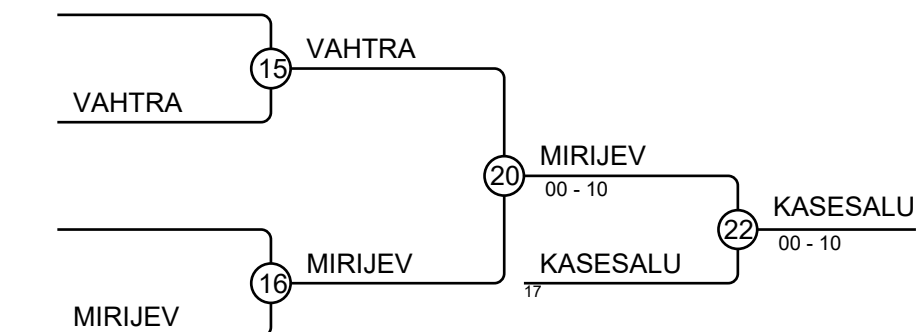
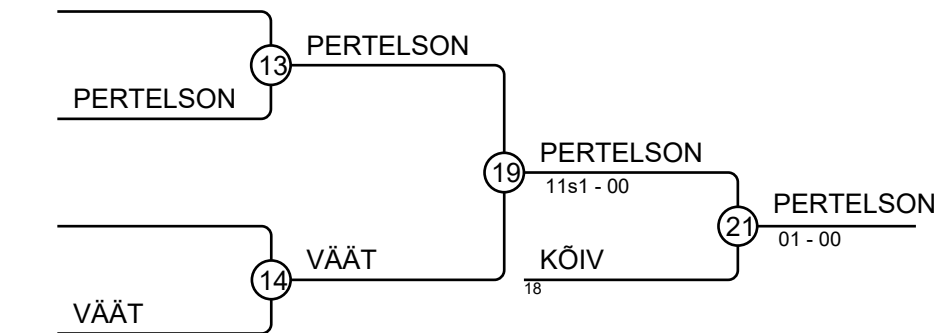
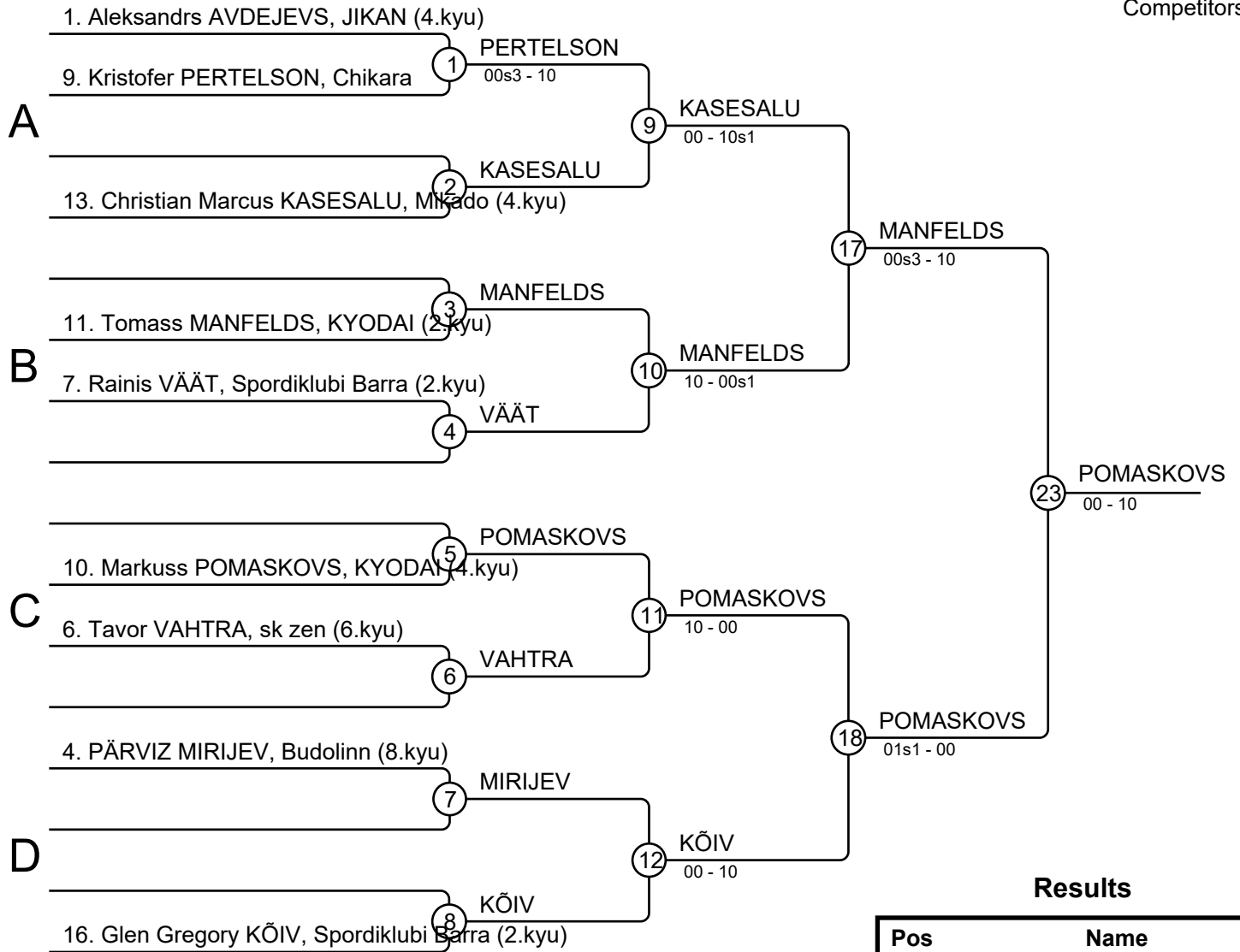
## Results

Pos	Name
1	Jēkabs JĒKABSONS, Judo club SALDUS
2	Daniels ZVANERS, KYODAI
3	Samir AGAJEV, Audentese Spordiklubi
3	Rainer ÕNNE, Viljandi Spordikool
5	Peter CLARK, Audentese Spordiklubi
5	Ken Marten SAAR, Tartu Do
7	Armin-Ott TALPAS, Spordiklubi Barra
7	Dominykas STEIMANAS, Ipon



# Keeraku 20/11/2021 Tartu MU16-66

Competitors: 9

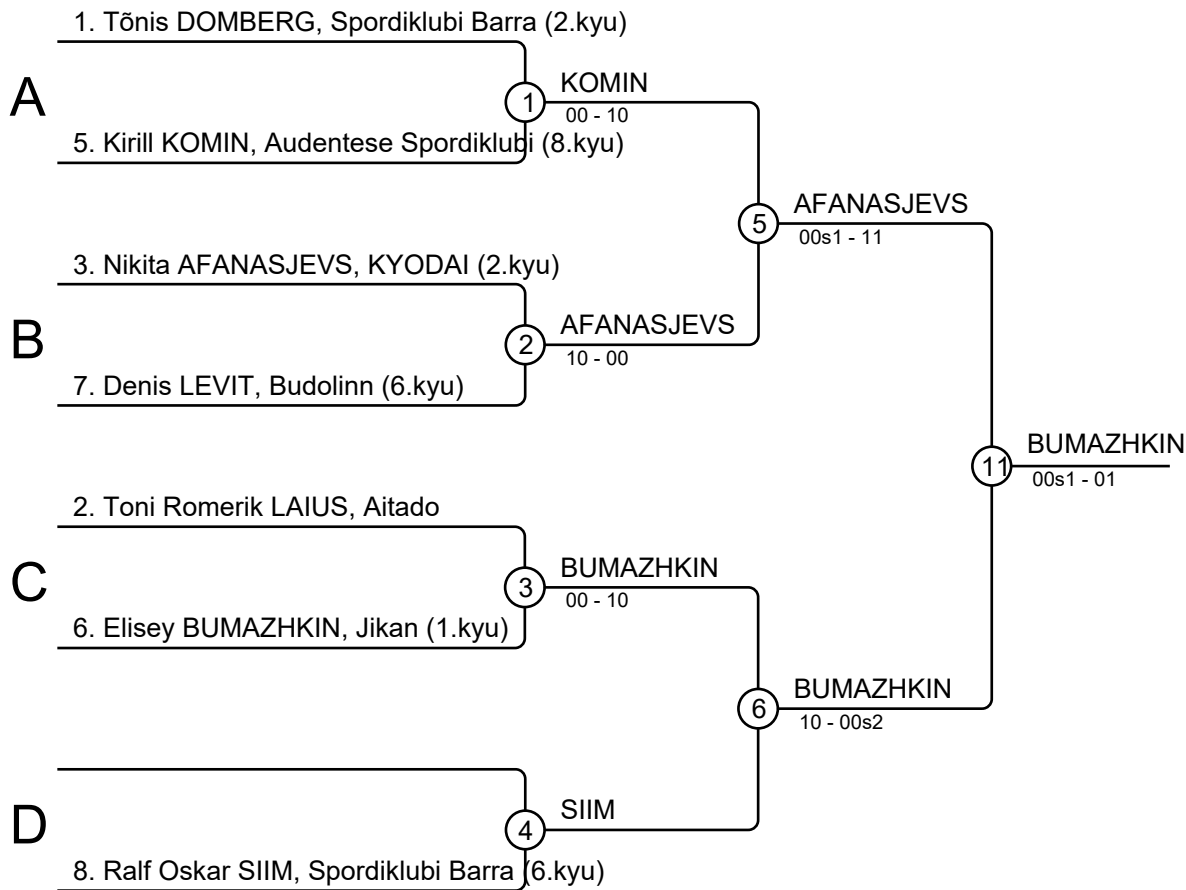


## Results

Pos	Name
1	Markuss POMASKOVS, KYODAI
2	Tomass MANFELDS, KYODAI
3	Kristofer PERTELSON, Chikara
3	Christian Marcus KASESALU, Mikado
5	Glen Gregory KÕIV, Spordiklubi Barra
5	PÄRVIZ MIRIJEV, Budolinn
7	Rainis VÄÄT, Spordiklubi Barra
7	Tavor VAHTRA, sk zen

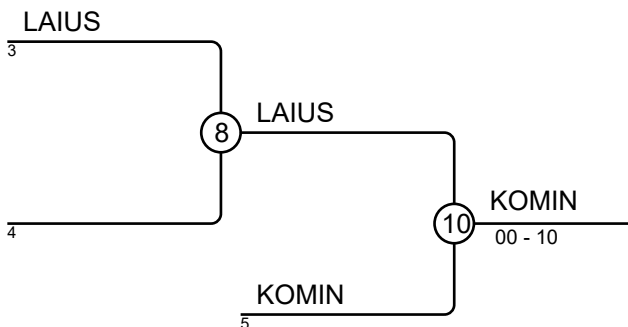
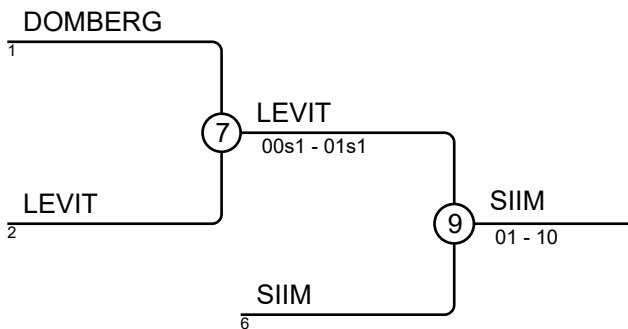
# Keeraku 20/11/2021 Tartu MU16-73

Competitors: 7



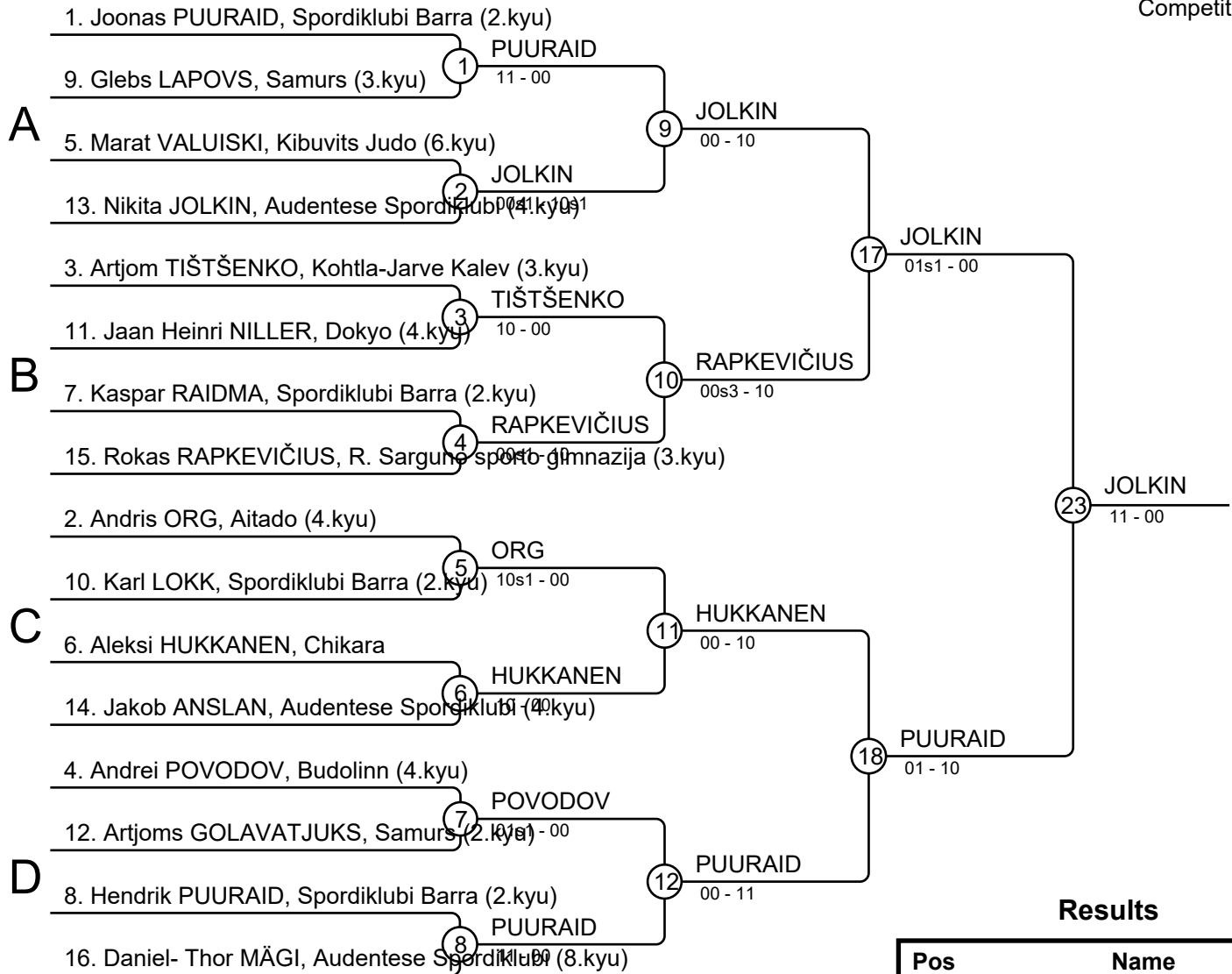
## Results

Pos	Name
1	Elisey BUMAZHKIN, Jikan
2	Nikita AFANASJEVS, KYODAI
3	Ralf Oskar SIIM, Spordiklubi Barra
3	Kirill KOMIN, Audentese Spordiklubi
5	Denis LEVIT, Budolinn
5	Toni Romerik LAIUS, Aitado
7	Tõnis DOMBERG, Spordiklubi Barra
7	



# Keeraku 20/11/2021 Tartu MU16-81

Competitors: 16



## Results

Pos	Name
1	Nikita JOLKIN, Audentese Spordiklubi Barra
2	Hendrik PUURAIID, Spordiklubi Barra
3	Aleksi HUKKANEN, Chikara
3	Andris ORG, Aitado
5	Artjom TIŠTŠENKO, Kohtla-Jarve Kalev
5	Rokas RAPKEVIČIUS, R. Sarguno spordiklubi-gimnazija
7	Joonas PUURAIID, Spordiklubi Barra
7	Andrei POVODOV, Budolinn

# Keeraku 20/11/2021 Tartu MU18+90

## Competitors

Competitors: 4

#	Name	Grade	Club	1	2	3	4	Wins	Pts	Pos
1	Kabriel KIRNA	3.kyu	Tartu Do		10		10	2	20	2
2	Kasper SUUR	4.kyu	Tartu Do				10	1	10	3
3	Janis STRAZDINS	2.kyu	Samurs	10	10		10	3	30	1
4	Alexander LYUBIMOV	4.kyu	Dodze					0	0	4

## Matches

Match	White			Blue	Result	Time
1	Kabriel KIRNA	1	2	Kasper SUUR	10-00	2:18
2	Janis STRAZDINS	3	4	Alexander LYUBIMOV	11-00	0:55
3	Kabriel KIRNA	1	3	Janis STRAZDINS	00-10	1:48
4	Kasper SUUR	2	4	Alexander LYUBIMOV	10s1-00s1	1:19
5	Kabriel KIRNA	1	4	Alexander LYUBIMOV	10-00	0:17
6	Kasper SUUR	2	3	Janis STRAZDINS	00-10	1:02

## Results

Pos	Name
1	Janis STRAZDINS, Samurs
2	Kabriel KIRNA, Tartu Do
3	Kasper SUUR, Tartu Do
4	Alexander LYUBIMOV, Dodze

# Keeraku 20/11/2021 Tartu MU18-50

## Competitors

Competitors: 1

#	Name	Grade	Club	1	Wins	Pts	Pos
1	Filipp STSEKOTIN	6.kyu	Audentese Spordiklubi		0	0	1

## Matches

Match	White	Blue	Result	Time
-------	-------	------	--------	------

## Results

Pos	Name
1	Filipp STSEKOTIN, Audentese Spordiklubi

# Keeraku 20/11/2021 Tartu MU18-55

## Competitors

Competitors: 5

#	Name	Grade	Club	1	2	3	4	5	Wins	Pts	Pos
1	Vjatseslav ZUJEV	6.kyu	Energia/Buffer-Do						0	0	5
2	Krisjanis CERS	2.kyu	KYODAI	10					1	10	4
3	Gustavs ZUGICKIS	4.kyu	KYODAI	10	10		10	10	4	40	1
4	Edward JAKIMOV	6.kyu	Audentese Spordiklubi	10	10			10	3	30	2
5	Robert JAKIMOV	6.kyu	Audentese Spordiklubi	10	10				2	20	3

## Matches

Match	White			Blue	Result	Time
1	Edward JAKIMOV	4	5	Robert JAKIMOV	10-00	0:27
2	Vjatseslav ZUJEV	1	2	Krisjanis CERS	00-10	0:07
3	Gustavs ZUGICKIS	3	4	Edward JAKIMOV	10-00	1:15
4	Vjatseslav ZUJEV	1	5	Robert JAKIMOV	00-10	0:27
5	Krisjanis CERS	2	3	Gustavs ZUGICKIS	00s1-10	1:34
6	Vjatseslav ZUJEV	1	4	Edward JAKIMOV	00-10	0:20
7	Gustavs ZUGICKIS	3	5	Robert JAKIMOV	10-00	1:13
8	Krisjanis CERS	2	4	Edward JAKIMOV	00-10	0:33
9	Vjatseslav ZUJEV	1	3	Gustavs ZUGICKIS	00-10	0:15
10	Krisjanis CERS	2	5	Robert JAKIMOV	00-10	0:17

## Results

Pos	Name
1	Gustavs ZUGICKIS, KYODAI
2	Edward JAKIMOV, Audentese Spordiklubi
3	Robert JAKIMOV, Audentese Spordiklubi
4	Krisjanis CERS, KYODAI
5	Vjatseslav ZUJEV, Energia/Buffer-Do

# Keeraku 20/11/2021 Tartu MU18-60

## Competitors

Competitors: 5

#	Name	Grade	Club	1	2	3	4	5	Wins	Pts	Pos
1	Vjatšeslav ZAHHAROV	3.kyu	Kibuvits Judo		10		10		2	20	3
2	Andry AAVAST	3.kyu	Spordiklubi Barra						0	0	5
3	Jēkabs JĒKABSONS	2.kyu	Judo club SALDUS	10	10		10		3	30	2
4	Kaspar GUTMANN	2.kyu	Tartu Do		10				1	10	4
5	Mukhammad ABUBAKAROV	4.kyu	Tartu Do	10	10	1	10		4	31	1

## Matches

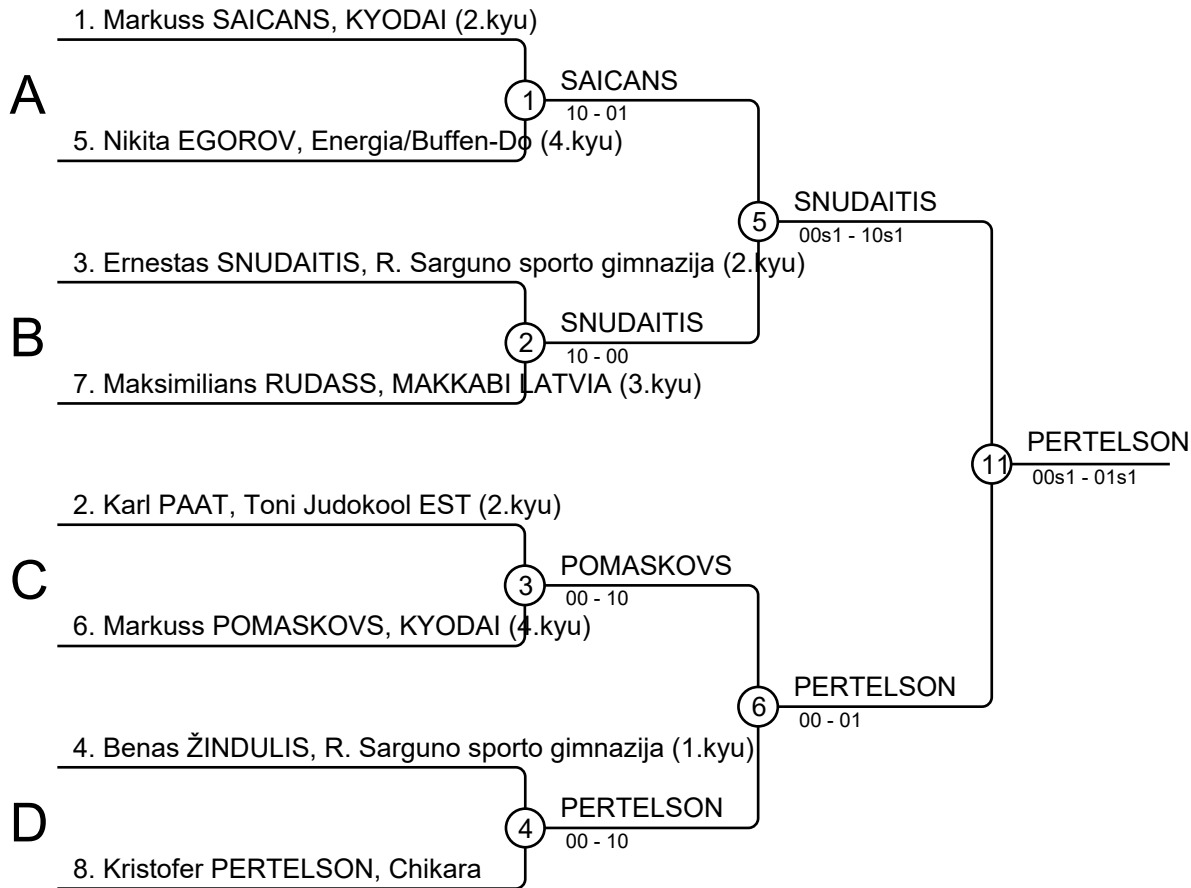
Match	White			Blue	Result	Time
1	Kaspar GUTMANN	4	5	Mukhammad ABUBAKAROV	00s1-10	3:20
2	Vjatšeslav ZAHHAROV	1	2	Andry AAVAST	10-00	0:11
3	Jēkabs JĒKABSONS	3	4	Kaspar GUTMANN	11-00	0:52
4	Vjatšeslav ZAHHAROV	1	5	Mukhammad ABUBAKAROV	00s1-10s1	2:48
5	Andry AAVAST	2	3	Jēkabs JĒKABSONS	00-10	0:49
6	Vjatšeslav ZAHHAROV	1	4	Kaspar GUTMANN	10-00	1:01
7	Jēkabs JĒKABSONS	3	5	Mukhammad ABUBAKAROV	00s2-01s1	5:11
8	Andry AAVAST	2	4	Kaspar GUTMANN	00-10	0:58
9	Vjatšeslav ZAHHAROV	1	3	Jēkabs JĒKABSONS	00-10	0:58
10	Andry AAVAST	2	5	Mukhammad ABUBAKAROV	00-10	0:37

## Results

Pos	Name
1	Mukhammad ABUBAKAROV, Tartu Do
2	Jēkabs JĒKABSONS, Judo club SALDUS
3	Vjatšeslav ZAHHAROV, Kibuvits Judo
4	Kaspar GUTMANN, Tartu Do
5	Andry AAVAST, Spordiklubi Barra

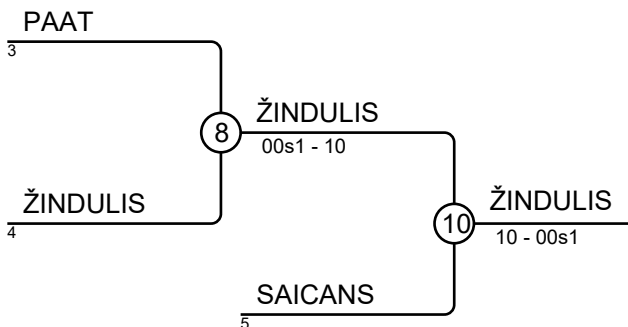
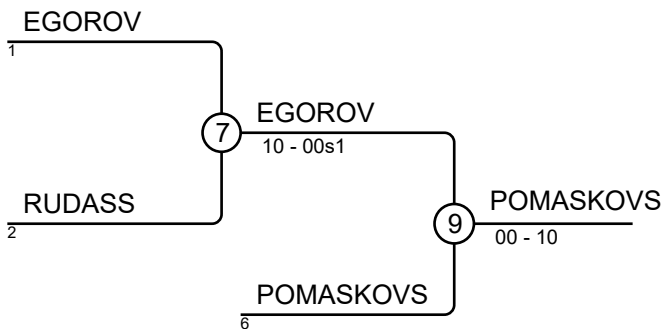
# Keeraku 20/11/2021 Tartu MU18-66

Competitors: 8



## Results

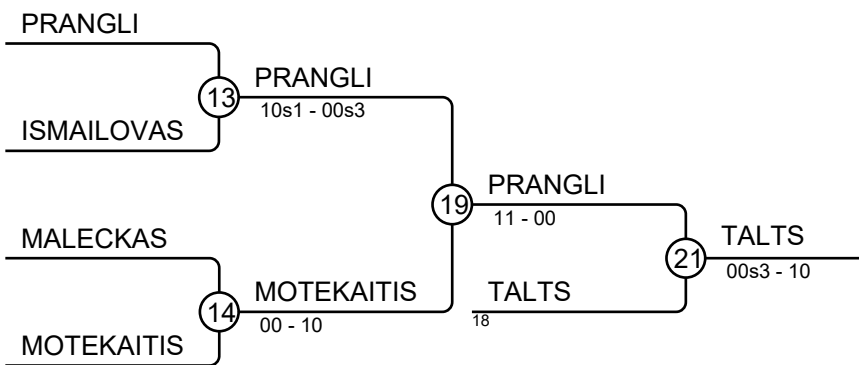
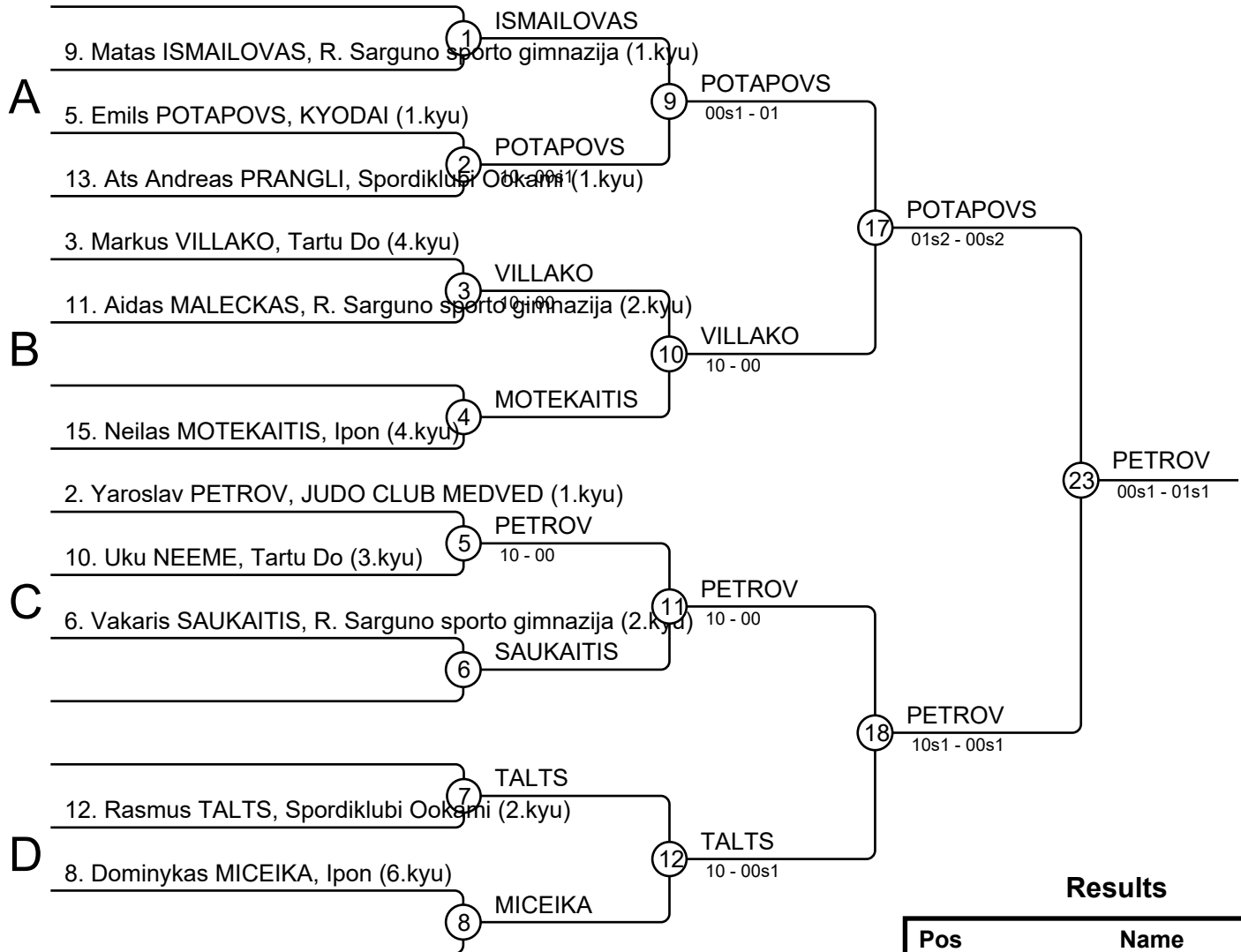
Pos	Name
1	Kristofer PERTELSON, Chikara
2	Ernestas SNUDAITIS, R. Sarguno sporto gimnazija
3	Markuss POMASKOVS, KYODAI
3	Benas ŽINDULIS, R. Sarguno sporto gimnazija
5	Nikita EGOROV, Energia/Buffer-Do
5	Markuss SAICANS, KYODAI
7	Maksimilians RUDASS, MAKKABI LATVIA
7	Karl PAAT, Toni Judokool EST





# Keeraku 20/11/2021 Tartu MU18-73

Competitors: 11

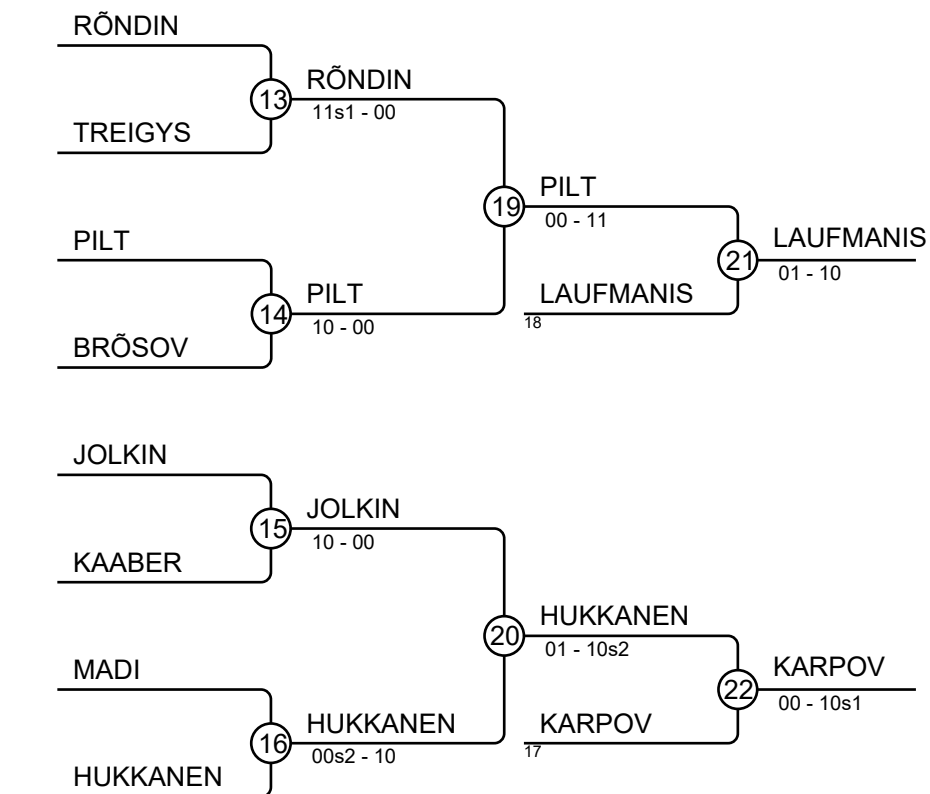
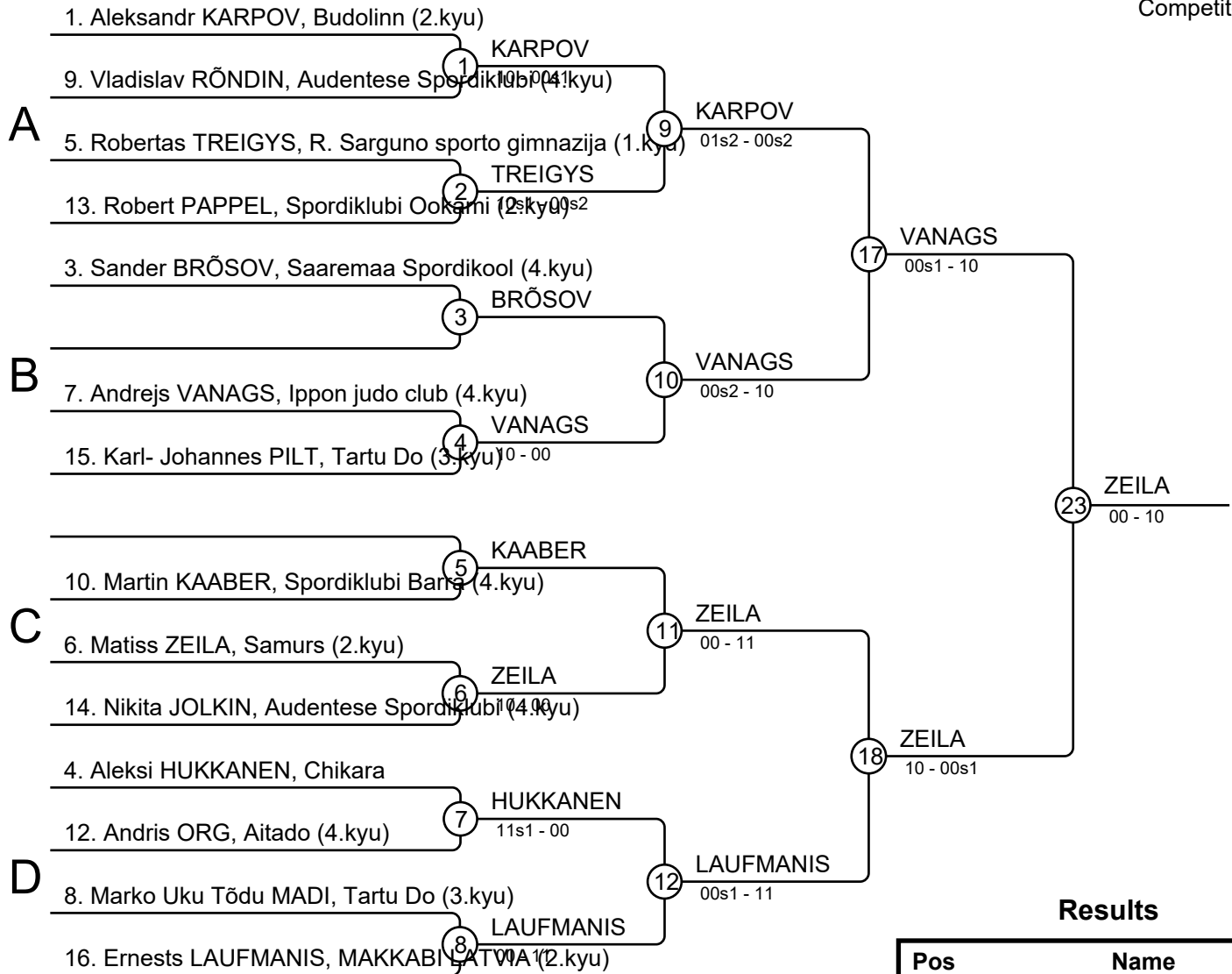


## Results

Pos	Name
1	Yaroslav PETROV, JUDO CLUB MEDVED
2	Emils POTAPOVS, KYODAI
3	Rasmus TALTS, Spordiklubi Ookami
3	Markus VILLAKO, Tartu Do
5	Ats Andreas PRANGLI, Spordiklubi O
5	Uku NEEME, Tartu Do
7	Neilas MOTEKAITIS, Ipon
7	Dominykas MICEIKA, Ipon

# Keeraku 20/11/2021 Tartu MU18-81

Competitors: 14



## Results

Pos	Name
1	Matiss ZEILA, Samurs
2	Andrejs VANAGS, Ippon judo club
3	Ernests LAUFMANIS, MAKKABI LATVA
3	Aleksandr KARPOV, Budolinn
5	Karl- Johannes PILT, Tartu Do
5	Aleksi HUKKANEN, Chikara
7	Vladislav RÕNDIN, Audentese Spordiklubi
7	Nikita JOLKIN, Audentese Spordiklubi

# Keeraku 20/11/2021 Tartu MU18-90

## Competitors

Competitors: 4

#	Name	Grade	Club	1	2	3	4	Wins	Pts	Pos
1	Jakob VARES	3.kyu	Tartu Do		10	10	10	3	30	1
2	Jari-Matti SALONEN	4.kyu	Tartu Do			10		1	10	3
3	Krister Kermo TARU	3.kyu	sk zen					0	0	4
4	Marten VINGISAAR	1.kyu	Spordiklubi Ookami		10	10		2	20	2

## Matches

Match	White			Blue	Result	Time
1	Jakob VARES	1	2	Jari-Matti SALONEN	10-00	0:22
2	Krister Kermo TARU	3	4	Marten VINGISAAR	00-10	0:54
3	Jakob VARES	1	3	Krister Kermo TARU	10-00	1:01
4	Jari-Matti SALONEN	2	4	Marten VINGISAAR	00-11	2:03
5	Jakob VARES	1	4	Marten VINGISAAR	10-01s1	2:33
6	Jari-Matti SALONEN	2	3	Krister Kermo TARU	10-00s1	1:35

## Results

Pos	Name
1	Jakob VARES, Tartu Do
2	Marten VINGISAAR, Spordiklubi Ookami
3	Jari-Matti SALONEN, Tartu Do
4	Krister Kermo TARU, sk zen

# Keeraku 20/11/2021 Tartu UU10+40

## Competitors

Competitors: 3

#	Name	Grade	Club	1	2	3	Wins	Pts	Pos
1	Karl-Sander JÄRVIK	8.kyu	Dokyo				0	0	3
2	Joosep SAAREMETS	?	Aitado	10			1	10	2
3	Kaur Jakob PORT	8.kyu	Spordiklubi Barra	10	10		2	20	1

## Matches

Match	White			Blue	Result	Time
1	Karl-Sander JÄRVIK	1	2	Joosep SAAREMETS	00-10	0:46
2	Karl-Sander JÄRVIK	1	3	Kaur Jakob PORT	00-10	0:07
3	Joosep SAAREMETS	2	3	Kaur Jakob PORT	00-10	0:36

## Results

Pos	Name
1	Kaur Jakob PORT, Spordiklubi Barra
2	Joosep SAAREMETS, Aitado
3	Karl-Sander JÄRVIK, Dokyo

# Keeraku 20/11/2021 Tartu UU10-23

## Competitors

Competitors: 2

#	Name	Grade	Club	1	2	1	2	1	2	Wins	Pts	Pos
1	Andrei MEDVEDEV	?	JUDO CLUB MEDVED		10		10			2	20	1
2	Erik GUHSE	8.kyu	Tartu Do							0	0	2

## Matches

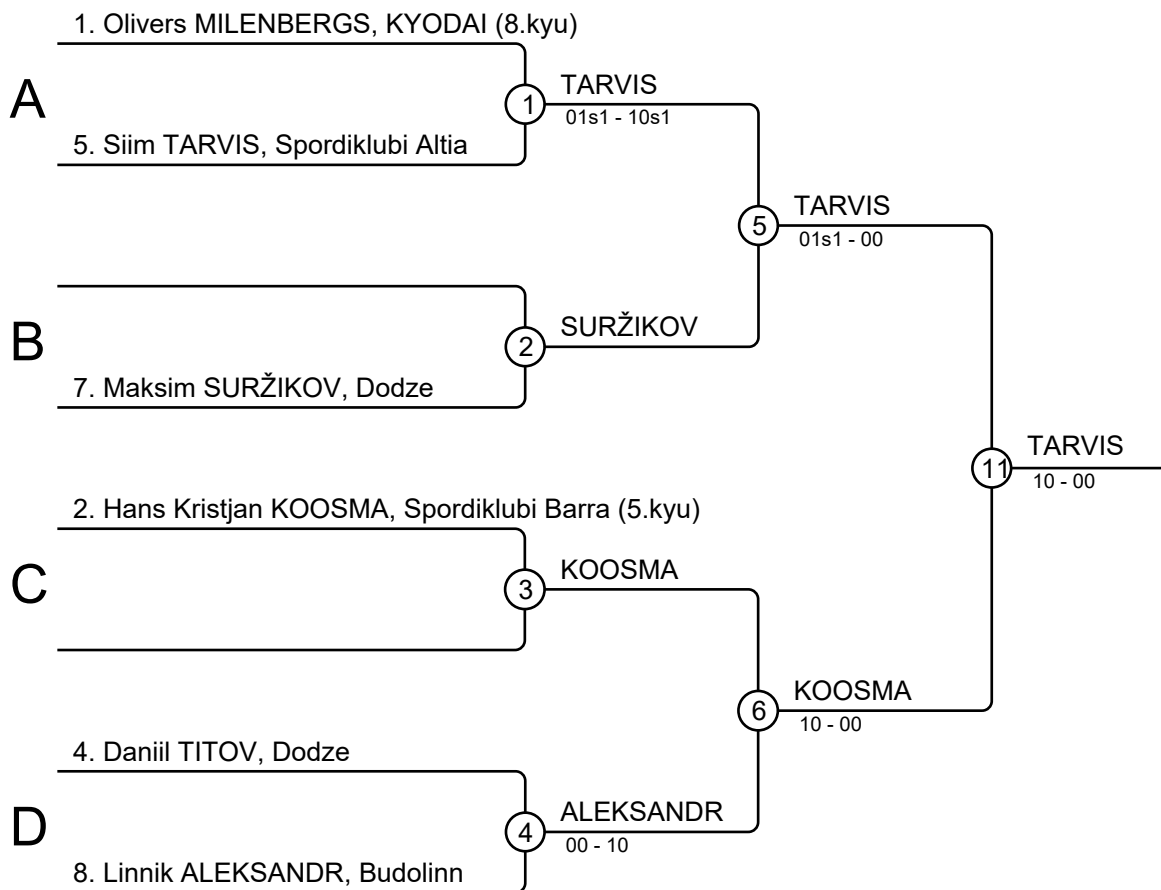
Match	White			Blue	Result	Time
1	Andrei MEDVEDEV	1	2	Erik GUHSE	11-00	0:51
2	Andrei MEDVEDEV	1	2	Erik GUHSE	10-00	0:25
3	Andrei MEDVEDEV	1	2	Erik GUHSE		

## Results

Pos	Name
1	Andrei MEDVEDEV, JUDO CLUB MEDVED
2	Erik GUHSE, Tartu Do

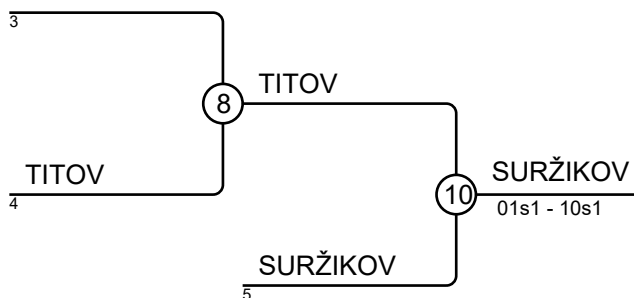
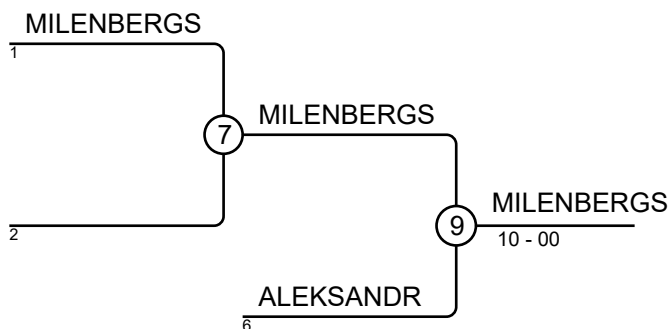
# Keeraku 20/11/2021 Tartu UU10-26

Competitors: 6



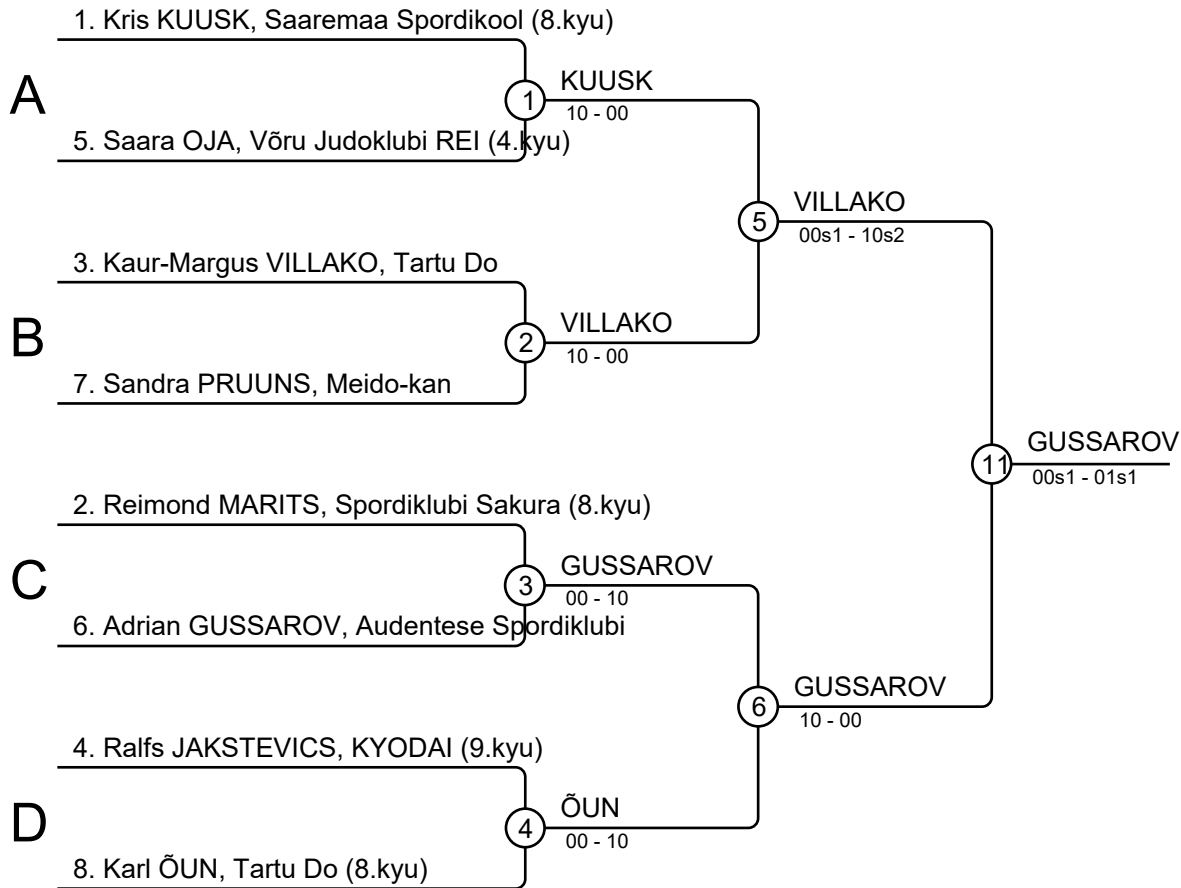
## Results

Pos	Name
1	Siim TARVIS, Spordiklubi Altia
2	Hans Kristjan KOOSMA, Spordiklubi Barra
3	Olivers MILENBERGS, KYODAI
3	Maksim SURŽIKOV, Dodze
5	Linnik ALEKSANDR, Budolinn
5	Daniil TITOV, Dodze
7	
7	



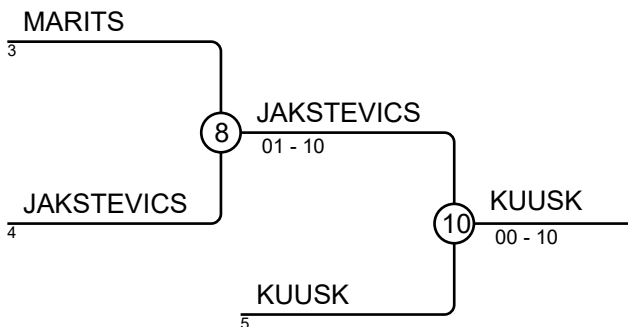
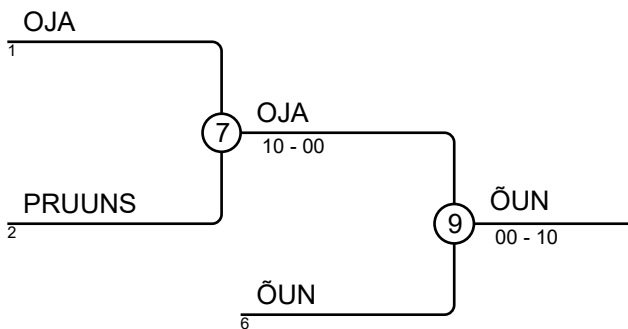
# Keeraku 20/11/2021 Tartu UU10-29

Competitors: 8



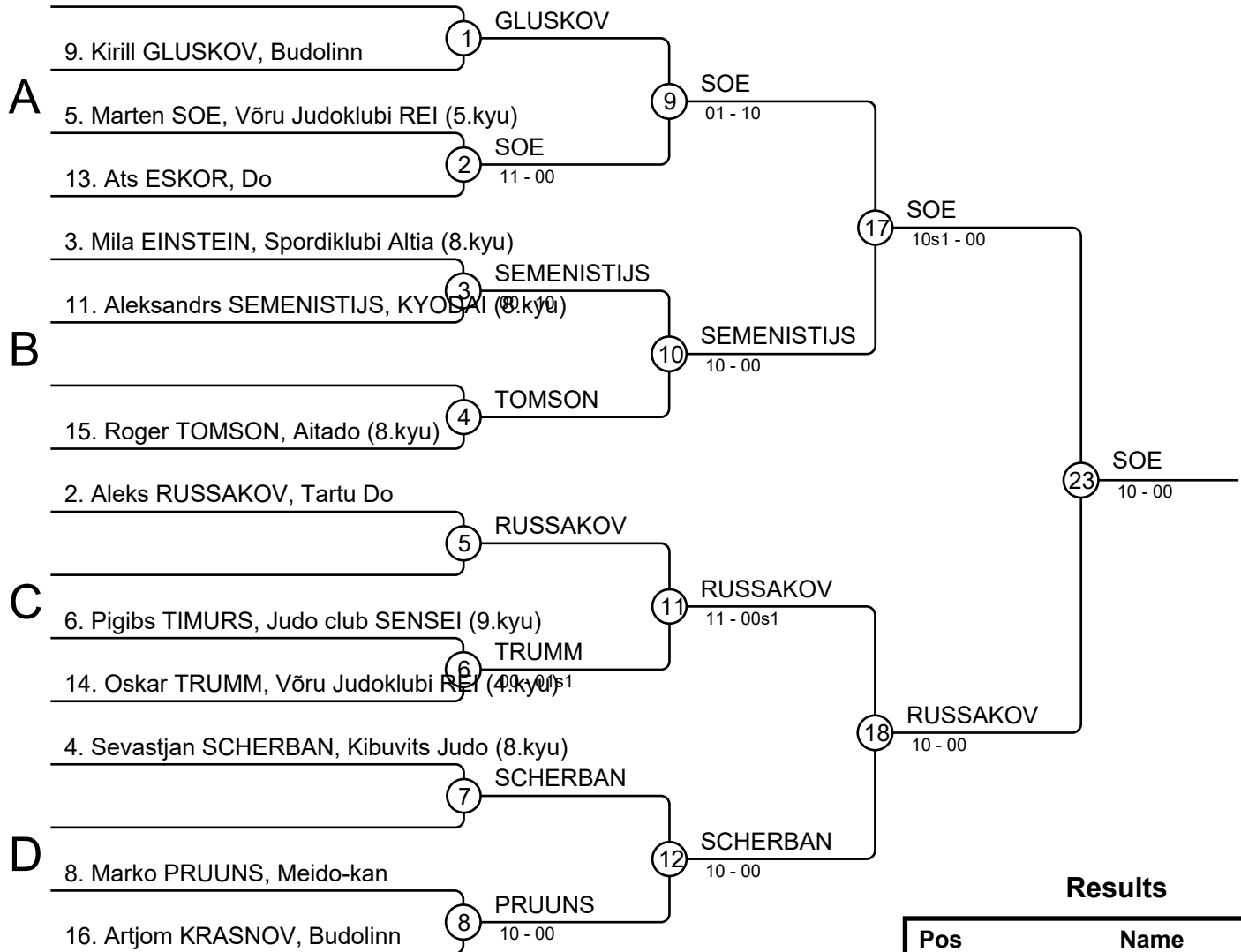
## Results

Pos	Name
1	Adrian GUSSAROV, Audentese Spordiklubi
2	Kaur-Margus VILLAKO, Tartu Do
3	Karl ÕUN, Tartu Do
3	Kris KUUSK, Saaremaa Spordikool
5	Saara OJA, Võru Judoklubi REI
5	Ralfs JAKSTEVICS, KYODAI
7	Sandra PRUUNS, Meido-kan
7	Reimond MARITS, Spordiklubi Sakura



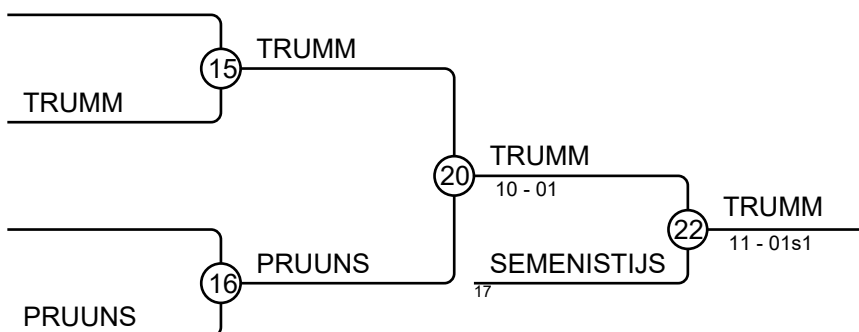
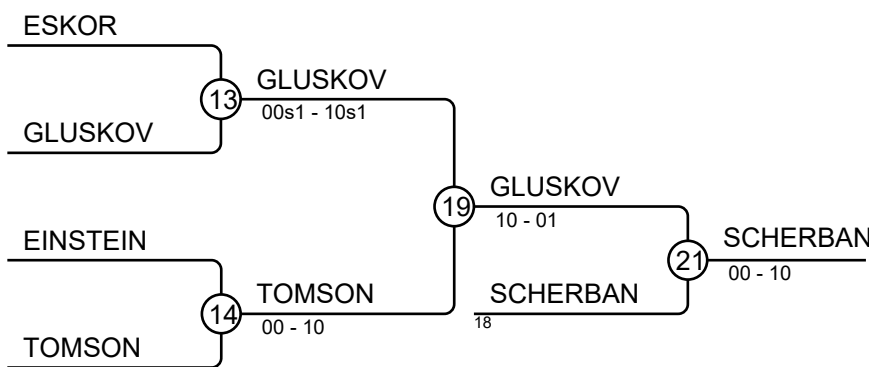
# Keeraku 20/11/2021 Tartu UU10-32

Competitors: 12



## Results

Pos	Name
1	Marten SOE, Võru Judoklubi REI
2	Aleks RUSSAKOV, Tartu Do
3	Sevastjan SCHERBAN, Kibuvits Judo
3	Oskar TRUMM, Võru Judoklubi REI
5	Kirill GLUSKOV, Budolinn
5	Aleksandrs SEMENISTIJS, KYODAI
7	Roger TOMSON, Aitado
7	Marko PRUUNS, Meido-kan





# Keeraku 20/11/2021 Tartu UU10-35

## Competitors

Competitors: 3

#	Name	Grade	Club	1	2	3	Wins	Pts	Pos
1	Alex BOIKOV	?	Dodze			10	1	10	2
2	Art ARIVA	?	Spordiklubi Altia	10		10	2	20	1
3	Trevon TEDREKIN	8.kyu	Spordiklubi Sakura				0	0	3

## Matches

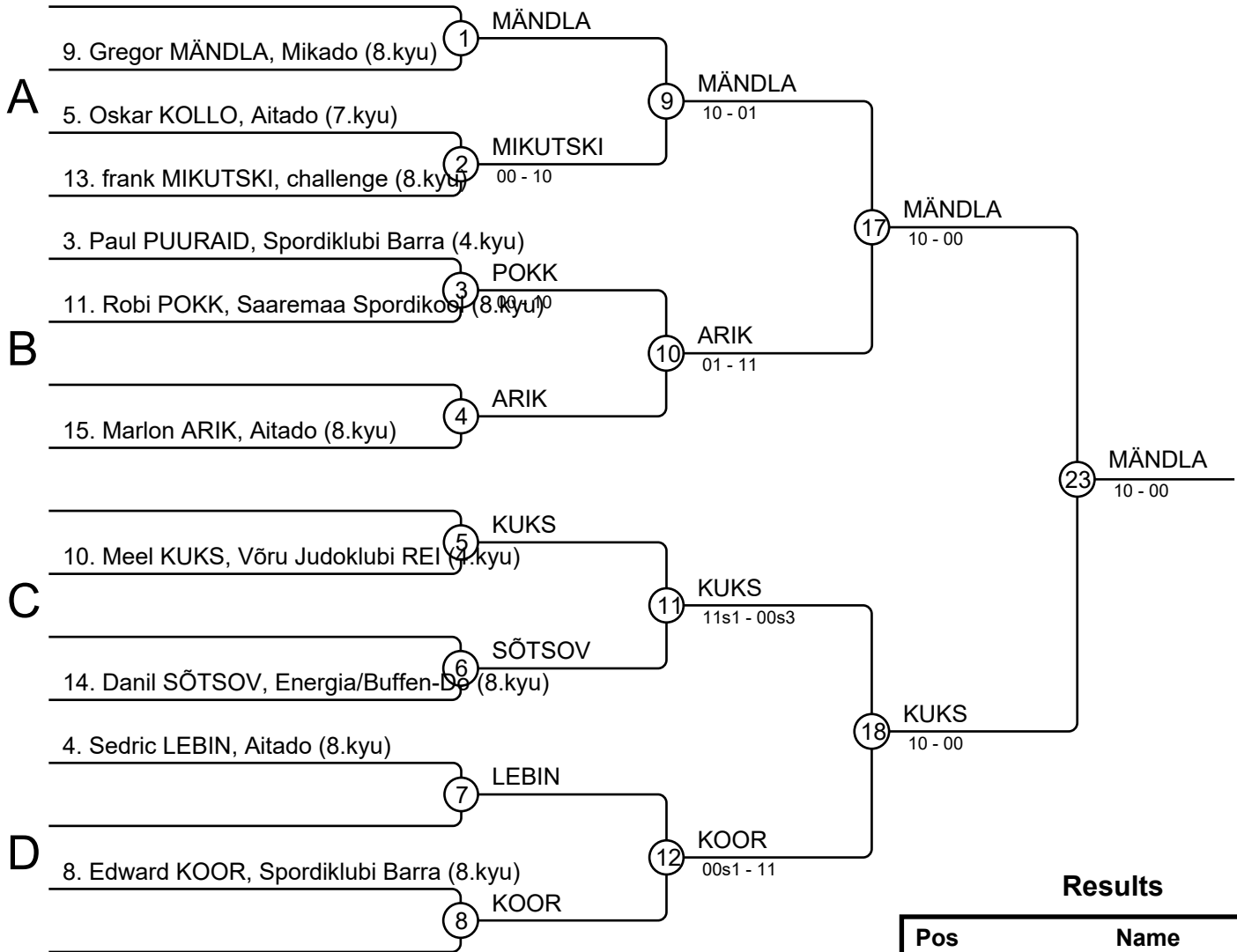
Match	White			Blue	Result	Time
1	Alex BOIKOV	1	2	Art ARIVA	00s1-11	3:24
2	Alex BOIKOV	1	3	Trevon TEDREKIN	10-00	1:26
3	Art ARIVA	2	3	Trevon TEDREKIN	10-00	0:06

## Results

Pos	Name
1	Art ARIVA, Spordiklubi Altia
2	Alex BOIKOV, Dodze
3	Trevon TEDREKIN, Spordiklubi Sakura

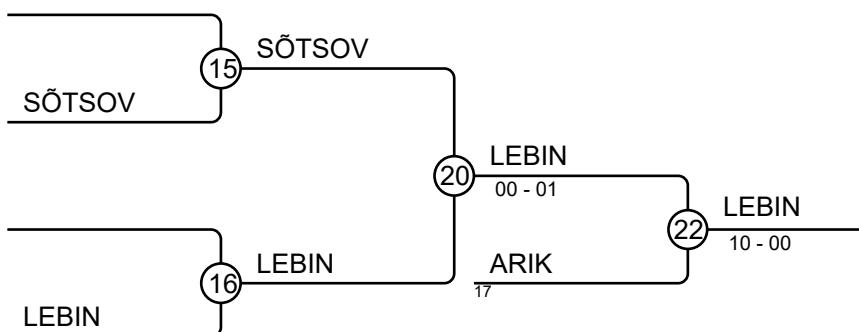
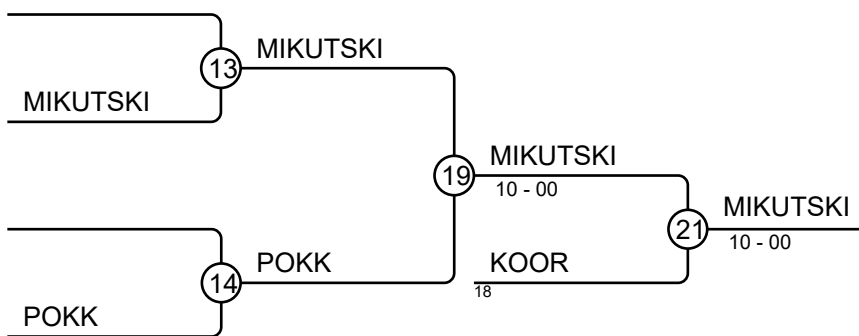
# Keeraku 20/11/2021 Tartu UU10-40

Competitors: 10



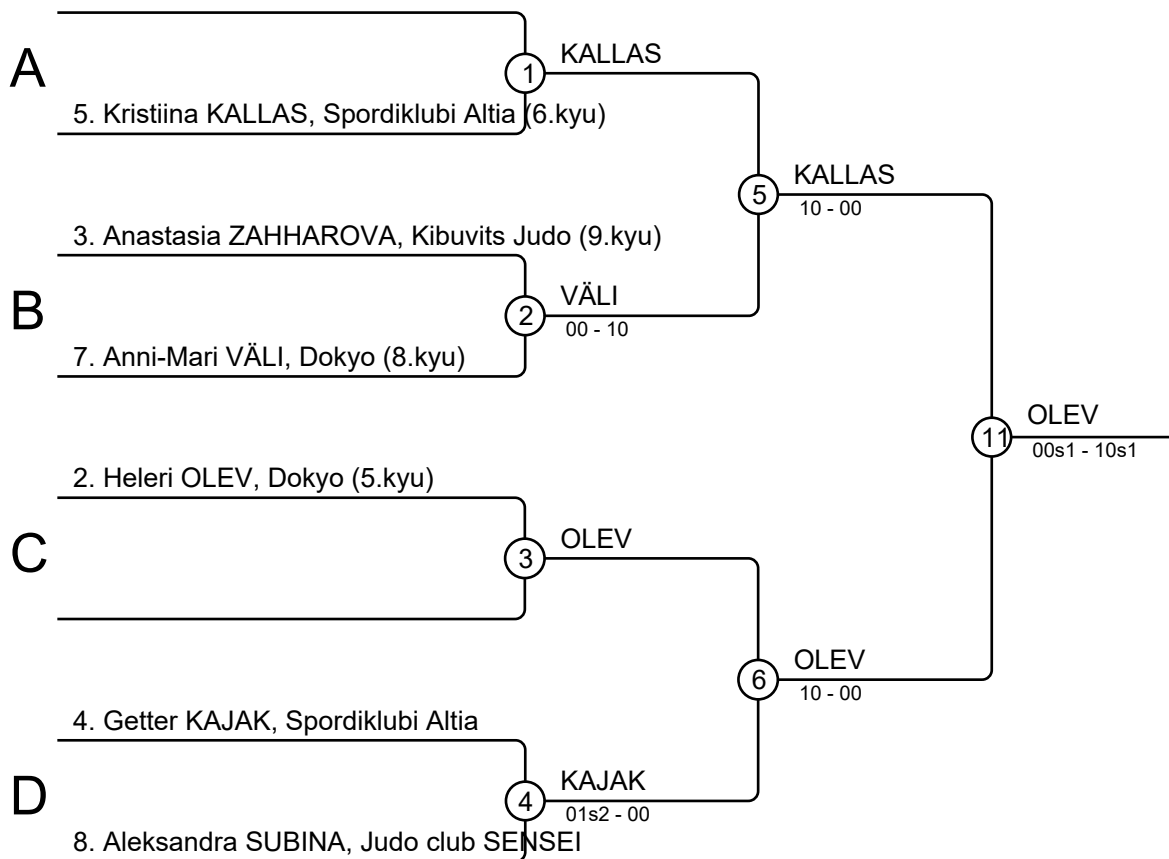
## Results

Pos	Name
1	Gregor MÄNDLA, Mikado
2	Meel KUUKS, Võru Judoklubi REI
3	frank MIKUTSKI, challenge
3	Sedic LEBIN, Aitado
5	Edward KOOR, Spordiklubi Barra
5	Marlon ARIK, Aitado
7	Robi POKK, Saaremaa Spordikool
7	Danil SÕTISOV, Energia/Buffer-Do



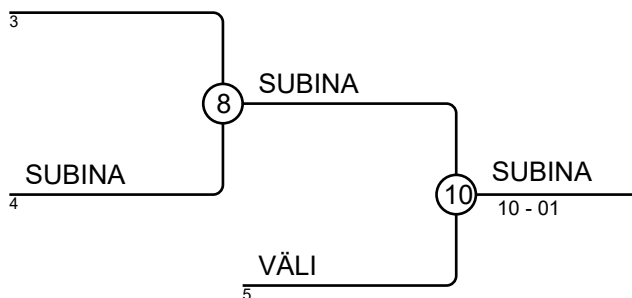
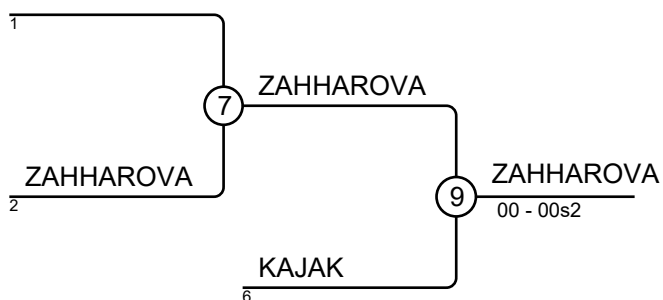
# Keeraku 20/11/2021 Tartu WU12+45

Competitors: 6



## Results

Pos	Name
1	Heleri OLEV, Dokyo
2	Kristiina KALLAS, Spordiklubi Altia
3	Anastasia ZAHHAROVA, Kibuvits Judo
3	Aleksandra SUBINA, Judo club SENSEI
5	Getter KAJAK, Spordiklubi Altia
5	Anni-Mari VÄLI, Dokyo
7	
7	



# Keeraku 20/11/2021 Tartu WU12-32

## Competitors

Competitors: 3

#	Name	Grade	Club	1	2	3	Wins	Pts	Pos
1	Varvara PJATECKA	6.kyu	KYODAI		10	10	2	20	1
2	Megija PAVARE	7.kyu	KYODAI				0	0	3
3	Anastasia BUZINA	?	Kibuvits Judo		1		1	1	2

## Matches

Match	White			Blue	Result	Time
1	Varvara PJATECKA	1	2	Megija PAVARE	10-00s1	0:42
2	Varvara PJATECKA	1	3	Anastasia BUZINA	10-01	1:29
3	Megija PAVARE	2	3	Anastasia BUZINA	00-01s1	2:00

## Results

Pos	Name
1	Varvara PJATECKA, KYODAI
2	Anastasia BUZINA, Kibuvits Judo
3	Megija PAVARE, KYODAI

# Keeraku 20/11/2021 Tartu WU12-36

## Competitors

Competitors: 3

#	Name	Grade	Club	1	2	3	Wins	Pts	Pos
1	Arina LISOGOR	7.kyu	Energia/Bufen-Do			10	1	10	2
2	Hanna AASA	8.kyu	Tartu Do	10		10	2	20	1
3	Viktorija SAVICKA	7.kyu	KYODAI				0	0	3

## Matches

Match	White			Blue	Result	Time
1	Arina LISOGOR	1	2	Hanna AASA	01-10	0:26
2	Arina LISOGOR	1	3	Viktorija SAVICKA	10-00	0:33
3	Hanna AASA	2	3	Viktorija SAVICKA	10-00	0:59

## Results

Pos	Name
1	Hanna AASA, Tartu Do
2	Arina LISOGOR, Energia/Bufen-Do
3	Viktorija SAVICKA, KYODAI

# Keeraku 20/11/2021 Tartu WU12-45

## Competitors

Competitors: 3

#	Name	Grade	Club	1	2	3	Wins	Pts	Pos
1	Cara LASS	6.kyu	Dokyo			10	1	10	2
2	Loore LEPIK	8.kyu	Spordiklubi Barra	10		10	2	20	1
3	Maribel PIKKER	6.kyu	Aitado				0	0	3

## Matches

Match	White			Blue	Result	Time
1	Cara LASS	1	2	Loore LEPIK	00-10	0:23
2	Cara LASS	1	3	Maribel PIKKER	10-00	1:28
3	Loore LEPIK	2	3	Maribel PIKKER	10-00s1	1:53

## Results

Pos	Name
1	Loore LEPIK, Spordiklubi Barra
2	Cara LASS, Dokyo
3	Maribel PIKKER, Aitado

# Keeraku 20/11/2021 Tartu WU14+60

## Competitors

Competitors: 3

#	Name	Grade	Club	1	2	3	Wins	Pts	Pos
1	Evelina ROOSI	8.kyu	Energia/Buffen-Do		10		1	10	2
2	Miia KADARU	6.kyu	Aitado				0	0	3
3	Marianna BRUJA	6.kyu	KYODAI	10	10		2	20	1

## Matches

Match	White			Blue	Result	Time
1	Evelina ROOSI	1	2	Miia KADARU	10s1-00s2	4:00
2	Evelina ROOSI	1	3	Marianna BRUJA	00-10	0:22
3	Miia KADARU	2	3	Marianna BRUJA	00-11	0:44

## Results

Pos	Name
1	Marianna BRUJA, KYODAI
2	Evelina ROOSI, Energia/Buffen-Do
3	Miia KADARU, Aitado

# Keeraku 20/11/2021 Tartu WU14-36

## Competitors

Competitors: 3

#	Name	Grade	Club	1	2	3	Wins	Pts	Pos
1	Reesi VISSEL	4.kyu	Võru Judoklubi REI				0	0	3
2	Ketlin SEMJONOV	3.kyu	Viljandi Spordikool	10		10	2	20	1
3	Varvara PJATECKA	6.kyu	KYODAI	10			1	10	2

## Matches

Match	White			Blue	Result	Time
1	Reesi VISSEL	1	2	Ketlin SEMJONOV	00s1-10	1:48
2	Reesi VISSEL	1	3	Varvara PJATECKA	00-10	0:19
3	Ketlin SEMJONOV	2	3	Varvara PJATECKA	11s1-01	4:00

## Results

Pos	Name
1	Ketlin SEMJONOV, Viljandi Spordikool
2	Varvara PJATECKA, KYODAI
3	Reesi VISSEL, Võru Judoklubi REI



# Keeraku 20/11/2021 Tartu WU14-45

## Competitors

Competitors: 2

#	Name	Grade	Club	1	2	1	2	1	2	Wins	Pts	Pos
1	Sofia PEKKI	4.kyu	Magas		1		10			0	0	1
2	Maria LAVRINJOVA	8.kyu	Audentese Spordiklubi							0	0	2

## Matches

Match	White			Blue	Result	Time
1	Sofia PEKKI	1	2	Maria LAVRINJOVA	01-00	3:00
2	Sofia PEKKI	1	2	Maria LAVRINJOVA	11-00	2:17
3	Sofia PEKKI	1	2	Maria LAVRINJOVA		

## Results

Pos	Name
1	Sofia PEKKI, Magas
2	Maria LAVRINJOVA, Audentese Spordiklubi

# Keeraku 20/11/2021 Tartu WU14-52

## Competitors

Competitors: 2

#	Name	Grade	Club	1	2	1	2	1	2	Wins	Pts	Pos
1	Mai Mirtel UMBLIA	8.kyu	Spordiklubi Altia							0	0	2
2	Marija RASIMENOKA	7.kyu	Judo club SENSEI	10		10				2	20	1

## Matches

Match	White			Blue	Result	Time
1	Mai Mirtel UMBLIA	1	2	Marija RASIMENOKA	00-10	0:28
2	Mai Mirtel UMBLIA	1	2	Marija RASIMENOKA	00-11	0:55
3	Mai Mirtel UMBLIA	1	2	Marija RASIMENOKA		

## Results

Pos	Name
1	Marija RASIMENOKA, Judo club SENSEI
2	Mai Mirtel UMBLIA, Spordiklubi Altia

# Keeraku 20/11/2021 Tartu WU14-60

## Competitors

Competitors: 5

#	Name	Grade	Club	1	2	3	4	5	Wins	Pts	Pos
1	Rebeka GEPNER	6.kyu	Spordiklubi Sakura						0	0	5
2	Alisa GROMOVA	6.kyu	Budolinn	10		10	10	10	4	40	1
3	Lauma Loreta CERA	6.kyu	KYODAI	10			10		2	20	3
4	Valeria SAFRONOVA	6.kyu	Energia/Bufen-Do	10					1	10	4
5	Julianna TEMOFEJEVA	6.kyu	Energia/Bufen-Do	10		10	10		3	30	2

## Matches

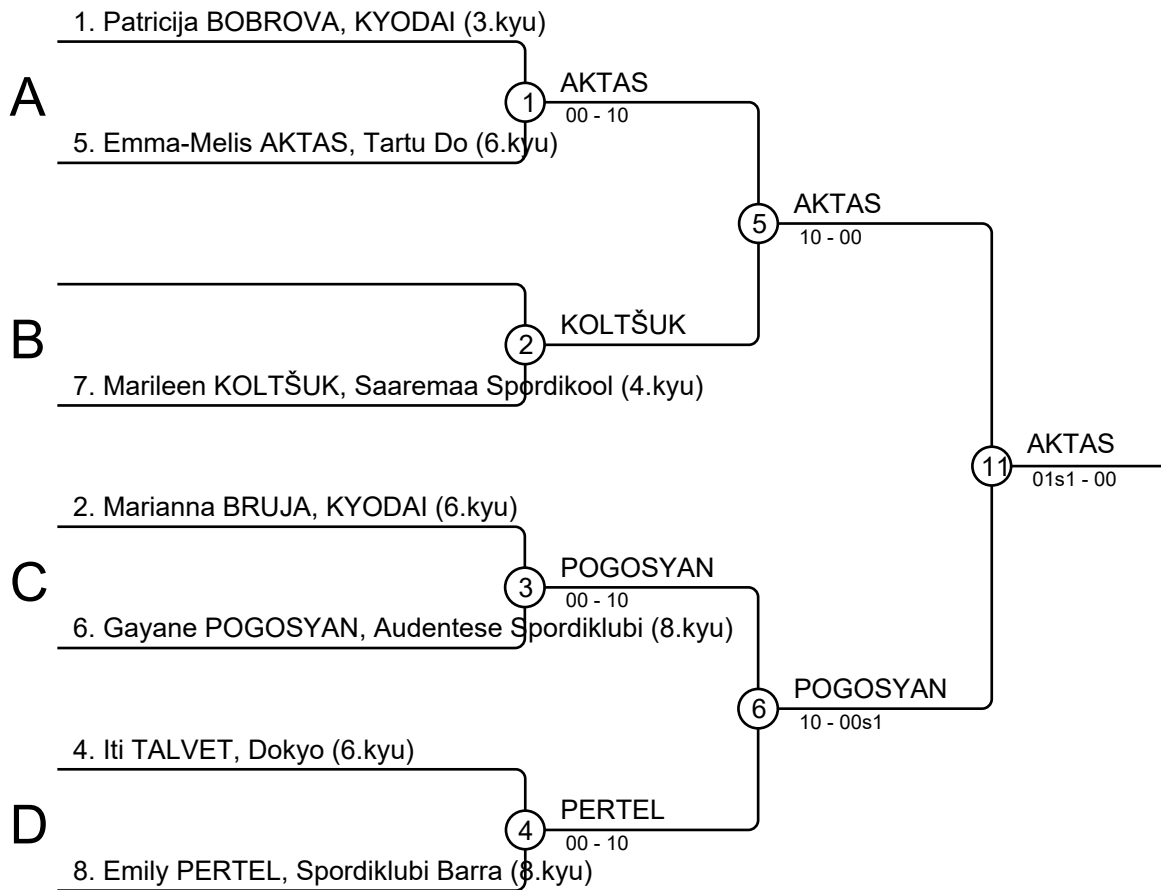
Match	White	Blue	Result	Time
1	Valeria SAFRONOVA	4 5 Julianna TEMOFEJEVA	00-10	0:35
2	Rebeka GEPNER	1 2 Alisa GROMOVA	00-10	0:06
3	Lauma Loreta CERA	3 4 Valeria SAFRONOVA	11-00	0:53
4	Rebeka GEPNER	1 5 Julianna TEMOFEJEVA	00-10	0:11
5	Alisa GROMOVA	2 3 Lauma Loreta CERA	10-00	0:10
6	Rebeka GEPNER	1 4 Valeria SAFRONOVA	00-10	0:06
7	Lauma Loreta CERA	3 5 Julianna TEMOFEJEVA	00-11	2:12
8	Alisa GROMOVA	2 4 Valeria SAFRONOVA	10-00	0:19
9	Rebeka GEPNER	1 3 Lauma Loreta CERA	00-10	0:09
10	Alisa GROMOVA	2 5 Julianna TEMOFEJEVA	10-00	0:15

## Results

Pos	Name
1	Alisa GROMOVA, Budolinn
2	Julianna TEMOFEJEVA, Energia/Bufen-Do
3	Lauma Loreta CERA, KYODAI
4	Valeria SAFRONOVA, Energia/Bufen-Do
5	Rebeka GEPNER, Spordiklubi Sakura

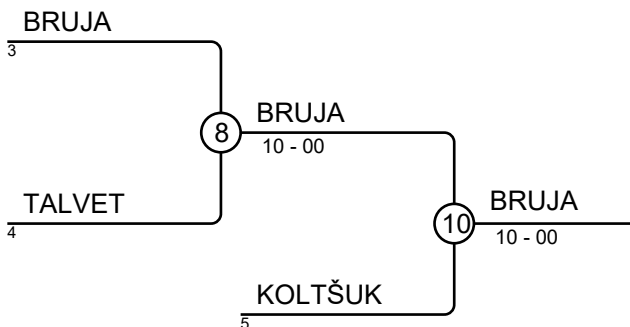
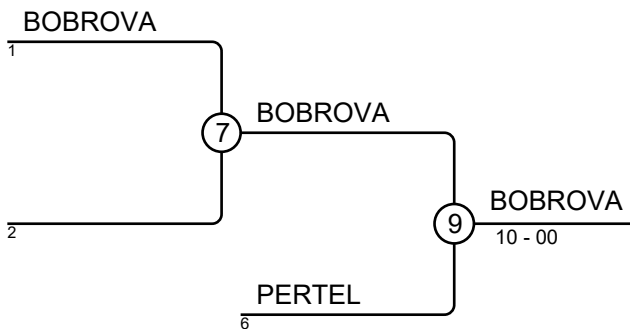
# Keeraku 20/11/2021 Tartu WU16+63

Competitors: 7



## Results

Pos	Name
1	Emma-Melis AKTAS, Tartu Do
2	Gayane POGOSYAN, Audentese Spordiklubi
3	Patricija BOBROVA, KYODAI
3	Marianna BRUJA, KYODAI
5	Emily PERTEL, Spordiklubi Barra
5	Marileen KOLTŠUK, Saaremaa Spordikool
7	
7	Iiti TALVET, Dokyo



# Keeraku 20/11/2021 Tartu WU16-44

## Competitors

Competitors: 4

#	Name	Grade	Club	1	2	3	4	Wins	Pts	Pos
1	Maria LAVRINJOVA	8.kyu	Audentese Spordiklubi					0	0	4
2	Rebeka LIIAS	6.kyu	Tartu Do	10			10	1	10	2
3	Sofia PEKKI	4.kyu	Magas		1		10	2	11	1
4	Emma Sofia MERI	4.kyu	Võru Judoklubi REI					0	0	3

## Matches

Match	White	Blue	Result	Time
1	Maria LAVRINJOVA 1 2	Rebeka LIIAS	00-10	0:56
2	Sofia PEKKI 3 4	Emma Sofia MERI	10-00	0:11
3	Maria LAVRINJOVA 1 3	Sofia PEKKI		
4	Rebeka LIIAS 2 4	Emma Sofia MERI	10-00	0:18
5	Maria LAVRINJOVA 1 4	Emma Sofia MERI		
6	Rebeka LIIAS 2 3	Sofia PEKKI	00s1-01	4:32

## Results

Pos	Name
1	Sofia PEKKI, Magas
2	Rebeka LIIAS, Tartu Do
3	Emma Sofia MERI, Võru Judoklubi REI
4	Maria LAVRINJOVA, Audentese Spordiklubi

# Keeraku 20/11/2021 Tartu WU16-48

## Competitors

Competitors: 4

#	Name	Grade	Club	1	2	3	4	Wins	Pts	Pos
1	Hanna Elisabet HAAV	6.kyu	Dokyo		10		10	2	20	2
2	Elina POHJARAND	6.kyu	Energia/Buffer-Do					0	0	4
3	Marija RASIMENOKA	7.kyu	Judo club SENSEI	10	10		10	3	30	1
4	Kertu KIKKA	5.kyu	Tartu Do		10			1	10	3

## Matches

Match	White	Blue	Result	Time
1	Hanna Elisabet HAAV 1 2	Elina POHJARAND	10-00	0:25
2	Marija RASIMENOKA 3 4	Kertu KIKKA	10-00	0:08
3	Hanna Elisabet HAAV 1 3	Marija RASIMENOKA	00-10	0:31
4	Elina POHJARAND 2 4	Kertu KIKKA	00s1-10	0:54
5	Hanna Elisabet HAAV 1 4	Kertu KIKKA	10-00	0:07
6	Elina POHJARAND 2 3	Marija RASIMENOKA	00-10	0:19

## Results

Pos	Name
1	Marija RASIMENOKA, Judo club SENSEI
2	Hanna Elisabet HAAV, Dokyo
3	Kertu KIKKA, Tartu Do
4	Elina POHJARAND, Energia/Buffer-Do

# Keeraku 20/11/2021 Tartu WU16-52

## Competitors

Competitors: 2

#	Name	Grade	Club	1	2	1	2	1	2	Wins	Pts	Pos
1	Maria KORTŠAGINA	6.kyu	Energia/Bufen-Do							0	0	2
2	Rugilė MAROŽAITĖ	1.kyu	R. Sarguno sporto gimnazija	10						2	20	1

## Matches

Match	White			Blue	Result	Time
1	Maria KORTŠAGINA	1	2	Rugilė MAROŽAITĖ	00-10	0:48
2	Maria KORTŠAGINA	1	2	Rugilė MAROŽAITĖ	00-11	0:44
3	Maria KORTŠAGINA	1	2	Rugilė MAROŽAITĖ		

## Results

Pos	Name
1	Rugilė MAROŽAITĖ, R. Sarguno sporto gimnazija
2	Maria KORTŠAGINA, Energia/Bufen-Do

# Keeraku 20/11/2021 Tartu WU16-57

## Competitors

Competitors: 5

#	Name	Grade	Club	1	2	3	4	5	Wins	Pts	Pos
1	Sofija PONOMARJOVA	2.kyu	MAKKABI LATVIA		1	10	1	10	4	22	1
2	Riina MYLLYLÄ	?	Chikara			10	1		2	11	4
3	Marianne TORNIJAINEN	3.kyu	Samurai						0	0	5
4	Antra MUZICA	2.kyu	KYODAI			10		10	2	20	2
5	Amelija BARANOVSKA	3.kyu	KYODAI		10	10			2	20	3

## Matches

Match	White			Blue	Result	Time
1	Antra MUZICA	4	5	Amelija BARANOVSKA	10-00	1:51
2	Sofija PONOMARJOVA	1	2	Riina MYLLYLÄ	01-00	3:00
3	Marianne TORNIJAINEN	3	4	Antra MUZICA	00-10	1:01
4	Sofija PONOMARJOVA	1	5	Amelija BARANOVSKA	10-00	1:03
5	Riina MYLLYLÄ	2	3	Marianne TORNIJAINEN	10-00	0:56
6	Sofija PONOMARJOVA	1	4	Antra MUZICA	01s1-00s1	3:00
7	Marianne TORNIJAINEN	3	5	Amelija BARANOVSKA	00-10	0:05
8	Riina MYLLYLÄ	2	4	Antra MUZICA	01-00	3:00
9	Sofija PONOMARJOVA	1	3	Marianne TORNIJAINEN	10-00	0:31
10	Riina MYLLYLÄ	2	5	Amelija BARANOVSKA	00-10	0:37

## Results

Pos	Name
1	Sofija PONOMARJOVA, MAKKABI LATVIA
2	Antra MUZICA, KYODAI
3	Amelija BARANOVSKA, KYODAI
4	Riina MYLLYLÄ, Chikara
5	Marianne TORNIJAINEN, Samurai



# Keeraku 20/11/2021 Tartu WU16-63

## Competitors

Competitors: 2

#	Name	Grade	Club	1	2	1	2	1	2	Wins	Pts	Pos
1	<del>Nora KIVIMÄGI</del>	4.kyu	Aitado							0	0	2
2	Anna GULITE	1.kyu	KYODAI							0	0	1

## Matches

Match	White			Blue	Result	Time
1	Nora KIVIMÄGI	1	2	Anna GULITE		
2	Nora KIVIMÄGI	1	2	Anna GULITE		
3	Nora KIVIMÄGI	1	2	Anna GULITE		

## Results

Pos	Name
1	Anna GULITE, KYODAI
2	<del>Nora KIVIMÄGI, Aitado</del>

# Keeraku 20/11/2021 Tartu WU18+70

## Competitors

Competitors: 5

#	Name	Grade	Club	1	2	3	4	5	Wins	Pts	Pos
1	Rugile STASIULYTE	1.kyu	Ipon			10	1		2	11	3
2	Aktas EMMA-MELIS	?	Do	10		1		10	3	21	1
3	Patricija BOBROVA	3.kyu	KYODAI						0	0	5
4	Jura SUBAČIUTĒ	1.kyu	R. Sarguno sporto gimnazija	10	1				2	11	4
5	Fausta PETRONYTĒ	2.kyu	R. Sarguno sporto gimnazija	10		10	1		3	21	2

## Matches

Match	White	White	Blue	Blue	Result	Time
1	Jura SUBAČIUTĒ	4	5	Fausta PETRONYTĒ	00s1-01s2	4:00
2	Rugile STASIULYTE	1	2	Aktas EMMA-MELIS	00s3-10s1	3:33
3	Patricija BOBROVA	3	4	Jura SUBAČIUTĒ	00-01s2	4:00
4	Rugile STASIULYTE	1	5	Fausta PETRONYTĒ	00s3-10s1	5:44
5	Aktas EMMA-MELIS	2	3	Patricija BOBROVA	01-00	5:15
6	Rugile STASIULYTE	1	4	Jura SUBAČIUTĒ	01s1-00s2	4:56
7	Patricija BOBROVA	3	5	Fausta PETRONYTĒ	00s1-10s1	0:41
8	Aktas EMMA-MELIS	2	4	Jura SUBAČIUTĒ	00s1-10s1	2:05
9	Rugile STASIULYTE	1	3	Patricija BOBROVA	10s2-00	2:02
10	Aktas EMMA-MELIS	2	5	Fausta PETRONYTĒ	10s1-00s1	1:31

## Results

Pos	Name
1	Aktas EMMA-MELIS, Do
2	Fausta PETRONYTĒ, R. Sarguno sporto gimnazija
3	Rugile STASIULYTE, Ipon
4	Jura SUBAČIUTĒ, R. Sarguno sporto gimnazija
5	Patricija BOBROVA, KYODAI

# Keeraku 20/11/2021 Tartu WU18-48

## Competitors

Competitors: 1

#	Name	Grade	Club	1	Wins	Pts	Pos
1	ELINA POMYARANTA	?	Buffen-Do		0	0	1

## Matches

Match	White	Blue	Result	Time
-------	-------	------	--------	------

## Results

Pos	Name
1	ELINA POMYARANTA, Buffen-Do

# Keeraku 20/11/2021 Tartu WU18-52

## Competitors

Competitors: 2

#	Name	Grade	Club	1	2	1	2	1	2	Wins	Pts	Pos
1	Rugil� MAROZAIT�	1.kyu	R. Sarguno sporto gimnazija	10		10				2	20	1
2	Merily KOPELMAA	2.kyu	Aitado							0	0	2

## Matches

Match	White			Blue	Result	Time
1	Rugil� MAROZAIT�	1	2	Merily KOPELMAA	10s1-00s1	1:41
2	Rugil� MAROZAIT�	1	2	Merily KOPELMAA	10-00	0:39
3	Rugil� MAROZAIT�	1	2	Merily KOPELMAA		

## Results

Pos	Name
1	Rugil� MAROZAIT�, R. Sarguno sporto gimnazija
2	Merily KOPELMAA, Aitado

# Keeraku 20/11/2021 Tartu WU18-57

## Competitors

Competitors: 5

#	Name	Grade	Club	1	2	3	4	5	Wins	Pts	Pos
1	Antra MUZICA	2.kyu	KYODAI		10			10	2	20	3
2	Sofija PONOMARJOVA	2.kyu	MAKKABI LATVIA				10	10	2	20	4
3	Riina MYLLYLÄ	?	Chikara	10	10			10	3	30	1
4	Gabija REVINSKAITĒ	1.dan	R. Sarguno sporto gimnazija			1		10	3	12	2
5	Patricija MILEVSKAJA	1.kyu	Ipon						0	0	5

## Matches

Match	White	Blue	Result	Time
1	Gabija REVINSKAITĒ	4 5 Patricija MILEVSKAJA	10-00	0:43
2	Antra MUZICA	1 2 Sofija PONOMARJOVA	10s1-00s1	1:28
3	Riina MYLLYLÄ	3 4 Gabija REVINSKAITĒ	00s1-01	4:00
4	Antra MUZICA	1 5 Patricija MILEVSKAJA	10-00	1:39
5	Sofija PONOMARJOVA	2 3 Riina MYLLYLÄ	00-10s1	0:41
6	Antra MUZICA	1 4 Gabija REVINSKAITĒ	00s2-01	4:00
7	Riina MYLLYLÄ	3 5 Patricija MILEVSKAJA	10-00	0:37
8	Sofija PONOMARJOVA	2 4 Gabija REVINSKAITĒ	11-00s1	2:31
9	Antra MUZICA	1 3 Riina MYLLYLÄ	00s1-11s2	3:35
10	Sofija PONOMARJOVA	2 5 Patricija MILEVSKAJA	10-00	0:43

## Results

Pos	Name
1	Riina MYLLYLÄ, Chikara
2	Gabija REVINSKAITĒ, R. Sarguno sporto gimnazija
3	Antra MUZICA, KYODAI
4	Sofija PONOMARJOVA, MAKKABI LATVIA
5	Patricija MILEVSKAJA, Ipon

# Keeraku 20/11/2021 Tartu WU18-63

## Competitors

Competitors: 2

#	Name	Grade	Club	1	2	1	2	1	2	Wins	Pts	Pos
1	Anna GULITE	1.kyu	KYODAI		10		10			2	20	1
2	Nora KIVIMÄGI	4.kyu	Aitado							0	0	2

## Matches

Match	White			Blue	Result	Time
1	Anna GULITE	1	2	Nora KIVIMÄGI	11-00	0:59
2	Anna GULITE	1	2	Nora KIVIMÄGI	10-00	0:00
3	Anna GULITE	1	2	Nora KIVIMÄGI		

## Results

Pos	Name
1	Anna GULITE, KYODAI
2	Nora KIVIMÄGI, Aitado

# Keeraku 20/11/2021 Tartu WU18-70

## Competitors

Competitors: 2

#	Name	Grade	Club	1	2	1	2	1	2	Wins	Pts	Pos
1	Maria PAPP	2.kyu	Audentese Spordiklubi		10		10			2	20	1
2	Henrietta LIPPUS	3.kyu	Spordiklubi Barra							0	0	2

## Matches

Match	White			Blue	Result	Time
1	Maria PAPP	1	2	Henrietta LIPPUS	10s1-00s1	2:09
2	Maria PAPP	1	2	Henrietta LIPPUS	10-00	1:12
3	Maria PAPP	1	2	Henrietta LIPPUS		

## Results

Pos	Name
1	Maria PAPP, Audentese Spordiklubi
2	Henrietta LIPPUS, Spordiklubi Barra