

Aitado kuldne karikas 05.02.2022 D

Competitors A

Competitors: 6

#	Name	Grade	Club	1	2	3	Wins	Pts	Pos
1	DOKYO	?	Dokyo				0	0	3
2	LEONARDO	?	Barra	10		10	2	20	1
3	TIIGRID	?	Aitado	10			1	10	2

Matches A

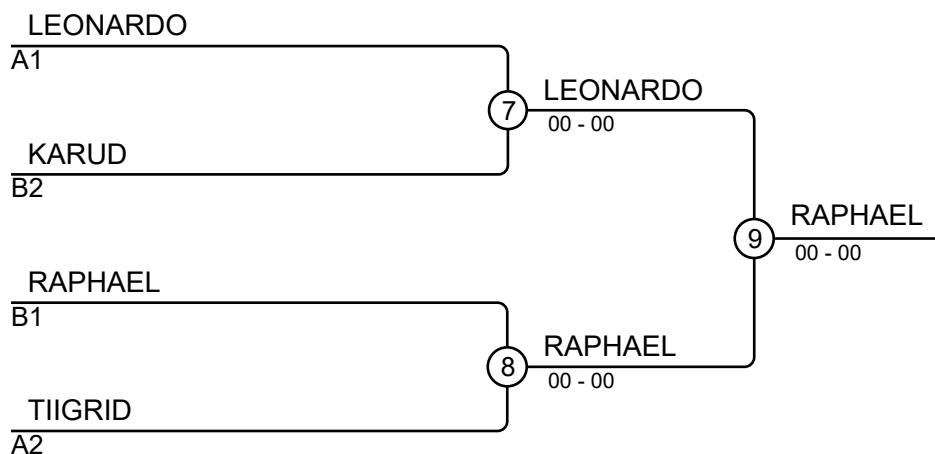
Match	White	Blue	Result	Time
1	DOKYO	1 2 LEONARDO	0-10	0:00
3	DOKYO	1 3 TIIGRID	0-10	0:00
5	LEONARDO	2 3 TIIGRID	10-0	0:00

Competitors B

#	Name	Grade	Club	4	5	6	Wins	Pts	Pos
4	KARUD	?	Aitado			10	1	10	2
5	RAPHAEL	?	Barra	10		10	2	20	1
6	AUDENTES	?	Audentes				0	0	3

Matches B

Match	White	Blue	Result	Time
2	KARUD	4 5 RAPHAEL	0-10	0:00
4	KARUD	4 6 AUDENTES	10-0	0:00
6	RAPHAEL	5 6 AUDENTES	10-0	0:00



Results

Pos	Name
1	RAPHAEL, Barra
2	LEONARDO, Barra
3	KARUD, Aitado
3	TIIGRID, Aitado