

EMV C-klass ja Veteranid 22/04/2023 Tallinn M1-M2+100

Competitors

Competitors: 4

| # | Name | Club | 1 | 2 | 3 | 4 | Wins | Pts | Pos |
|---|-----------------|-----------------------|---|----|----|----|------|-----|-----|
| 1 | Juhan METTIS | Spordiklubi Barra | | 10 | 10 | 10 | 3 | 30 | 1 |
| 2 | Indrek HOPFELDT | Spordiklubi Barra | | | 10 | | 1 | 10 | 3 |
| 3 | Gert NÕGU | Toni judokool EST MTÜ | | | | | 0 | 0 | 4 |
| 4 | Jevgeni SLEPIN | M-Dojo | | 10 | 10 | | 2 | 20 | 2 |

Matches

| Match | White | | | Blue | Result | Time |
|-------|-----------------|---|---|-----------------|-----------|------|
| 1 | Juhan METTIS | 1 | 2 | Indrek HOPFELDT | 10-00 | 0:50 |
| 2 | Gert NÕGU | 3 | 4 | Jevgeni SLEPIN | 00-10 | 1:35 |
| 3 | Juhan METTIS | 1 | 3 | Gert NÕGU | 10-00s3 | 2:24 |
| 4 | Indrek HOPFELDT | 2 | 4 | Jevgeni SLEPIN | 00s1-10s1 | 2:03 |
| 5 | Juhan METTIS | 1 | 4 | Jevgeni SLEPIN | 10-00 | 0:51 |
| 6 | Indrek HOPFELDT | 2 | 3 | Gert NÕGU | 10-00 | 0:19 |

Results

| Pos | Name |
|-----|------------------------------------|
| 1 | Juhan METTIS, Spordiklubi Barra |
| 2 | Jevgeni SLEPIN, M-Dojo |
| 3 | Indrek HOPFELDT, Spordiklubi Barra |
| 4 | Gert NÕGU, Toni judokool EST MTÜ |

EMV C-klass ja Veteranid 22/04/2023 Tallinn M1-M2-100

Competitors

Competitors: 4

| # | Name | Club | 1 | 2 | 3 | 4 | Wins | Pts | Pos |
|---|------------------|-----------------------|----|----|---|----|------|-----|-----|
| 1 | Aleksei ZUBKOV | M-Dojo | | 10 | | | 1 | 10 | 3 |
| 2 | Anton ŠALUHHIN | M-Dojo | | | | | 0 | 0 | 4 |
| 3 | Rivo JURŠ | Tartu DO | 7 | 10 | | 10 | 3 | 27 | 1 |
| 4 | Valentin PALLASE | Toni judokool EST MTÜ | 10 | 10 | | | 2 | 20 | 2 |

Matches

| Match | White | | | Blue | Result | Time |
|-------|----------------|---|---|------------------|-----------|------|
| 1 | Aleksei ZUBKOV | 1 | 2 | Anton ŠALUHHIN | 10-00 | 1:29 |
| 2 | Rivo JURŠ | 3 | 4 | Valentin PALLASE | 10s1-00 | 1:24 |
| 3 | Aleksei ZUBKOV | 1 | 3 | Rivo JURŠ | 00-01 | 3:00 |
| 4 | Anton ŠALUHHIN | 2 | 4 | Valentin PALLASE | 00s1-10 | 2:27 |
| 5 | Aleksei ZUBKOV | 1 | 4 | Valentin PALLASE | 00s3-10s2 | 1:09 |
| 6 | Anton ŠALUHHIN | 2 | 3 | Rivo JURŠ | 00-10 | 0:33 |

Results

| Pos | Name |
|-----|---|
| 1 | Rivo JURŠ, Tartu DO |
| 2 | Valentin PALLASE, Toni judokool EST MTÜ |
| 3 | Aleksei ZUBKOV, M-Dojo |
| 4 | Anton ŠALUHHIN, M-Dojo |

EMV C-klass ja Veteranid 22/04/2023 Tallinn

M1-M2-73

Competitors

Competitors: 1

| # | Name | Club | 1 | Wins | Pts | Pos |
|---|---------------|----------|---|------|-----|-----|
| 1 | Taavi TIIRATS | Olümpiko | | 0 | 0 | 1 |

Matches

| Match | White | Blue | Result | Time |
|-------|-------|------|--------|------|
|-------|-------|------|--------|------|

Results

| Pos | Name |
|-----|-------------------------|
| 1 | Taavi TIIRATS, Olümpiko |

EMV C-klass ja Veteranid 22/04/2023 Tallinn M1-M2-81

Competitors

Competitors: 3

| # | Name | Club | 1 | 2 | 3 | Wins | Pts | Pos |
|---|-----------------|-------------------|----|----|---|------|-----|-----|
| 1 | Mait MIKKELSAAR | Spordiklubi Barra | | 10 | | 1 | 10 | 2 |
| 2 | Steven ROTHBERG | Spordiklubi Barra | | | | 0 | 0 | 3 |
| 3 | Egert EHARI | Olümpiko | 10 | 7 | | 2 | 17 | 1 |

Matches

| Match | White | | | Blue | Result | Time |
|-------|-----------------|---|---|-----------------|-----------|------|
| 1 | Mait MIKKELSAAR | 1 | 2 | Steven ROTHBERG | 10-00 | 0:53 |
| 2 | Mait MIKKELSAAR | 1 | 3 | Egert EHARI | 00-10 | 2:13 |
| 3 | Steven ROTHBERG | 2 | 3 | Egert EHARI | 00s1-01s2 | 3:00 |

Results

| Pos | Name |
|-----|------------------------------------|
| 1 | Egert EHARI, Olümpiko |
| 2 | Mait MIKKELSAAR, Spordiklubi Barra |
| 3 | Steven ROTHBERG, Spordiklubi Barra |

EMV C-klass ja Veteranid 22/04/2023 Tallinn M1-M2-90

Competitors

Competitors: 2

| # | Name | Club | 1 | 2 | 1 | 2 | 1 | 2 | Wins | Pts | Pos |
|---|-----------------|-----------------------|----|---|----|---|---|---|------|-----|-----|
| 1 | Rifkat GARAJEV | M-Dojo | | | | | | | 0 | 0 | 2 |
| 2 | Künter ROTHBERG | Audentese Spordiklubi | 10 | | 10 | | | | 2 | 20 | 1 |

Matches

| Match | White | | | Blue | Result | Time |
|-------|----------------|---|---|-----------------|---------|------|
| 1 | Rifkat GARAJEV | 1 | 2 | Künter ROTHBERG | 00-10 | 1:10 |
| 2 | Rifkat GARAJEV | 1 | 2 | Künter ROTHBERG | 00s2-10 | 2:45 |
| 3 | Rifkat GARAJEV | 1 | 2 | Künter ROTHBERG | | |

Results

| Pos | Name |
|-----|--|
| 1 | Künter ROTHBERG, Audentese Spordiklubi |
| 2 | Rifkat GARAJEV, M-Dojo |

EMV C-klass ja Veteranid 22/04/2023 Tallinn

M3-M4-100

Competitors

Competitors: 1

| # | Name | Club | 1 | Wins | Pts | Pos |
|---|-----------------|--------|---|------|-----|-----|
| 1 | Oleg PEREZHOGIN | M-Dojo | | 0 | 0 | 1 |

Matches

| Match | White | Blue | Result | Time |
|-------|-------|------|--------|------|
|-------|-------|------|--------|------|

Results

| Pos | Name |
|-----|-------------------------|
| 1 | Oleg PEREZHOGIN, M-Dojo |

EMV C-klass ja Veteranid 22/04/2023 Tallinn M3-M4-73

Competitors

Competitors: 4

| # | Name | Club | 1 | 2 | 3 | 4 | Wins | Pts | Pos |
|---|------------------|-------------------|---|----|----|---|------|-----|-----|
| 1 | Aleksei VORONKOV | M-Dojo | | 10 | 10 | | 2 | 20 | 2 |
| 2 | Aleksandr PETROV | M-Dojo | | | | | 0 | 0 | 4 |
| 3 | Joel ROTHBERG | Spordiklubi Barra | | 10 | | | 1 | 10 | 3 |
| 4 | Vladimir GRILL | Ookami | 7 | 10 | 1 | | 3 | 18 | 1 |

Matches

| Match | White | | | Blue | Result | Time |
|-------|------------------|---|---|------------------|-----------|------|
| 1 | Aleksei VORONKOV | 1 | 2 | Aleksandr PETROV | 11-00 | 1:06 |
| 2 | Joel ROTHBERG | 3 | 4 | Vladimir GRILL | 00s1-10 | 2:00 |
| 3 | Aleksei VORONKOV | 1 | 3 | Joel ROTHBERG | 10-00 | 2:38 |
| 4 | Aleksandr PETROV | 2 | 4 | Vladimir GRILL | 00-11 | 1:52 |
| 5 | Aleksei VORONKOV | 1 | 4 | Vladimir GRILL | 00s1-01s1 | 3:00 |
| 6 | Aleksandr PETROV | 2 | 3 | Joel ROTHBERG | 00-11 | 0:56 |

Results

| Pos | Name |
|-----|----------------------------------|
| 1 | Vladimir GRILL, Ookami |
| 2 | Aleksei VORONKOV, M-Dojo |
| 3 | Joel ROTHBERG, Spordiklubi Barra |
| 4 | Aleksandr PETROV, M-Dojo |

EMV C-klass ja Veteranid 22/04/2023 Tallinn M3-M4-81

Competitors

Competitors: 3

| # | Name | Club | 1 | 2 | 3 | Wins | Pts | Pos |
|---|----------------|-----------------------|---|----|---|------|-----|-----|
| 1 | Ruslan JAKIMOV | Audentese Spordiklubi | | 7 | 7 | 2 | 14 | 1 |
| 2 | Ants KUKS | Võru Judoklubi REI | | | | 0 | 0 | 3 |
| 3 | Marko KESKÜLA | Saaremaa Spordikool | | 10 | | 1 | 10 | 2 |

Matches

| Match | White | | | Blue | Result | Time |
|-------|----------------|---|---|---------------|---------|------|
| 1 | Ruslan JAKIMOV | 1 | 2 | Ants KUKS | 01-00 | 0:24 |
| 2 | Ruslan JAKIMOV | 1 | 3 | Marko KESKÜLA | 01s1-00 | 3:00 |
| 3 | Ants KUKS | 2 | 3 | Marko KESKÜLA | 00-10 | 0:00 |

Results

| Pos | Name |
|-----|---------------------------------------|
| 1 | Ruslan JAKIMOV, Audentese Spordiklubi |
| 2 | Marko KESKÜLA, Saaremaa Spordikool |
| 3 | Ants KUKS, Võru Judoklubi REI |

EMV C-klass ja Veteranid 22/04/2023 Tallinn

M3-M4-90

Competitors

Competitors: 1

| # | Name | Club | 1 | Wins | Pts | Pos |
|---|------------|---------------------|---|------|-----|-----|
| 1 | Mario VÄIN | Saaremaa Spordikool | | 0 | 0 | 1 |

Matches

| Match | White | Blue | Result | Time |
|-------|-------|------|--------|------|
|-------|-------|------|--------|------|

Results

| Pos | Name |
|-----|---------------------------------|
| 1 | Mario VÄIN, Saaremaa Spordikool |

EMV C-klass ja Veteranid 22/04/2023 Tallinn M5-73

Competitors

Competitors: 1

| # | Name | Club | 1 | Wins | Pts | Pos |
|---|------------|--------|---|------|-----|-----|
| 1 | Sven TALTS | Ookami | | 0 | 0 | 1 |

Matches

| Match | White | Blue | Result | Time |
|-------|-------|------|--------|------|
|-------|-------|------|--------|------|

Results

| Pos | Name |
|-----|--------------------|
| 1 | Sven TALTS, Ookami |

EMV C-klass ja Veteranid 22/04/2023 Tallinn M5-81

Competitors

Competitors: 2

| # | Name | Club | 1 | 2 | 1 | 2 | 1 | 2 | Wins | Pts | Pos |
|---|-------------------|------------|---|---|---|---|---|---|------|-----|-----|
| 1 | Juri KONDRATENKO | M-Dojo | | 1 | | 7 | | | 2 | 8 | 1 |
| 2 | Rostislav POTAPOV | Individual | | | | | | | 0 | 0 | 2 |

Matches

| Match | White | | | Blue | Result | Time |
|-------|------------------|---|---|-------------------|-----------|------|
| 1 | Juri KONDRATENKO | 1 | 2 | Rostislav POTAPOV | 01-00s2 | 4:26 |
| 2 | Juri KONDRATENKO | 1 | 2 | Rostislav POTAPOV | 01s1-00s1 | 3:00 |
| 3 | Juri KONDRATENKO | 1 | 2 | Rostislav POTAPOV | | |

Results

| Pos | Name |
|-----|-------------------------------|
| 1 | Juri KONDRATENKO, M-Dojo |
| 2 | Rostislav POTAPOV, Individual |

EMV C-klass ja Veteranid 22/04/2023 Tallinn M5-90

Competitors

Competitors: 1

| # | Name | Club | 1 | Wins | Pts | Pos |
|---|-----------------|--------|---|------|-----|-----|
| 1 | Jevgeni JAKIMOV | M-Dojo | | 0 | 0 | 1 |

Matches

| Match | White | Blue | Result | Time |
|-------|-------|------|--------|------|
|-------|-------|------|--------|------|

Results

| Pos | Name |
|-----|-------------------------|
| 1 | Jevgeni JAKIMOV, M-Dojo |

EMV C-klass ja Veteranid 22/04/2023 Tallinn WS+63

Competitors

Competitors: 1

| # | Name | Club | 1 | Wins | Pts | Pos |
|---|----------------|------------------------|---|------|-----|-----|
| 1 | Kaire LINDEPUU | SK Taifu / Viljandi SK | | 0 | 0 | 1 |

Matches

| Match | White | Blue | Result | Time |
|-------|-------|------|--------|------|
|-------|-------|------|--------|------|

Results

| Pos | Name |
|-----|--|
| 1 | Kaire LINDEPUU, SK Taifu / Viljandi SK |

EMV C-klass ja Veteranid 22/04/2023 Tallinn WS-63

Competitors

Competitors: 1

| # | Name | Club | 1 | Wins | Pts | Pos |
|---|-----------------|-------------------|---|------|-----|-----|
| 1 | Kätlin ROTHBERG | Spordiklubi Barra | | 0 | 0 | 1 |

Matches

| Match | White | Blue | Result | Time |
|-------|-------|------|--------|------|
|-------|-------|------|--------|------|

Results

| Pos | Name |
|-----|------------------------------------|
| 1 | Kätlin ROTHBERG, Spordiklubi Barra |

EMV C-klass ja Veteranid 22/04/2023 Tallinn WU14-36

Competitors

Competitors: 3

| # | Name | Club | 1 | 2 | 3 | Wins | Pts | Pos |
|---|------------------|--------------------|----|---|----|------|-----|-----|
| 1 | Siana AVAKJAN | Kohtla-Järve Kalev | | | 10 | 1 | 10 | 2 |
| 2 | Ksenia KOSTISHIN | Kohtla-Järve Kalev | 10 | | 10 | 2 | 20 | 1 |
| 3 | Kerit JEPIŠOV | Spordiklubi Altia | | | | 0 | 0 | 3 |

Matches

| Match | White | | | Blue | Result | Time |
|-------|------------------|---|---|------------------|--------|------|
| 1 | Siana AVAKJAN | 1 | 2 | Ksenia KOSTISHIN | 00-10 | 0:28 |
| 2 | Siana AVAKJAN | 1 | 3 | Kerit JEPIŠOV | 10-01 | 0:43 |
| 3 | Ksenia KOSTISHIN | 2 | 3 | Kerit JEPIŠOV | 10-00 | 2:27 |

Results

| Pos | Name |
|-----|--------------------------------------|
| 1 | Ksenia KOSTISHIN, Kohtla-Järve Kalev |
| 2 | Siana AVAKJAN, Kohtla-Järve Kalev |
| 3 | Kerit JEPIŠOV, Spordiklubi Altia |

EMV C-klass ja Veteranid 22/04/2023 Tallinn WU14-40

Competitors

Competitors: 5

| # | Name | Club | 1 | 2 | 3 | 4 | 5 | Wins | Pts | Pos |
|---|-----------------------|------------------------|----|---|----|----|----|------|-----|-----|
| 1 | Roxanne Moniik ORTEGA | Audentese Spordiklubi | | | 10 | 10 | 10 | 3 | 30 | 2 |
| 2 | Mila EINSTEIN | Spordiklubi Altia | 10 | | 10 | 10 | 10 | 4 | 40 | 1 |
| 3 | Kete Lill MERKULOV | SK Taifu / Viljandi SK | | | | | | 0 | 0 | 5 |
| 4 | Arina LISOGOR | Energia/Buffer-do | | | 10 | | 10 | 2 | 20 | 3 |
| 5 | Milana NOVITSKI | Energia/Buffer-do | | | 10 | | | 1 | 10 | 4 |

Matches

| Match | White | | | Blue | Result | Time |
|-------|-----------------------|---|---|--------------------|-----------|------|
| 1 | Arina LISOGOR | 4 | 5 | Milana NOVITSKI | 10-00 | 0:33 |
| 2 | Roxanne Moniik ORTEGA | 1 | 2 | Mila EINSTEIN | 00-10 | 1:47 |
| 3 | Kete Lill MERKULOV | 3 | 4 | Arina LISOGOR | 00s1-10 | 0:53 |
| 4 | Roxanne Moniik ORTEGA | 1 | 5 | Milana NOVITSKI | 10-00 | 1:44 |
| 5 | Mila EINSTEIN | 2 | 3 | Kete Lill MERKULOV | 10s1-00s3 | 2:29 |
| 6 | Roxanne Moniik ORTEGA | 1 | 4 | Arina LISOGOR | 10s1-00 | 2:22 |
| 7 | Kete Lill MERKULOV | 3 | 5 | Milana NOVITSKI | 00-10 | 0:59 |
| 8 | Mila EINSTEIN | 2 | 4 | Arina LISOGOR | 10-00 | 0:39 |
| 9 | Roxanne Moniik ORTEGA | 1 | 3 | Kete Lill MERKULOV | 10-00 | 1:16 |
| 10 | Mila EINSTEIN | 2 | 5 | Milana NOVITSKI | 10-00 | 0:48 |

Results

| Pos | Name |
|-----|--|
| 1 | Mila EINSTEIN, Spordiklubi Altia |
| 2 | Roxanne Moniik ORTEGA, Audentese Spordiklubi |
| 3 | Arina LISOGOR, Energia/Buffer-do |
| 4 | Milana NOVITSKI, Energia/Buffer-do |
| 5 | Kete Lill MERKULOV, SK Taifu / Viljandi SK |

EMV C-klass ja Veteranid 22/04/2023 Tallinn WU14-45

Competitors

Competitors: 4

| # | Name | Club | 1 | 2 | 3 | 4 | Wins | Pts | Pos |
|---|-------------------------|-------------------|----|---|----|----|------|-----|-----|
| 1 | Anastasia BUZINA | Kibuvits judo | | | 10 | 10 | 2 | 20 | 2 |
| 2 | Ello PÕLDMA | Spordiklubi Altia | 10 | | 10 | 10 | 3 | 30 | 1 |
| 3 | Karolina TŠERMOŠENTSEVA | M-Dojo | | | | 10 | 1 | 10 | 3 |
| 4 | Veronika TSURKAN | Budolinn | | | | | 0 | 0 | 4 |

Matches

| Match | White | | | Blue | Result | Time |
|-------|-------------------------|---|---|-------------------------|--------|------|
| 1 | Anastasia BUZINA | 1 | 2 | Ello PÕLDMA | 00-10 | 0:36 |
| 2 | Karolina TŠERMOŠENTSEVA | 3 | 4 | Veronika TSURKAN | 10-00 | 1:13 |
| 3 | Anastasia BUZINA | 1 | 3 | Karolina TŠERMOŠENTSEVA | 10-00 | 0:09 |
| 4 | Ello PÕLDMA | 2 | 4 | Veronika TSURKAN | 10-00 | 0:10 |
| 5 | Anastasia BUZINA | 1 | 4 | Veronika TSURKAN | 10-00 | 0:32 |
| 6 | Ello PÕLDMA | 2 | 3 | Karolina TŠERMOŠENTSEVA | 10-00 | 1:50 |

Results

| Pos | Name |
|-----|---------------------------------|
| 1 | Ello PÕLDMA, Spordiklubi Altia |
| 2 | Anastasia BUZINA, Kibuvits judo |
| 3 | Karolina TŠERMOŠENTSEVA, M-Dojo |
| 4 | Veronika TSURKAN, Budolinn |

EMV C-klass ja Veteranid 22/04/2023 Tallinn WU14-52

Competitors

Competitors: 5

| # | Name | Club | 1 | 2 | 3 | 4 | 5 | Wins | Pts | Pos |
|---|-----------------------|-------------------|---|----|----|----|----|------|-----|-----|
| 1 | Mirjam JÄRVE | Spordiklubi Barra | | 10 | 10 | 10 | 10 | 4 | 40 | 1 |
| 2 | Marleen SANDER | Aitado | | | 10 | | | 1 | 10 | 4 |
| 3 | Miia Eliise PETERMANN | Judoklubi Samurai | | | | | | 0 | 0 | 5 |
| 4 | Ksenia KASK | Rapla Judoklubi | | 10 | 10 | | | 2 | 20 | 3 |
| 5 | Cara LASS | Judoklubi Dokyo | | 10 | 10 | 10 | | 3 | 30 | 2 |

Matches

| Match | White | | | Blue | Result | Time |
|-------|-----------------------|---|---|-----------------------|---------|------|
| 1 | Ksenia KASK | 4 | 5 | Cara LASS | 00-10 | 2:01 |
| 2 | Mirjam JÄRVE | 1 | 2 | Marleen SANDER | 10-00 | 0:43 |
| 3 | Miia Eliise PETERMANN | 3 | 4 | Ksenia KASK | 00-10 | 0:21 |
| 4 | Mirjam JÄRVE | 1 | 5 | Cara LASS | 10s1-00 | 1:29 |
| 5 | Marleen SANDER | 2 | 3 | Miia Eliise PETERMANN | 10-00 | 0:25 |
| 6 | Mirjam JÄRVE | 1 | 4 | Ksenia KASK | 10-00s1 | 2:23 |
| 7 | Miia Eliise PETERMANN | 3 | 5 | Cara LASS | 00-10 | 0:06 |
| 8 | Marleen SANDER | 2 | 4 | Ksenia KASK | 00-10 | 0:44 |
| 9 | Mirjam JÄRVE | 1 | 3 | Miia Eliise PETERMANN | 10-00 | 0:10 |
| 10 | Marleen SANDER | 2 | 5 | Cara LASS | 00-10 | 1:14 |

Results

| Pos | Name |
|-----|--|
| 1 | Mirjam JÄRVE, Spordiklubi Barra |
| 2 | Cara LASS, Judoklubi Dokyo |
| 3 | Ksenia KASK, Rapla Judoklubi |
| 4 | Marleen SANDER, Aitado |
| 5 | Miia Eliise PETERMANN, Judoklubi Samurai |

EMV C-klass ja Veteranid 22/04/2023 Tallinn WU14-60

Competitors

Competitors: 5

| # | Name | Club | 1 | 2 | 3 | 4 | 5 | Wins | Pts | Pos |
|---|---------------------|------------------------|----|----|----|----|---|------|-----|-----|
| 1 | Emilia JEVIN | Ookami | | 10 | 10 | | | 2 | 20 | 4 |
| 2 | Maribel PIKKER | Judoklubi Samurai | | | 10 | 10 | 1 | 3 | 21 | 2 |
| 3 | Marta KIMMEL | SK Taifu / Viljandi SK | | | | | | 0 | 0 | 5 |
| 4 | Elisabet ŠELEPOVA | Kibuvits judo | 10 | | 10 | | | 2 | 20 | 3 |
| 5 | Anastasia ZAHHAROVA | Kibuvits judo | 10 | | 10 | 10 | | 3 | 30 | 1 |

Matches

| Match | White | | | Blue | Result | Time |
|-------|-------------------|---|---|---------------------|-----------|------|
| 1 | Elisabet ŠELEPOVA | 4 | 5 | Anastasia ZAHHAROVA | 00-10 | 1:00 |
| 2 | Emilia JEVIN | 1 | 2 | Maribel PIKKER | 10-01 | 2:04 |
| 3 | Marta KIMMEL | 3 | 4 | Elisabet ŠELEPOVA | 00s1-10 | 0:22 |
| 4 | Emilia JEVIN | 1 | 5 | Anastasia ZAHHAROVA | 00s2-10s2 | 2:25 |
| 5 | Maribel PIKKER | 2 | 3 | Marta KIMMEL | 10-00 | 0:07 |
| 6 | Emilia JEVIN | 1 | 4 | Elisabet ŠELEPOVA | 00-10 | 0:14 |
| 7 | Marta KIMMEL | 3 | 5 | Anastasia ZAHHAROVA | 00-10 | 0:09 |
| 8 | Maribel PIKKER | 2 | 4 | Elisabet ŠELEPOVA | 10-01 | 1:19 |
| 9 | Emilia JEVIN | 1 | 3 | Marta KIMMEL | 10-00 | 0:09 |
| 10 | Maribel PIKKER | 2 | 5 | Anastasia ZAHHAROVA | 01s1-00 | 3:18 |

Results

| Pos | Name |
|-----|--------------------------------------|
| 1 | Anastasia ZAHHAROVA, Kibuvits judo |
| 2 | Maribel PIKKER, Judoklubi Samurai |
| 3 | Elisabet ŠELEPOVA, Kibuvits judo |
| 4 | Emilia JEVIN, Ookami |
| 5 | Marta KIMMEL, SK Taifu / Viljandi SK |

EMV C-klass ja Veteranid 22/04/2023 Tallinn WU14+60

Competitors

Competitors: 5

| # | Name | Club | 1 | 2 | 3 | 4 | 5 | Wins | Pts | Pos |
|---|------------------|--------------------|----|----|----|----|---|------|-----|-----|
| 1 | Roos-Mari NERUT | Olümpiko | | 10 | 7 | 10 | | 3 | 27 | 2 |
| 2 | Joko Marii AARMA | Judoklubi Samurai | | | | | | 0 | 0 | 5 |
| 3 | Ilona IONOVA | Võru Judoklubi REI | | 10 | | | | 1 | 10 | 4 |
| 4 | Getter KAJAK | Spordiklubi Altia | | 10 | 1 | | | 2 | 11 | 3 |
| 5 | Kristiina KALLAS | Spordiklubi Altia | 10 | 10 | 10 | 10 | | 4 | 40 | 1 |

Matches

| Match | White | Blue | Result | Time |
|-------|------------------|----------------------|---------|------|
| 1 | Getter KAJAK | 4 5 Kristiina KALLAS | 00-10 | 0:43 |
| 2 | Roos-Mari NERUT | 1 2 Joko Marii AARMA | 11-00 | 1:46 |
| 3 | Ilona IONOVA | 3 4 Getter KAJAK | 01-11s2 | 4:00 |
| 4 | Roos-Mari NERUT | 1 5 Kristiina KALLAS | 00-11 | 0:48 |
| 5 | Joko Marii AARMA | 2 3 Ilona IONOVA | 00s3-10 | 1:14 |
| 6 | Roos-Mari NERUT | 1 4 Getter KAJAK | 10-00 | 0:25 |
| 7 | Ilona IONOVA | 3 5 Kristiina KALLAS | 00-10 | 0:32 |
| 8 | Joko Marii AARMA | 2 4 Getter KAJAK | 00s1-10 | 1:52 |
| 9 | Roos-Mari NERUT | 1 3 Ilona IONOVA | 01-00 | 3:00 |
| 10 | Joko Marii AARMA | 2 5 Kristiina KALLAS | 00-10 | 0:17 |

Results

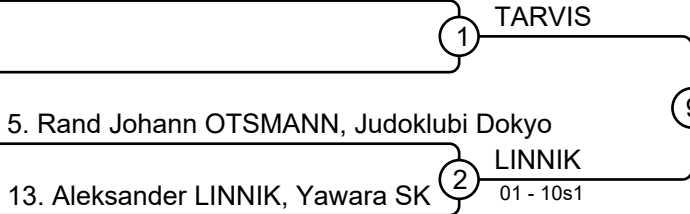
| Pos | Name |
|-----|-------------------------------------|
| 1 | Kristiina KALLAS, Spordiklubi Altia |
| 2 | Roos-Mari NERUT, Olümpiko |
| 3 | Getter KAJAK, Spordiklubi Altia |
| 4 | Ilona IONOVA, Võru Judoklubi REI |
| 5 | Joko Marii AARMA, Judoklubi Samurai |

EMV C-klass ja Veteranid 22/04/2023 Tallinn MU14-32

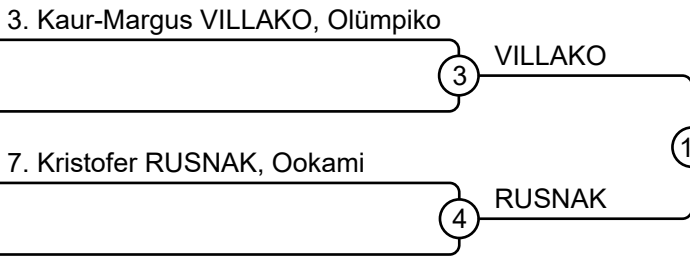
Competitors: 10

1. Siim TARVIS, Spordiklubi Altia

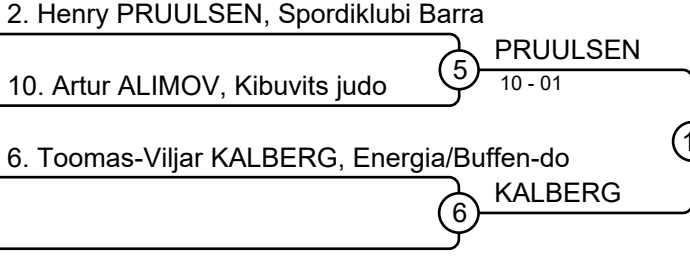
A



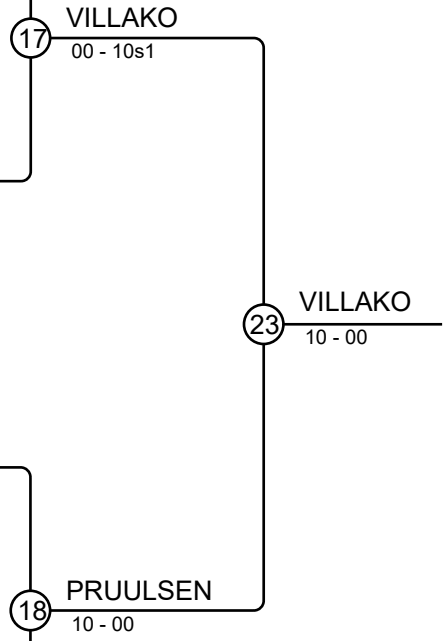
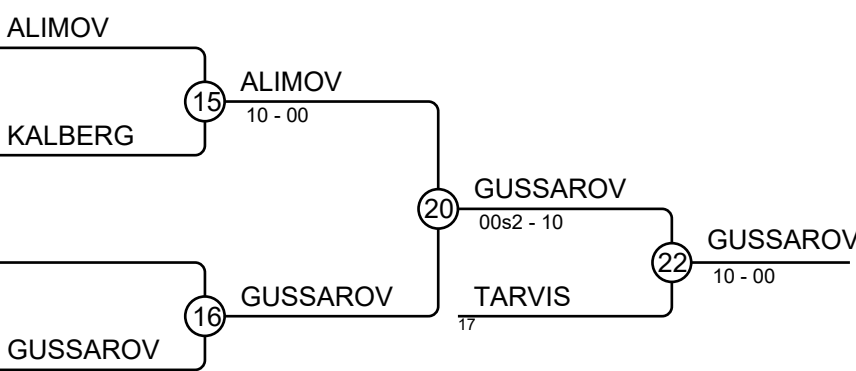
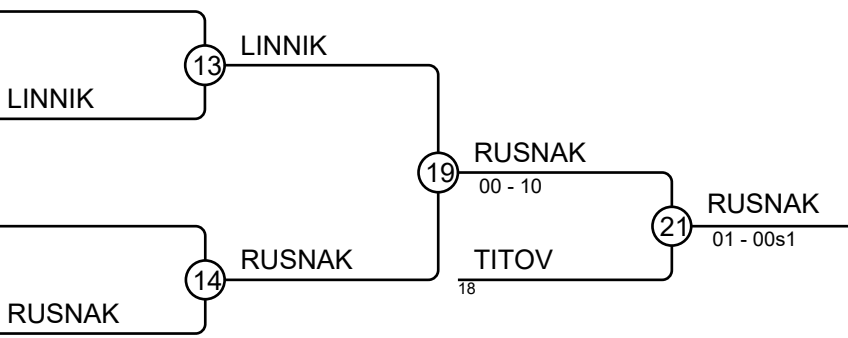
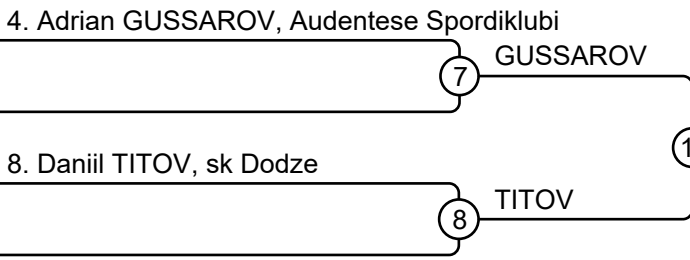
B



C



D



Results

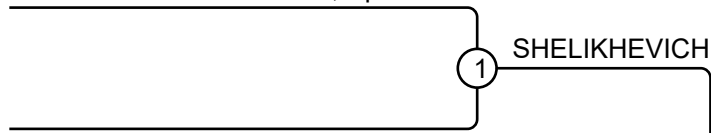
| Pos | Name |
|-----|--|
| 1 | Kaur-Margus VILLAKO, Olümpiko |
| 2 | Henry PRUULSEN, Spordiklubi Barra |
| 3 | Kristofer RUSNAK, Ookami |
| 3 | Adrian GUSSAROV, Audentese Spordiklubi |
| 5 | Daniil TITOV, sk Dodze |
| 5 | Siim TARVIS, Spordiklubi Altia |
| 7 | Aleksander LINNIK, Yawara SK |
| 7 | Artur ALIMOV, Kibuvits judo |

EMV C-klass ja Veteranid 22/04/2023 Tallinn MU14-35

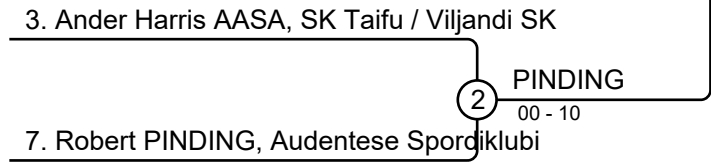
1. Artem SHELIKHEVICH, Spordiklubi Barra

Competitors: 6

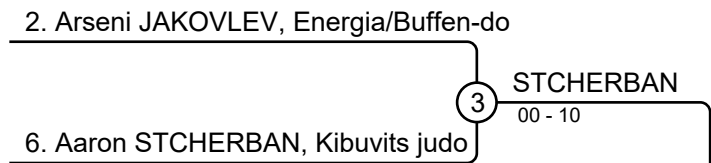
A



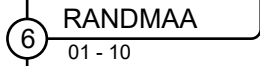
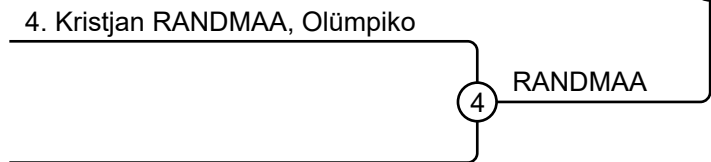
B



C

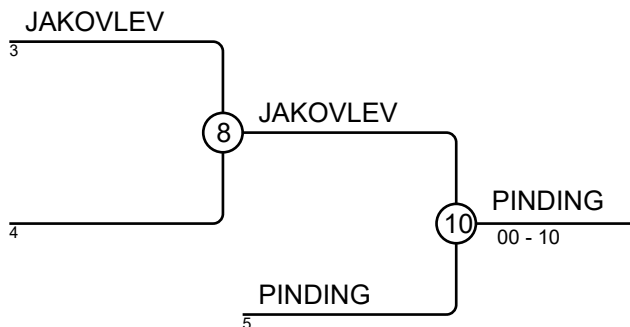
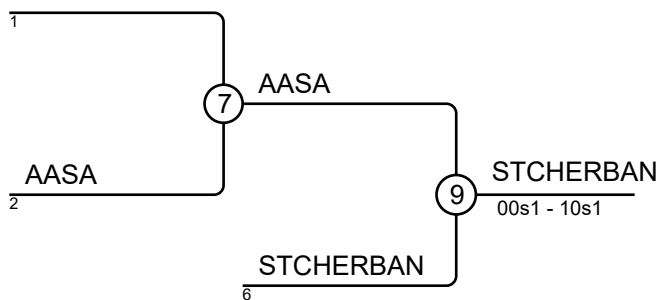


D



Results

| Pos | Name |
|-----|---|
| 1 | Artem SHELIKHEVICH, Spordiklubi Barra |
| 2 | Kristjan RANDMAA, Olümpiko |
| 3 | Aaron STCHERBAN, Kibuvits judo |
| 3 | Robert PINDING, Audentese Spordiklubi |
| 5 | Ander Harris AASA, SK Taifu / Viljandi SK |
| 5 | Arseni JAKOVLEV, Energia/Buffern-do |
| 7 | |
| 7 | |



EMV C-klass ja Veteranid 22/04/2023 Tallinn MU14-38

Competitors: 16

1. DEMID KOTSKIN, Budolinn

A

9. Sandor TUMM, Ookami

1 KOTSKIN
10 - 00

5. Rodion ZUBETS, Audentese Spordiklubi

2 ZUBETS
10 - 00

13. Karl TAMBAUR, Spordiklubi Barra

3. Luukas LÄÄNE, Judoklubi Dokyo

11. Aleks RUSSAKOV, Olümpiko

3 LÄÄNE
10 - 00

B

7. David ŠVARKOV, Energia/Buffer-do

4 ŠVARKOV
10 - 00

15. Yese TRUU, Saaremaa Spordiklubi

2. Jan Rasmus OJA, Audentese Spordiklubi

10. Luukas REIER, Toni judokool EST-MTU

5 OJA
00 - 00

C

6. Kõu Lennart SAAR, Spordiklubi Barra

6 SAAR
10 - 00

14. Konstantin KALININ, Yawara SK

4. Tauri VÄNDRE, SK Taifu / Viljandi SK

12. Chris-Roderic NEVIDEMSKI, Judoklubi Saarurai

7 VÄNDRE
00 - 00

D

8. Henry HÄRMS, Ookami

8 DÕSKANT
00 - 10

16. Pavel DÕSKANT, Budolinn

TAMBAUR

13 KOTSKIN
00 - 10s1

RUSSAKOV

14 RUSSAKOV
01 - 00s2

KALININ

15 OJA
00 - 10

HÄRMS

16 VÄNDRE
00 - 10

19 KOTSKIN
10 - 00

18 DÕSKANT
01s1 - 10

20 OJA
11 - 00

17 LÄÄNE
00s1 - 10

9 ZUBETS
00 - 10

10 LÄÄNE
10 - 00

11 SAAR
00s1 - 10s1

12 DÕSKANT
01s1 - 10

17 ZUBETS
10 - 00

18 SAAR
10 - 00

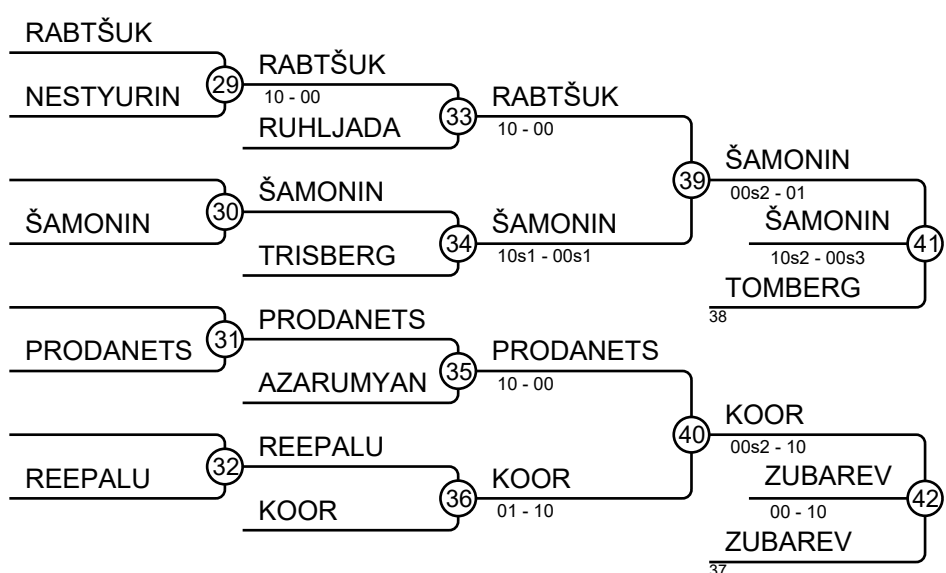
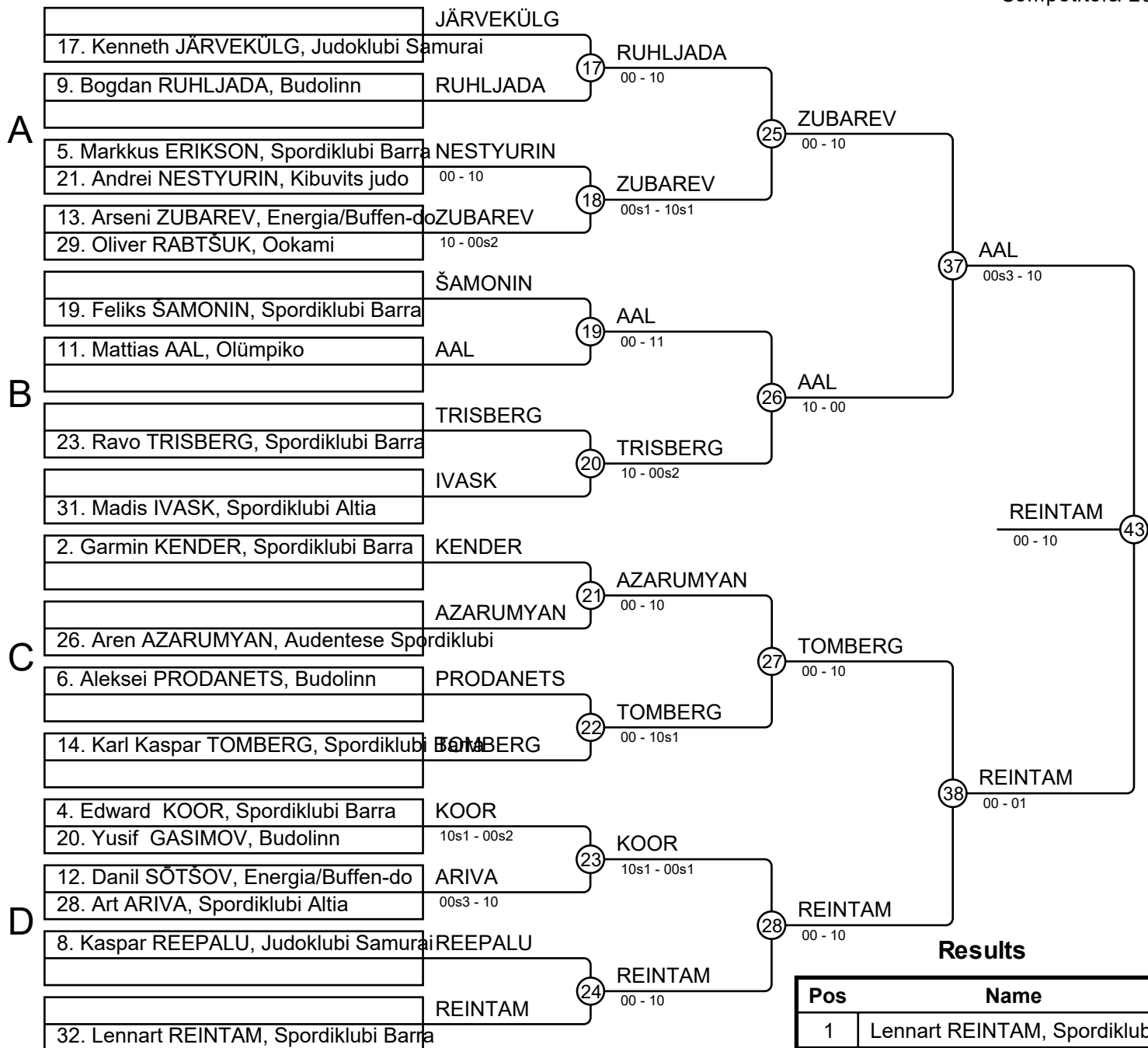
23 ZUBETS
10 - 00

Results

| Pos | Name |
|-----|---------------------------------------|
| 1 | Rodion ZUBETS, Audentese Spordiklubi |
| 2 | Kõu Lennart SAAR, Spordiklubi Barra |
| 3 | DEMID KOTSKIN, Budolinn |
| 3 | Luukas LÄÄNE, Judoklubi Dokyo |
| 5 | Pavel DÕSKANT, Budolinn |
| 5 | Jan Rasmus OJA, Audentese Spordiklubi |
| 7 | Aleks RUSSAKOV, Olümpiko |
| 7 | Tauri VÄNDRE, SK Taifu / Viljandi SK |

EMV C-klass ja Veteranid 22/04/2023 Tallinn MU14-42

Competitors: 20



EMV C-klass ja Veteranid 22/04/2023 Tallinn MU14-46

Competitors: 14

1. Sebastian KÕIV, Spordiklubi Barra

A

5. Raiko VAHER, SK Taifu / Viljandi SK

13. Aleks SMIRNOV, Budolinn

3. David VARKKI, M-Dojo

11. Raul ARUMÄE, Spordiklubi Barra

B

7. Demis KNYAZEVA, Kibuvits judo

15. Henry VELKS, Ookami

2. Jakob PIHLAK, Spordiklubi Altia

10. Edward TAMBETS, Võru Judoklubi R

C

6. Laur Kristjan RAIK, Spordiklubi Barra

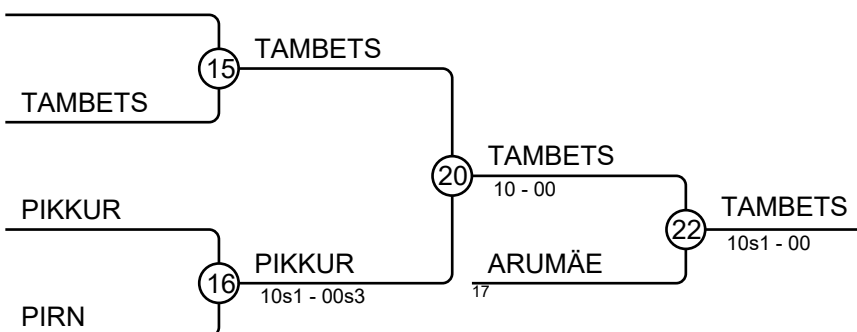
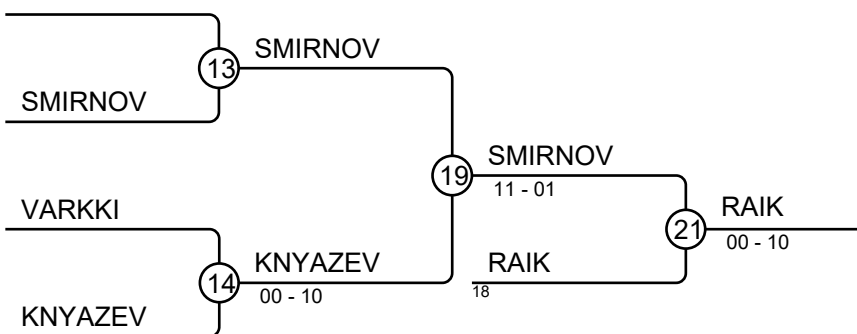
4. Taavi TOOMPARK, Spordiklubi Barra

12. Remo PIKKUR, Judoklubi Samurai

D

8. Rasmus PAALBERG, Ookami

16. Han-Lukas PIRN, SK Taifu / Viljandi SK

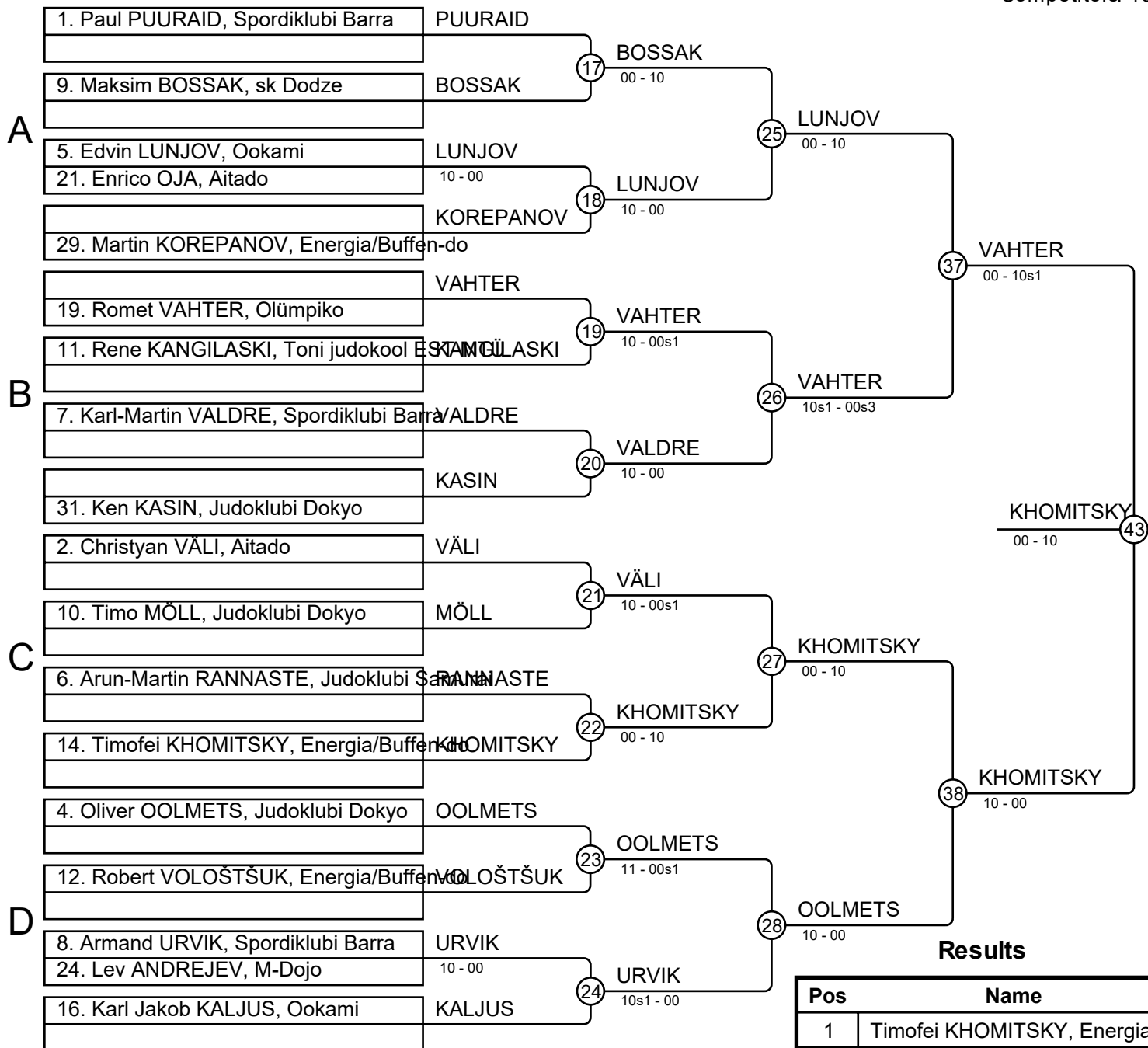


Results

| Pos | Name |
|-----|---------------------------------------|
| 1 | Sebastian KÕIV, Spordiklubi Barra |
| 2 | Taavi TOOMPARK, Spordiklubi Barra |
| 3 | Laur Kristjan RAIK, Spordiklubi Barra |
| 3 | Edward TAMBETS, Võru Judoklubi R |
| 5 | Aleks SMIRNOV, Budolinn |
| 5 | Raul ARUMÄE, Spordiklubi Barra |
| 7 | Demis KNYAZEVA, Kibuvits judo |
| 7 | Remo PIKKUR, Judoklubi Samurai |

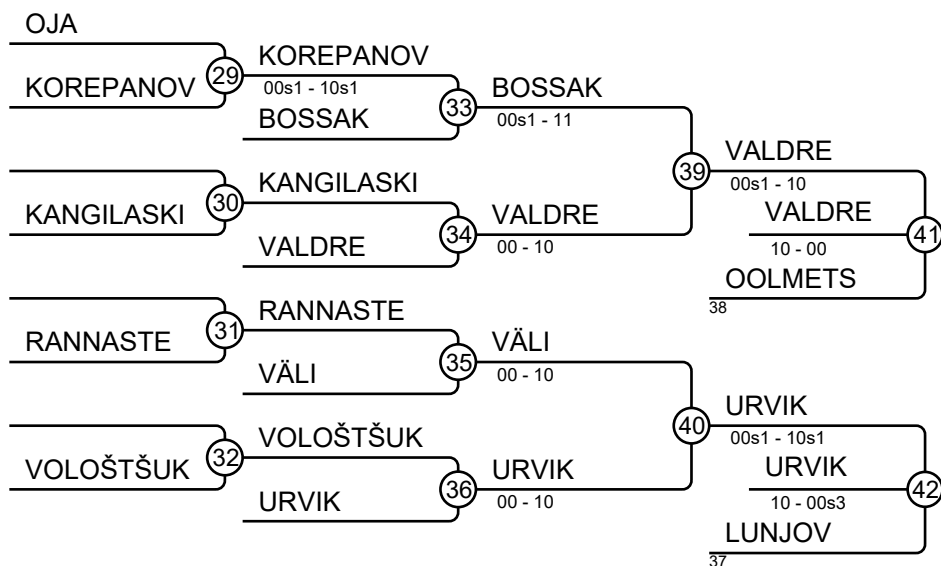
EMV C-klass ja Veteranid 22/04/2023 Tallinn MU14-50

Competitors: 18



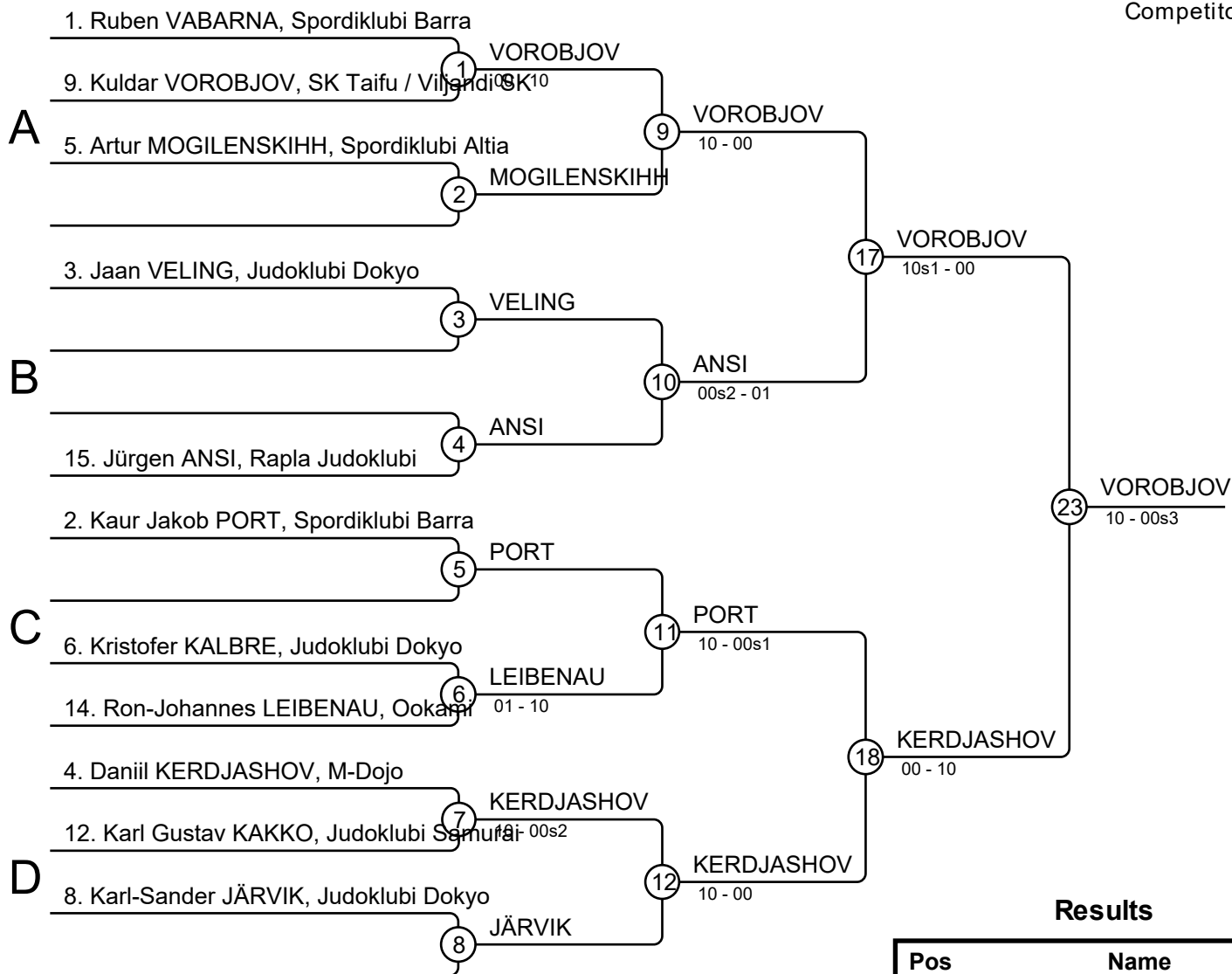
Results

| Pos | Name |
|-----|---------------------------------------|
| 1 | Timofei KHOMITSKY, Energia/Buffer-do |
| 2 | Romet VAHTER, Olümpiko |
| 3 | Karl-Martin VALDRE, Spordiklubi Barra |
| 3 | Armand URVIK, Spordiklubi Barra |
| 5 | Oliver OOLMETS, Judoklubi Dokyo |
| 5 | Edvin LUNJOV, Ookami |
| 7 | Maksim BOSSAK, sk Dodze |
| 7 | Christyan VÄLI, Aitado |



EMV C-klass ja Veteranid 22/04/2023 Tallinn MU14-55

Competitors: 11



Results

| Pos | Name |
|-----|---|
| 1 | Kuldar VOROBJOV, SK Taifu / Viljandi SK |
| 2 | Daniil KERDJASHOV, M-Dojo |
| 3 | Kaur Jakob PORT, Spordiklubi Barra |
| 3 | Jürgen ANSI, Rapla Judoklubi |
| 5 | Ruben VABARNA, Spordiklubi Barra |
| 5 | Karl Gustav KAKKO, Judoklubi Samuuri |
| 7 | Jaan VELING, Judoklubi Dokyo |
| 7 | Ron-Johannes LEIBENAU, Ookami |

EMV C-klass ja Veteranid 22/04/2023 Tallinn MU14-62

Competitors: 7

1. Pavel KROHHOTKO, Kibuvits judo

A

5. Kristofer KAAR, Aitado

① KROHHOTKO
11 - 00

B

3. Joosep TOOMEL, Spordiklubi Barra

② TOOMEL

⑤ TOOMEL
00s1 - 10

C

2. Riko TAMME, Rapla Judoklubi

③ TOOM
00 - 11

6. Kristjan TOOM, Spordiklubi Barra

⑥ NURM
00 - 10

D

4. August Martin NURM, Olümpiko

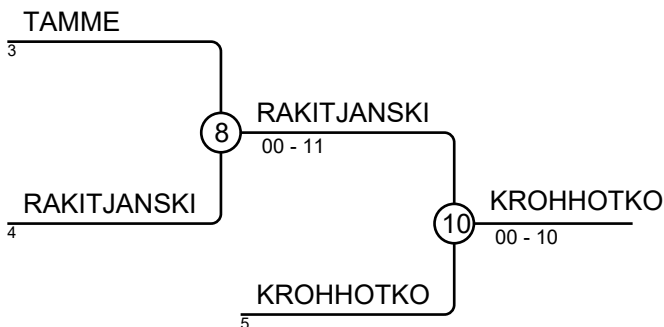
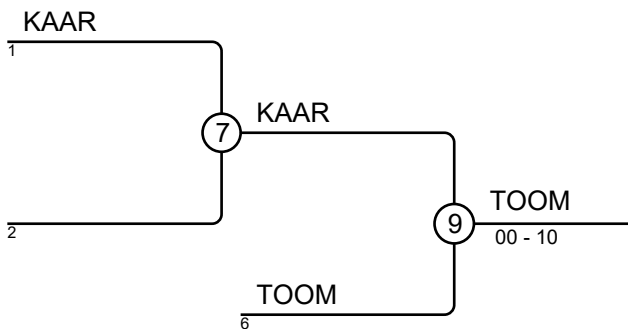
④ NURM
10 - 00

8. David RAKITJANSKI, Kibuvits judo

⑪ TOOMEL
10 - 00

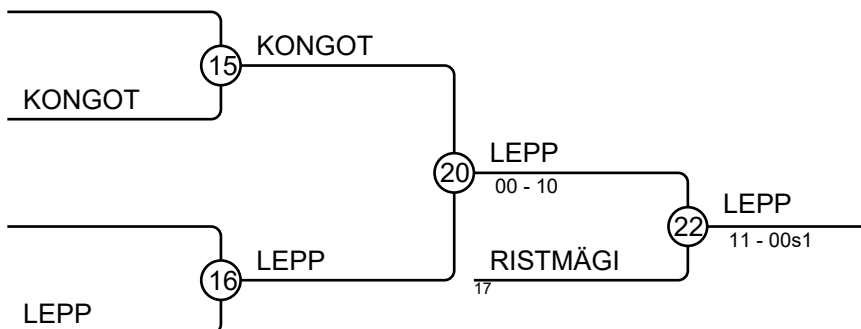
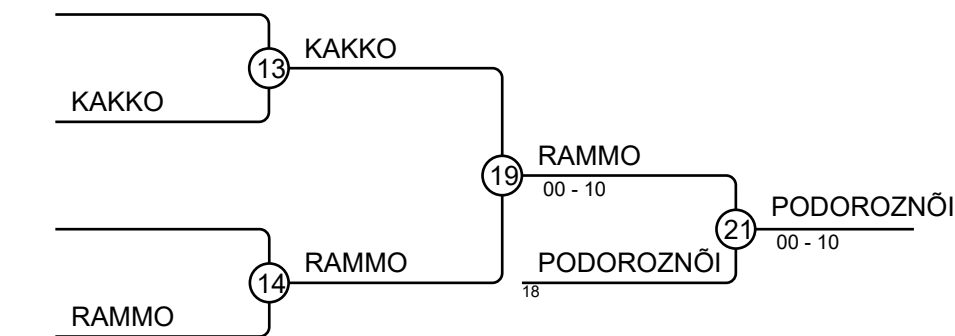
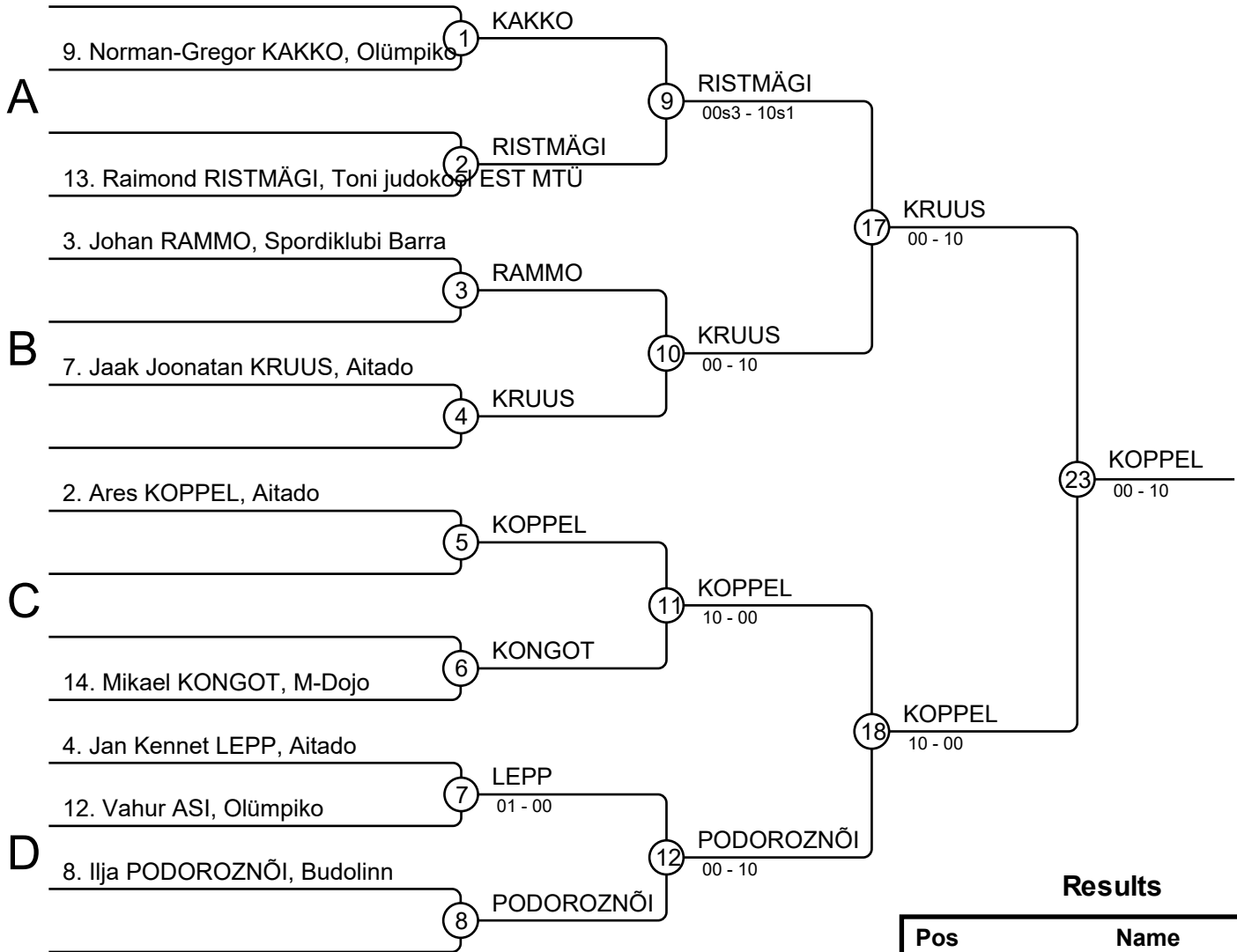
Results

| Pos | Name |
|-----|----------------------------------|
| 1 | Joosep TOOMEL, Spordiklubi Barra |
| 2 | August Martin NURM, Olümpiko |
| 3 | Kristjan TOOM, Spordiklubi Barra |
| 3 | Pavel KROHHOTKO, Kibuvits judo |
| 5 | Kristofer KAAR, Aitado |
| 5 | David RAKITJANSKI, Kibuvits judo |
| 7 | |
| 7 | Riko TAMME, Rapla Judoklubi |



EMV C-klass ja Veteranid 22/04/2023 Tallinn MU14-70

Competitors: 9



Results

| Pos | Name |
|-----|---|
| 1 | Ares KOPPEL, Aitado |
| 2 | Jaak Joonatan KRUUS, Aitado |
| 3 | Ilja PODOROZNÕI, Budolinn |
| 3 | Jan Kennet LEPP, Aitado |
| 5 | Johan RAMMO, Spordiklubi Barra |
| 5 | Raimond RISTMÄGI, Toni judokool EST MTÜ |
| 7 | Norman-Gregor KAKKO, Olümpiko |
| 7 | Mikael KONGOT, M-Dojo |

EMV C-klass ja Veteranid 22/04/2023 Tallinn MU14+70

Competitors: 6

1. Tanel TAMMER, Aitado

A

5. Eskar MURTUZALIEV, Budolinn

① TAMMER
01 - 00s2

B

3. Romet LODDES, Audentese Spordiklubi

② LODDES

C

2. Sebastian MURDLA, SK Taifu / Viljandi SK

③ KABANOV
00 - 10

6. Aleksei KABANOV, Budolinn

D

4. Hubert LIPPUS, Spordiklubi Barra

④ LIPPUS

⑤ LODDES
00 - 11

⑥ LIPPUS
00 - 10

⑪ LIPPUS
00s3 - 10

Results

| Pos | Name |
|-----|--|
| 1 | Hubert LIPPUS, Spordiklubi Barra |
| 2 | Romet LODDES, Audentese Spordiklubi |
| 3 | Aleksei KABANOV, Budolinn |
| 3 | Sebastian MURDLA, SK Taifu / Viljandi SK |
| 5 | Eskar MURTUZALIEV, Budolinn |
| | Tanel TAMMER, Aitado |
| 7 | |
| 7 | |

MURTUZALIEV

1

⑦ MURTUZALIEV

2

⑨ KABANOV
00 - 10

KABANOV

6

MURDLA

3

⑧ MURDLA

4

⑩ MURDLA
10 - 00

TAMMER

5