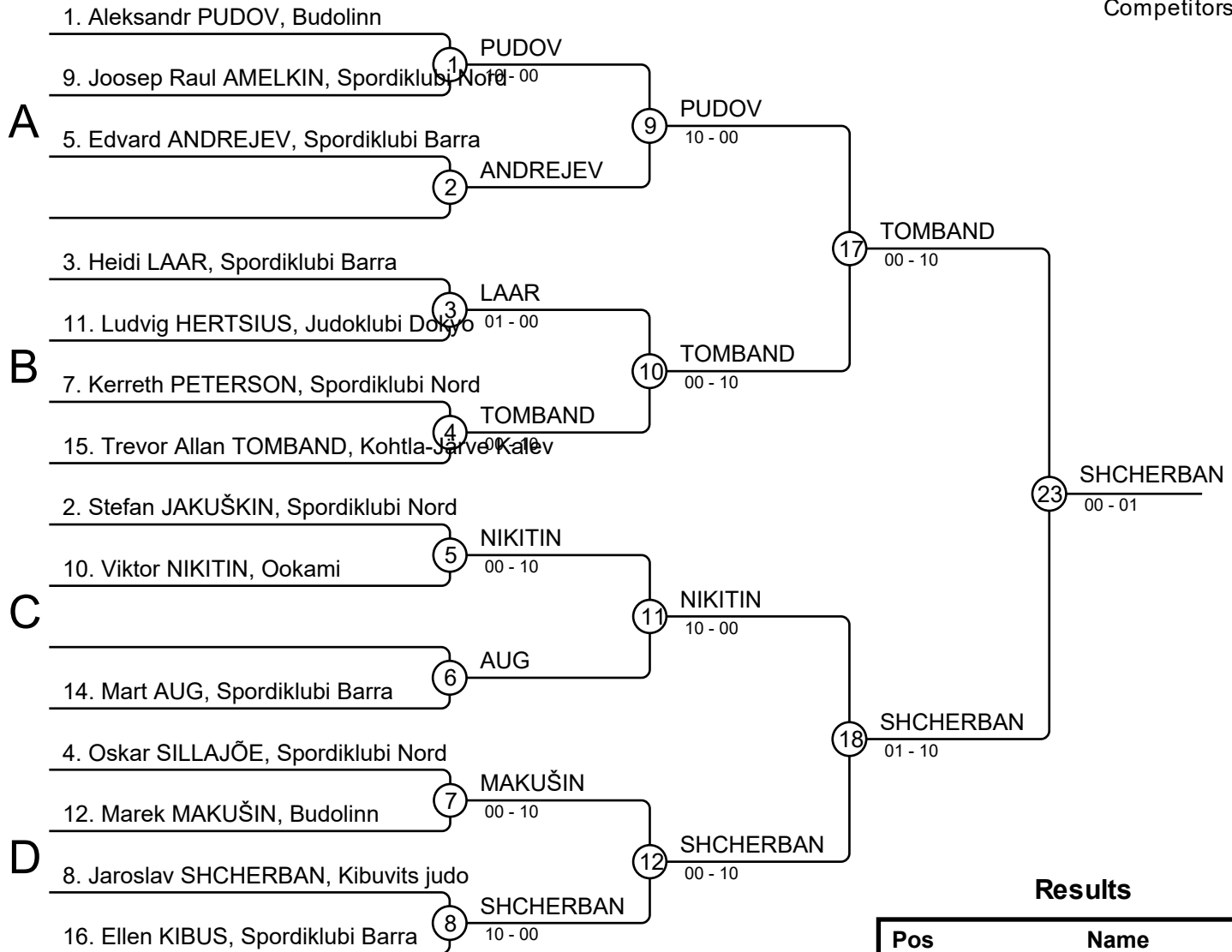


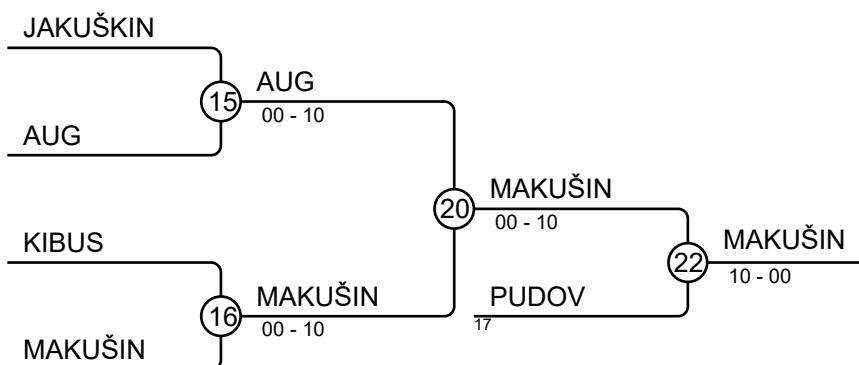
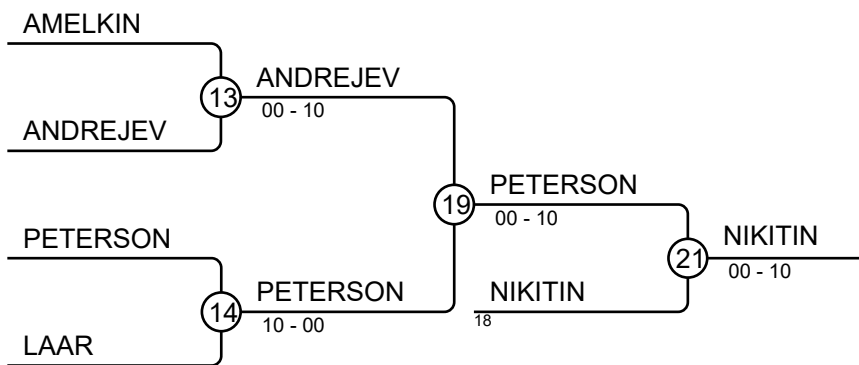
Nord Shiai 01/04/2023 Tallinn U10*-24

Competitors: 14



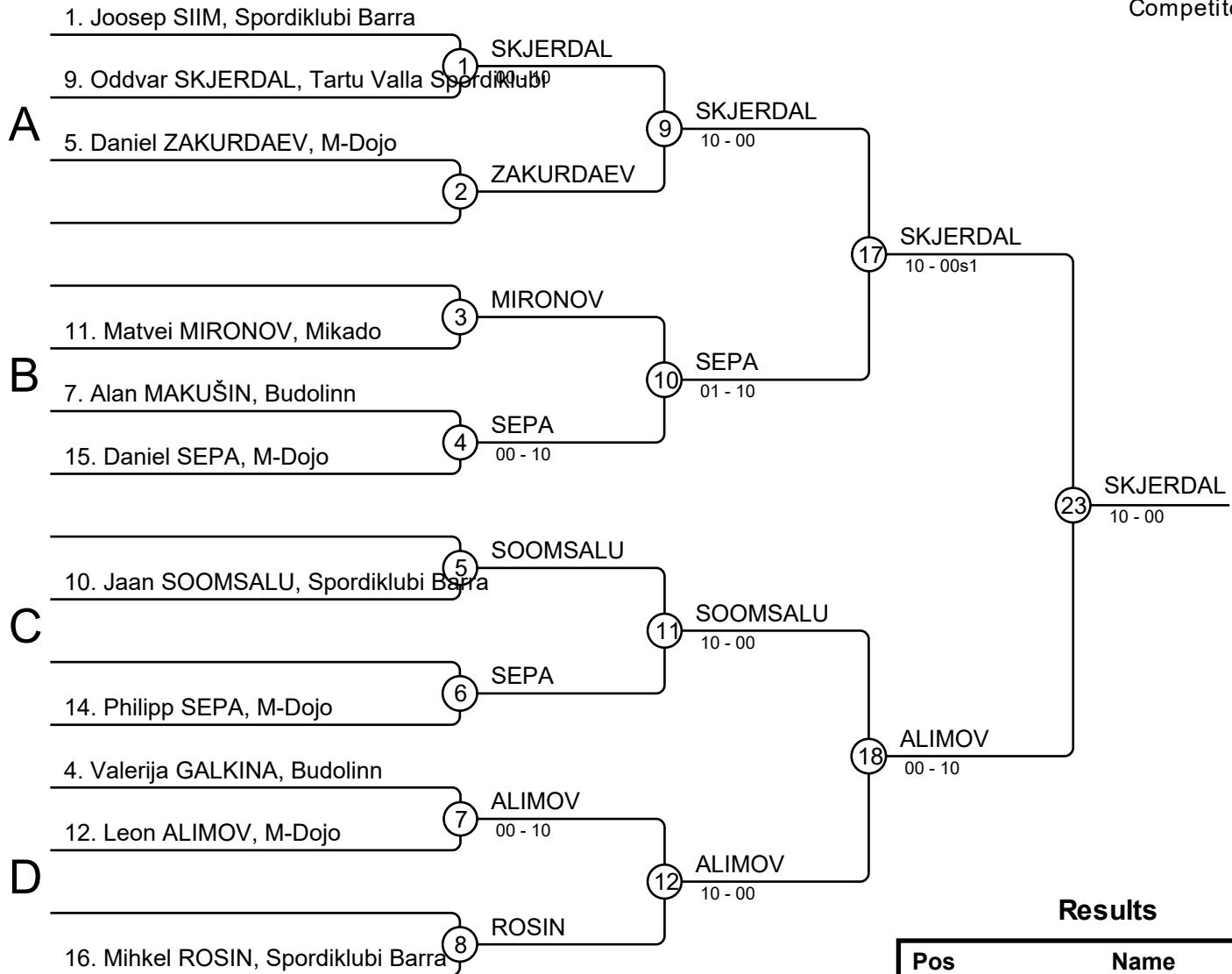
Results

Pos	Name
1	Jaroslav SHCHERBAN, Kibuvits judo
2	Trevor Allan TOMBAND, Kohtla-Järve Kalev
3	Viktor NIKITIN, Ookami
3	Marek MAKUŠIN, Budolinn
5	Kerreth PETERSON, Spordiklubi Nord
5	Aleksandr PUDOV, Budolinn
7	Edvard ANDREJEV, Spordiklubi Barra
7	Mart AUG, Spordiklubi Barra



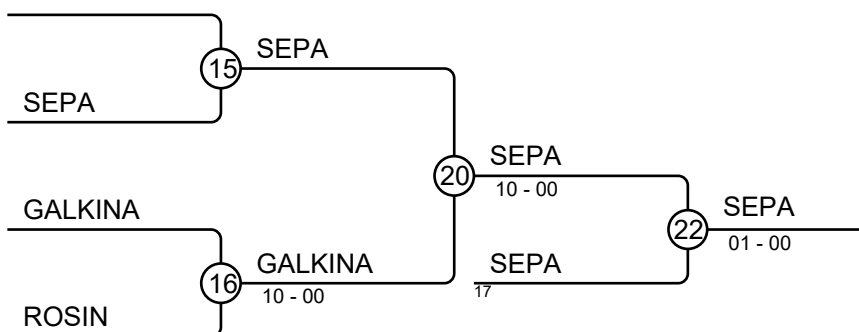
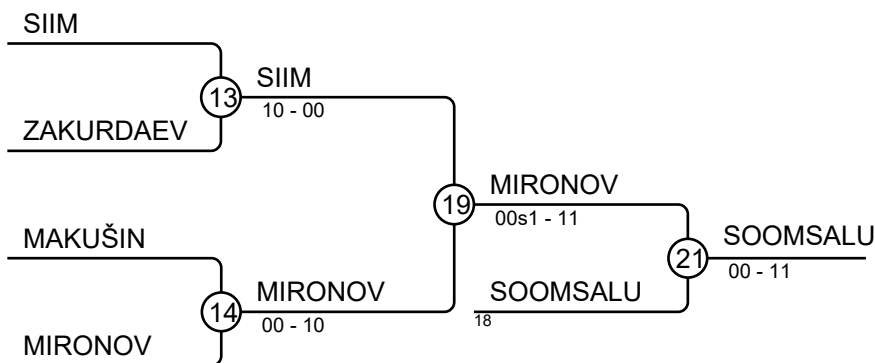
Nord Shiai 01/04/2023 Tallinn U10*-27

Competitors: 11



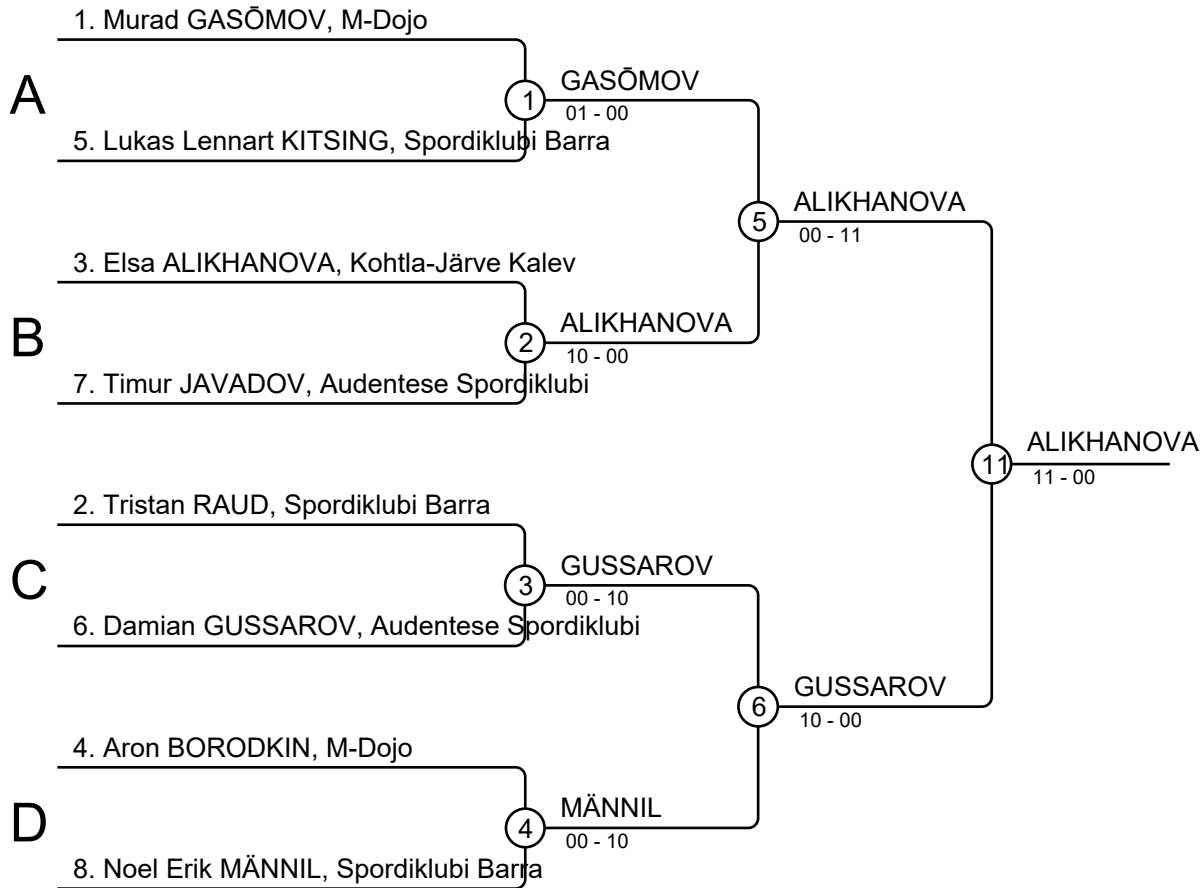
Results

Pos	Name
1	Oddvar SKJERDAL, Tartu Valla Spordiklubi
2	Leon ALIMOV, M-Dojo
3	Jaan SOOMSALU, Spordiklubi Barra
3	Philipp SEPA, M-Dojo
5	Matvei MIRONOV, Mikado
5	Daniel SEPA, M-Dojo
7	Joosep SIIM, Spordiklubi Barra
7	Valerija GALKINA, Budolinn



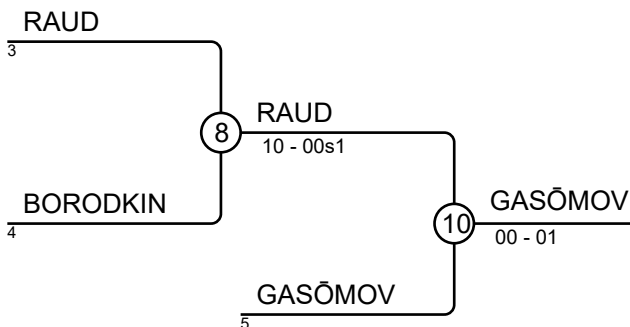
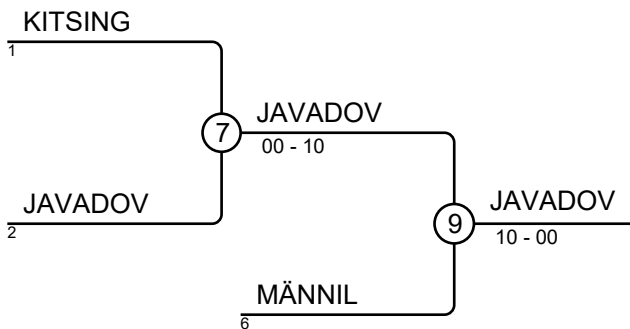
Nord Shiai 01/04/2023 Tallinn U10*-30

Competitors: 8



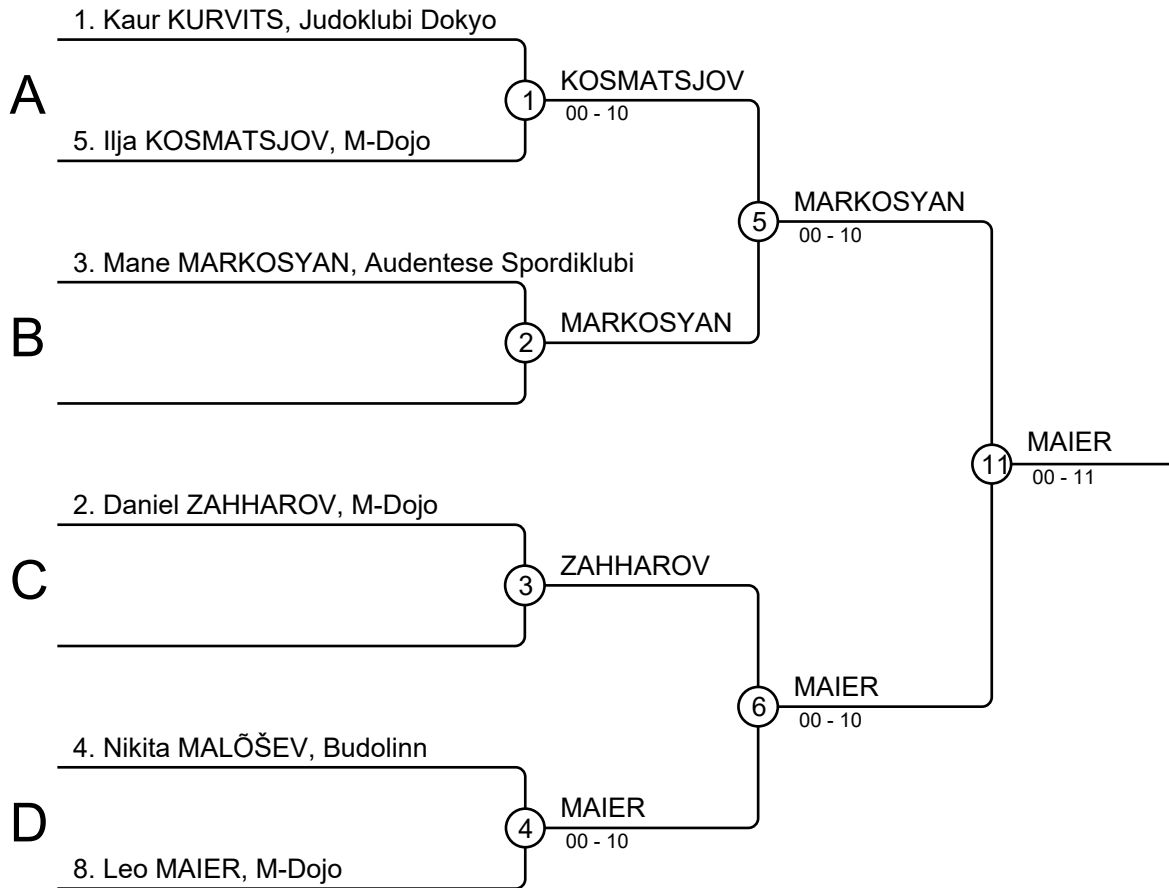
Results

Pos	Name
1	Elsa ALIKHANOVA, Kohtla-Järve Kalev
2	Damian GUSSAROV, Audentese Spordiklubi
3	Timur JAVADOV, Audentese Spordiklubi
3	Murad GASŌMOV, M-Dojo
5	Noel Erik MÄNNIL, Spordiklubi Barra
5	Tristan RAUD, Spordiklubi Barra
7	Lukas Lennart KITSING, Spordiklubi Barra
7	Aron BORODKIN, M-Dojo



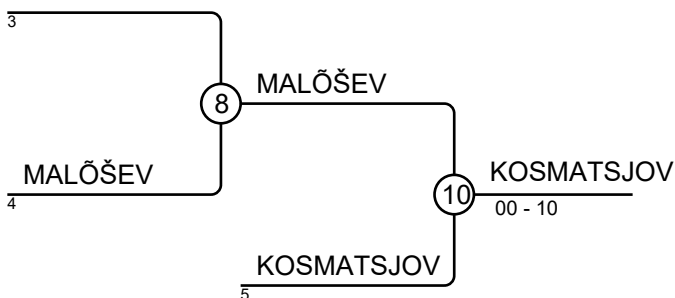
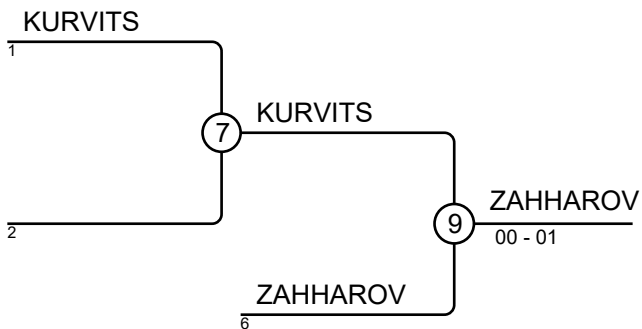
Nord Shiai 01/04/2023 Tallinn U10*-33

Competitors: 6



Results

Pos	Name
1	Leo MAIER, M-Dojo
2	Mane MARKOSYAN, Audentese Spordiklubi
3	Daniel ZAHHAROV, M-Dojo
3	Ilja KOSMATSJOV, M-Dojo
5	Kaur KURVITS, Judoklubi Dokyo
5	Nikita MALÕŠEV, Budolinn
7	
7	



Nord Shiai 01/04/2023 Tallinn U10*-36

Competitors

Competitors: 5

#	Name	Club	1	2	3	4	5	Wins	Pts	Pos
1	Ilian KULAKOV	M-Dojo		10	10		10	3	30	2
2	Demid MOSKOVOI	M-Dojo						0	0	5
3	Loviise STRANDSON	Spordiklubi Nord		10				1	10	4
4	Albert FELDMAN	M-Dojo	10	10	10		1	4	31	1
5	Mihhail SAVTŠENKO	M-Dojo		10	1			2	11	3

Matches

Match	White	Blue	Result	Time
1	Albert FELDMAN	Mihhail SAVTŠENKO	01-00	2:23
2	Ilian KULAKOV	Demid MOSKOVOI	10-00	1:38
3	Loviise STRANDSON	Albert FELDMAN	00-10	0:32
4	Ilian KULAKOV	Mihhail SAVTŠENKO	10-00	0:46
5	Demid MOSKOVOI	Loviise STRANDSON	01-10	1:25
6	Ilian KULAKOV	Albert FELDMAN	00-10	0:59
7	Loviise STRANDSON	Mihhail SAVTŠENKO	00-01s1	2:20
8	Demid MOSKOVOI	Albert FELDMAN	00-10	1:22
9	Ilian KULAKOV	Loviise STRANDSON	10-00	0:08
10	Demid MOSKOVOI	Mihhail SAVTŠENKO	00-10	0:22

Results

Pos	Name
1	Albert FELDMAN, M-Dojo
2	Ilian KULAKOV, M-Dojo
3	Mihhail SAVTŠENKO, M-Dojo
4	Loviise STRANDSON, Spordiklubi Nord
5	Demid MOSKOVOI, M-Dojo

Nord Shiai 01/04/2023 Tallinn U10*-40

Competitors

Competitors: 4

#	Name	Club	1	2	3	4	Wins	Pts	Pos
1	Lars Hugo NORMAK	Spordiklubi Barra		10		10	2	20	2
2	Ats Hendrik ROSIN	Spordiklubi Barra				1	1	1	3
3	Matvei OSHLAKOV	Budolinn	10	10		10	3	30	1
4	Karl-Markus KETKINEN	Judoklubi Dokyo					0	0	4

Matches

Match	White			Blue	Result	Time
1	Lars Hugo NORMAK	1	2	Ats Hendrik ROSIN	10-00	1:58
2	Matvei OSHLAKOV	3	4	Karl-Markus KETKINEN	11-00	0:44
3	Lars Hugo NORMAK	1	3	Matvei OSHLAKOV	00-10	0:08
4	Ats Hendrik ROSIN	2	4	Karl-Markus KETKINEN	10-01s1	1:58
5	Lars Hugo NORMAK	1	4	Karl-Markus KETKINEN	10-00	0:57
6	Ats Hendrik ROSIN	2	3	Matvei OSHLAKOV	00-10	0:42

Results

Pos	Name
1	Matvei OSHLAKOV, Budolinn
2	Lars Hugo NORMAK, Spordiklubi Barra
3	Ats Hendrik ROSIN, Spordiklubi Barra
4	Karl-Markus KETKINEN, Judoklubi Dokyo

Nord Shiai 01/04/2023 Tallinn WU12*-30

Competitors

Competitors: 4

#	Name	Club	1	2	3	4	Wins	Pts	Pos
1	Elsa ALIKHANOVA	Kohtla-Järve Kalev		1	10	10	3	21	1
2	Lizette PÄRNASTE	Spordiklubi Barra			10	1	2	11	2
3	Polina KAPRALOVA	M-Dojo					0	0	4
4	Ainikki VEDERNIKOVA	Energia/Buffen-do			10		1	10	3

Matches

Match	White			Blue	Result	Time
1	Elsa ALIKHANOVA	1	2	Lizette PÄRNASTE	10s1-00s1	2:10
2	Polina KAPRALOVA	3	4	Ainikki VEDERNIKOVA	00-10	0:38
3	Elsa ALIKHANOVA	1	3	Polina KAPRALOVA	10-00	0:56
4	Lizette PÄRNASTE	2	4	Ainikki VEDERNIKOVA	10-00s1	3:00
5	Elsa ALIKHANOVA	1	4	Ainikki VEDERNIKOVA	10-00	0:51
6	Lizette PÄRNASTE	2	3	Polina KAPRALOVA	10-00	0:09

Results

Pos	Name
1	Elsa ALIKHANOVA, Kohtla-Järve Kalev
2	Lizette PÄRNASTE, Spordiklubi Barra
3	Ainikki VEDERNIKOVA, Energia/Buffen-do
4	Polina KAPRALOVA, M-Dojo

Nord Shiai 01/04/2023 Tallinn WU12*-35

Competitors

Competitors: 2

#	Name	Club	1	2	1	2	1	2	Wins	Pts	Pos
1	Siana AVAKJAN	Kohtla-Järve Kalev		10		1			2	11	1
2	Ksenia KOSTISHIN	Kohtla-Järve Kalev							0	0	2

Matches

Match	White			Blue	Result	Time
1	Siana AVAKJAN	1	2	Ksenia KOSTISHIN	10-00	1:20
2	Siana AVAKJAN	1	2	Ksenia KOSTISHIN	10-00s1	2:53
3	Siana AVAKJAN	1	2	Ksenia KOSTISHIN		

Results

Pos	Name
1	Siana AVAKJAN, Kohtla-Järve Kalev
2	Ksenia KOSTISHIN, Kohtla-Järve Kalev

Nord Shiai 01/04/2023 Tallinn WU12*-40

Competitors

Competitors: 1

#	Name	Club	1	Wins	Pts	Pos
1	Mila EINSTEIN	Spordiklubi Altia		0	0	1

Matches

Match	White	Blue	Result	Time
-------	-------	------	--------	------

Results

Pos	Name
1	Mila EINSTEIN, Spordiklubi Altia

Nord Shiai 01/04/2023 Tallinn WU12*-45

Competitors

Competitors: 2

#	Name	Club	1	2	1	2	1	2	Wins	Pts	Pos
1	Leila ALIKHANOVA	Kohtla-Järve Kalev		10		10			2	20	1
2	Angelika Triin NUKK	Spordiklubi Nord							0	0	2

Matches

Match	White			Blue	Result	Time
1	Leila ALIKHANOVA	1	2	Angelika Triin NUKK	10-00	0:00
2	Leila ALIKHANOVA	1	2	Angelika Triin NUKK	10-00	0:00
3	Leila ALIKHANOVA	1	2	Angelika Triin NUKK		

Results

Pos	Name
1	Leila ALIKHANOVA, Kohtla-Järve Kalev
2	Angelika Triin NUKK, Spordiklubi Nord

Nord Shiai 01/04/2023 Tallinn WU12*+45

Competitors

Competitors: 2

#	Name	Club	1	2	1	2	1	2	Wins	Pts	Pos
1	Darja ARM	M-Dojo							0	0	2
2	Marta KIMMEL	SK Taifu / Viljandi SK	10		10				2	20	1

Matches

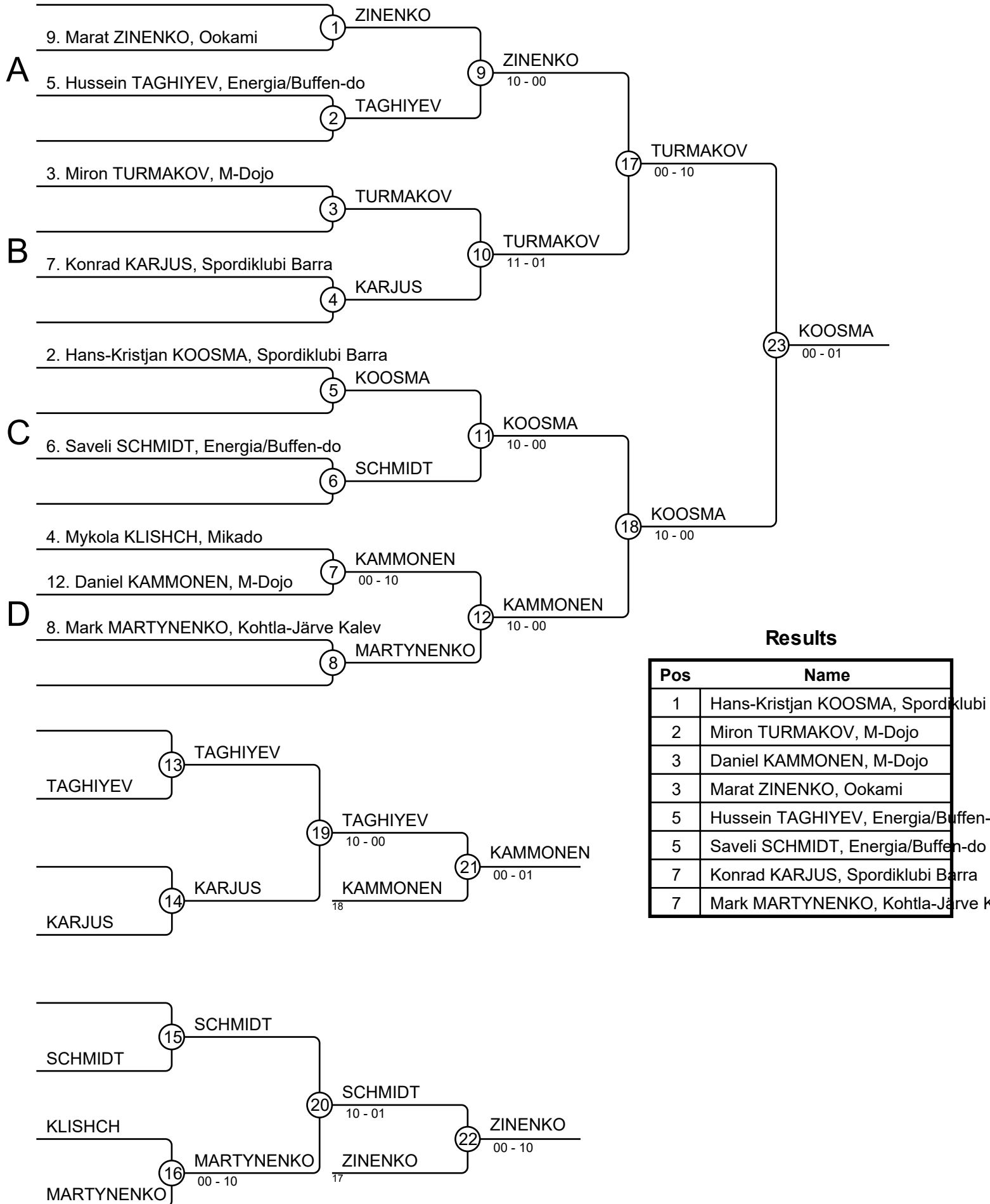
Match	White			Blue	Result	Time
1	Darja ARM	1	2	Marta KIMMEL	00-10	1:00
2	Darja ARM	1	2	Marta KIMMEL	00-10	0:32
3	Darja ARM	1	2	Marta KIMMEL		

Results

Pos	Name
1	Marta KIMMEL, SK Taifu / Viljandi SK
2	Darja ARM, M-Dojo

Nord Shiai 01/04/2023 Tallinn MU12*-27

Competitors: 9



Nord Shiai 01/04/2023 Tallinn MU12*-30

Competitors

Competitors: 5

#	Name	Club	1	2	3	4	5	Wins	Pts	Pos
1	Siim TARVIS	Spordiklubi Altia		1	10	7		3	18	2
2	Otto Robert ROZE	Spordiklubi Barra			10	10		2	20	3
3	Kristofer EVERT	Spordiklubi Nord						0	0	5
4	Mykhailo TEISAR	Kohtla-Järve Kalev			10			1	10	4
5	Henry PRUULSEN	Spordiklubi Barra	7	7	10	1		4	25	1

Matches

Match	White	Blue	Result	Time
1	Mykhailo TEISAR 4 5	Henry PRUULSEN	00-10	2:56
2	Siim TARVIS 1 2	Otto Robert ROZE	10-00	2:00
3	Kristofer EVERT 3 4	Mykhailo TEISAR	00-10	0:28
4	Siim TARVIS 1 5	Henry PRUULSEN	00-01	2:00
5	Otto Robert ROZE 2 3	Kristofer EVERT	10-00	0:48
6	Siim TARVIS 1 4	Mykhailo TEISAR	01-00	2:11
7	Kristofer EVERT 3 5	Henry PRUULSEN	00-10	0:10
8	Otto Robert ROZE 2 4	Mykhailo TEISAR	10-00	0:55
9	Siim TARVIS 1 3	Kristofer EVERT	10-00	0:07
10	Otto Robert ROZE 2 5	Henry PRUULSEN	00-01	2:00

Results

Pos	Name
1	Henry PRUULSEN, Spordiklubi Barra
2	Siim TARVIS, Spordiklubi Altia
3	Otto Robert ROZE, Spordiklubi Barra
4	Mykhailo TEISAR, Kohtla-Järve Kalev
5	Kristofer EVERT, Spordiklubi Nord

Nord Shiai 01/04/2023 Tallinn MU12*-34

Competitors

Competitors: 3

#	Name	Club	1	2	3	Wins	Pts	Pos
1	Arseni JAKOVLEV	Energia/Bufen-do				0	0	3
2	Marcus AARDE	Spordiklubi Barra	1			1	1	2
3	Artur ALIMOV	Kibuvits judo	10	1		2	11	1

Matches

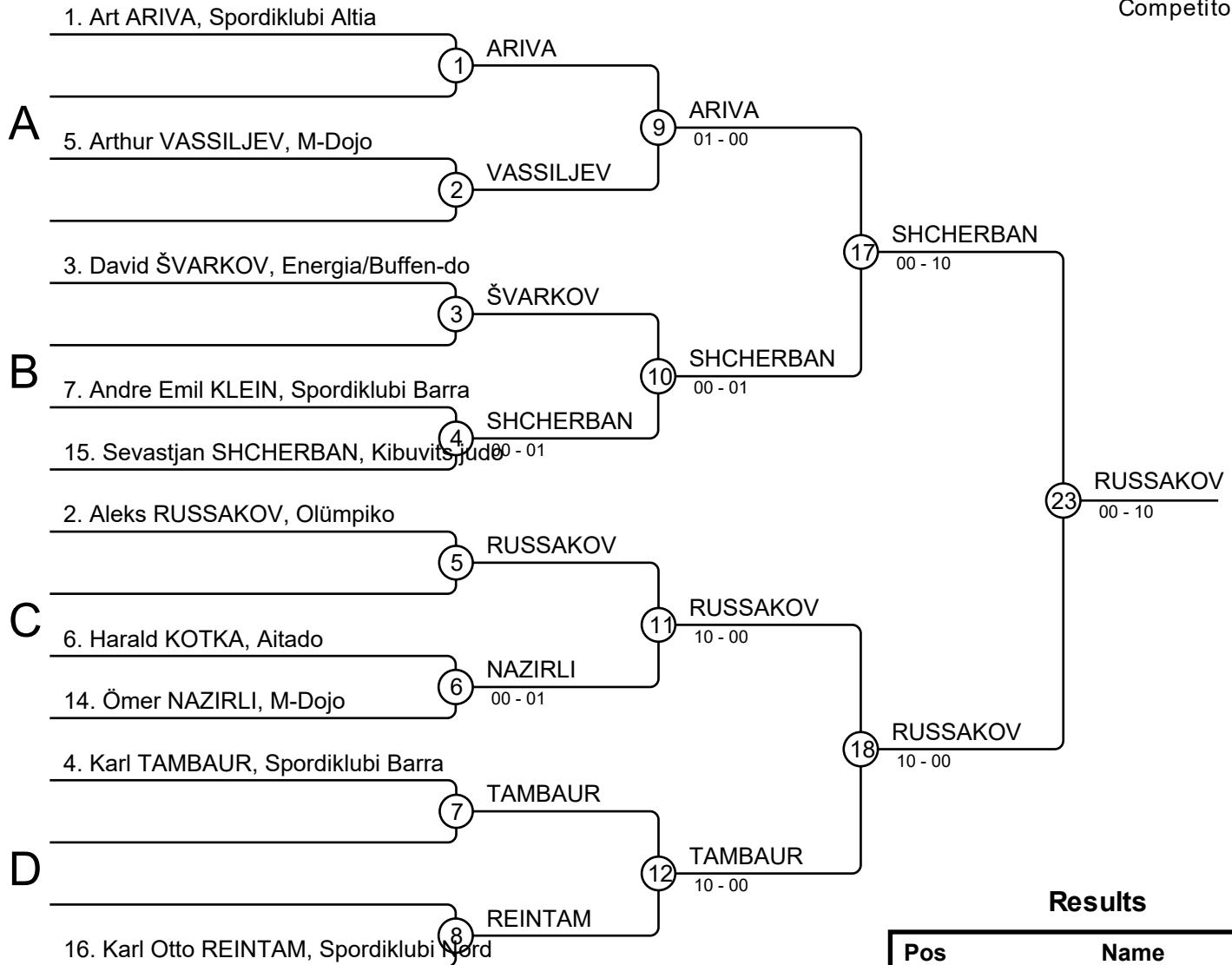
Match	White			Blue	Result	Time
1	Arseni JAKOVLEV	1	2	Marcus AARDE	00-01	2:51
2	Arseni JAKOVLEV	1	3	Artur ALIMOV	00-11	1:45
3	Marcus AARDE	2	3	Artur ALIMOV	00-01	1:17

Results

Pos	Name
1	Artur ALIMOV, Kibuvits judo
2	Marcus AARDE, Spordiklubi Barra
3	Arseni JAKOVLEV, Energia/Bufen-do

Nord Shiai 01/04/2023 Tallinn MU12*-38

Competitors: 10

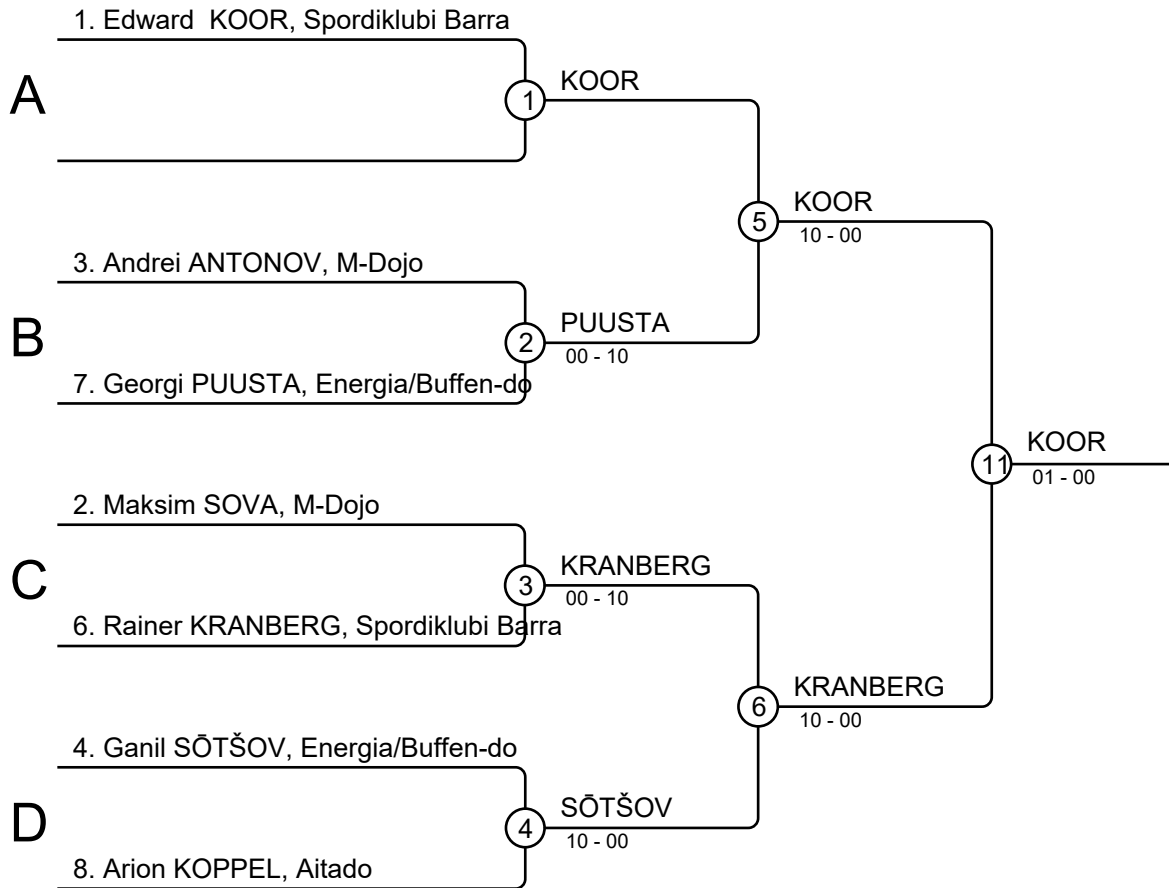


Results

Pos	Name
1	Aleks RUSSAKOV, Olümpiko
2	Sevastjan SHCHERBAN, Kibuvits judo
3	Karl TAMBAUR, Spordiklubi Barra
3	Art ARIVA, Spordiklubi Altia
5	David ŠVARKOV, Energia/Buffer-do
5	Karl Otto REINTAM, Spordiklubi Nord
7	Arthur VASSILJEV, M-Dojo
7	Ömer NAZIRLI, M-Dojo

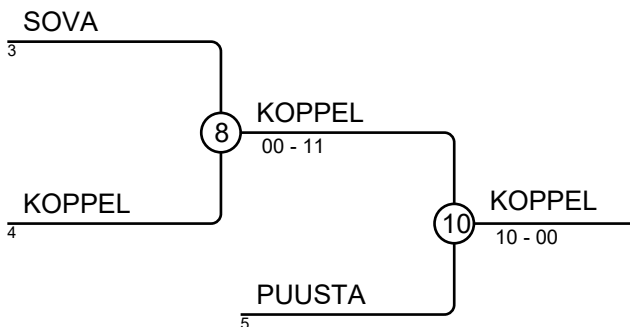
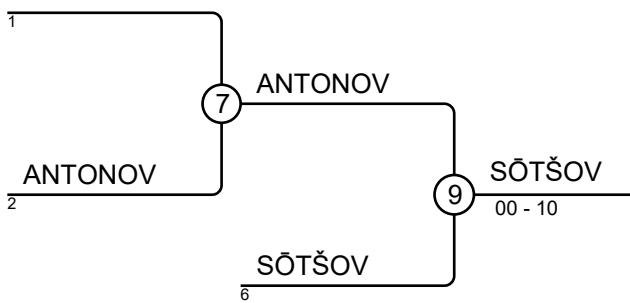
Nord Shiai 01/04/2023 Tallinn MU12*-42

Competitors: 7



Results

Pos	Name
1	Edward KOOR, Spordiklubi Barra
2	Rainer KRANBERG, Spordiklubi Barra
3	Ganil SÕTŠOV, Energia/Buffer-do
3	Arion KOPPEL, Aitado
5	Andrei ANTONOV, M-Dojo
5	Georgi PUUSTA, Energia/Buffer-do
7	
7	Maksim SOVA, M-Dojo



Nord Shiai 01/04/2023 Tallinn MU12*-46

Competitors

Competitors: 3

#	Name	Club	1	2	3	Wins	Pts	Pos
1	Aron Fred SANDER	Spordiklubi Nord			1	1	1	2
2	Demis KNYAZEVA	Kibuvits judo	10		10	2	20	1
3	Rasmus Maximus KUNART	Spordiklubi Barra				0	0	3

Matches

Match	White			Blue	Result	Time
1	Aron Fred SANDER	1	2	Demis KNYAZEVA	00-10	0:27
2	Aron Fred SANDER	1	3	Rasmus Maximus KUNART	10-00s1	3:00
3	Demis KNYAZEVA	2	3	Rasmus Maximus KUNART	10-00	0:36

Results

Pos	Name
1	Demis KNYAZEVA, Kibuvits judo
2	Aron Fred SANDER, Spordiklubi Nord
3	Rasmus Maximus KUNART, Spordiklubi Barra

Nord Shiai 01/04/2023 Tallinn MU12*-50

Competitors

Competitors: 3

#	Name	Club	1	2	3	Wins	Pts	Pos
1	Robert VOLOŠTŠUK	Energia/Buffen-do		10		1	10	2
2	Aron GHIASI	Spordiklubi Nord				0	0	3
3	Paul PUURAIID	Spordiklubi Barra	10	10		2	20	1

Matches

Match	White			Blue	Result	Time
1	Robert VOLOŠTŠUK	1	2	Aron GHIASI	10-00	0:22
2	Robert VOLOŠTŠUK	1	3	Paul PUURAIID	00-10	1:01
3	Aron GHIASI	2	3	Paul PUURAIID	00-10	0:10

Results

Pos	Name
1	Paul PUURAIID, Spordiklubi Barra
2	Robert VOLOŠTŠUK, Energia/Buffen-do
3	Aron GHIASI, Spordiklubi Nord

Nord Shiai 01/04/2023 Tallinn MU12*-55

Competitors

Competitors: 4

#	Name	Club	1	2	3	4	Wins	Pts	Pos
1	Karl-Sander JÄRVIK	Judoklubi Dokyo			7	10	2	17	2
2	Kaur Jakob PORT	Spordiklubi Barra	10		10	10	3	30	1
3	Kirill SLEPIN	M-Dojo				10	1	10	3
4	Airon AARELA	Spordiklubi Nord					0	0	4

Matches

Match	White			Blue	Result	Time
1	Karl-Sander JÄRVIK	1	2	Kaur Jakob PORT	00-10	0:27
2	Kirill SLEPIN	3	4	Airon AARELA	10-00	0:33
3	Karl-Sander JÄRVIK	1	3	Kirill SLEPIN	01-00	2:00
4	Kaur Jakob PORT	2	4	Airon AARELA	10-00	0:16
5	Karl-Sander JÄRVIK	1	4	Airon AARELA	10-00	0:10
6	Kaur Jakob PORT	2	3	Kirill SLEPIN	11-00	1:04

Results

Pos	Name
1	Kaur Jakob PORT, Spordiklubi Barra
2	Karl-Sander JÄRVIK, Judoklubi Dokyo
3	Kirill SLEPIN, M-Dojo
4	Airon AARELA, Spordiklubi Nord

Nord Shiai 01/04/2023 Tallinn MU12*+55

Competitors

Competitors: 1

#	Name	Club	1	Wins	Pts	Pos
1	Airon AARELA	Spordiklubi Nord		0	0	1

Matches

Match	White	Blue	Result	Time
-------	-------	------	--------	------

Results

Pos	Name
1	Airon AARELA, Spordiklubi Nord

Nord Shiai 01/04/2023 Tallinn WU14*-36

Competitors

Competitors: 2

#	Name	Club	1	2	1	2	1	2	Wins	Pts	Pos
1	Ksenia KOSTISHIN	Kohtla-Järve Kalev							0	0	2
2	Siana AVAKJAN	Kohtla-Järve Kalev	10		10				2	20	1

Matches

Match	White			Blue	Result	Time
1	Ksenia KOSTISHIN	1	2	Siana AVAKJAN	00s1-10	2:29
2	Ksenia KOSTISHIN	1	2	Siana AVAKJAN	00-10	0:28
3	Ksenia KOSTISHIN	1	2	Siana AVAKJAN		

Results

Pos	Name
1	Siana AVAKJAN, Kohtla-Järve Kalev
2	Ksenia KOSTISHIN, Kohtla-Järve Kalev

Nord Shiai 01/04/2023 Tallinn WU14-40

Competitors

Competitors: 3

#	Name	Club	1	2	3	Wins	Pts	Pos
1	Roxanne Moniik ORTEGA	Audentese Spordiklubi				0	0	3
2	Mila EINSTEIN	Spordiklubi Altia	10			1	10	2
3	Arina LISOGOR	Energia/Buffer-do	10	10		2	20	1

Matches

Match	White			Blue	Result	Time
1	Roxanne Moniik ORTEGA	1	2	Mila EINSTEIN	00-10	1:25
2	Roxanne Moniik ORTEGA	1	3	Arina LISOGOR	00-10	0:12
3	Mila EINSTEIN	2	3	Arina LISOGOR	00s1-10	0:56

Results

Pos	Name
1	Arina LISOGOR, Energia/Buffer-do
2	Mila EINSTEIN, Spordiklubi Altia
3	Roxanne Moniik ORTEGA, Audentese Spordiklubi

Nord Shiai 01/04/2023 Tallinn WU14-45

Competitors

Competitors: 4

#	Name	Club	1	2	3	4	Wins	Pts	Pos
1	Elo PÕLDMA	Spordiklubi Altia		10	10		2	20	2
2	Karolina TŠERMOŠENTSEVA	M-Dojo					0	0	4
3	Leila ALIKHANOVA	Kohtla-Järve Kalev		10			1	10	3
4	Anastasia BUZINA	Kibuvits judo	1	10	10		3	21	1

Matches

Match	White			Blue	Result	Time
1	Elo PÕLDMA	1	2	Karolina TŠERMOŠENTSEVA	10-00	0:49
2	Leila ALIKHANOVA	3	4	Anastasia BUZINA	00-10	1:34
3	Elo PÕLDMA	1	3	Leila ALIKHANOVA	10-00	0:11
4	Karolina TŠERMOŠENTSEVA	2	4	Anastasia BUZINA	00-10	1:08
5	Elo PÕLDMA	1	4	Anastasia BUZINA	01s1-10s2	3:10
6	Karolina TŠERMOŠENTSEVA	2	3	Leila ALIKHANOVA	00-10	2:22

Results

Pos	Name
1	Anastasia BUZINA, Kibuvits judo
2	Elo PÕLDMA, Spordiklubi Altia
3	Leila ALIKHANOVA, Kohtla-Järve Kalev
4	Karolina TŠERMOŠENTSEVA, M-Dojo

Nord Shiai 01/04/2023 Tallinn WU14*-52

Competitors

Competitors: 2

#	Name	Club	1	2	1	2	1	2	Wins	Pts	Pos
1	Marleen SANDER	Aitado							0	0	2
2	Luisa PISEK	Spordiklubi Altia	10		10				2	20	1

Matches

Match	White			Blue	Result	Time
1	Marleen SANDER	1	2	Luisa PISEK	00-11	1:01
2	Marleen SANDER	1	2	Luisa PISEK	00-10	1:23
3	Marleen SANDER	1	2	Luisa PISEK		

Results

Pos	Name
1	Luisa PISEK, Spordiklubi Altia
2	Marleen SANDER, Aitado

Nord Shiai 01/04/2023 Tallinn WU14-52

Competitors

Competitors: 3

#	Name	Club	1	2	3	Wins	Pts	Pos
1	Ksenia KASK	Rapla Judoklubi				0	0	3
2	Loore LEPIK	Spordiklubi Barra	10			1	10	2
3	Cara LASS	Judoklubi Dokyo	10	10		2	20	1

Matches

Match	White			Blue	Result	Time
1	Ksenia KASK	1	2	Loore LEPIK	00-10	0:05
2	Ksenia KASK	1	3	Cara LASS	00-10	0:11
3	Loore LEPIK	2	3	Cara LASS	00-10	1:54

Results

Pos	Name
1	Cara LASS, Judoklubi Dokyo
2	Loore LEPIK, Spordiklubi Barra
3	Ksenia KASK, Rapla Judoklubi

Nord Shiai 01/04/2023 Tallinn WU14*-60

Competitors

Competitors: 1

#	Name	Club	1	Wins	Pts	Pos
1	Maria LAUL	Judoklubi Dokyo		0	0	1

Matches

Match	White	Blue	Result	Time
-------	-------	------	--------	------

Results

Pos	Name
1	Maria LAUL, Judoklubi Dokyo

Nord Shiai 01/04/2023 Tallinn WU14-60

Competitors

Competitors: 2

#	Name	Club	1	2	1	2	1	2	Wins	Pts	Pos
1	Maria LAUL	Judoklubi Dokyo							0	0	2
2	Anastasia ZAHHAROVA	Kibuvits judo	10		10				2	20	1

Matches

Match	White			Blue	Result	Time
1	Maria LAUL	1	2	Anastasia ZAHHAROVA	00-10	0:07
2	Maria LAUL	1	2	Anastasia ZAHHAROVA	00-10	0:58
3	Maria LAUL	1	2	Anastasia ZAHHAROVA		

Results

Pos	Name
1	Anastasia ZAHHAROVA, Kibuvits judo
2	Maria LAUL, Judoklubi Dokyo

Nord Shiai 01/04/2023 Tallinn WU14+60

Competitors

Competitors: 2

#	Name	Club	1	2	1	2	1	2	Wins	Pts	Pos
1	Getter KAJAK	Spordiklubi Altia							0	0	2
2	Heleri OLEV	Judoklubi Dokyo	10		10				2	20	1

Matches

Match	White			Blue	Result	Time
1	Getter KAJAK	1	2	Heleri OLEV	00-10	0:06
2	Getter KAJAK	1	2	Heleri OLEV	00-10	0:04
3	Getter KAJAK	1	2	Heleri OLEV		

Results

Pos	Name
1	Heleri OLEV, Judoklubi Dokyo
2	Getter KAJAK, Spordiklubi Altia

Nord Shiai 01/04/2023 Tallinn MU14*-32

Competitors

Competitors: 1

#	Name	Club	1	Wins	Pts	Pos
1	Otto Robert ROZE	Spordiklubi Barra		0	0	1

Matches

Match	White	Blue	Result	Time
-------	-------	------	--------	------

Results

Pos	Name
1	Otto Robert ROZE, Spordiklubi Barra

Nord Shiai 01/04/2023 Tallinn MU14-32

Competitors

Competitors: 5

#	Name	Club	1	2	3	4	5	Wins	Pts	Pos
1	Toomas-Viljar KALBERG	Energia/Buffer-do						0	0	5
2	Siim TARVIS	Spordiklubi Altia	10				1	2	11	3
3	Adrian GUSSAROV	Audentese Spordiklubi	10	10		10	10	4	40	1
4	Marcus AARDE	Spordiklubi Barra	10	7			1	3	18	2
5	Otto Robert ROZE	Spordiklubi Barra	10					1	10	4

Matches

Match	White	Blue	Result	Time
1	Marcus AARDE	Otto Robert ROZE	4 5 10-01	3:27
2	Toomas-Viljar KALBERG	Siim TARVIS	1 2 00-10	0:06
3	Adrian GUSSAROV	Marcus AARDE	3 4 10-00	2:22
4	Toomas-Viljar KALBERG	Otto Robert ROZE	1 5 01-10	0:51
5	Siim TARVIS	Adrian GUSSAROV	2 3 00-11	2:53
6	Toomas-Viljar KALBERG	Marcus AARDE	1 4 00-10	0:57
7	Adrian GUSSAROV	Otto Robert ROZE	3 5 10-00	0:49
8	Siim TARVIS	Marcus AARDE	2 4 00s1-01	3:00
9	Toomas-Viljar KALBERG	Adrian GUSSAROV	1 3 00-10	0:17
10	Siim TARVIS	Otto Robert ROZE	2 5 10-00s1	4:00

Results

Pos	Name
1	Adrian GUSSAROV, Audentese Spordiklubi
2	Marcus AARDE, Spordiklubi Barra
3	Siim TARVIS, Spordiklubi Altia
4	Otto Robert ROZE, Spordiklubi Barra
5	Toomas-Viljar KALBERG, Energia/Buffer-do

Nord Shiai 01/04/2023 Tallinn MU14*-35

Competitors

Competitors: 2

#	Name	Club	1	2	1	2	1	2	Wins	Pts	Pos
1	Nils HERTSIUS	Judoklubi Dokyo							0	0	2
2	Peeter PIIRSALU	Spordiklubi Barra	10		10				2	20	1

Matches

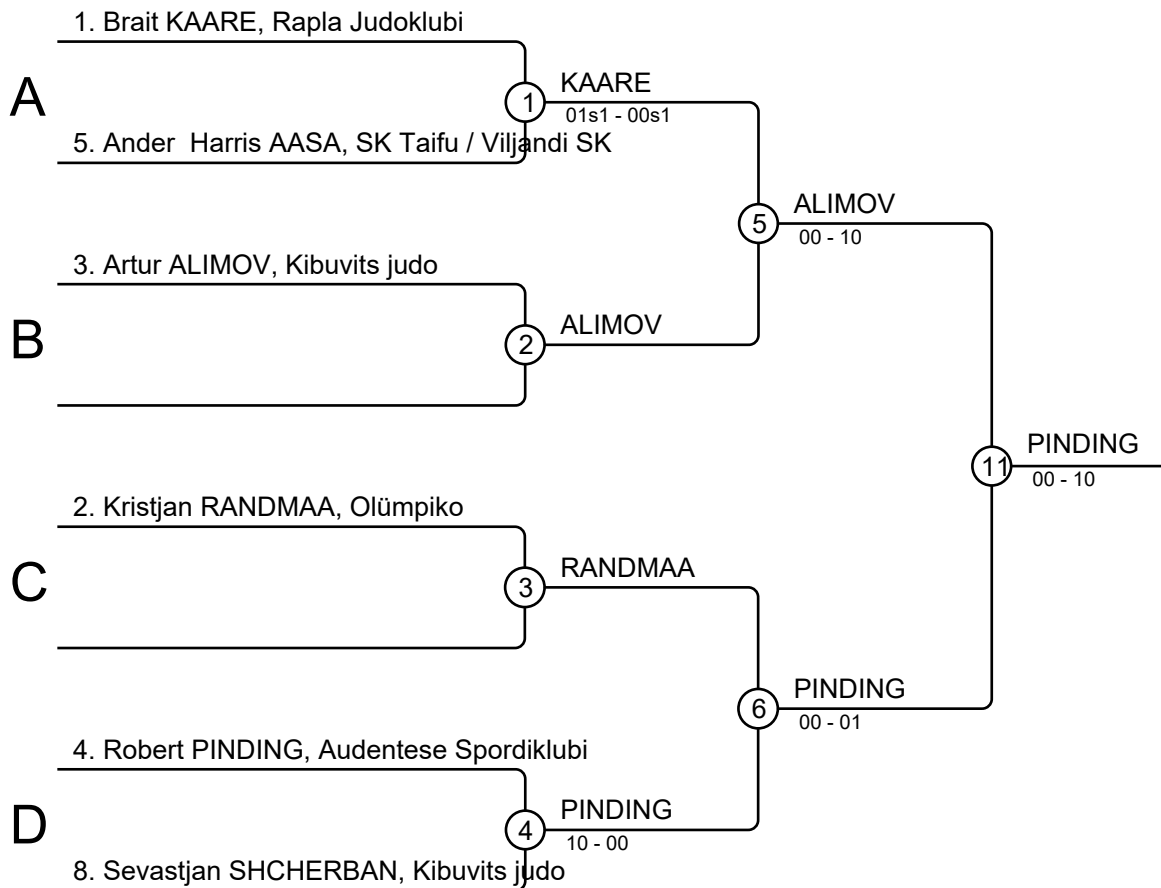
Match	White			Blue	Result	Time
1	Nils HERTSIUS	1	2	Peeter PIIRSALU	00-10s1	1:12
2	Nils HERTSIUS	1	2	Peeter PIIRSALU	00-10	0:36
3	Nils HERTSIUS	1	2	Peeter PIIRSALU		

Results

Pos	Name
1	Peeter PIIRSALU, Spordiklubi Barra
2	Nils HERTSIUS, Judoklubi Dokyo

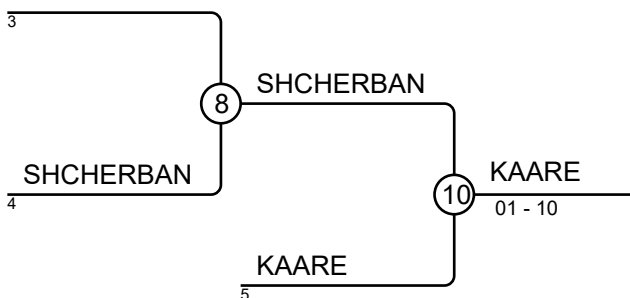
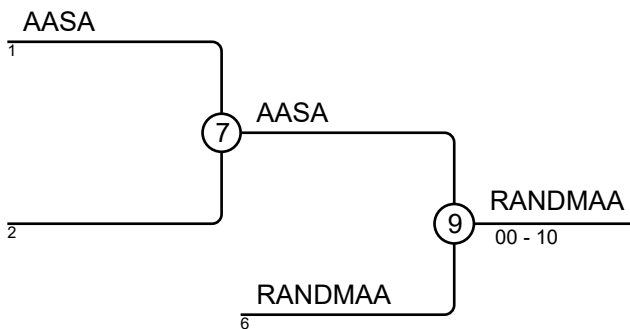
Nord Shiai 01/04/2023 Tallinn MU14-35

Competitors: 6



Results

Pos	Name
1	Robert PINDING, Audentese Spordiklubi
2	Artur ALIMOV, Kibuvits judo
3	Kristjan RANDMAA, Olümpiko
3	Brait KAARE, Rapla Judoklubi
5	Ander Harris AASA, SK Taifu / Viljandi SK
5	Sevastjan SHCHERBAN, Kibuvits judo
7	
7	



Nord Shiai 01/04/2023 Tallinn MU14*-38

Competitors

Competitors: 1

#	Name	Club	1	Wins	Pts	Pos
1	Frank Antoni RAHU	Rapla Judoklubi		0	0	1

Matches

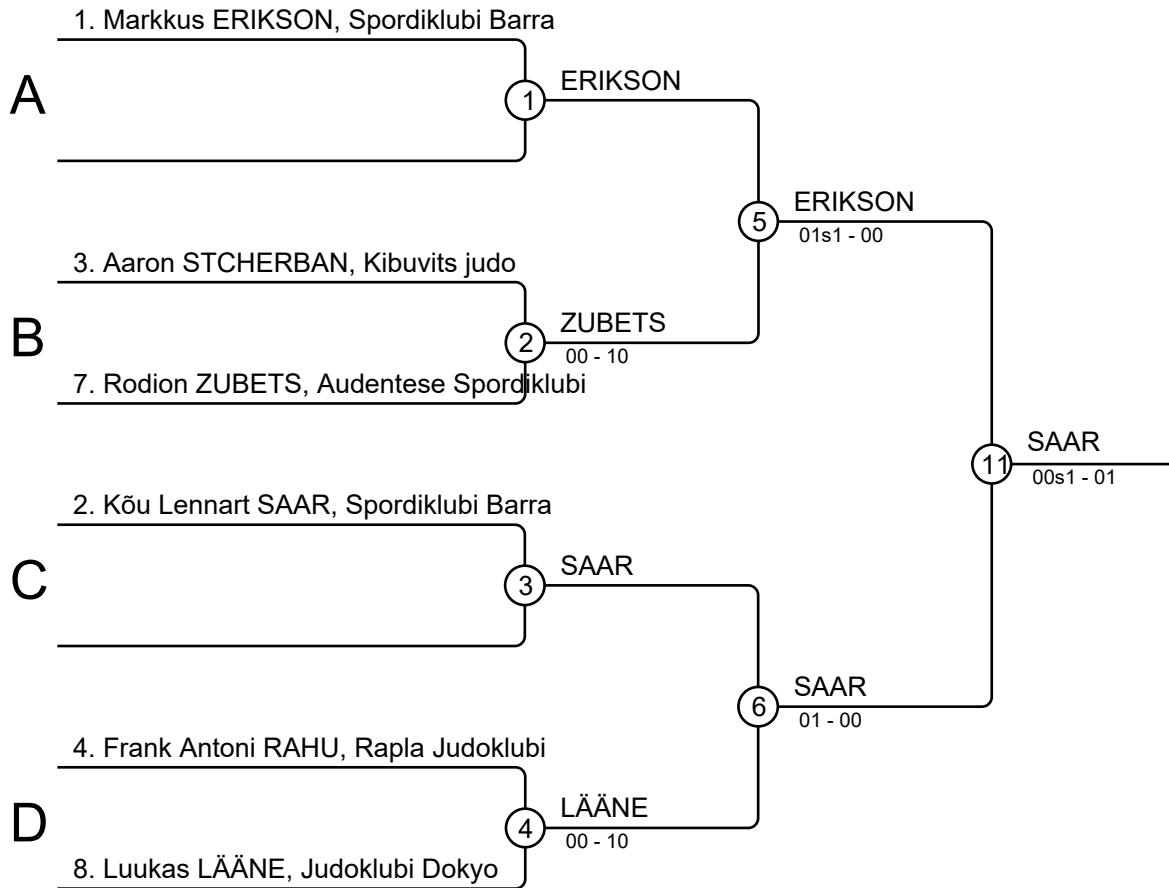
Match	White	Blue	Result	Time
-------	-------	------	--------	------

Results

Pos	Name
1	Frank Antoni RAHU, Rapla Judoklubi

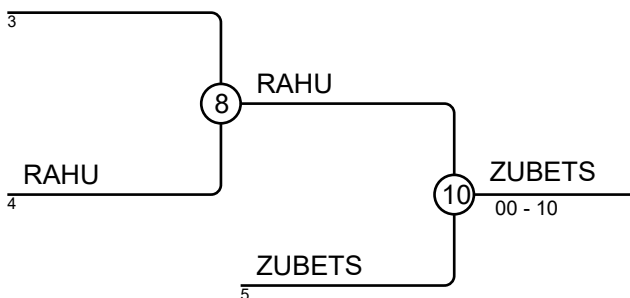
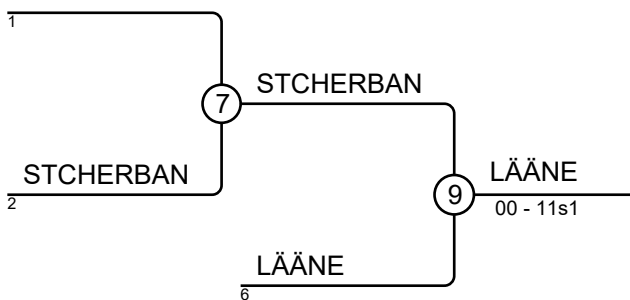
Nord Shiai 01/04/2023 Tallinn MU14-38

Competitors: 6



Results

Pos	Name
1	Kõu Lennart SAAR, Spordiklubi Barra
2	Markkus ERIKSON, Spordiklubi Barra
3	Luukas LÄÄNE, Judoklubi Dokyo
3	Rodion ZUBETS, Audentese Spordiklubi
5	Aaron STCHERBAN, Kibuvits judo
5	Frank Antoni RAHU, Rapla Judoklubi
7	
7	



Nord Shiai 01/04/2023 Tallinn MU14*-42

Competitors

Competitors: 1

#	Name	Club	1	Wins	Pts	Pos
1	Madis IVASK	Spordiklubi Altia		0	0	1

Matches

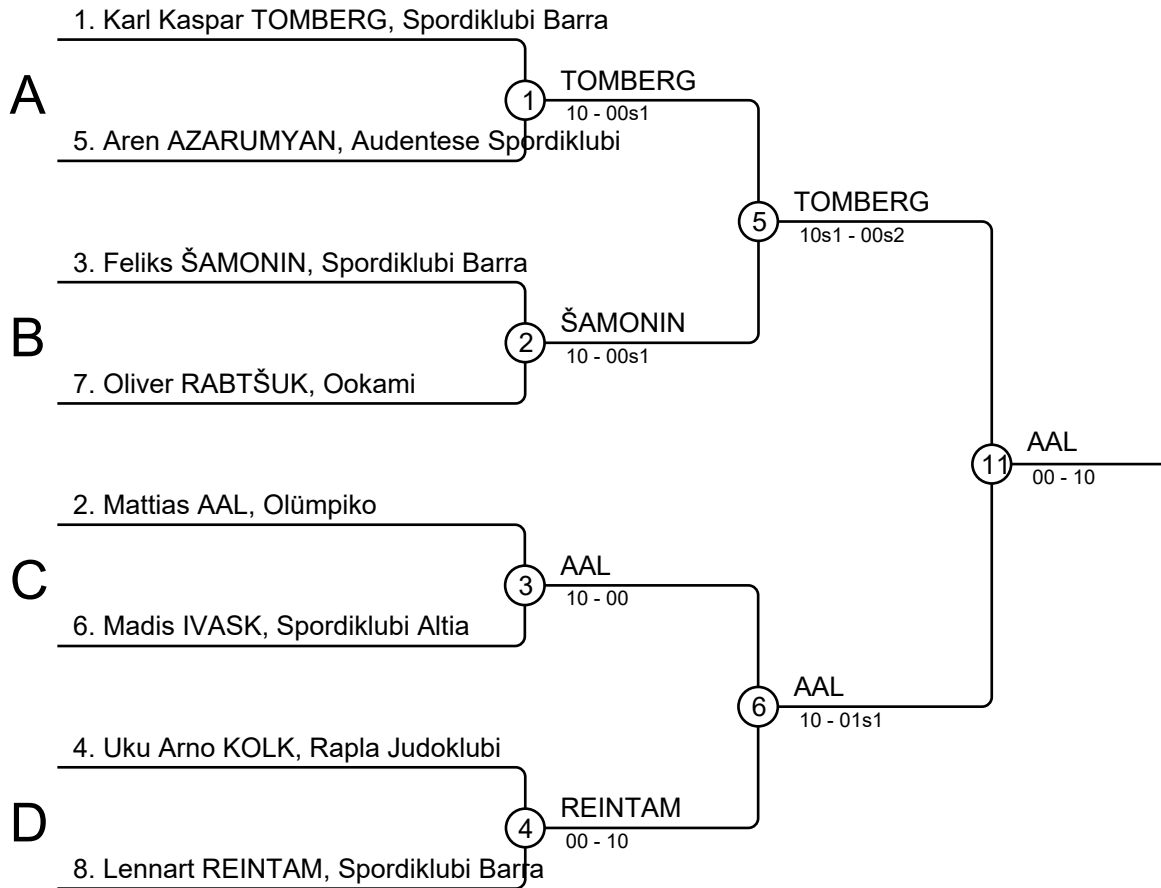
Match	White	Blue	Result	Time
-------	-------	------	--------	------

Results

Pos	Name
1	Madis IVASK, Spordiklubi Altia

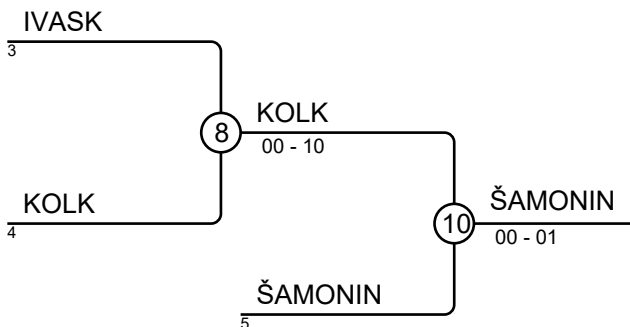
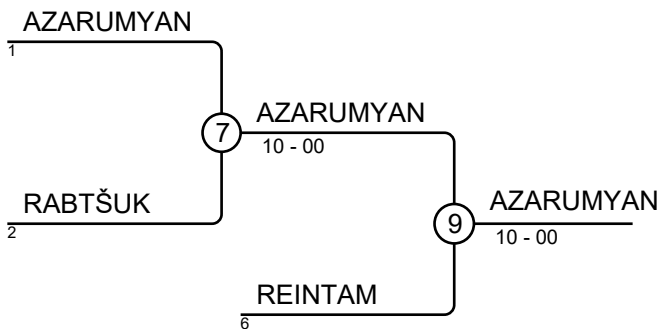
Nord Shiai 01/04/2023 Tallinn MU14-42

Competitors: 8



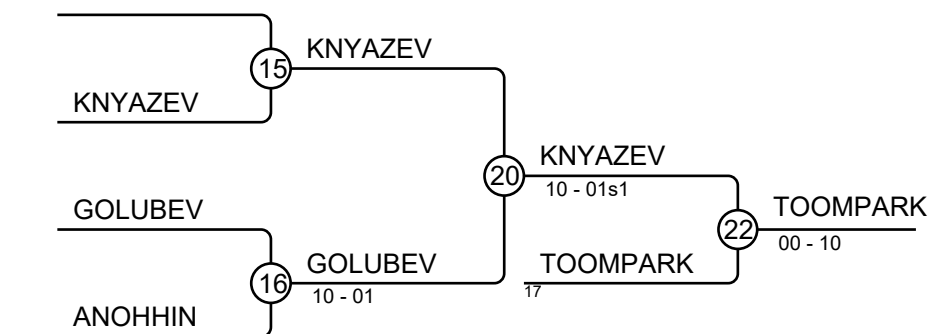
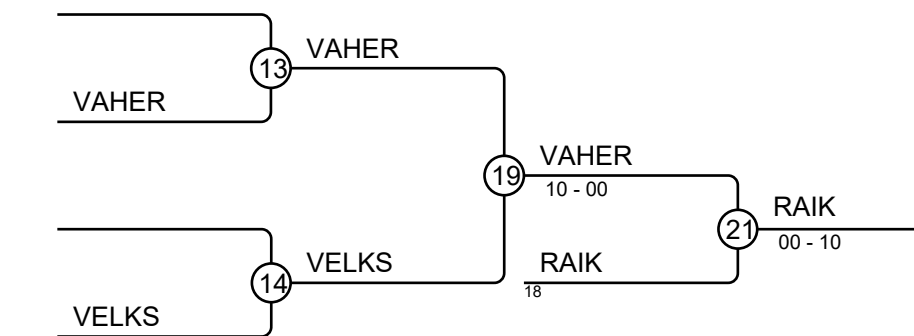
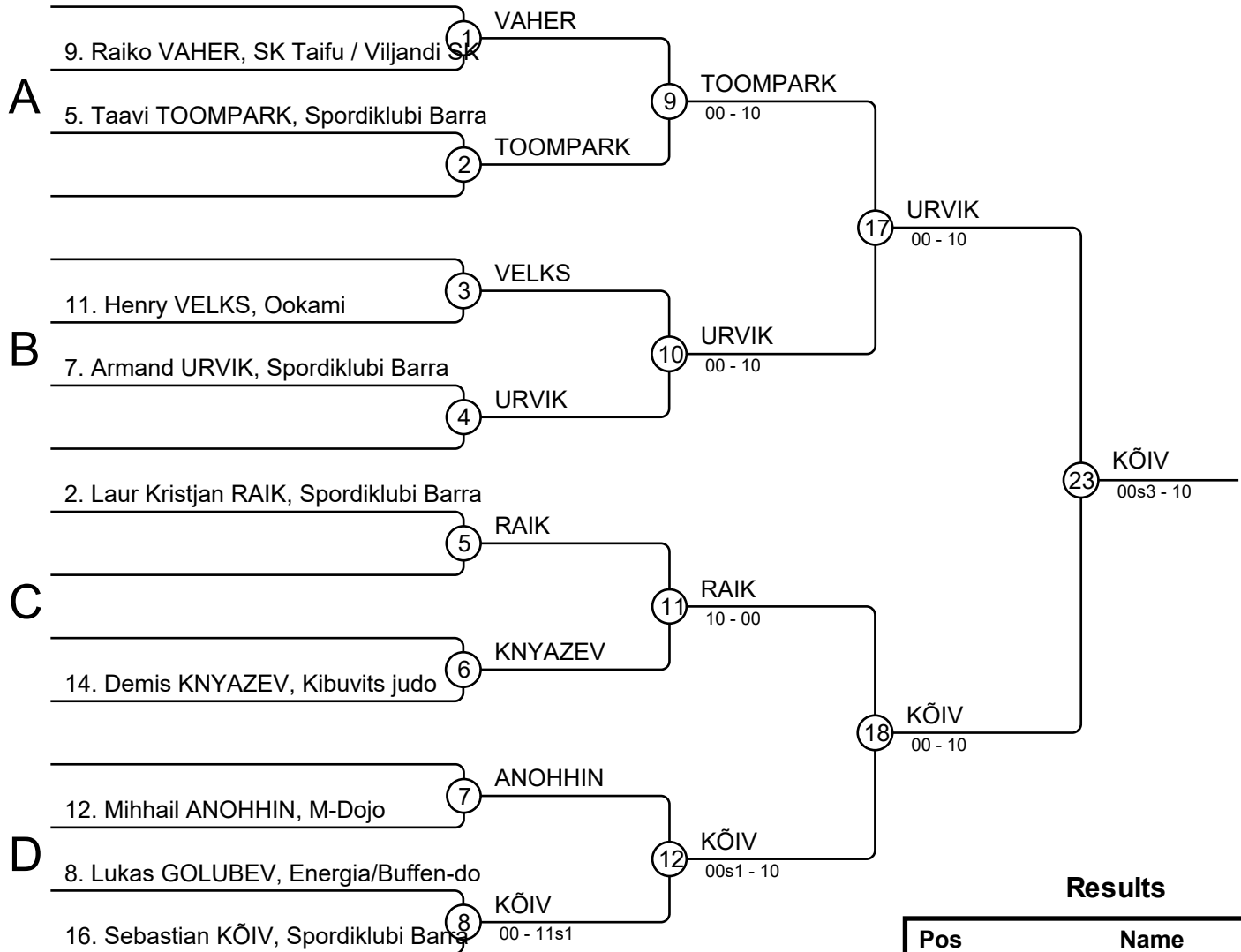
Results

Pos	Name
1	Mattias AAL, Olümpiko
2	Karl Kaspar TOMBERG, Spordiklubi Barra
3	Aren AZARUMYAN, Audentese Spordiklubi
3	Feliks ŠAMONIN, Spordiklubi Barra
5	Lennart REINTAM, Spordiklubi Barra
5	Uku Arno KOLK, Rapla Judoklubi
7	Oliver RABTŠUK, Ookami
7	Madis IVASK, Spordiklubi Altia



Nord Shiai 01/04/2023 Tallinn MU14-46

Competitors: 9



Results

Pos	Name
1	Sebastian KÕIV, Spordiklubi Barra
2	Armand URVIK, Spordiklubi Barra
3	Laur Kristjan RAIK, Spordiklubi Barra
3	Taavi TOOMPARK, Spordiklubi Barra
5	Raiko VAHER, SK Taifu / Viljandi SK
5	Demis KNYAZEV, Kibuvits judo
7	Henry VELKS, Ookami
7	Lukas GOLUBEV, Energia/Buffer-do

Nord Shiai 01/04/2023 Tallinn MU14*-50

Competitors

Competitors: 2

#	Name	Club	1	2	1	2	1	2	Wins	Pts	Pos
1	Enrico OJA	Aitado							0	0	2
2	Jakob PIHLAK	Spordiklubi Altia	1		10				2	11	1

Matches

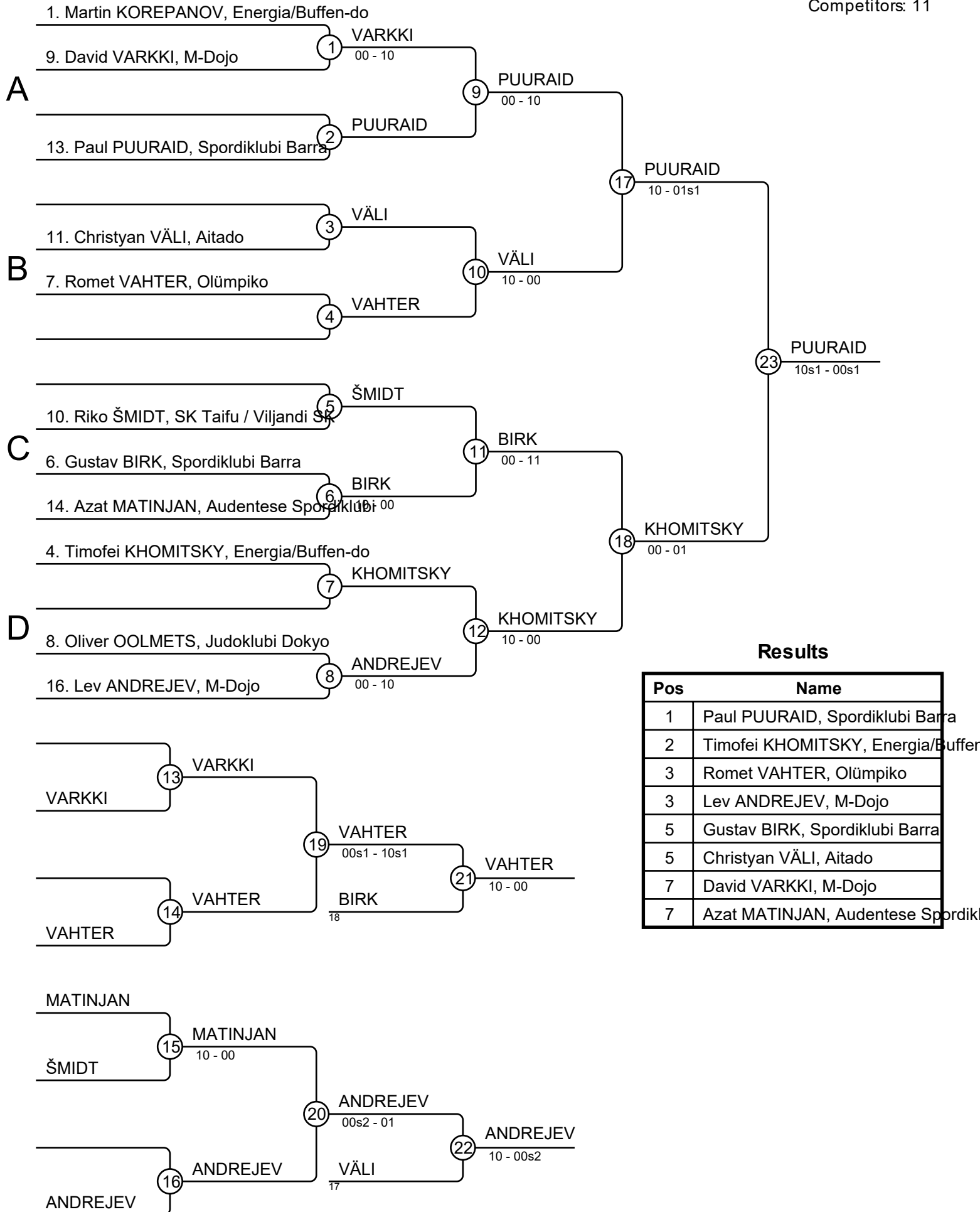
Match	White			Blue	Result	Time
1	Enrico OJA	1	2	Jakob PIHLAK	00s1-01	3:47
2	Enrico OJA	1	2	Jakob PIHLAK	00-10	1:17
3	Enrico OJA	1	2	Jakob PIHLAK		

Results

Pos	Name
1	Jakob PIHLAK, Spordiklubi Altia
2	Enrico OJA, Aitado

Nord Shiai 01/04/2023 Tallinn MU14-50

Competitors: 11



Nord Shiai 01/04/2023 Tallinn MU14*-55

Competitors

Competitors: 3

#	Name	Club	1	2	3	Wins	Pts	Pos
1	Karl-Sander JÄRVIK	Judoklubi Dokyo				0	0	3
2	Kristofer KALBRE	Judoklubi Dokyo	10			1	10	2
3	Jaan VELING	Judoklubi Dokyo	7	10		2	17	1

Matches

Match	White			Blue	Result	Time
1	Karl-Sander JÄRVIK	1	2	Kristofer KALBRE	00-10s1	1:07
2	Karl-Sander JÄRVIK	1	3	Jaan VELING	00-01	3:00
3	Kristofer KALBRE	2	3	Jaan VELING	01-10	1:47

Results

Pos	Name
1	Jaan VELING, Judoklubi Dokyo
2	Kristofer KALBRE, Judoklubi Dokyo
3	Karl-Sander JÄRVIK, Judoklubi Dokyo

Nord Shiai 01/04/2023 Tallinn MU14-55

Competitors

Competitors: 5

#	Name	Club	1	2	3	4	5	Wins	Pts	Pos
1	Amir ALIKHANOV	Kohtla-Järve Kalev		10	10	10	10	4	40	1
2	Ruben VABARNA	Spordiklubi Barra			10	10	10	3	30	2
3	Kuldar VOROBJOV	SK Taifu / Viljandi SK				10	10	2	20	3
4	Jürgen ANSI	Rapla Judoklubi					10	1	10	4
5	Mikk HEINLOO	Spordiklubi Nord						0	0	5

Matches

Match	White	Blue	Result	Time
1	Jürgen ANSI	Mikk HEINLOO	10-01	1:53
2	Amir ALIKHANOV	Ruben VABARNA	11-00	0:17
3	Kuldar VOROBJOV	Jürgen ANSI	11-01	3:00
4	Amir ALIKHANOV	Mikk HEINLOO	10-00	0:04
5	Ruben VABARNA	Kuldar VOROBJOV	10-00	1:05
6	Amir ALIKHANOV	Jürgen ANSI	10-00	0:58
7	Kuldar VOROBJOV	Mikk HEINLOO	10-00	0:09
8	Ruben VABARNA	Jürgen ANSI	10-00	1:24
9	Amir ALIKHANOV	Kuldar VOROBJOV	10-00	0:26
10	Ruben VABARNA	Mikk HEINLOO	10-00	0:49

Results

Pos	Name
1	Amir ALIKHANOV, Kohtla-Järve Kalev
2	Ruben VABARNA, Spordiklubi Barra
3	Kuldar VOROBJOV, SK Taifu / Viljandi SK
4	Jürgen ANSI, Rapla Judoklubi
5	Mikk HEINLOO, Spordiklubi Nord

Nord Shiai 01/04/2023 Tallinn MU14-62

Competitors

Competitors: 3

#	Name	Club	1	2	3	Wins	Pts	Pos
1	Joosep TOOMEL	Spordiklubi Barra		10	10	2	20	1
2	Kristjan TOOM	Spordiklubi Barra				0	0	3
3	August Martin NURM	Olümpiko		10		1	10	2

Matches

Match	White			Blue	Result	Time
1	Joosep TOOMEL	1	2	Kristjan TOOM	10-00	0:49
2	Joosep TOOMEL	1	3	August Martin NURM	10-00	1:04
3	Kristjan TOOM	2	3	August Martin NURM	00-11	0:45

Results

Pos	Name
1	Joosep TOOMEL, Spordiklubi Barra
2	August Martin NURM, Olümpiko
3	Kristjan TOOM, Spordiklubi Barra

Nord Shiai 01/04/2023 Tallinn MU14-70

Competitors

Competitors: 3

#	Name	Club	1	2	3	Wins	Pts	Pos
1	Ares KOPPEL	Aitado		10	10	2	20	1
2	Jaak Joonatan KRUUS	Aitado			10	1	10	2
3	Mikael KONGOT	M-Dojo				0	0	3

Matches

Match	White			Blue	Result	Time
1	Ares KOPPEL	1	2	Jaak Joonatan KRUUS	10-00	0:12
2	Ares KOPPEL	1	3	Mikael KONGOT	10-00	0:58
3	Jaak Joonatan KRUUS	2	3	Mikael KONGOT	10-01	1:08

Results

Pos	Name
1	Ares KOPPEL, Aitado
2	Jaak Joonatan KRUUS, Aitado
3	Mikael KONGOT, M-Dojo

Nord Shiai 01/04/2023 Tallinn MU14*+70

Competitors

Competitors: 1

#	Name	Club	1	Wins	Pts	Pos
1	Johann RAMMO	Spordiklubi Barra		0	0	1

Matches

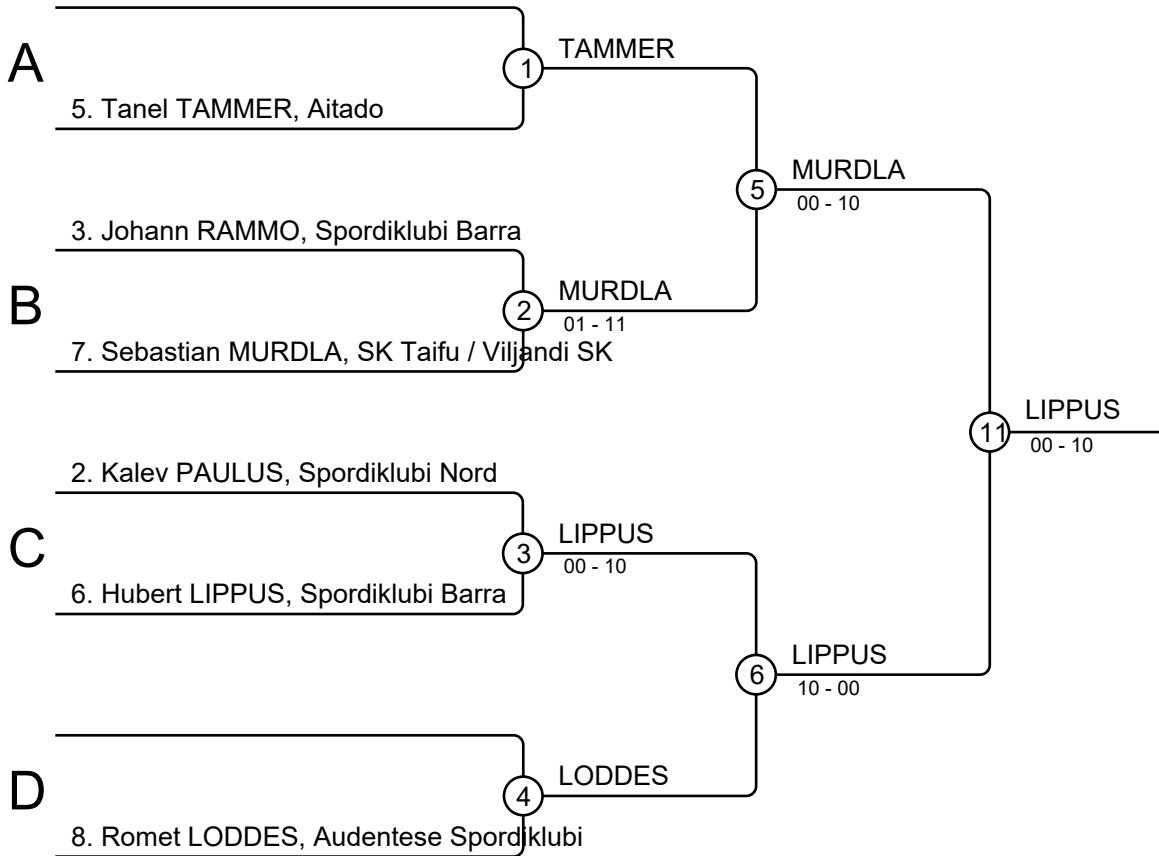
Match	White	Blue	Result	Time
-------	-------	------	--------	------

Results

Pos	Name
1	Johann RAMMO, Spordiklubi Barra

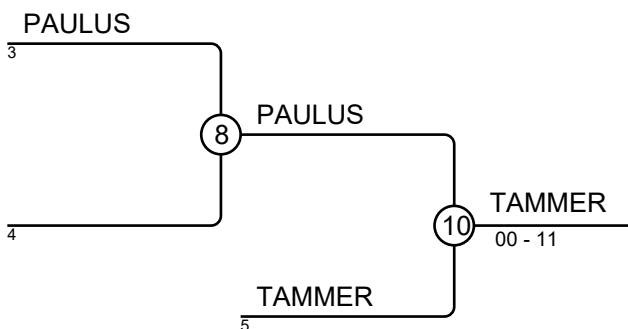
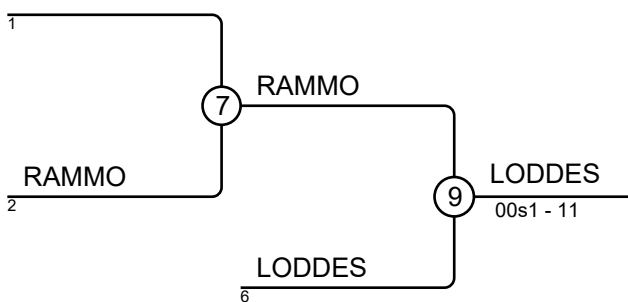
Nord Shiai 01/04/2023 Tallinn MU14+70

Competitors: 6



Results

Pos	Name
1	Hubert LIPPUS, Spordiklubi Barra
2	Sebastian MURDLA, SK Taifu / Viljan
3	Romet LODDES, Audentese Spordikl
3	Tanel TAMMER, Aitado
5	Johann RAMMO, Spordiklubi Barra
5	Kalev PAULUS, Spordiklubi Nord
7	
7	



Nord Shiai 01/04/2023 Tallinn WU16-44

Competitors

Competitors: 3

#	Name	Club	1	2	3	Wins	Pts	Pos
1	Ketlin SEMJONOV	SK Taifu / Viljandi SK		10	10	2	20	1
2	Karina POLJAKOVA	Kohtla-Järve Kalev				0	0	3
3	Anna AZARUMYAN	Audentese Spordiklubi		1		1	1	2

Matches

Match	White	Blue	Result	Time
1	Ketlin SEMJONOV	Karina POLJAKOVA	10-00	0:35
2	Ketlin SEMJONOV	Anna AZARUMYAN	11-00	0:48
3	Karina POLJAKOVA	Anna AZARUMYAN	00-10	4:16

Results

Pos	Name
1	Ketlin SEMJONOV, SK Taifu / Viljandi SK
2	Anna AZARUMYAN, Audentese Spordiklubi
3	Karina POLJAKOVA, Kohtla-Järve Kalev

Nord Shiai 01/04/2023 Tallinn WU16-48

Competitors

Competitors: 1

#	Name	Club	1	Wins	Pts	Pos
1	Maryna KALIUZHNA	Kohtla-Järve Kalev		0	0	1

Matches

Match	White	Blue	Result	Time
-------	-------	------	--------	------

Results

Pos	Name
1	Maryna KALIUZHNA, Kohtla-Järve Kalev

Nord Shiai 01/04/2023 Tallinn WU16-57

Competitors

Competitors: 2

#	Name	Club	1	2	1	2	1	2	Wins	Pts	Pos
1	Anastasia ZAHHAROVA	Kibuvits judo				10			1	10	2
2	Mai Mirtel UMBLIA	Spordiklubi Altia	10				10		2	20	1

Matches

Match	White			Blue	Result	Time
1	Anastasia ZAHHAROVA	1	2	Mai Mirtel UMBLIA	00-10	1:22
2	Anastasia ZAHHAROVA	1	2	Mai Mirtel UMBLIA	10-00	0:55
3	Anastasia ZAHHAROVA	1	2	Mai Mirtel UMBLIA	00-10	1:33

Results

Pos	Name
1	Mai Mirtel UMBLIA, Spordiklubi Altia
2	Anastasia ZAHHAROVA, Kibuvits judo

Nord Shiai 01/04/2023 Tallinn WU16-63

Competitors

Competitors: 2

#	Name	Club	1	2	1	2	1	2	Wins	Pts	Pos
1	Heleri OLEV	Judoklubi Dokyo							0	0	2
2	Alisa GROMOVA	Budolinn	10		10				2	20	1

Matches

Match	White			Blue	Result	Time
1	Heleri OLEV	1	2	Alisa GROMOVA	00-10	0:34
2	Heleri OLEV	1	2	Alisa GROMOVA	00-10s1	1:04
3	Heleri OLEV	1	2	Alisa GROMOVA		

Results

Pos	Name
1	Alisa GROMOVA, Budolinn
2	Heleri OLEV, Judoklubi Dokyo

Nord Shiai 01/04/2023 Tallinn WU16+63

Competitors

Competitors: 3

#	Name	Club	1	2	3	Wins	Pts	Pos
1	Evelina ROOSI	Energia/Buffern-do				0	0	3
2	Getter ARUKAEVU	Ookami	10		10	2	20	1
3	EVA-KRISTIINA GONTŠAROV	M-Dojo	7			1	7	2

Matches

Match	White			Blue	Result	Time
1	Evelina ROOSI	1	2	Getter ARUKAEVU	00-10	0:44
2	Evelina ROOSI	1	3	EVA-KRISTIINA GONTŠAROV	00s1-01	3:00
3	Getter ARUKAEVU	2	3	EVA-KRISTIINA GONTŠAROV	10-00s1	2:07

Results

Pos	Name
1	Getter ARUKAEVU, Ookami
2	EVA-KRISTIINA GONTŠAROV, M-Dojo
3	Evelina ROOSI, Energia/Buffern-do

Nord Shiai 01/04/2023 Tallinn MU16-38

Competitors

Competitors: 1

#	Name	Club	1	Wins	Pts	Pos
1	Kõu Lennart SAAR	Spordiklubi Barra		0	0	1

Matches

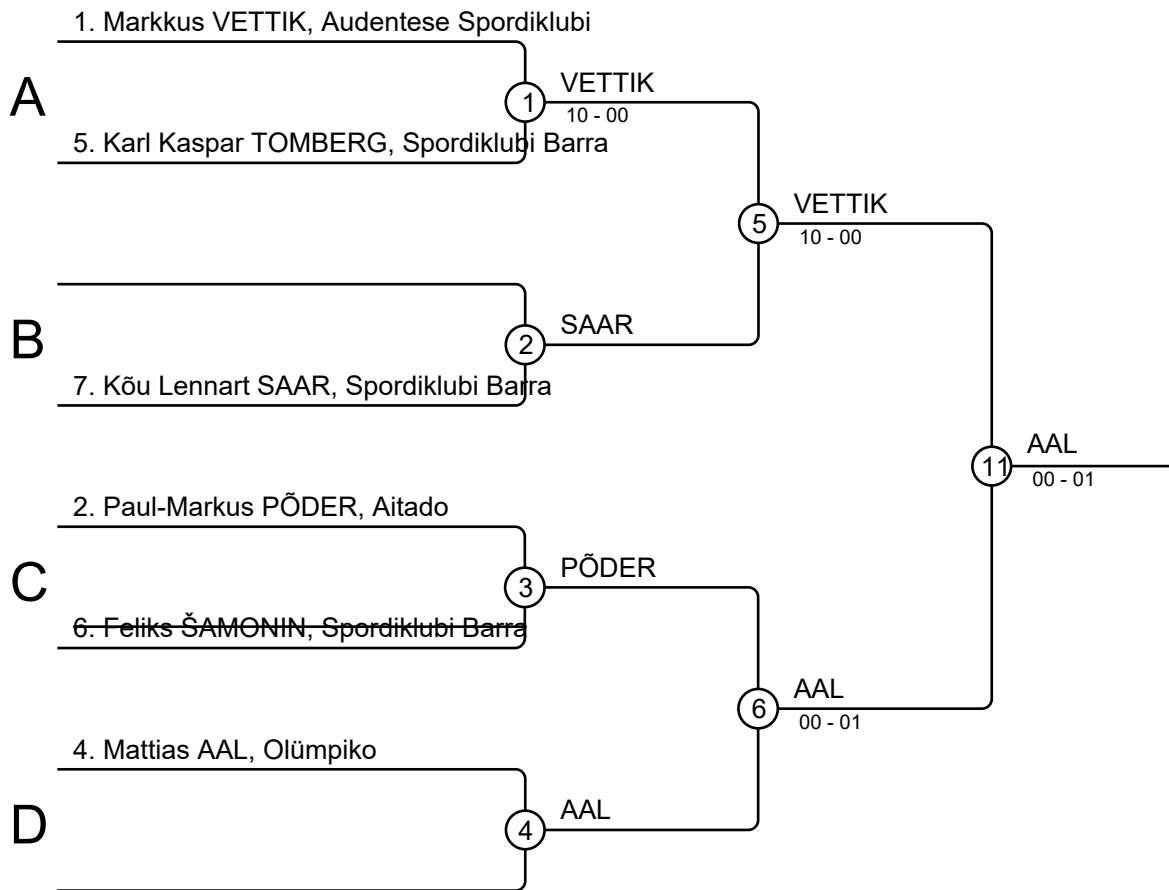
Match	White	Blue	Result	Time
-------	-------	------	--------	------

Results

Pos	Name
1	Kõu Lennart SAAR, Spordiklubi Barra

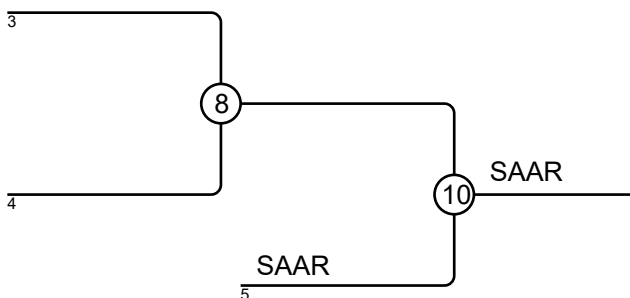
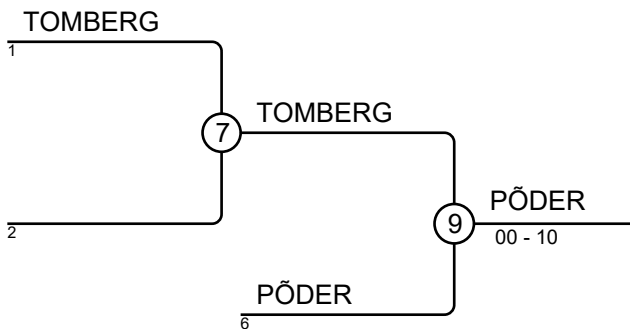
Nord Shiai 01/04/2023 Tallinn MU16-42

Competitors: 6



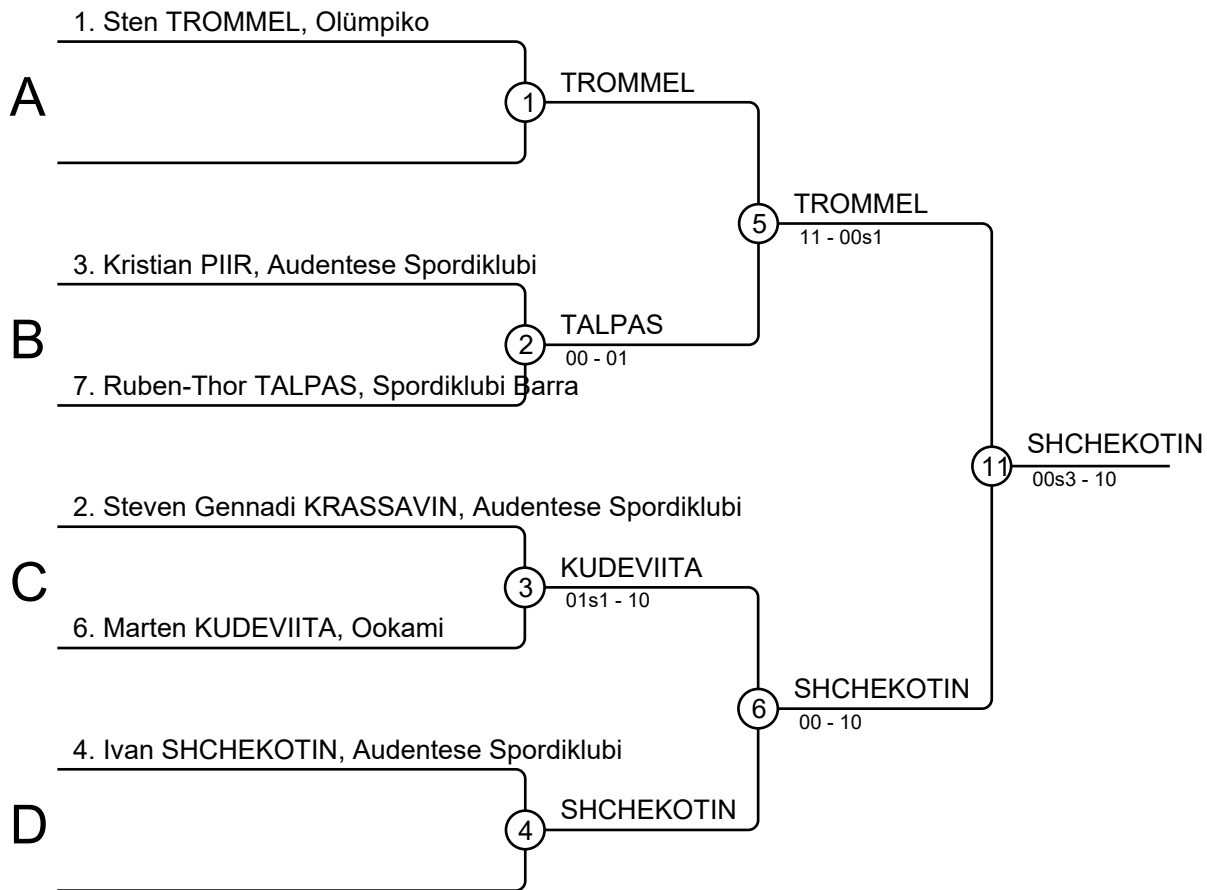
Results

Pos	Name
1	Mattias AAL, Olümpiko
2	Markkus VETTIK, Audentese Spordiklubi
3	Paul-Markus PÕDER, Aitado
3	Kõu Lennart SAAR, Spordiklubi Barra
5	Karl Kaspar TOMBERG, Spordiklubi Barra
5	
7	
7	



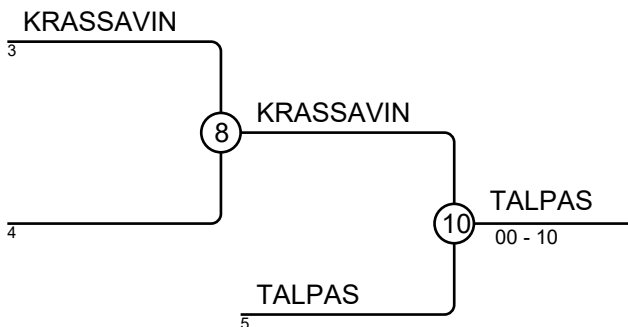
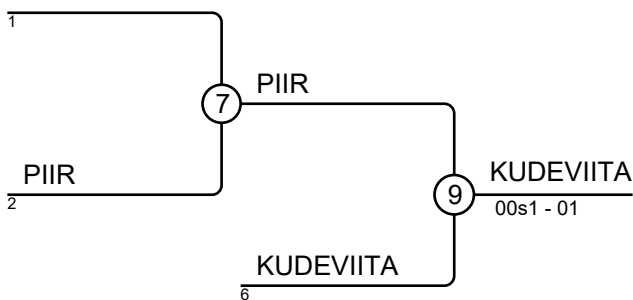
Nord Shiai 01/04/2023 Tallinn MU16-46

Competitors: 6



Results

Pos	Name
1	Ivan SHCHEKOTIN, Audentese Spordiklubi
2	Sten TROMMEL, Olümpiko
3	Marten KUDEVIITA, Ookami
3	Ruben-Thor TALPAS, Spordiklubi Barra
5	Kristian PIIR, Audentese Spordiklubi
5	Steven Gennadi KRASSAVIN, Audentese Spordiklubi
7	
7	



Nord Shiai 01/04/2023 Tallinn MU16-50

Competitors

Competitors: 4

#	Name	Club	1	2	3	4	Wins	Pts	Pos
1	Stepan BUKLOV	Kibuvits judo					0	0	4
2	Kristo KOLOSSOV	Olümpiko	10			1	2	11	2
3	Mattias ERIKSON	Spordiklubi Barra	10	10		10	3	30	1
4	Andris ALLIKOJA	SK Taifu / Viljandi SK	10				1	10	3

Matches

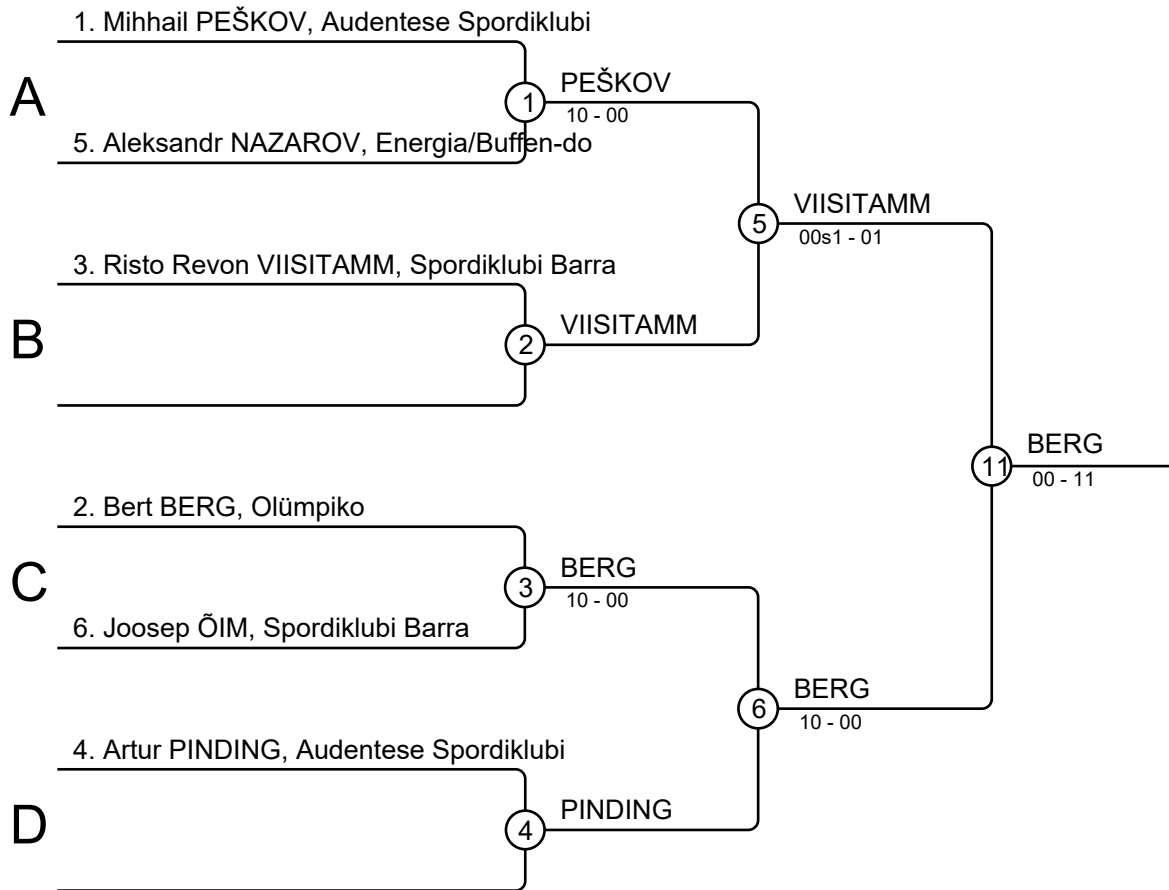
Match	White			Blue	Result	Time
1	Stepan BUKLOV	1	2	Kristo KOLOSSOV	00-10	0:10
2	Mattias ERIKSON	3	4	Andris ALLIKOJA	10-00	1:48
3	Stepan BUKLOV	1	3	Mattias ERIKSON	00-10	0:15
4	Kristo KOLOSSOV	2	4	Andris ALLIKOJA	01-00s1	5:08
5	Stepan BUKLOV	1	4	Andris ALLIKOJA	00-10	0:53
6	Kristo KOLOSSOV	2	3	Mattias ERIKSON	00-10	1:13

Results

Pos	Name
1	Mattias ERIKSON, Spordiklubi Barra
2	Kristo KOLOSSOV, Olümpiko
3	Andris ALLIKOJA, SK Taifu / Viljandi SK
4	Stepan BUKLOV, Kibuvits judo

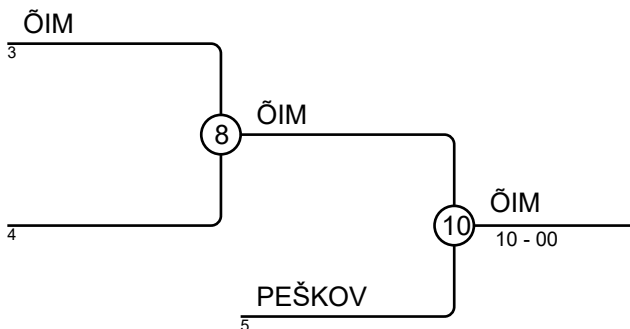
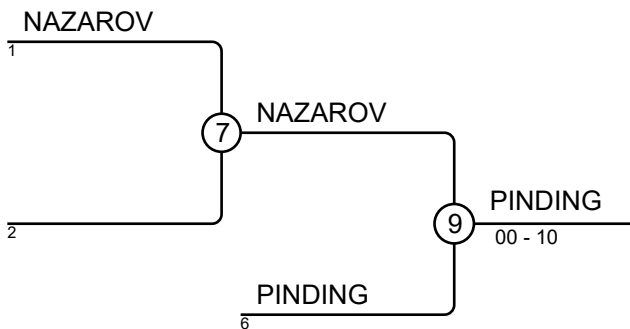
Nord Shiai 01/04/2023 Tallinn MU16-60

Competitors: 6



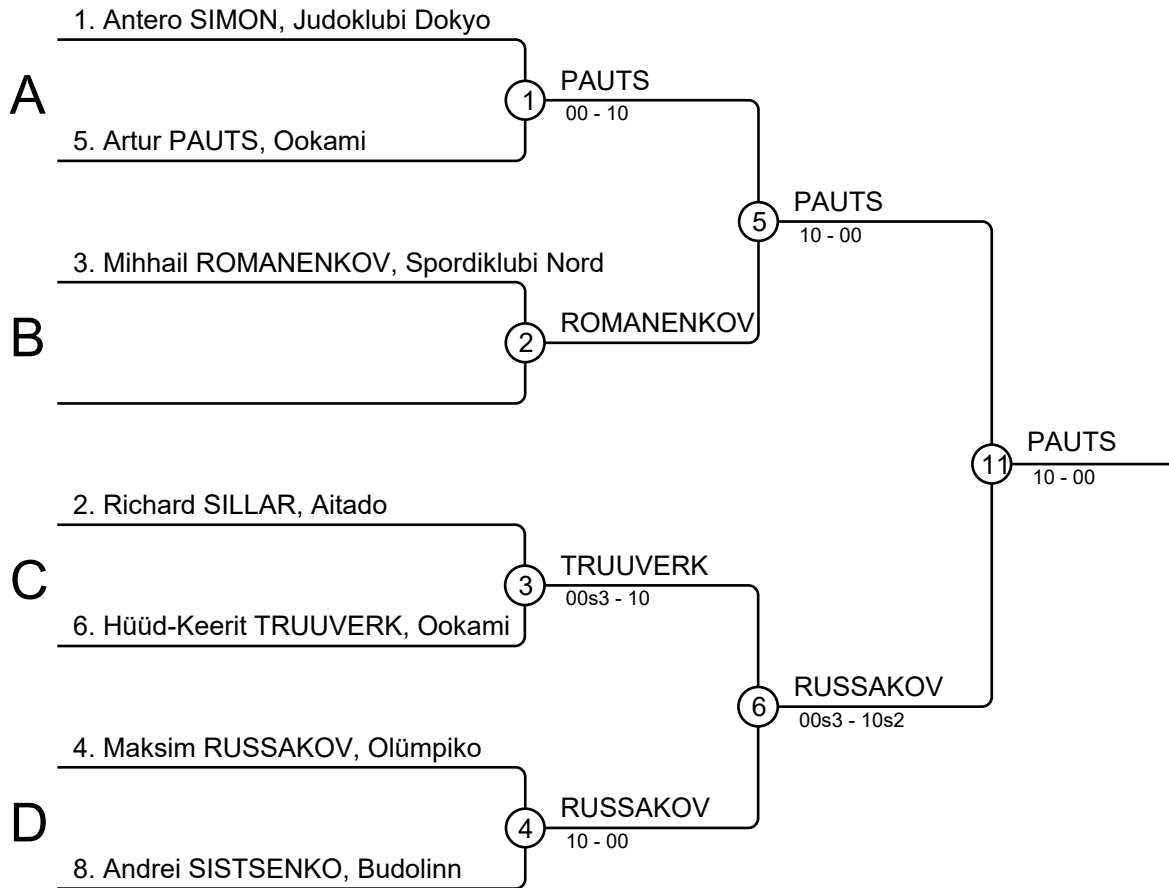
Results

Pos	Name
1	Bert BERG, Olümpiko
2	Risto Revon VIISITAMM, Spordiklubi Barra
3	Artur PINDING, Audentese Spordiklubi Barra
3	Joosep ÕIM, Spordiklubi Barra
5	Aleksandr NAZAROV, Energia/Buffer-do
5	Mihhail PEŠKOV, Audentese Spordiklubi Barra
7	
7	



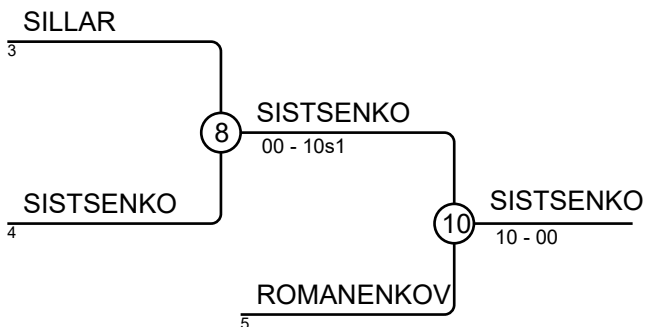
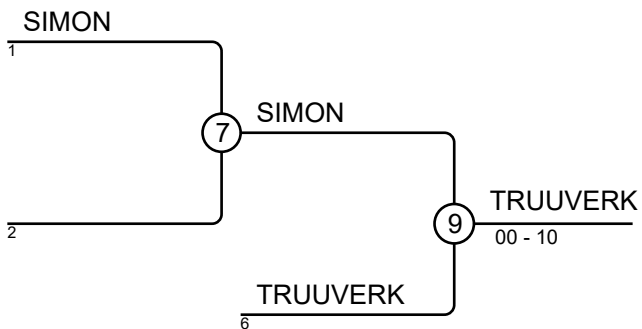
Nord Shiai 01/04/2023 Tallinn MU16-66

Competitors: 7



Results

Pos	Name
1	Artur PAUTS, Ookami
2	Maksim RUSSAKOV, Olümpiko
3	Hүүд-Keerit TRUUVERK, Ookami
3	Andrei SISTSENKO, Budolinn
5	Antero SIMON, Judoklubi Dokyo
5	Mihhail ROMANENKOV, Spordiklubi Nord
7	Richard SILLAR, Aitado



Nord Shiai 01/04/2023 Tallinn MU16-73

Competitors

Competitors: 4

#	Name	Club	1	2	3	4	Wins	Pts	Pos
1	Timur ALIMOV	M-Dojo		10		10	2	20	2
2	Oliver INNO	Ookami				10	1	10	3
3	Ken Marten SAAR	Olümpiko	10	10		10	3	30	1
4	Matvei KARAVAŠKIN	Energia/Bufen-do					0	0	4

Matches

Match	White			Blue	Result	Time
1	Timur ALIMOV	1	2	Oliver INNO	10-00	0:06
2	Ken Marten SAAR	3	4	Matvei KARAVAŠKIN	10-00	0:07
3	Timur ALIMOV	1	3	Ken Marten SAAR	01-10	1:13
4	Oliver INNO	2	4	Matvei KARAVAŠKIN	11-00	0:23
5	Timur ALIMOV	1	4	Matvei KARAVAŠKIN	10-00	0:00
6	Oliver INNO	2	3	Ken Marten SAAR	00-11	2:09

Results

Pos	Name
1	Ken Marten SAAR, Olümpiko
2	Timur ALIMOV, M-Dojo
3	Oliver INNO, Ookami
4	Matvei KARAVAŠKIN, Energia/Bufen-do

Nord Shiai 01/04/2023 Tallinn MU16-81

Competitors

Competitors: 3

#	Name	Club	1	2	3	Wins	Pts	Pos
1	Ken-Kermo KOORT	Aitado		10	10	2	20	1
2	Georg Samuel JÜRGENSON	Ookami				0	0	3
3	Aleksander BUDASOV	Olümpiko		10		1	10	2

Matches

Match	White			Blue	Result	Time
1	Ken-Kermo KOORT	1	2	Georg Samuel JÜRGENSON	10-00	0:10
2	Ken-Kermo KOORT	1	3	Aleksander BUDASOV	10-00	0:54
3	Georg Samuel JÜRGENSON	2	3	Aleksander BUDASOV	00-10	0:39

Results

Pos	Name
1	Ken-Kermo KOORT, Aitado
2	Aleksander BUDASOV, Olümpiko
3	Georg Samuel JÜRGENSON, Ookami

Nord Shiai 01/04/2023 Tallinn MU16+81

Competitors

Competitors: 2

#	Name	Club	1	2	1	2	1	2	Wins	Pts	Pos
1	Andri VOLTRE	Rapla Judoklubi							0	0	2
2	Ralf Eugen AINLA	Audentese Spordiklubi	10		10				2	20	1

Matches

Match	White			Blue	Result	Time
1	Andri VOLTRE	1	2	Ralf Eugen AINLA	00-10	0:51
2	Andri VOLTRE	1	2	Ralf Eugen AINLA	00-10	0:25
3	Andri VOLTRE	1	2	Ralf Eugen AINLA		

Results

Pos	Name
1	Ralf Eugen AINLA, Audentese Spordiklubi
2	Andri VOLTRE, Rapla Judoklubi